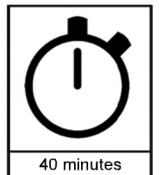
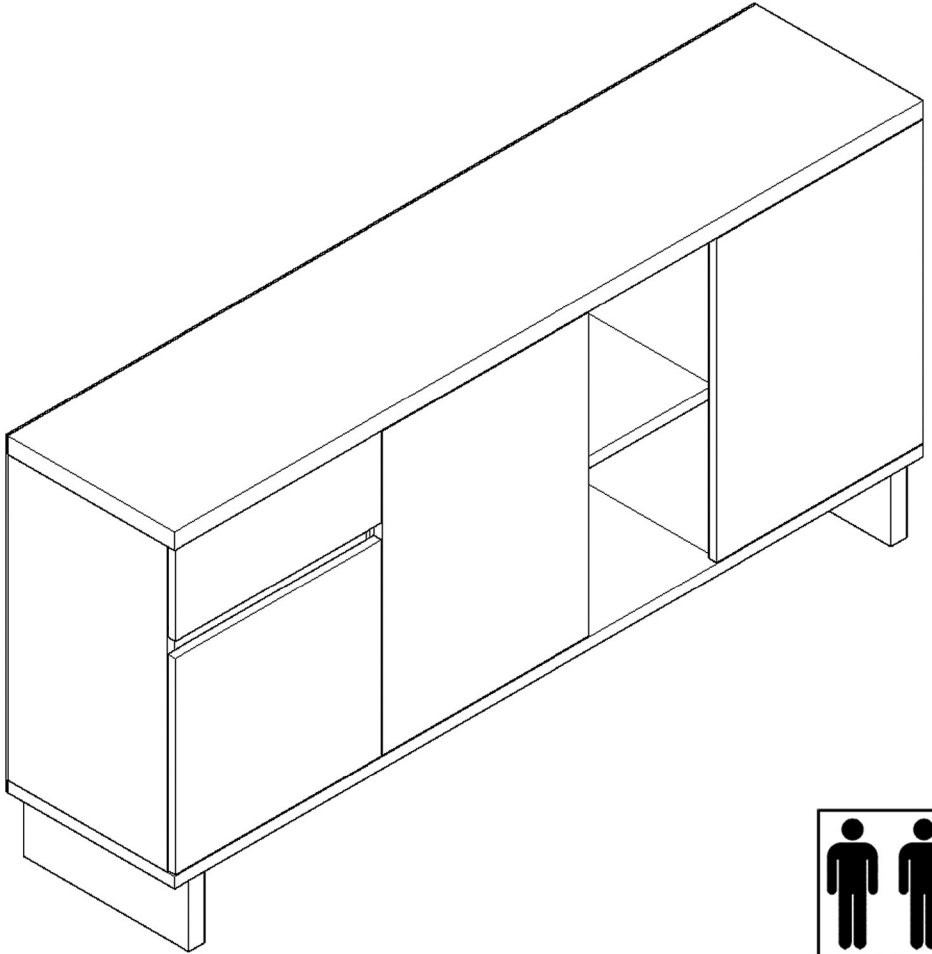
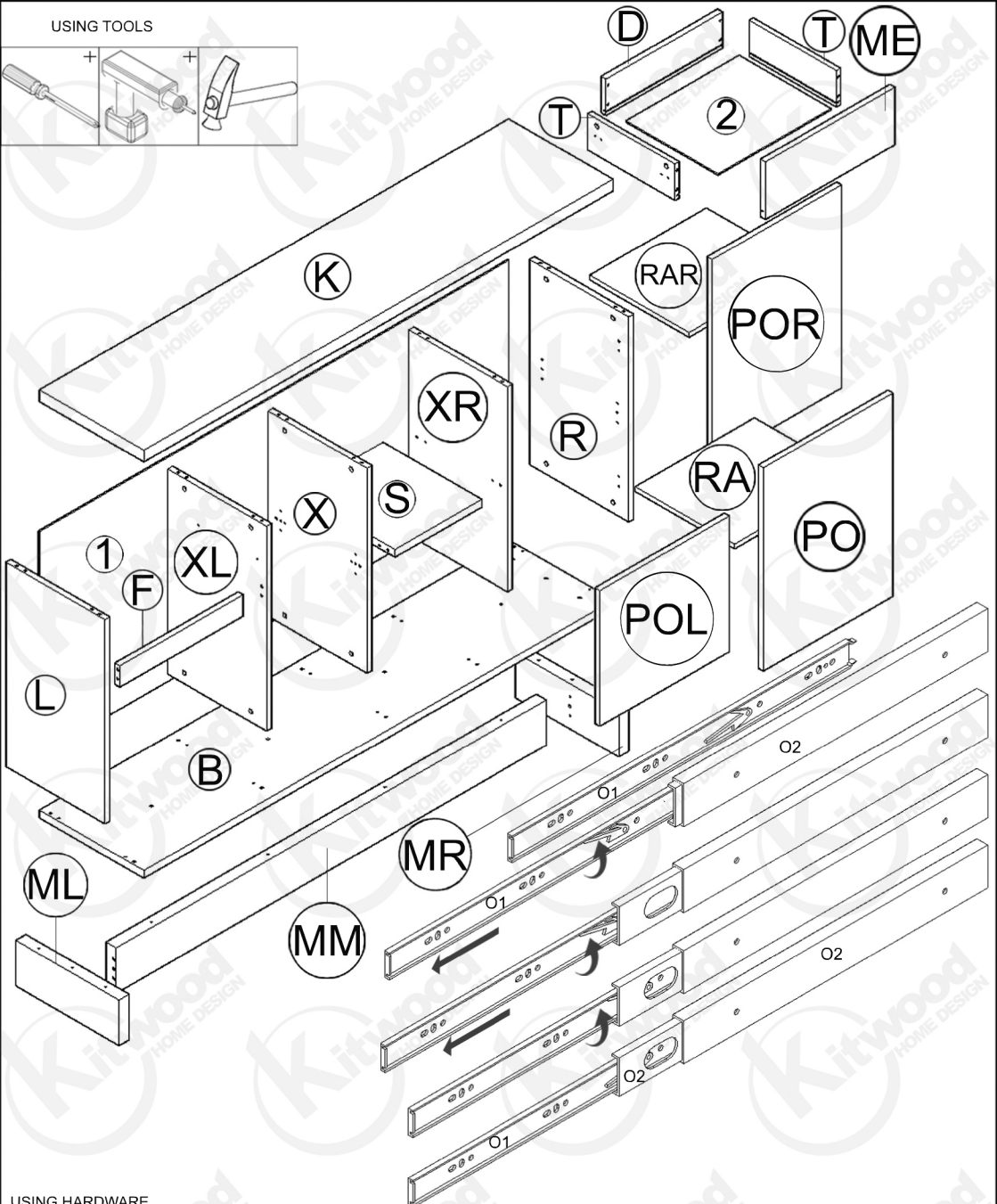
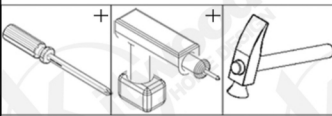


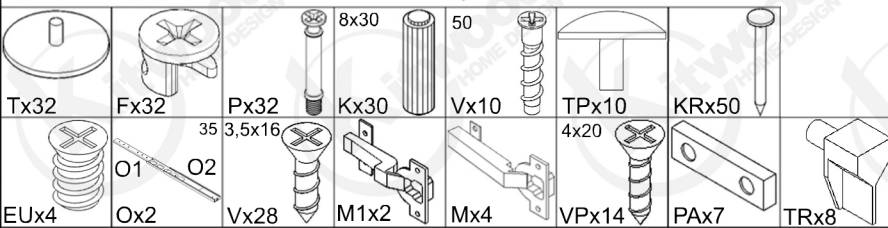
ADK 1033

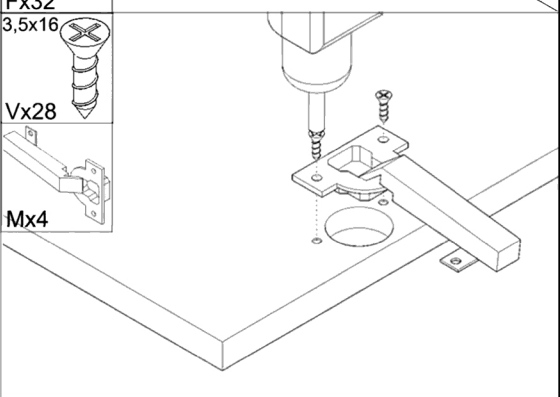
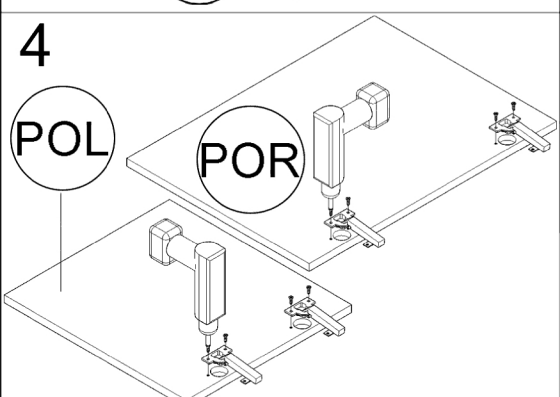
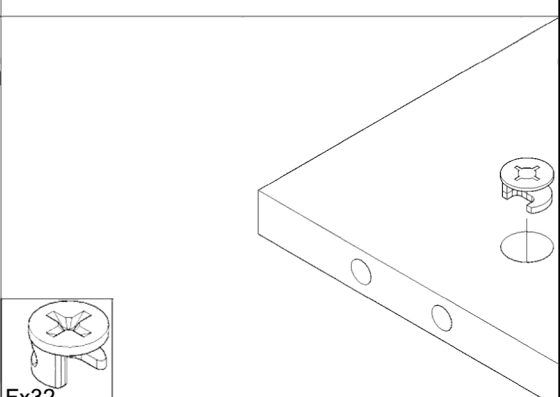
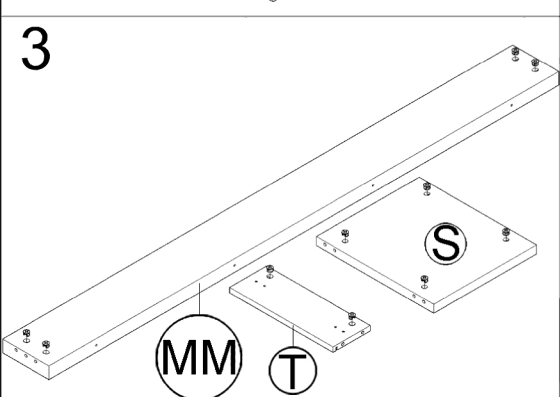
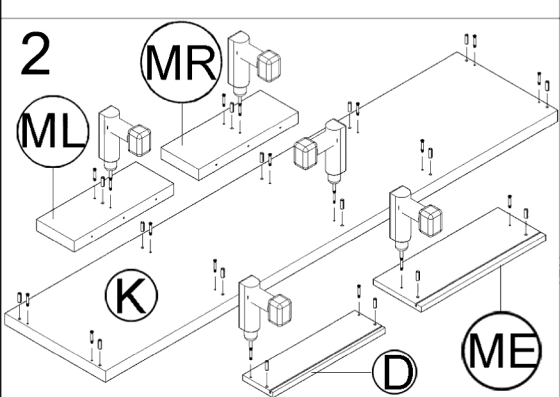
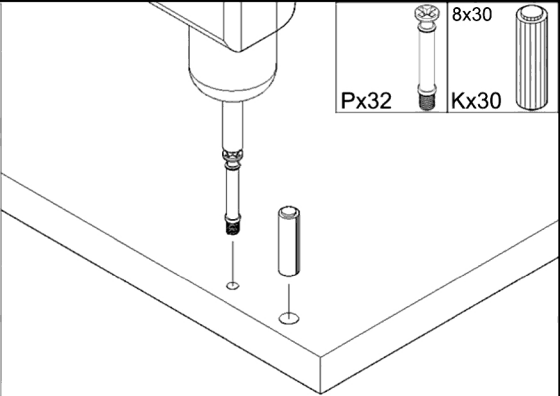
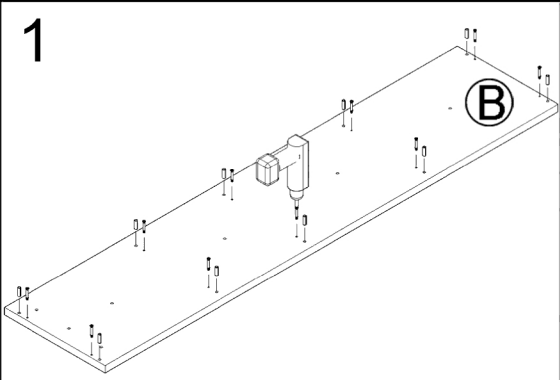


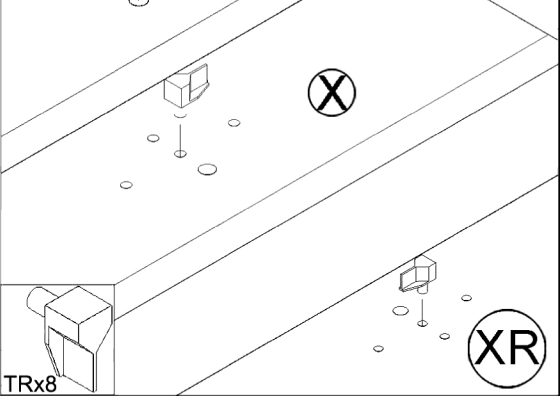
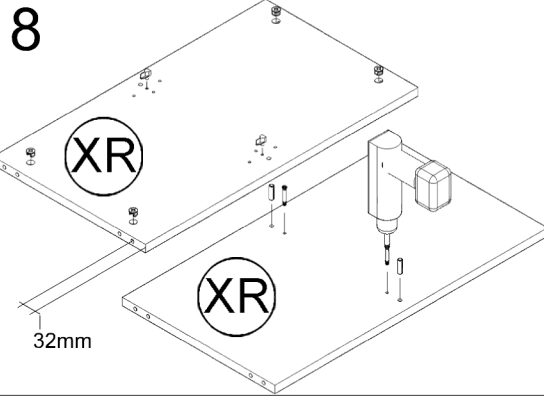
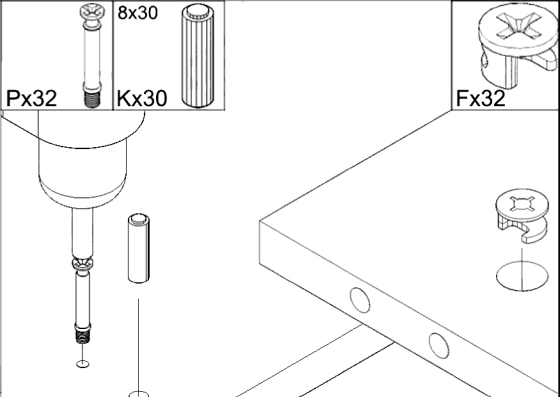
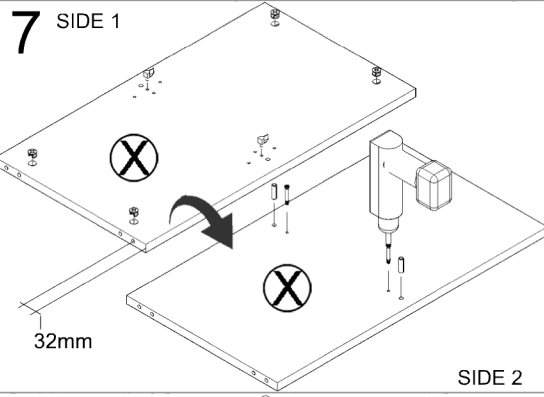
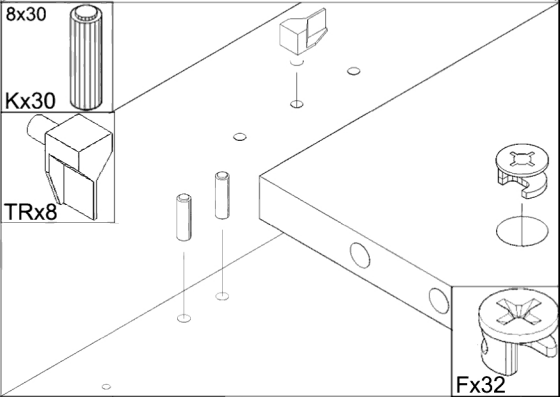
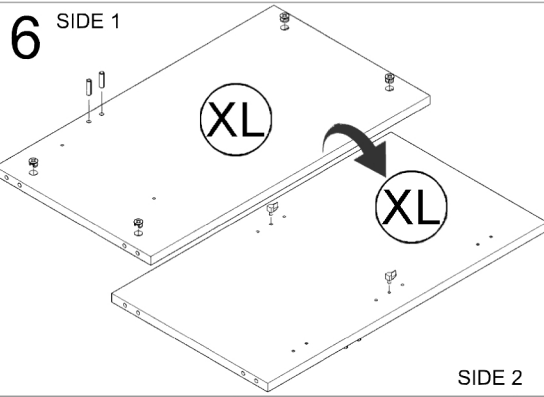
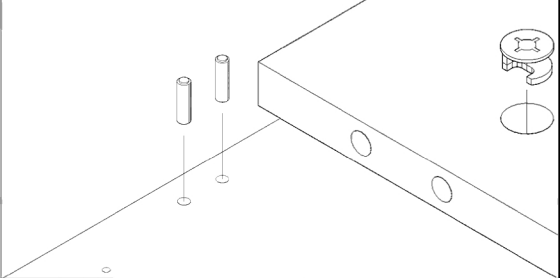
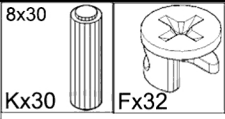
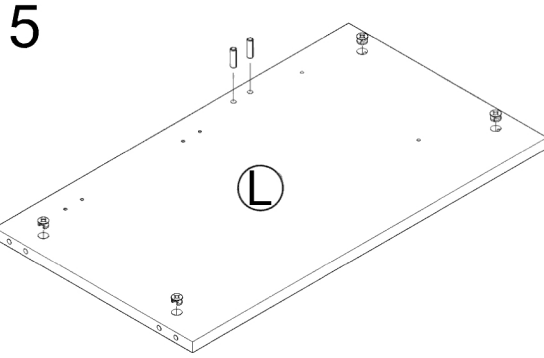
USING TOOLS



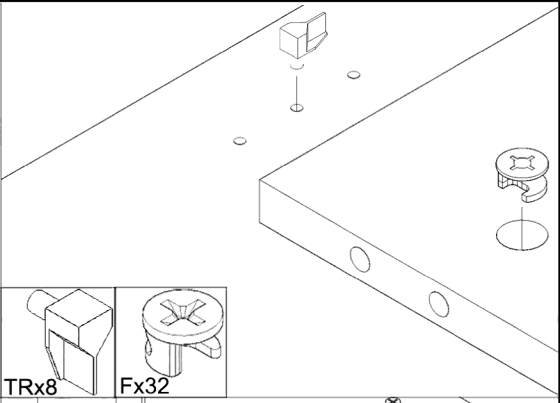
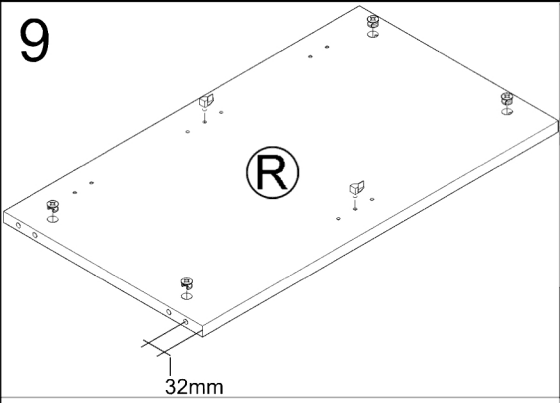
USING HARDWARE



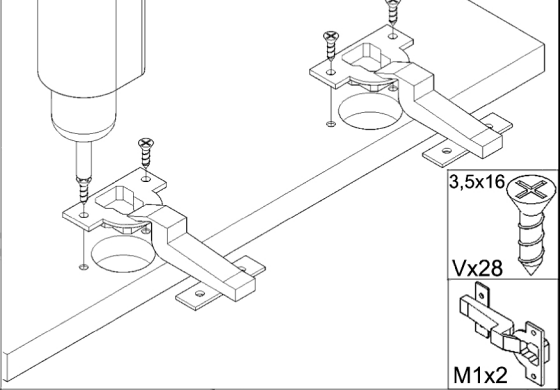
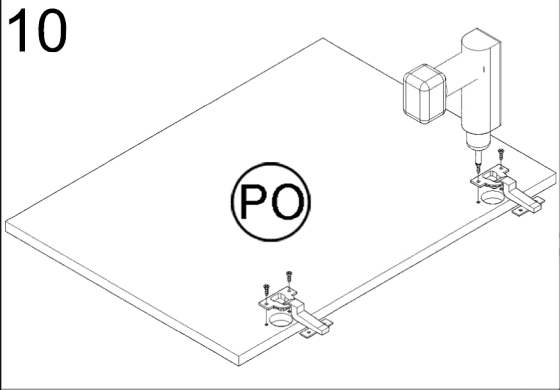




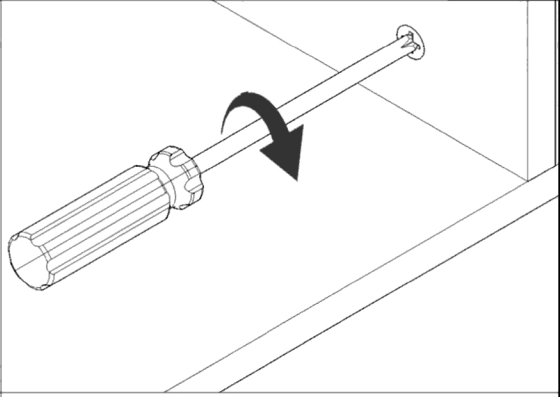
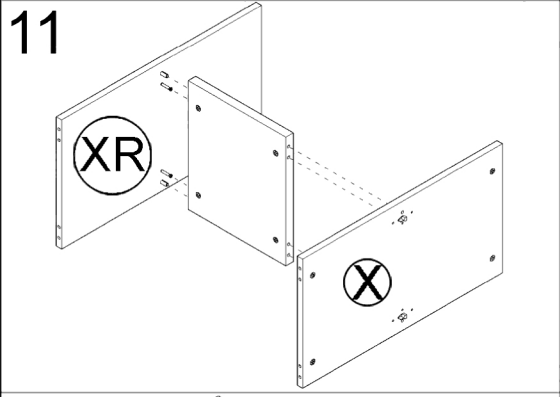
9



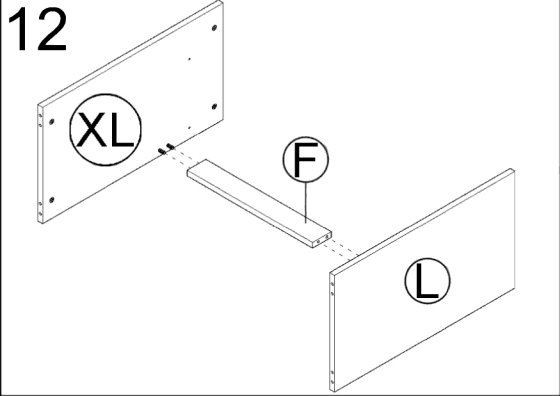
10

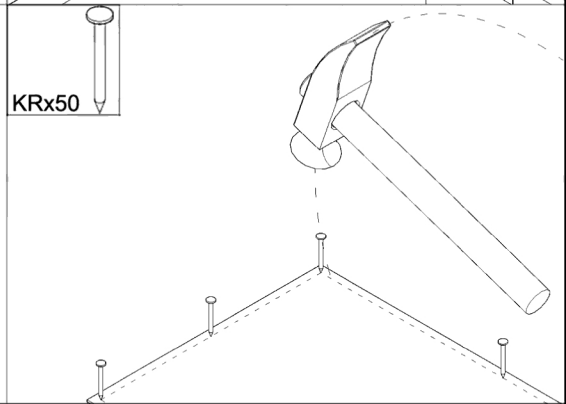
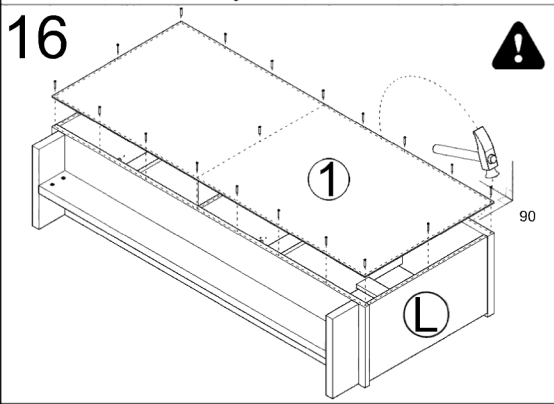
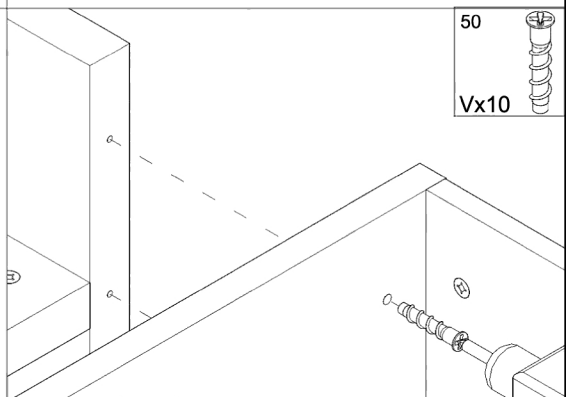
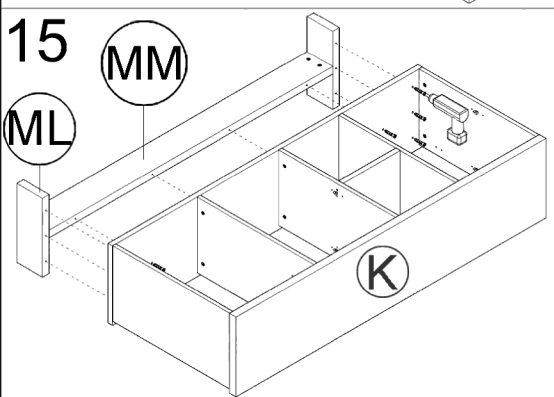
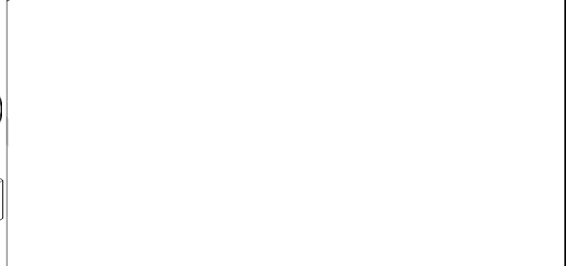
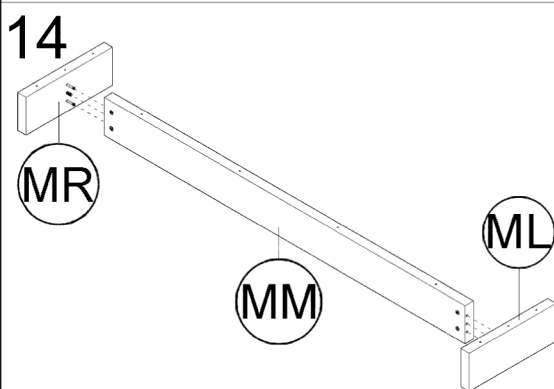
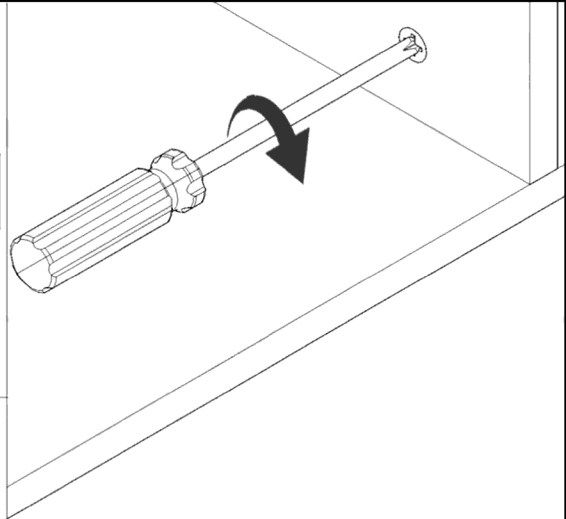
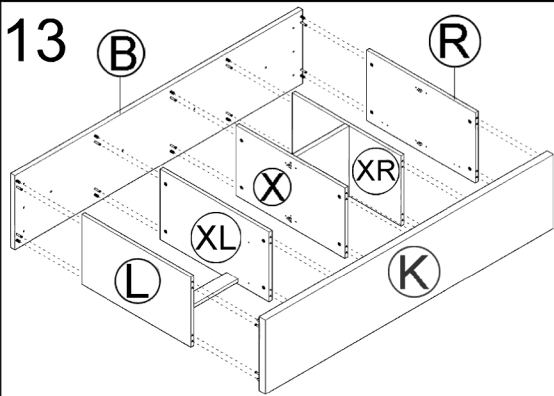


11

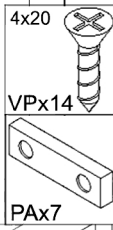
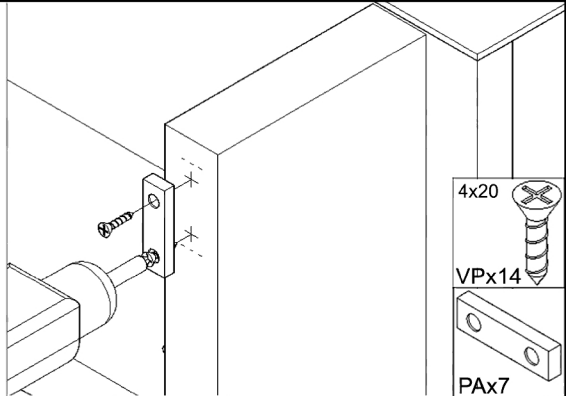
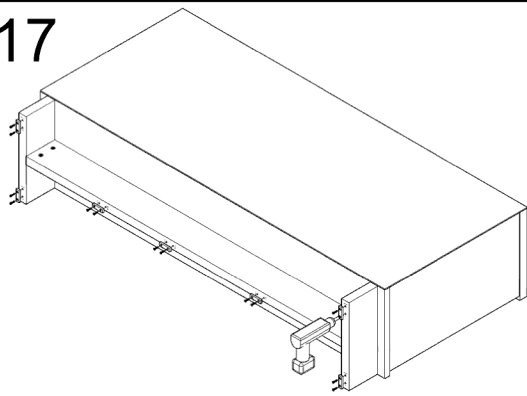


12

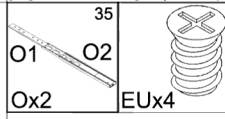
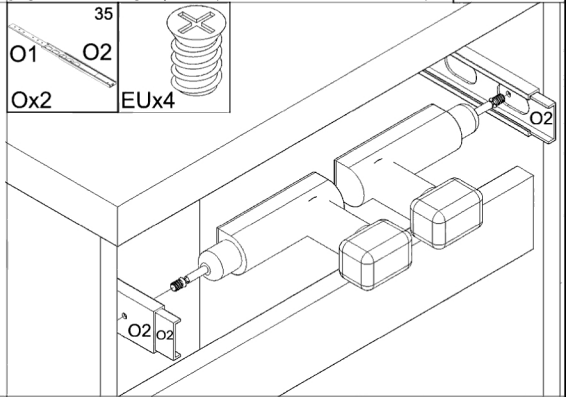
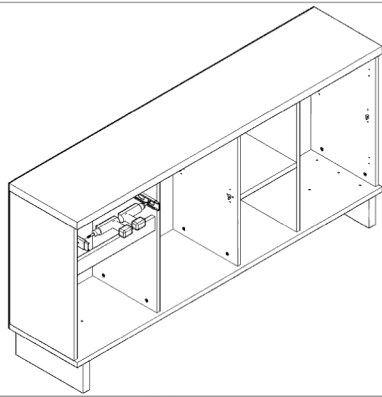




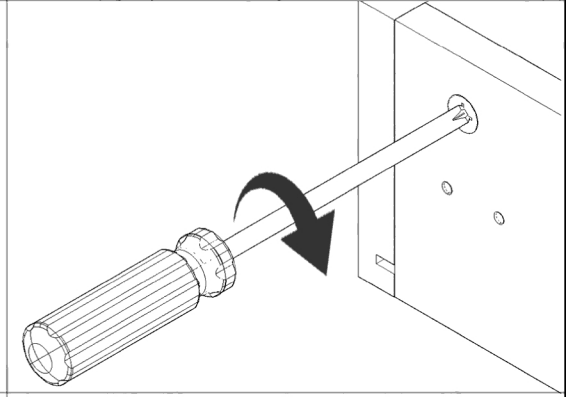
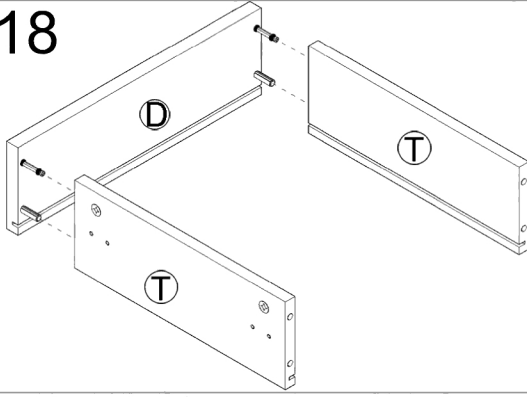
17



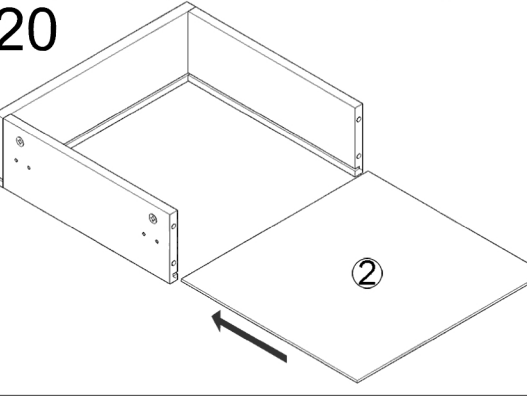
18



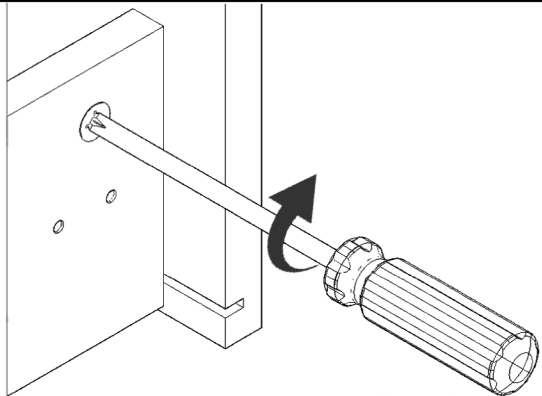
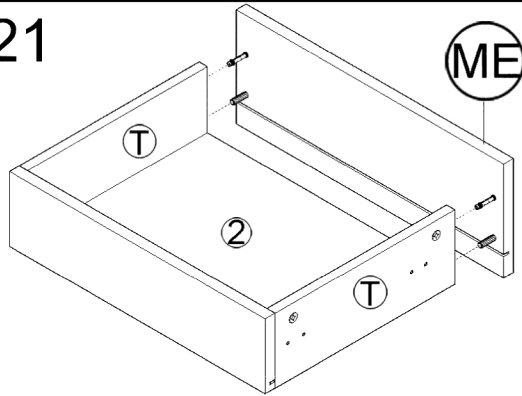
18



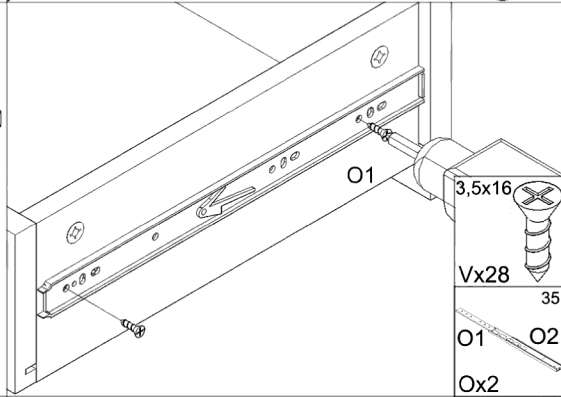
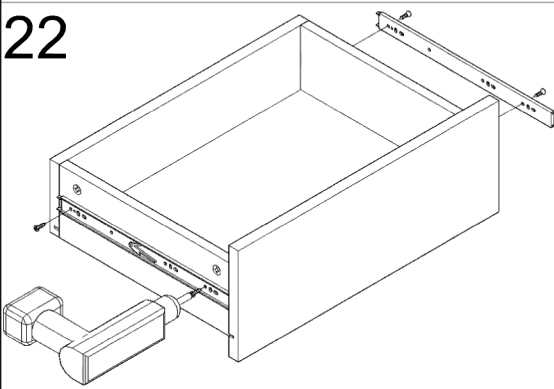
20



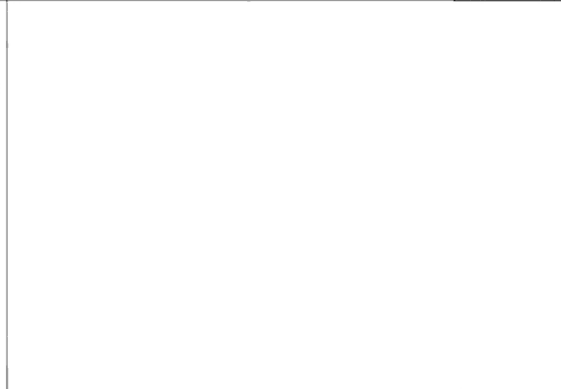
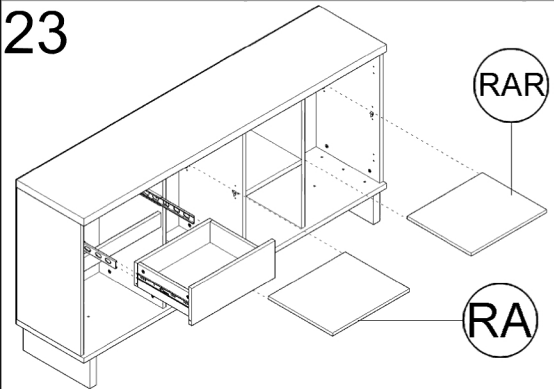
21



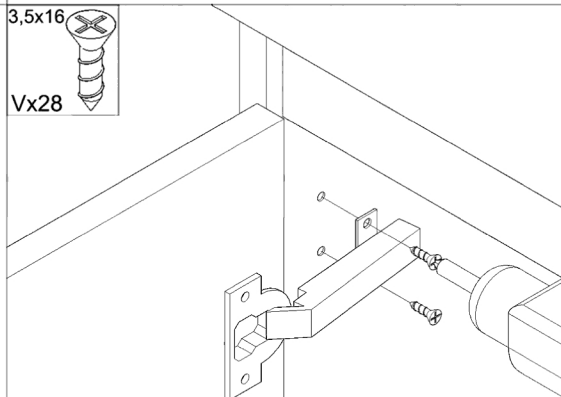
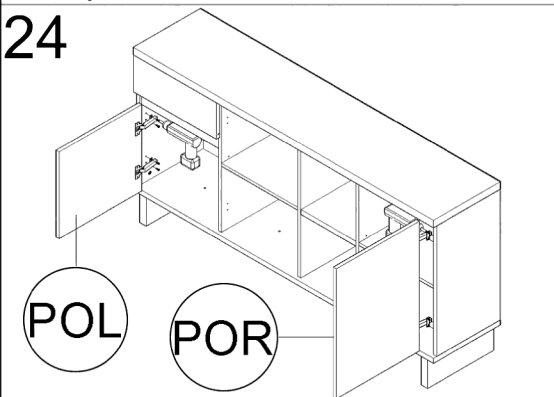
22



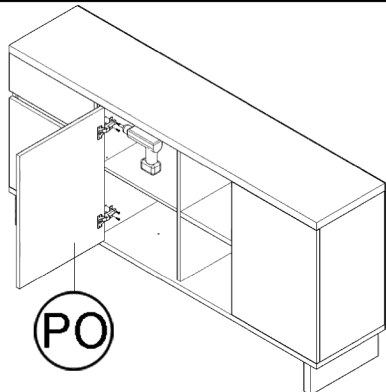
23



24



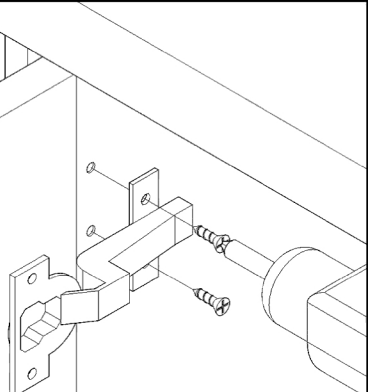
25



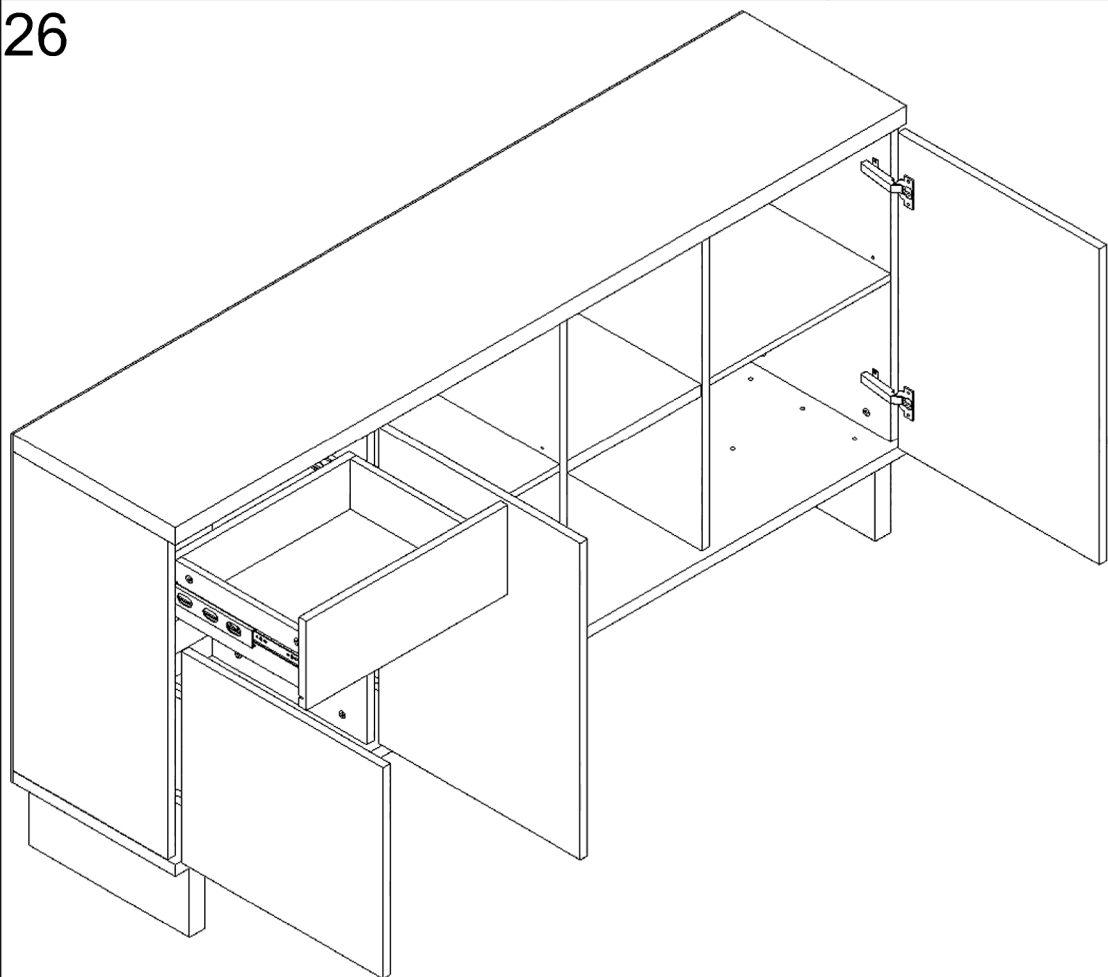
3,5x16



Vx28

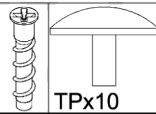


26

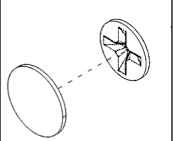


PLASTIC COVER CAPS

50
Vx10

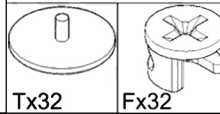


TPx10



PLASTIC COVER CAPS

Tx32



Fx32

