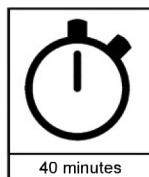
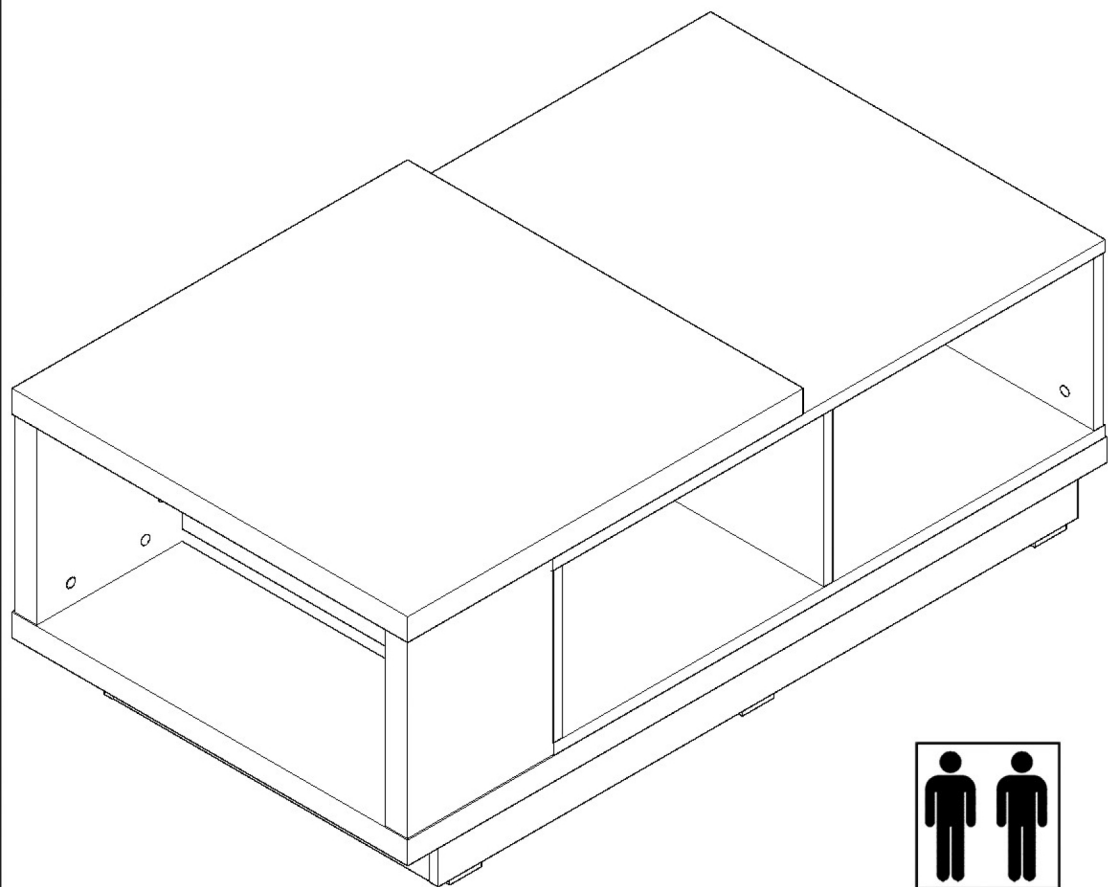
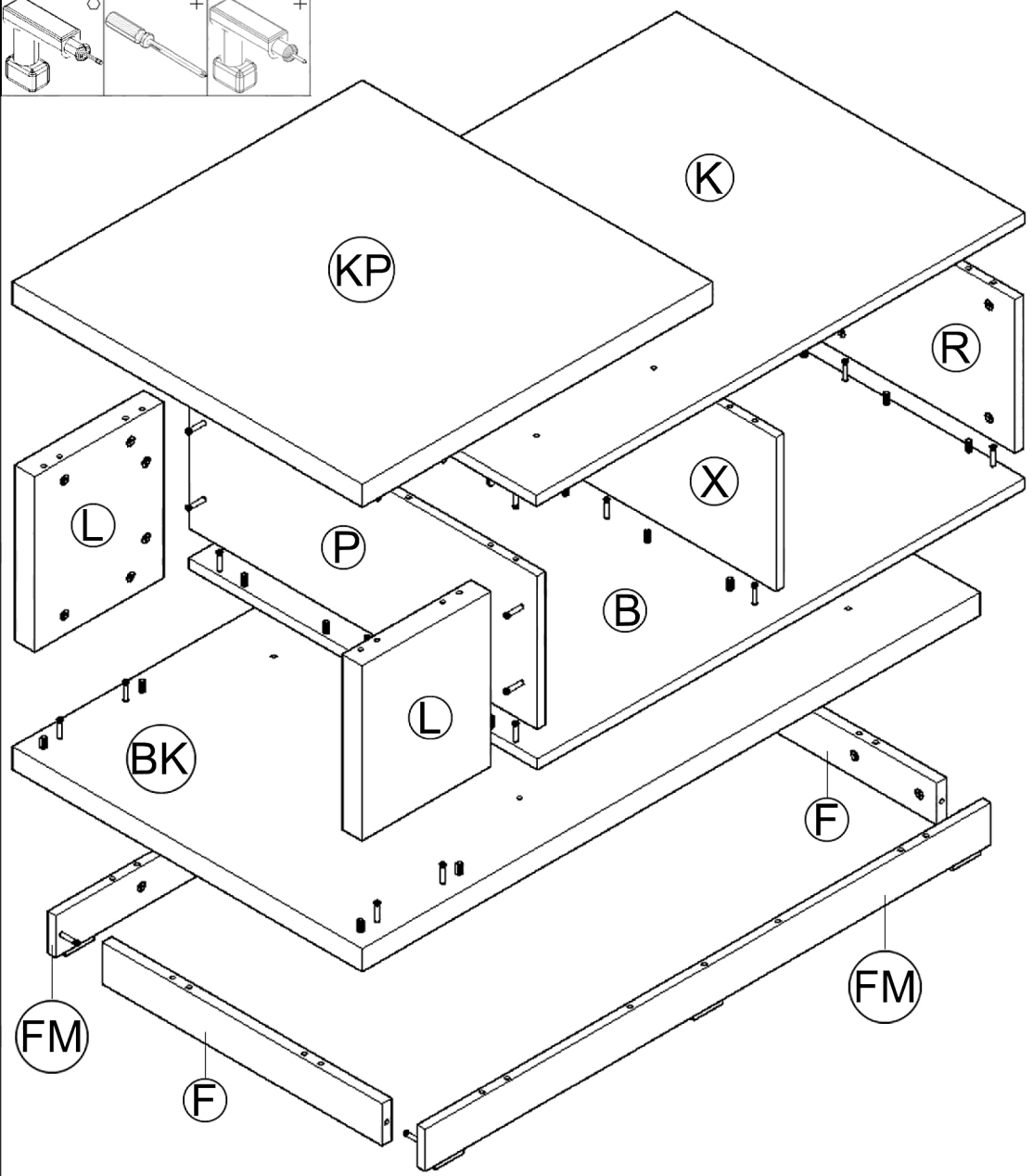
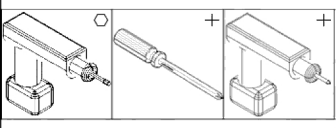


ADK 146

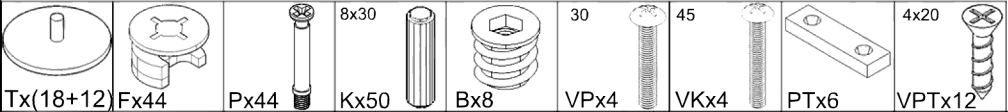


40 minutes

USING TOOLS

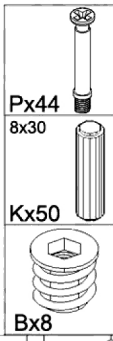
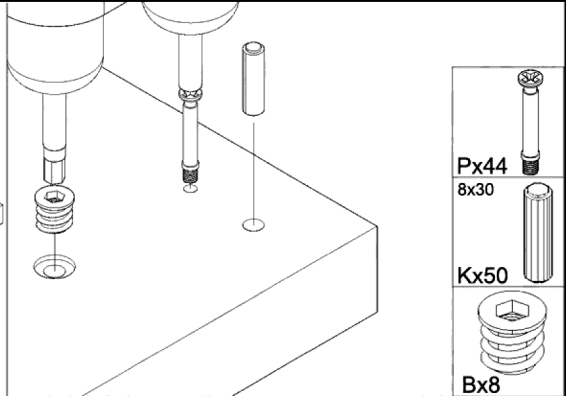
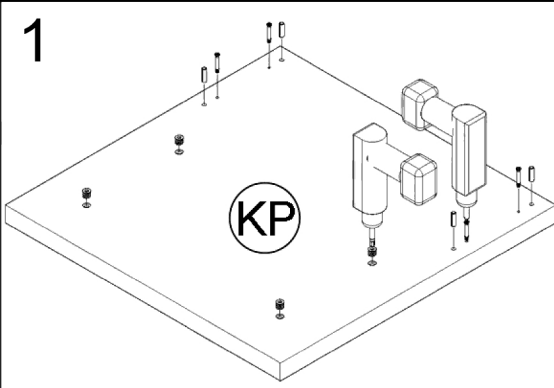


USING HARDWARE

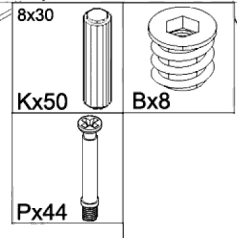
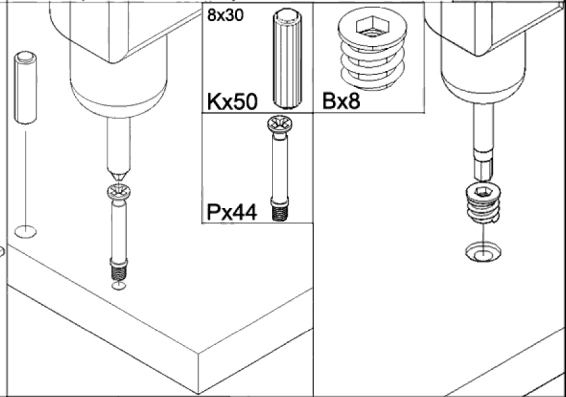
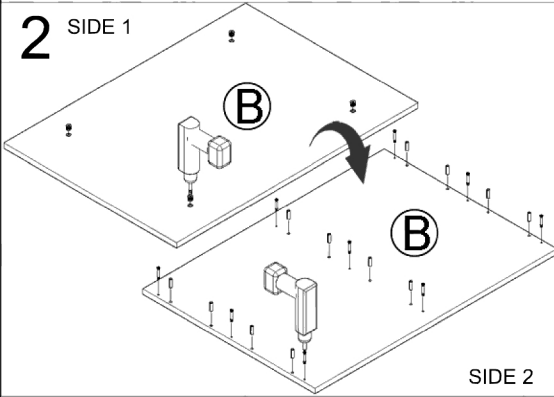


Tx(18+12) Fx44 Px44 8x30 Kx50 Bx8 VPx4 45 VKx4 PTx6 4x20 VPTx12

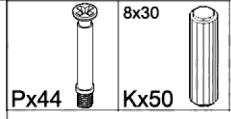
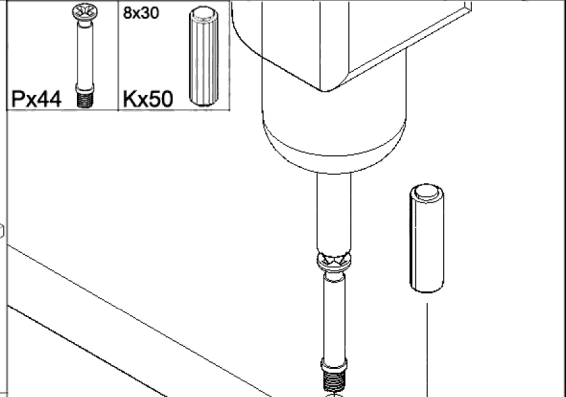
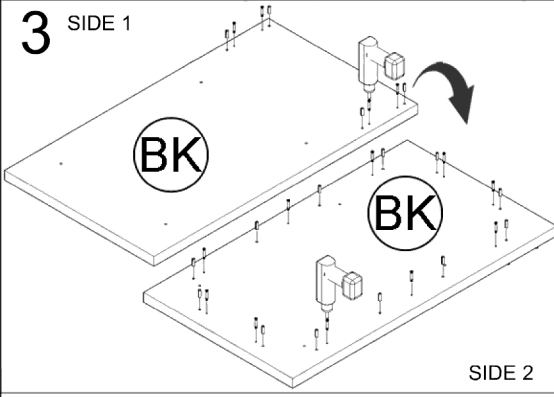
1



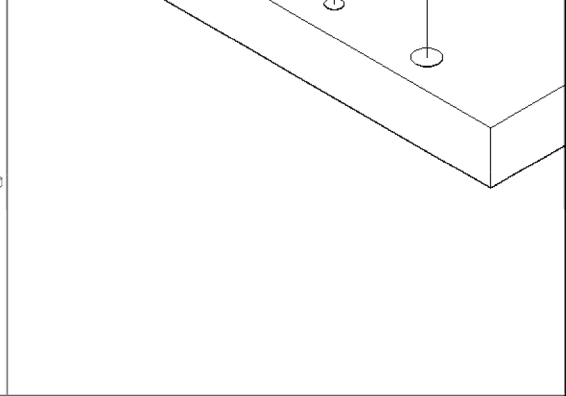
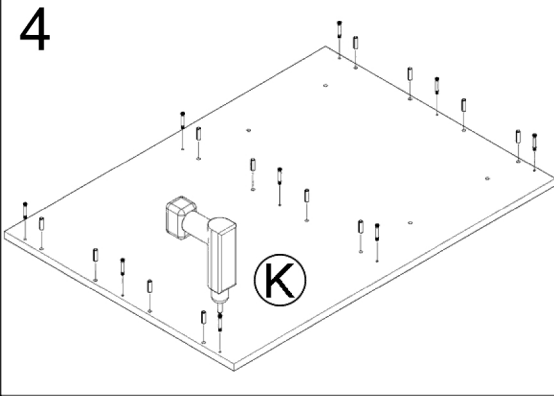
2 SIDE 1

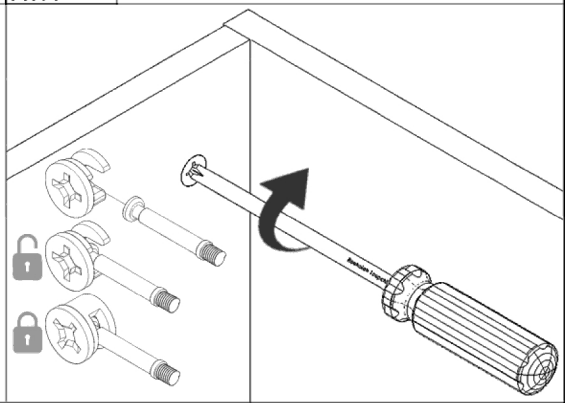
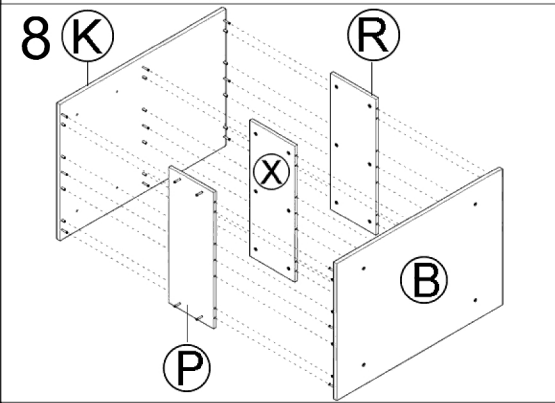
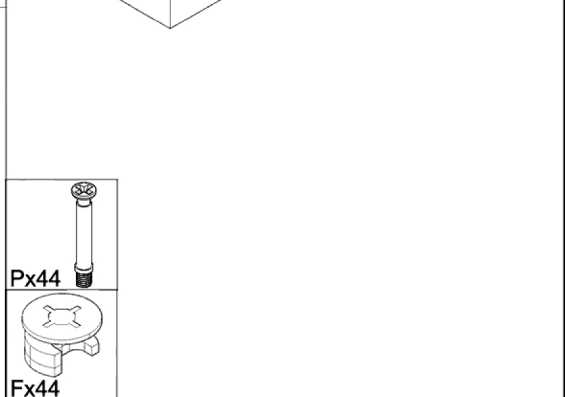
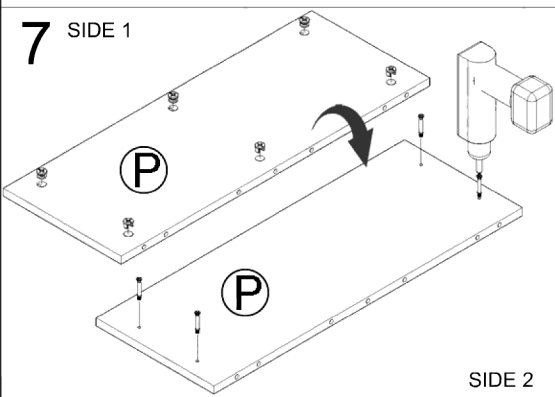
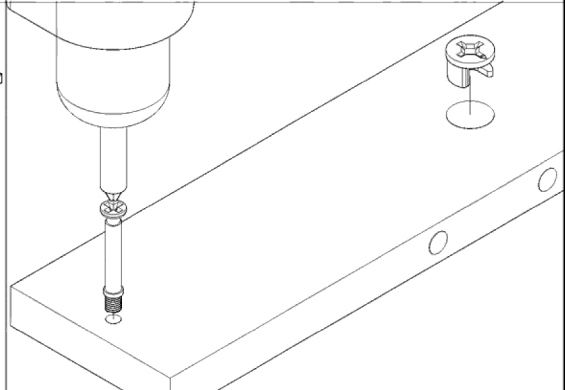
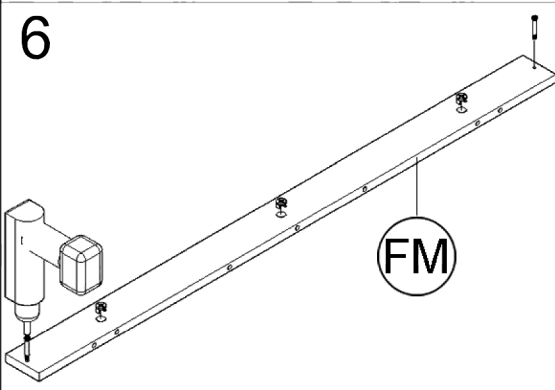
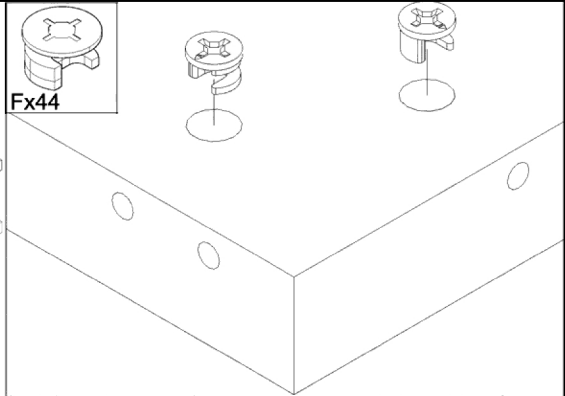
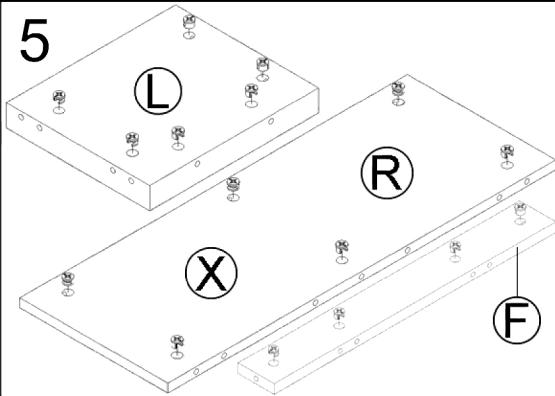


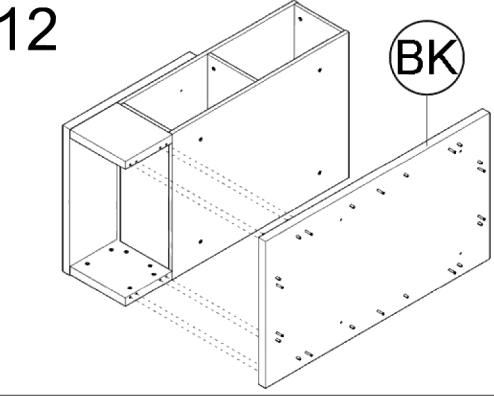
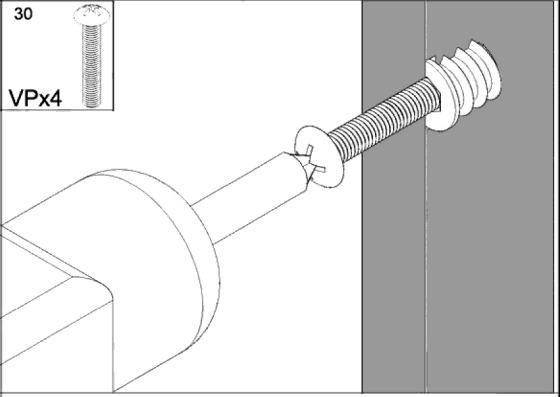
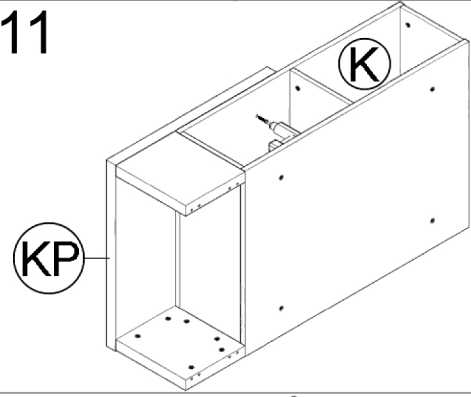
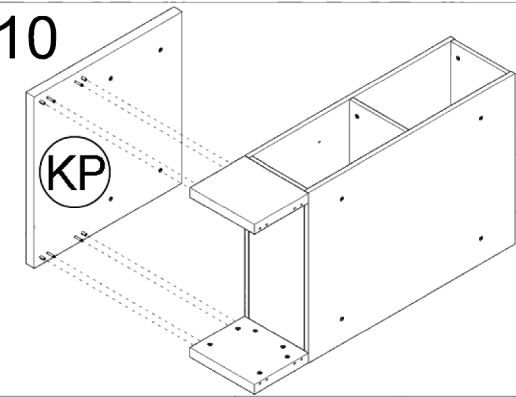
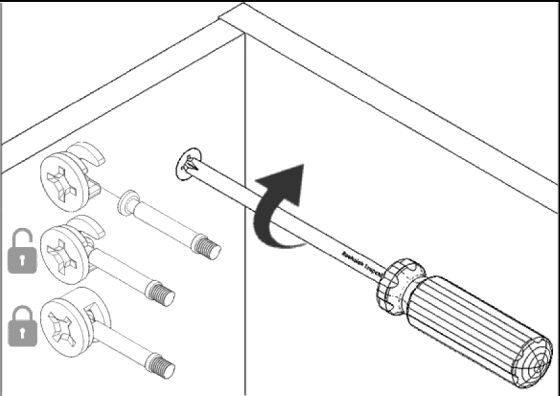
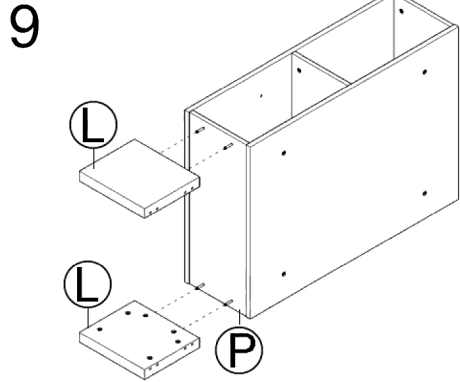
3 SIDE 1



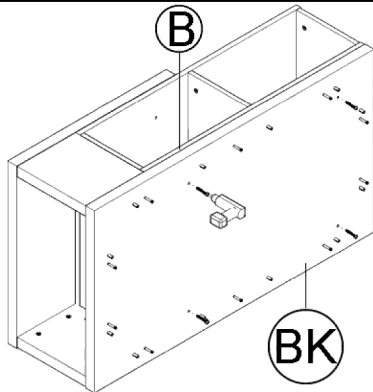
4





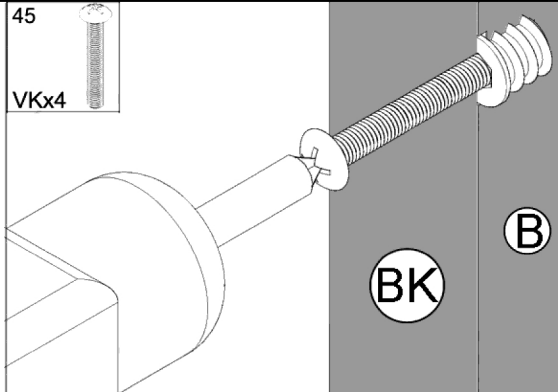


13

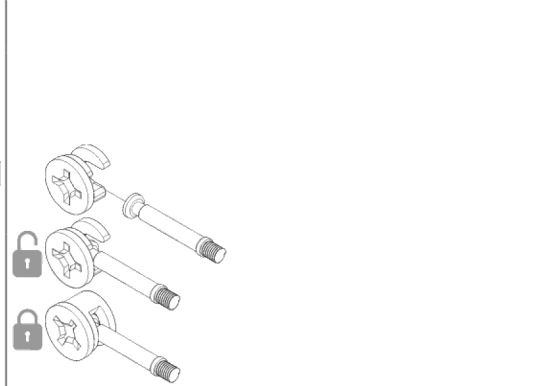
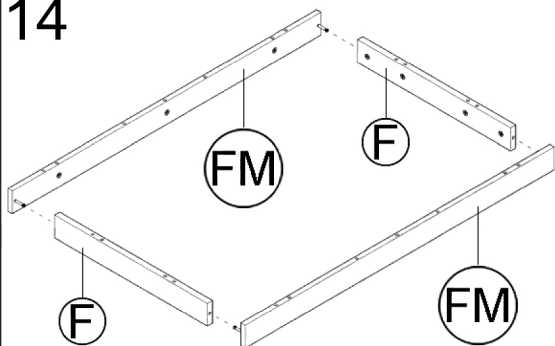


45

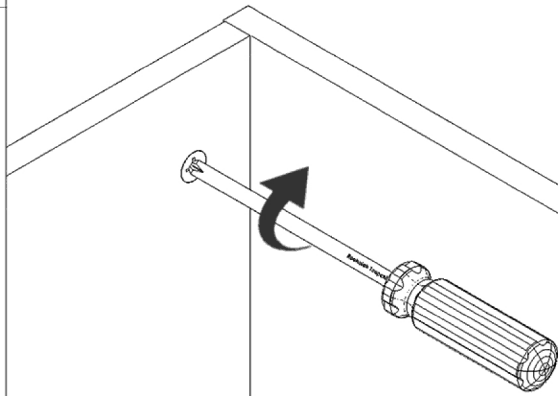
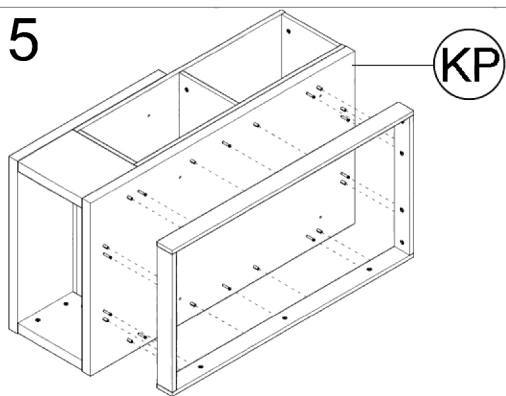
VKx4



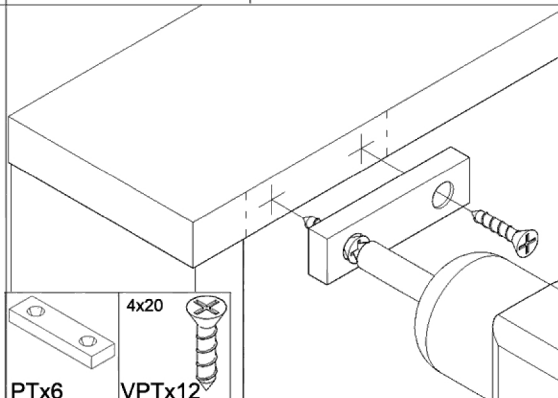
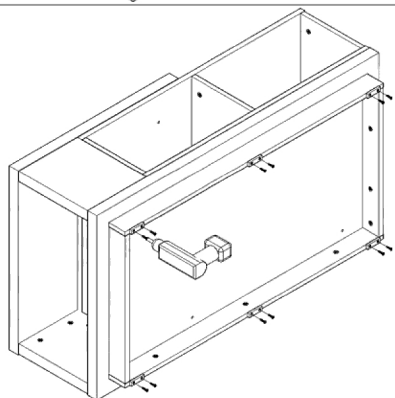
14



15



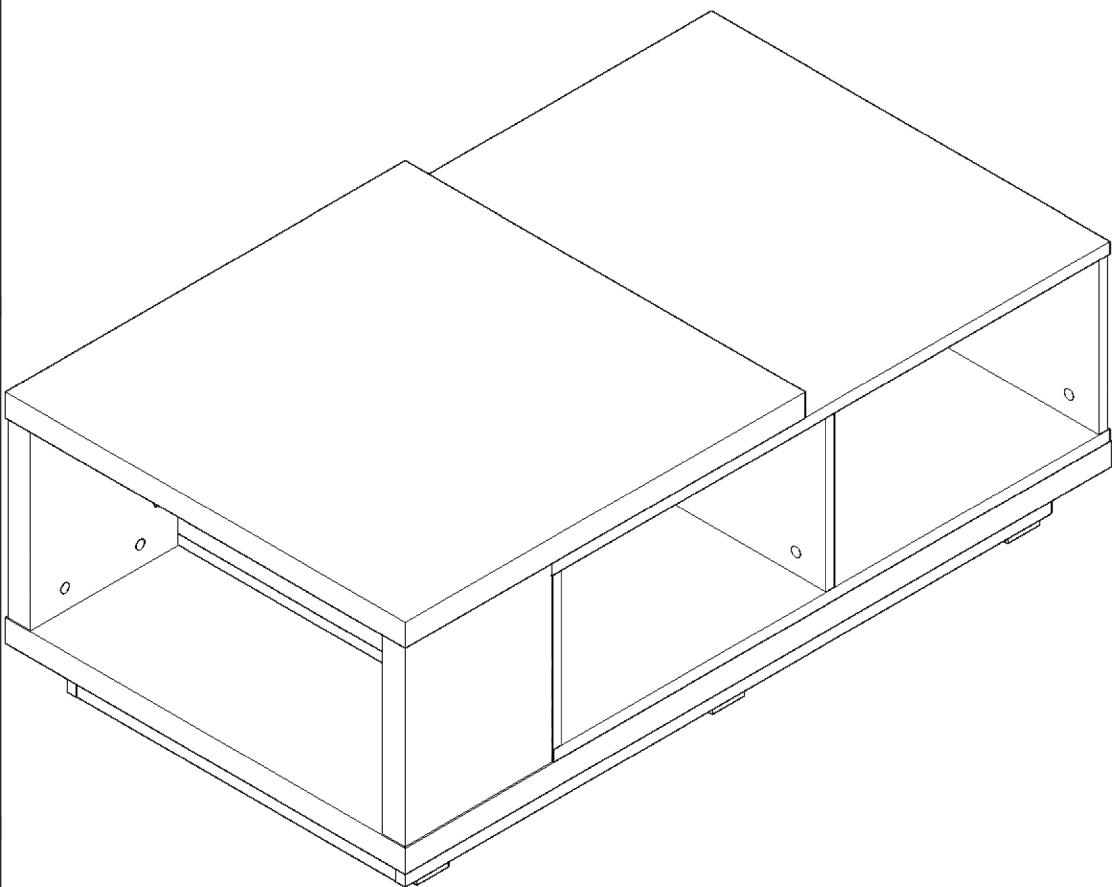
16



PTx6

4x20

VPTx12



PLASTIC COVER CAPS



Tx(18+12) Fx44

