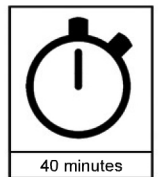
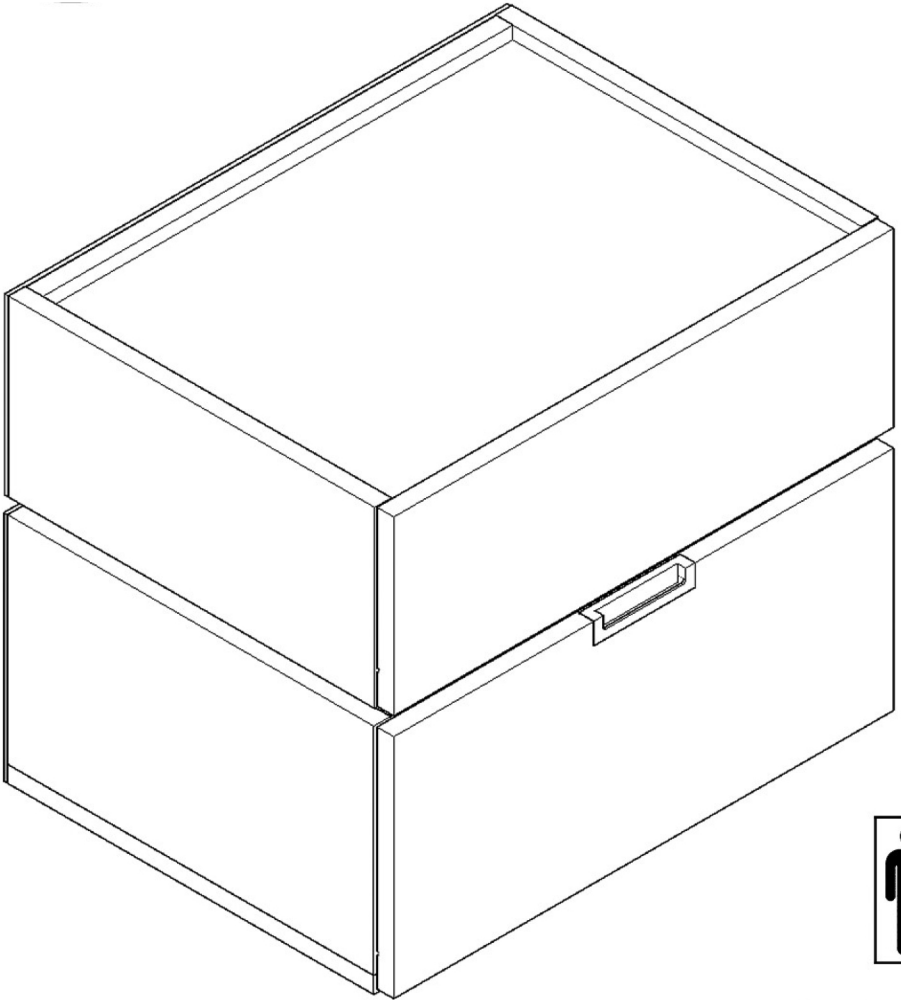
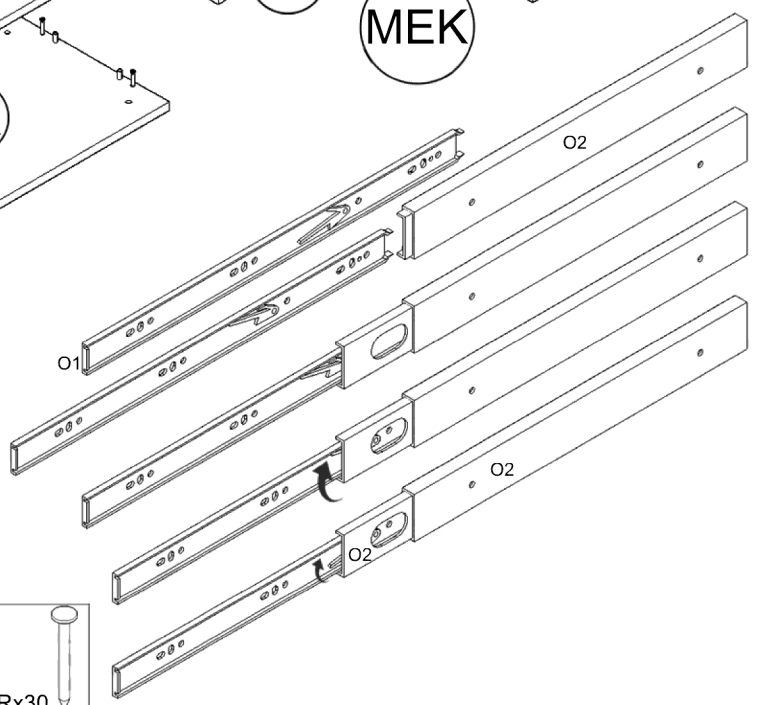
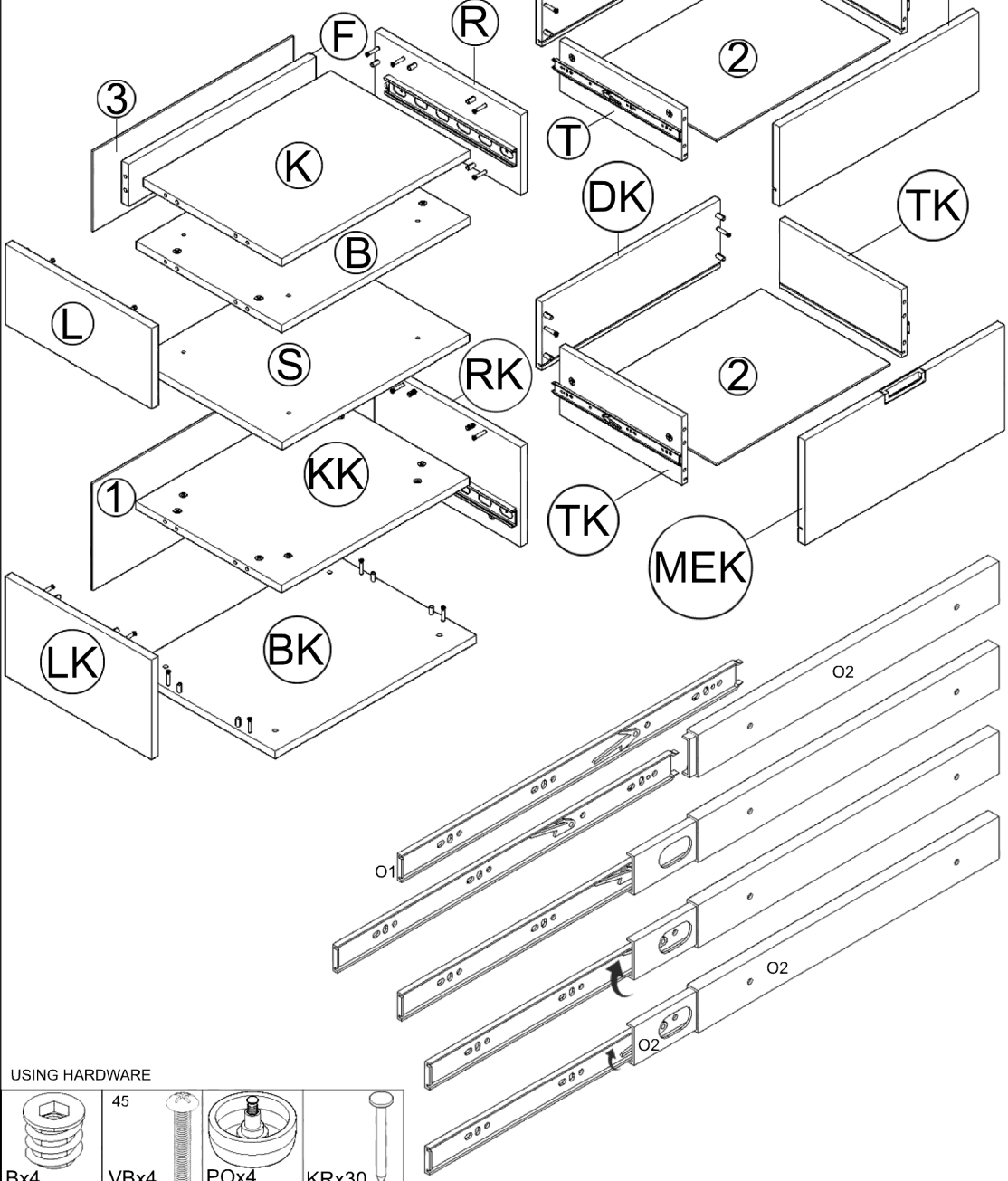
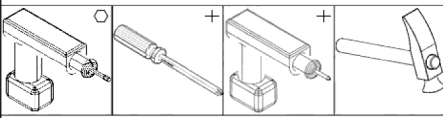


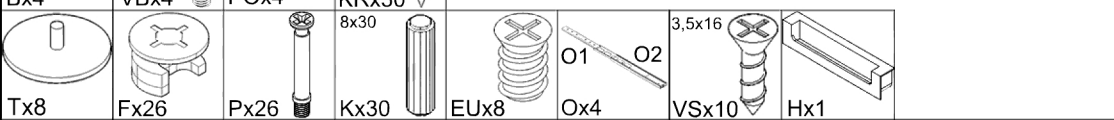
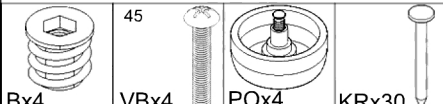
ADK 326



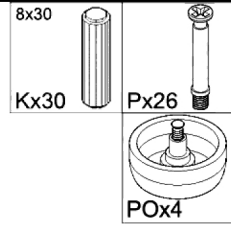
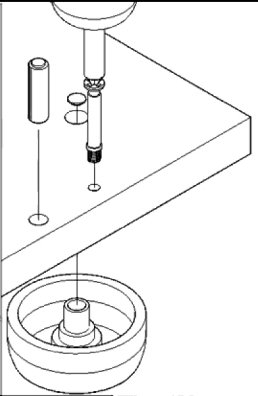
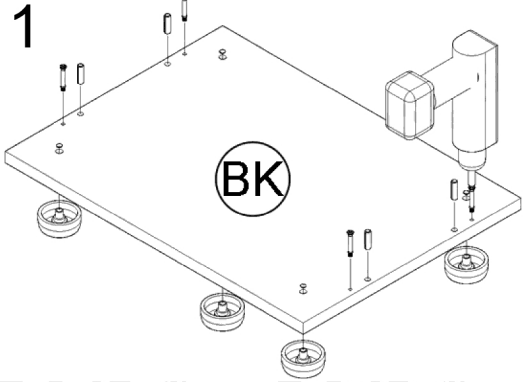
USING TOOLS



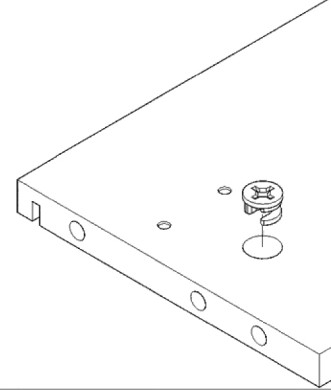
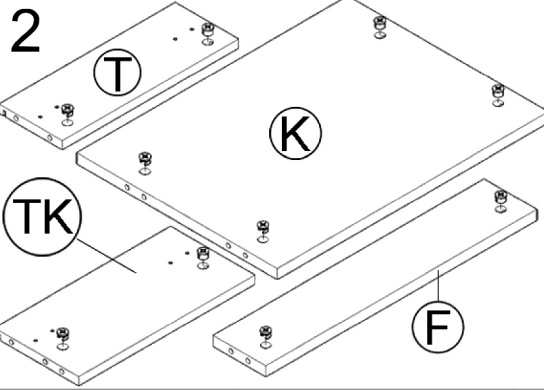
USING HARDWARE



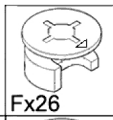
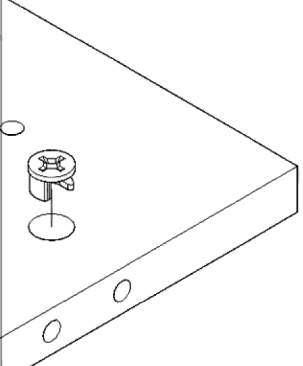
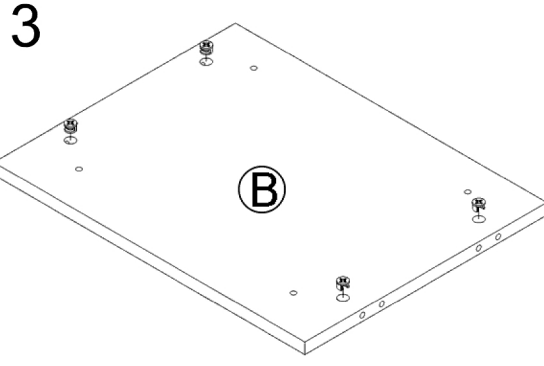
1



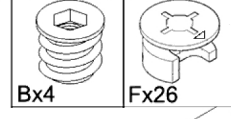
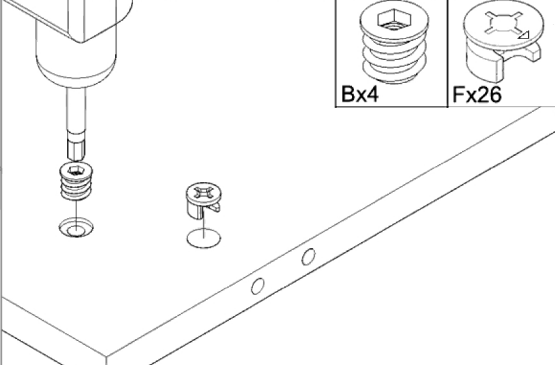
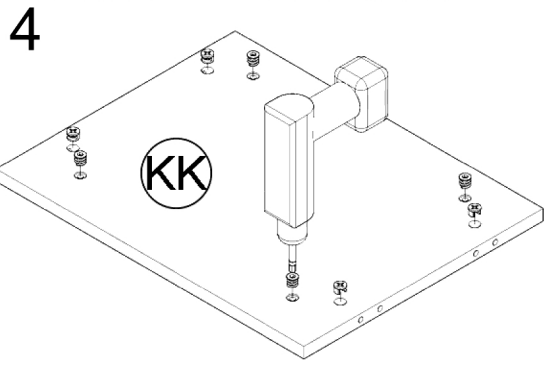
2

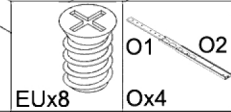
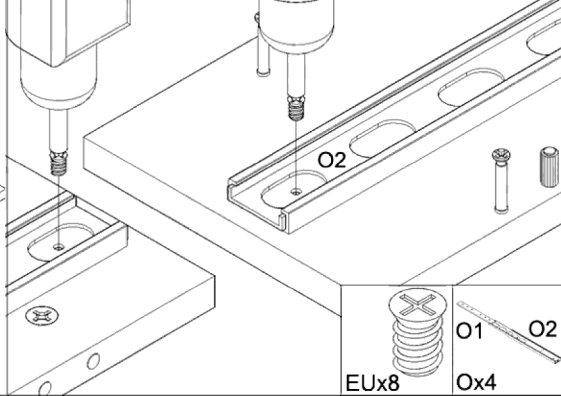
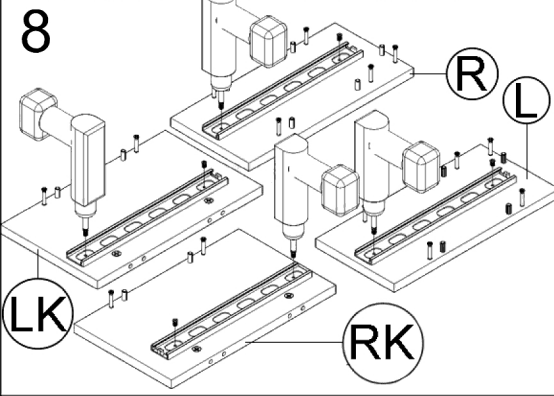
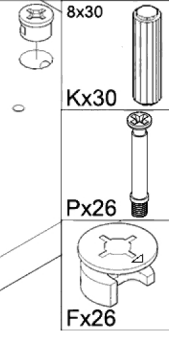
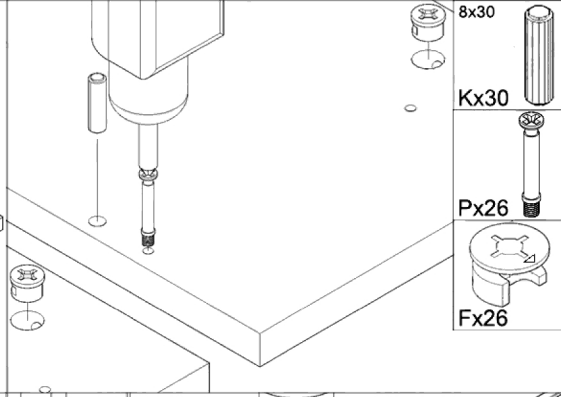
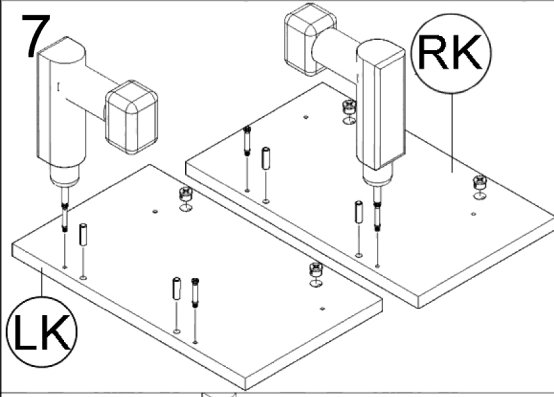
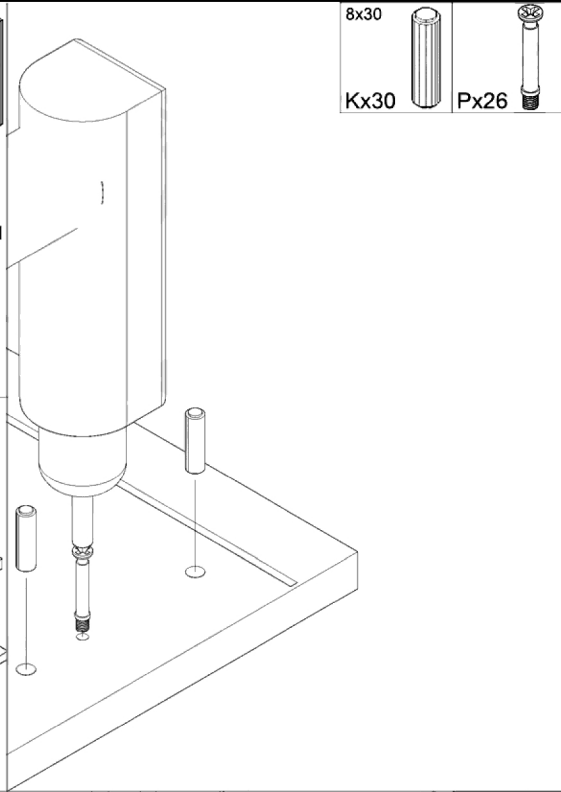
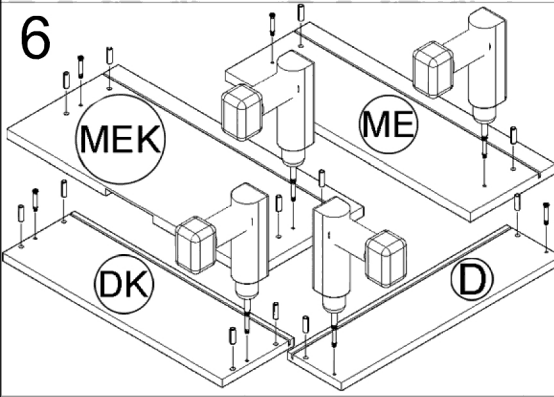
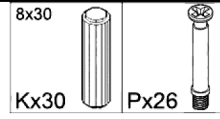
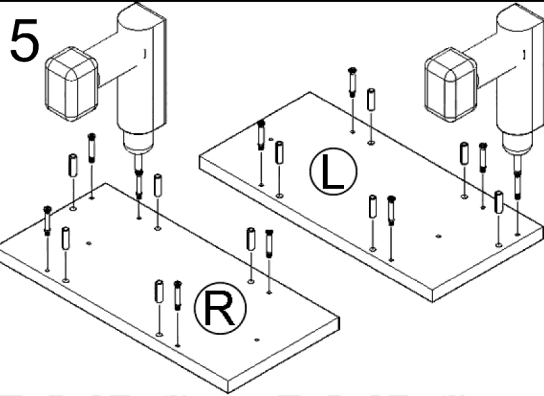


3

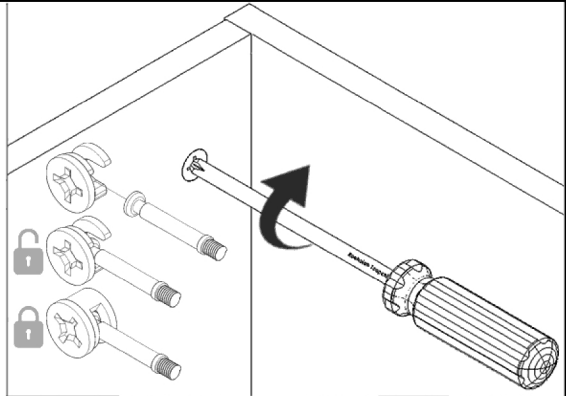
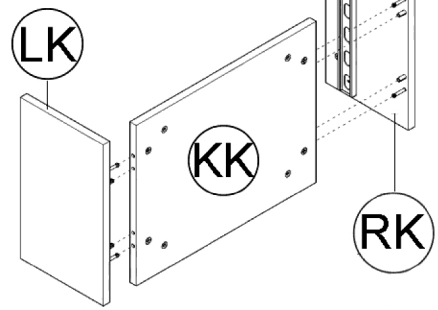


4

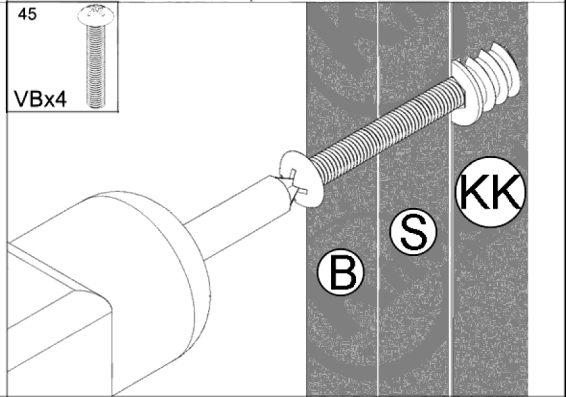
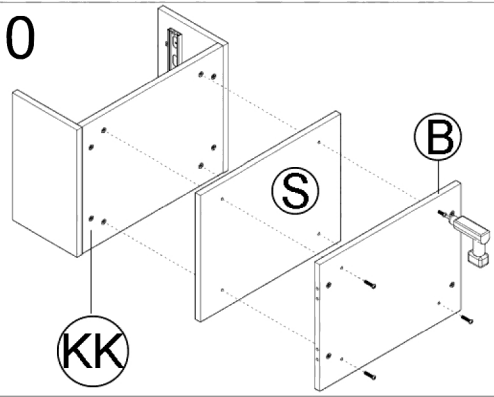




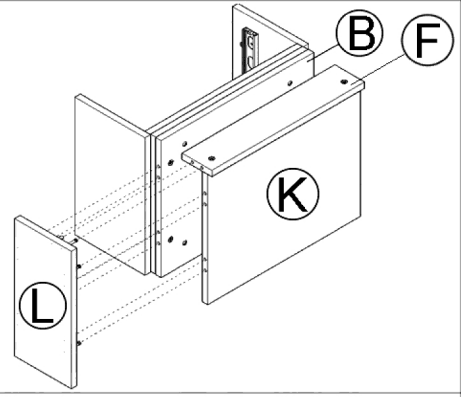
9



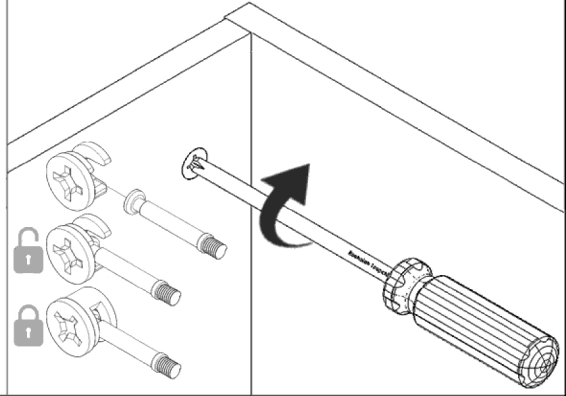
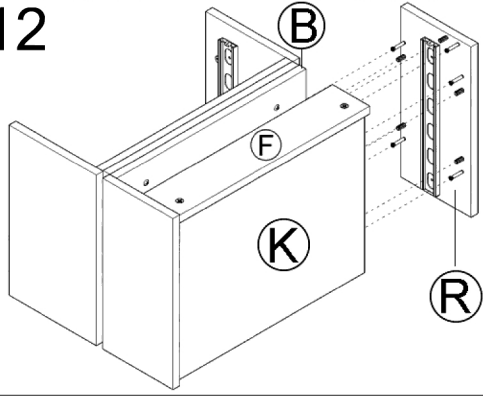
10

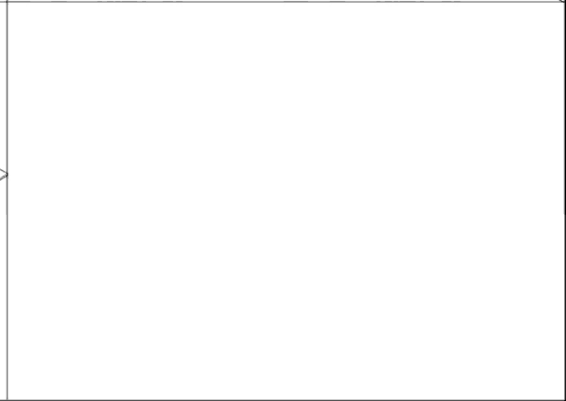
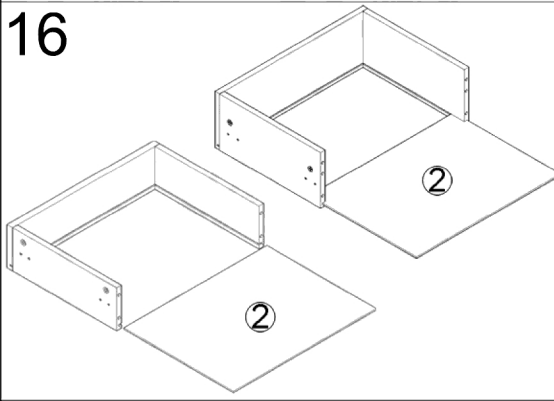
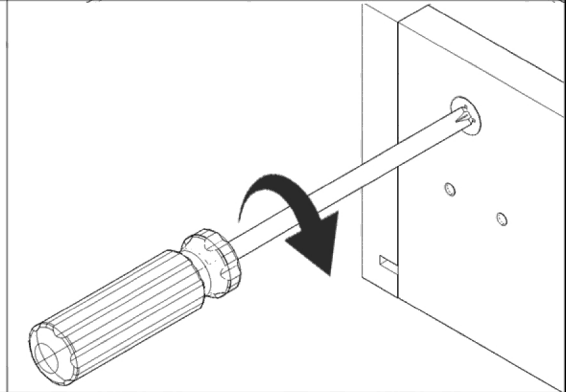
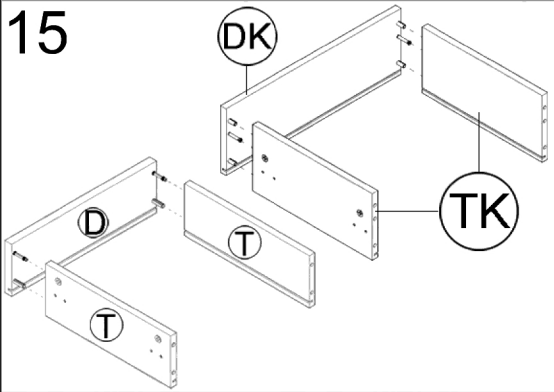
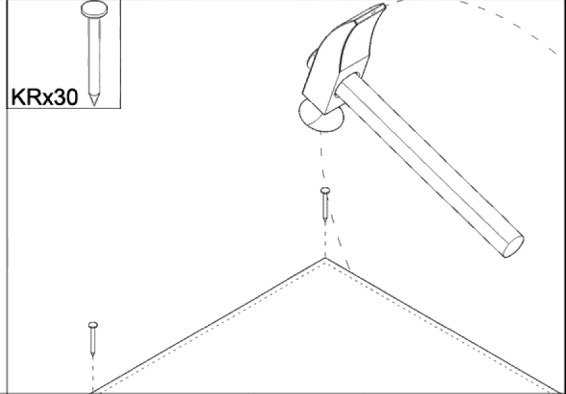
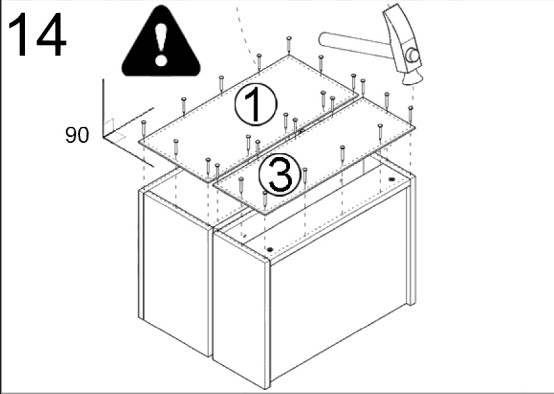
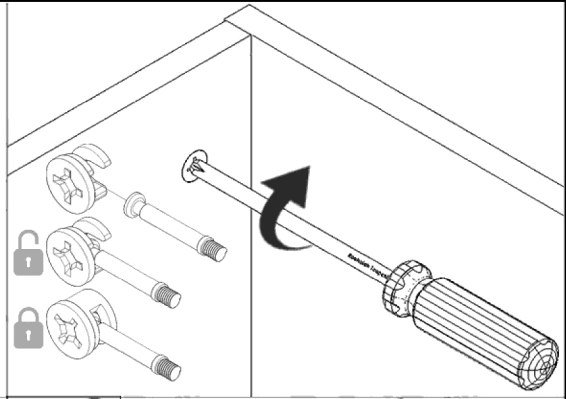
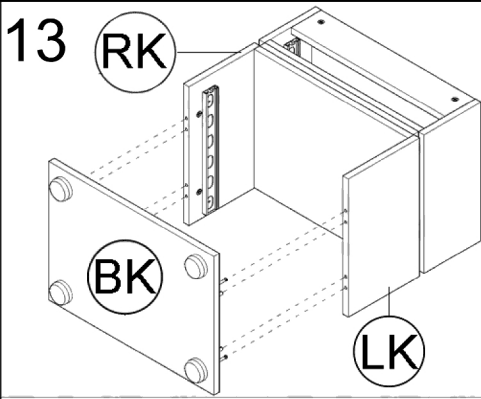


11

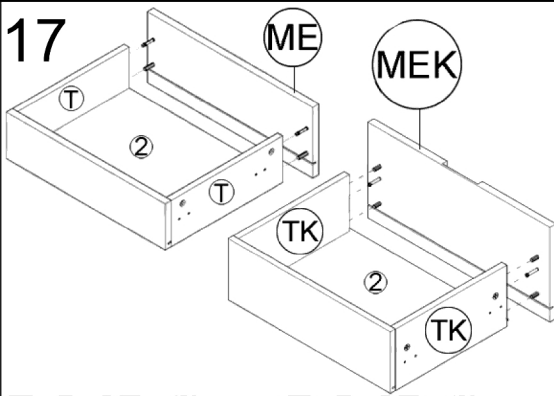


12

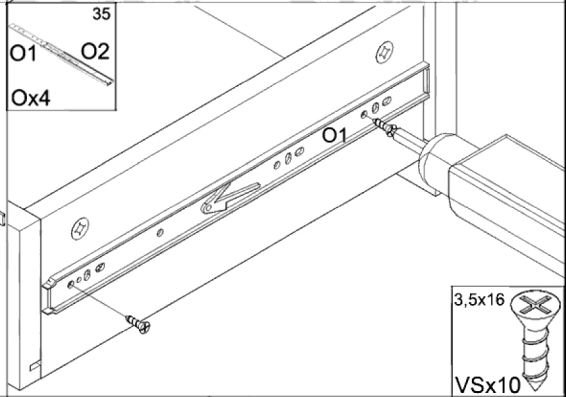
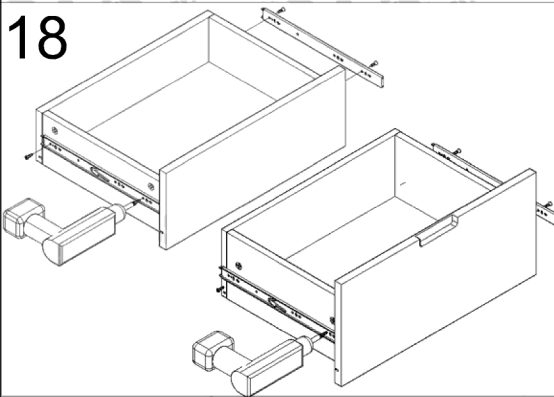




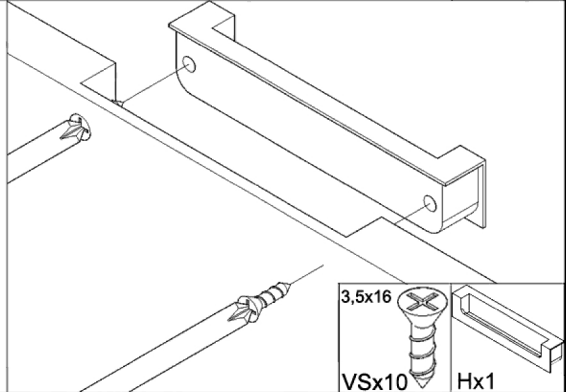
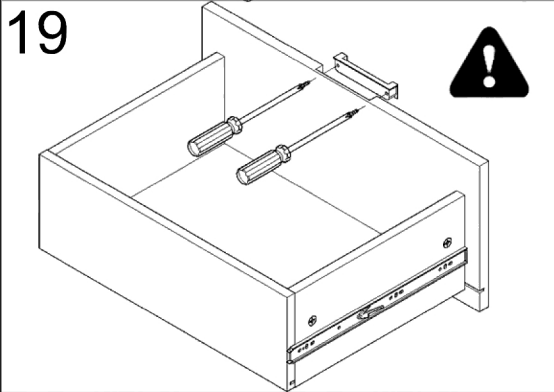
17



18



19



20

