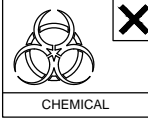
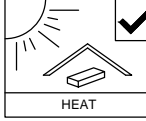




SOFT, DRY CLOTH



CHEMICAL



HEAT



KEEP DRY



HANDLE WITH CARE



DO NOT USE KNIFE

# ASSEMBLY INSTRUCTION

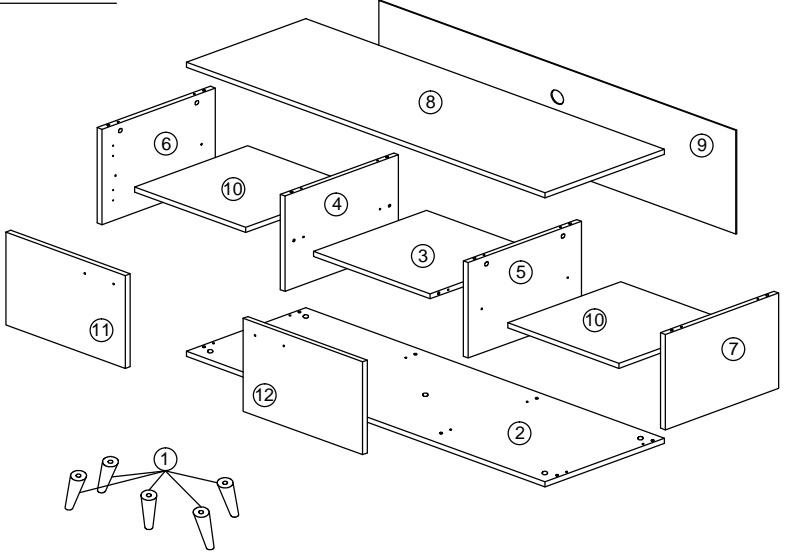
MODEL : DSTV 004 (KELLER)

DESCRIPTION : TV CABINET

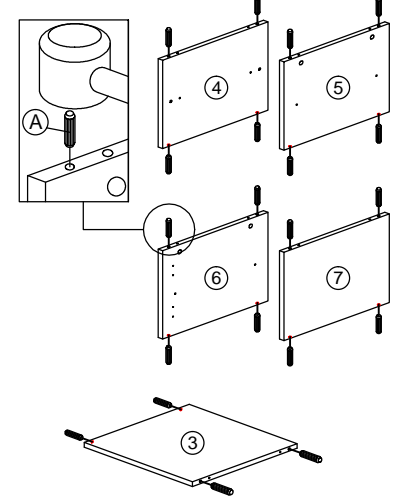
HARDWARE

<b>A</b>  WOOD DOWEL M8x25MM 20	<b>B</b>  CB SCREW M3.5x16MM 16	<b>C</b>  NAIL 5/8 20	<b>D</b>  HANDLE 7050-96 2	<b>E</b>  HANDLE SCREW M4x19MM 4	<b>F</b> F1  MINIFIX (HOUSING) F2  MINIFIX (EURO 24) F3  MINIFIX CAP 12 SETS	<b>G</b>  CSK CAP WOOD M6x50MM 8	<b>H</b>  JCBB BOLT M8x40MM 5	<b>I</b>  ALLEN KEY M4 1	<b>J</b>  ALLEN KEY M5 1	<b>K</b>  SHELF SUPPORT 8	<b>L</b>  HINGES 5/8 4
---	---	--------------------------------	--	--	--	--	---	-----------------------------------	-----------------------------------	------------------------------------	---------------------------------

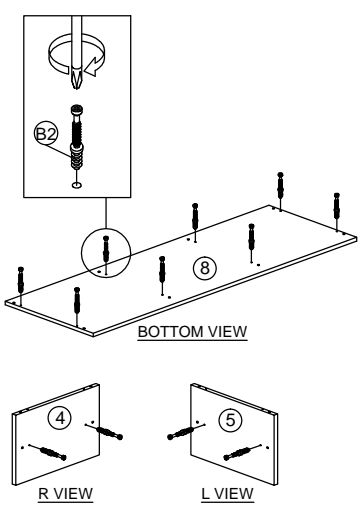
## PART LIST



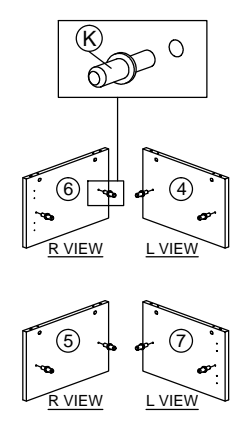
## STEP 1



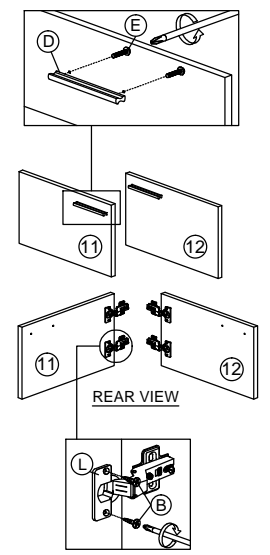
## STEP 2



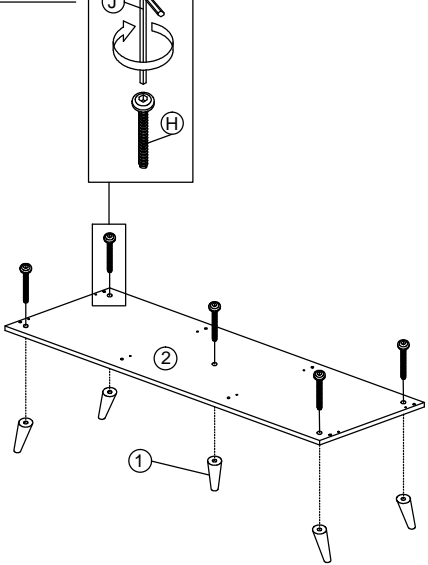
## STEP 3



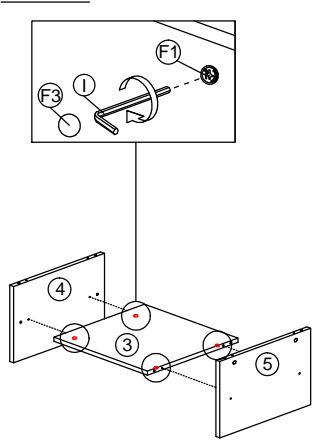
## STEP 4



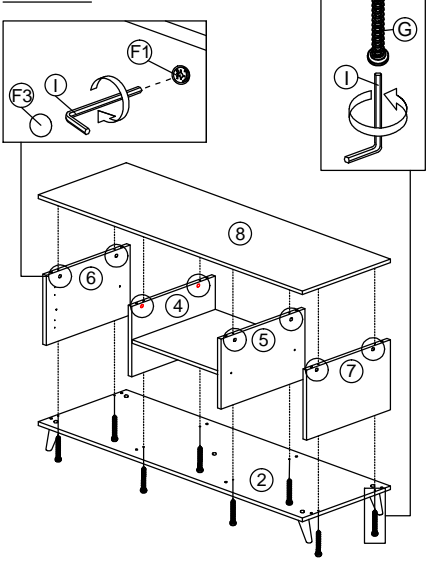
## STEP 5



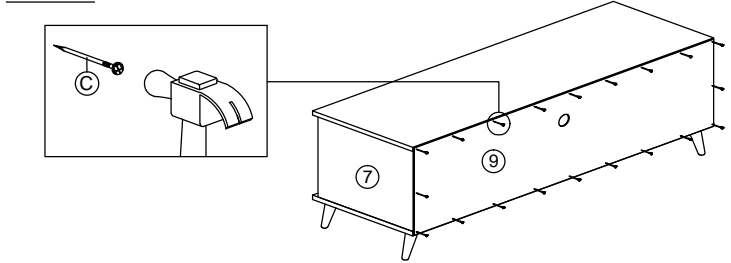
## STEP 6



## STEP 7



## STEP 8



## STEP 9

