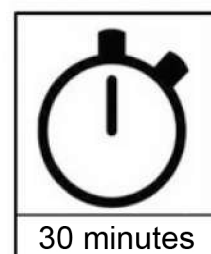
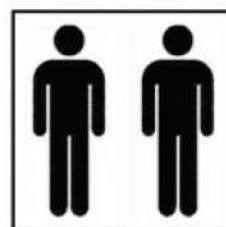
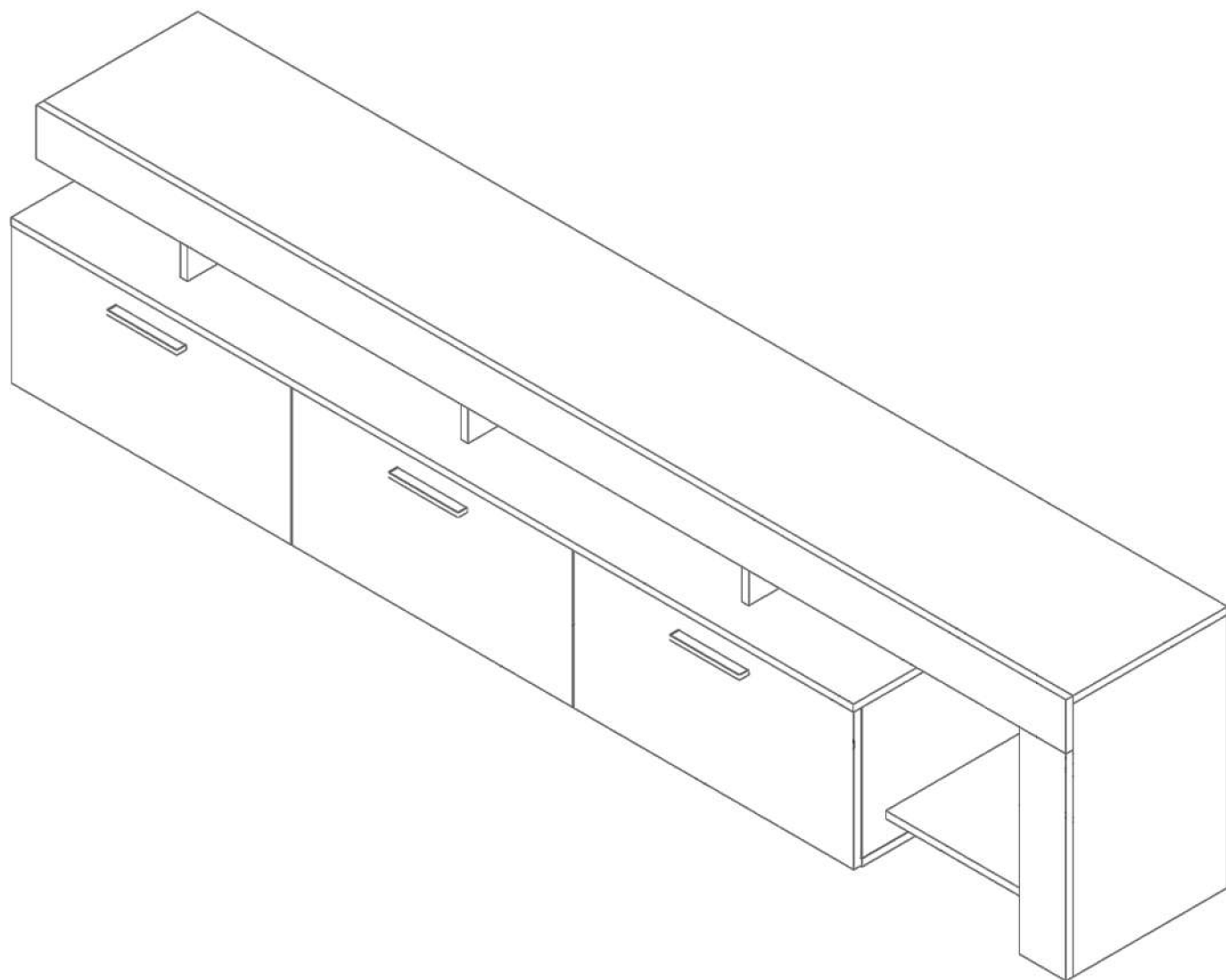
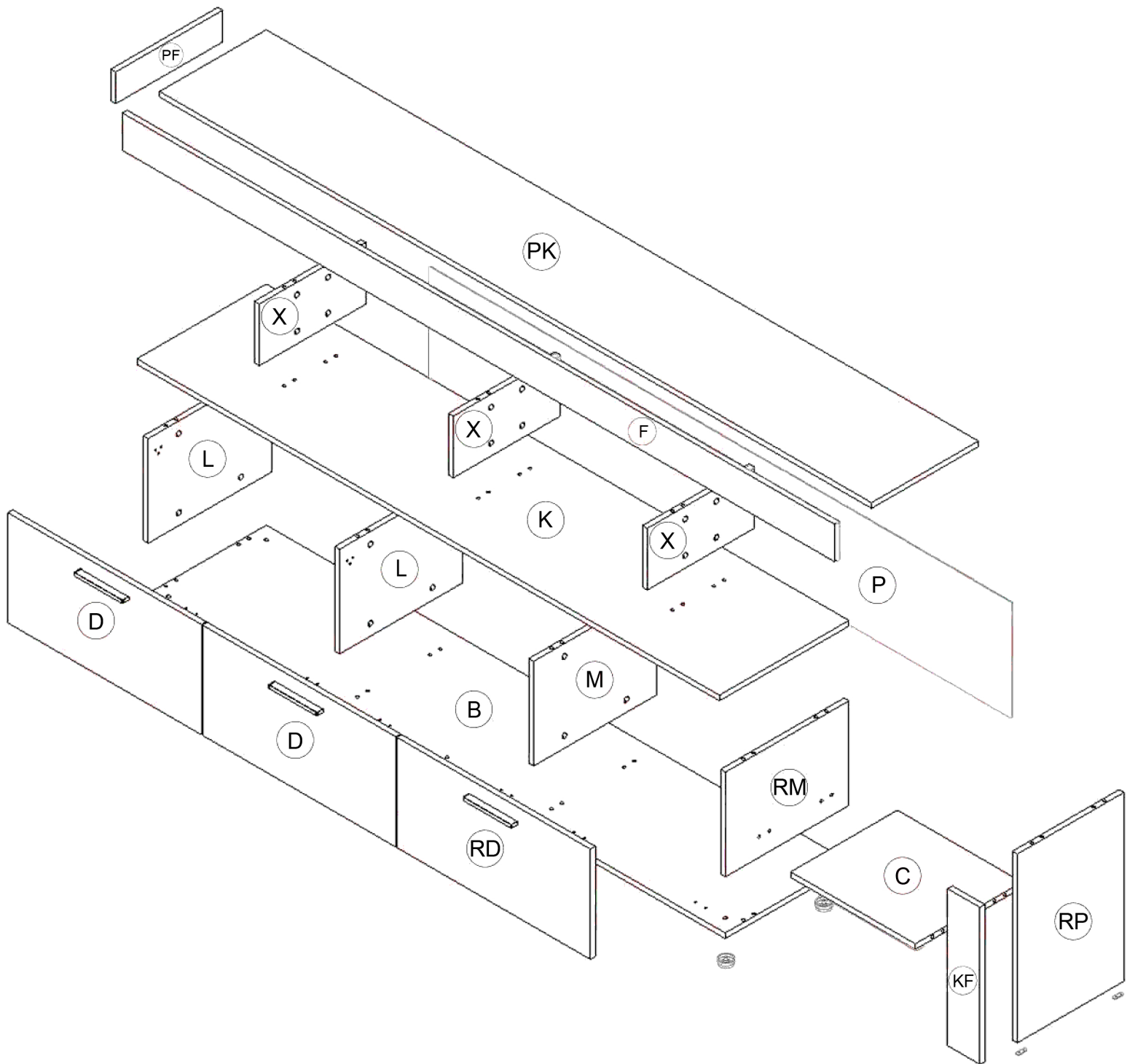


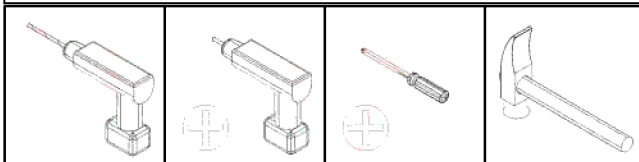
GRK21



30 minutes

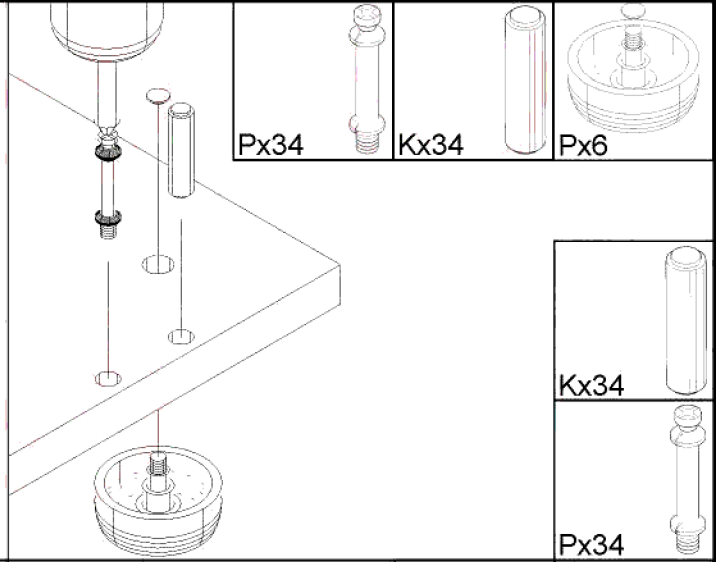
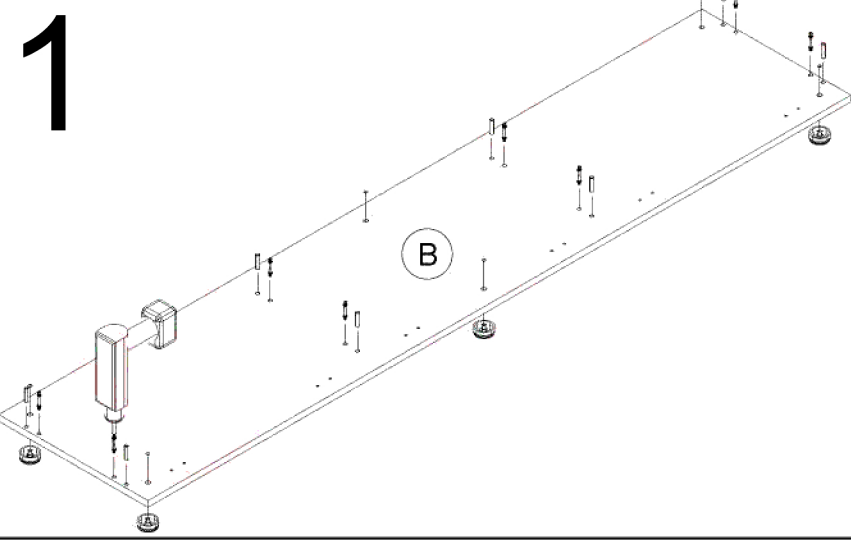


USING TOOLS

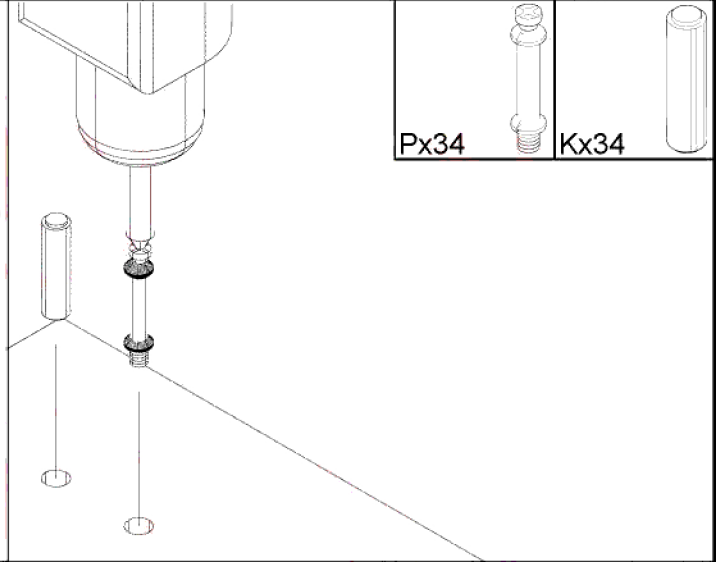
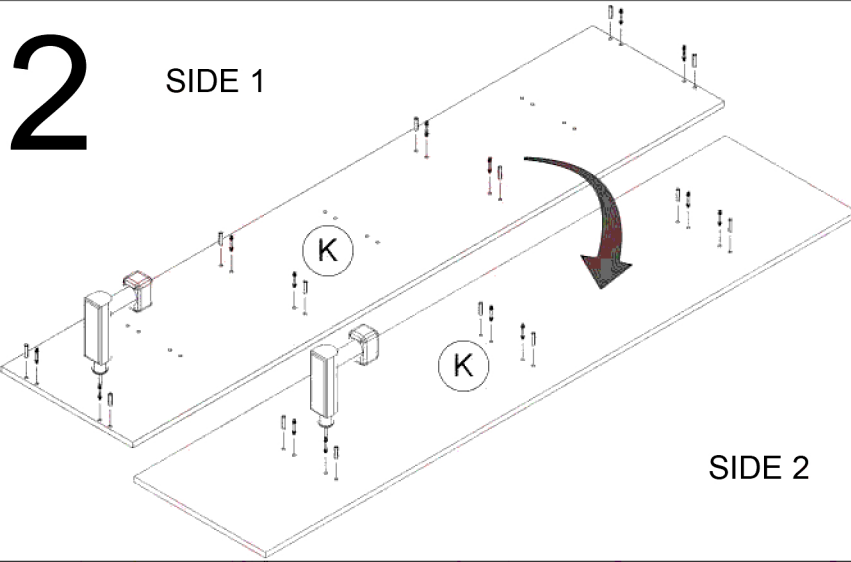


Tx34	Fx34	Px34	Kx34	Lx8	4x30 VSx6	4x20 Vx4	3,5X16 Bx71
KRx30	Sx3	Mx6	CPx3	Cx3	CSx3	PTx2	Px6

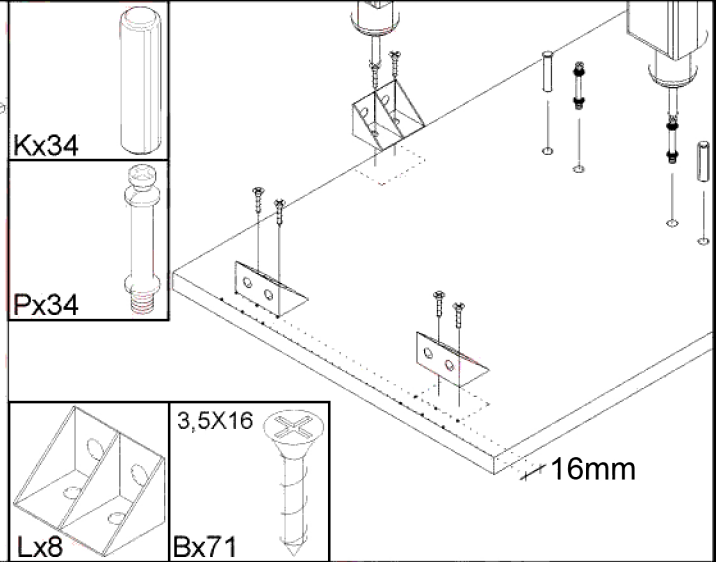
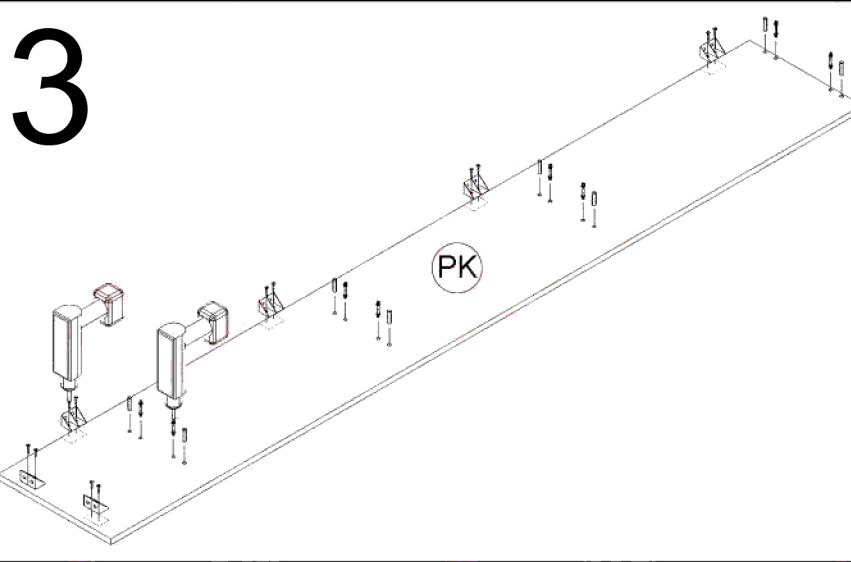
1



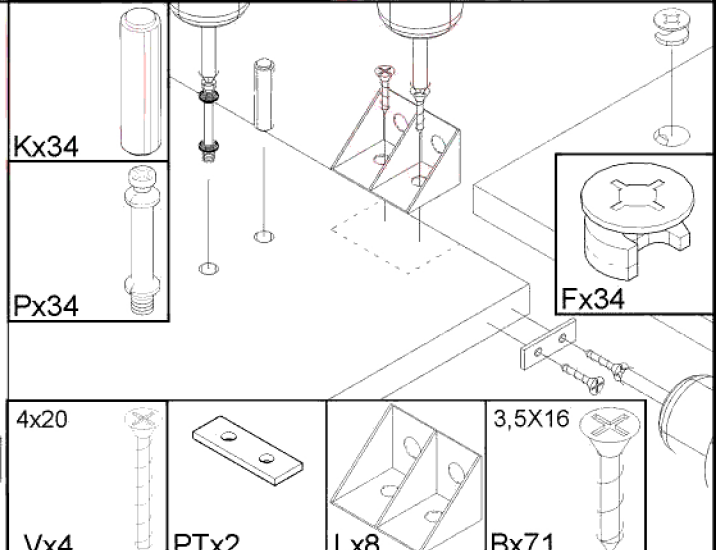
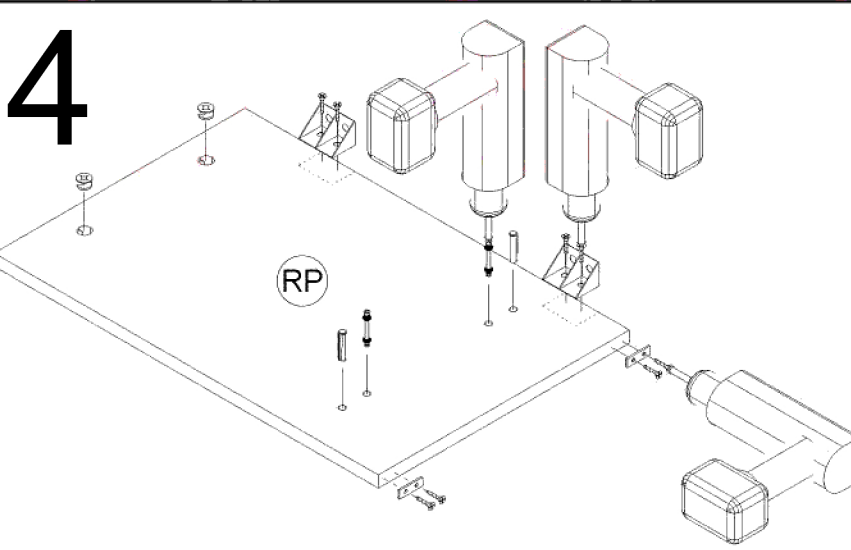
2



3



4



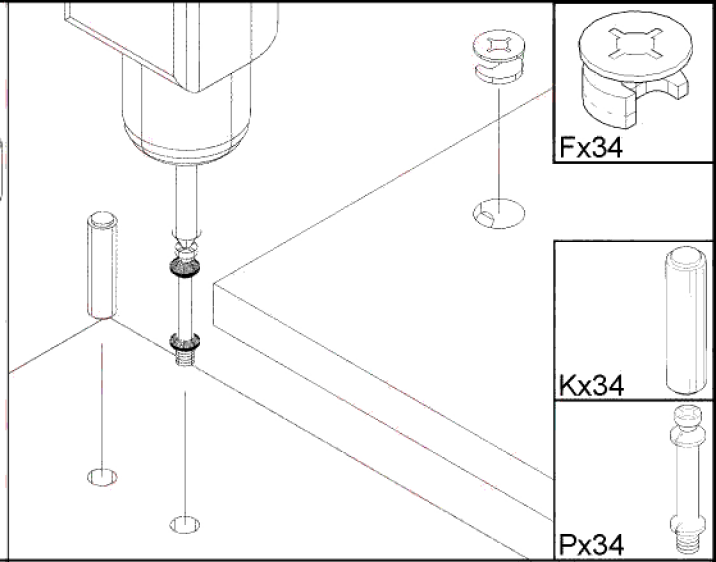
5

SIDE 1

RM

RM

SIDE 2



Fx34

Kx34

Px34

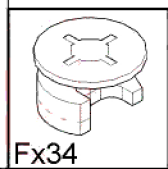
6

X

C

M

L

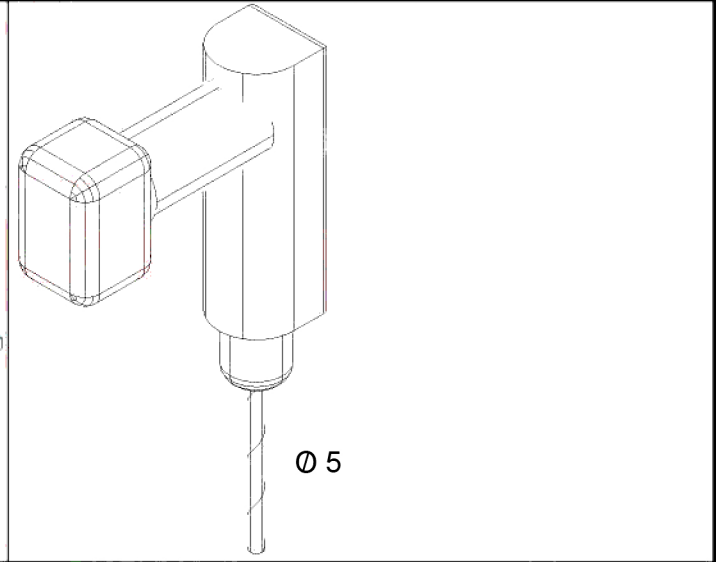


Fx34

7

D

RD

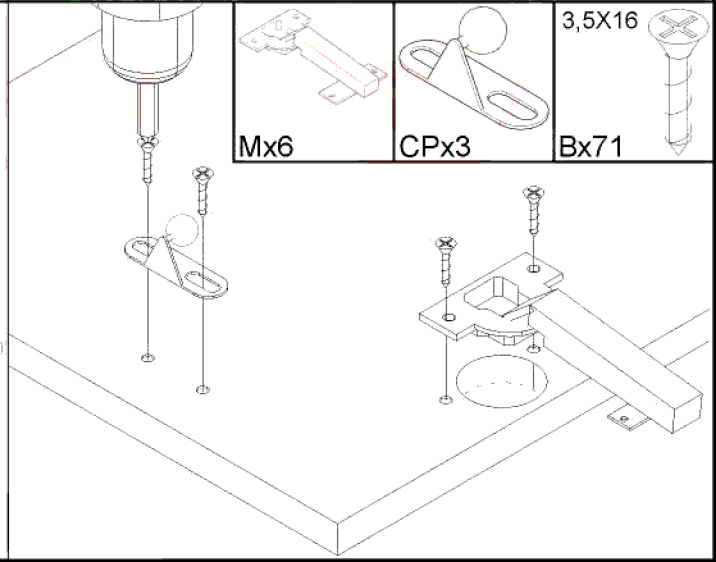


Ø 5

8

RD

D



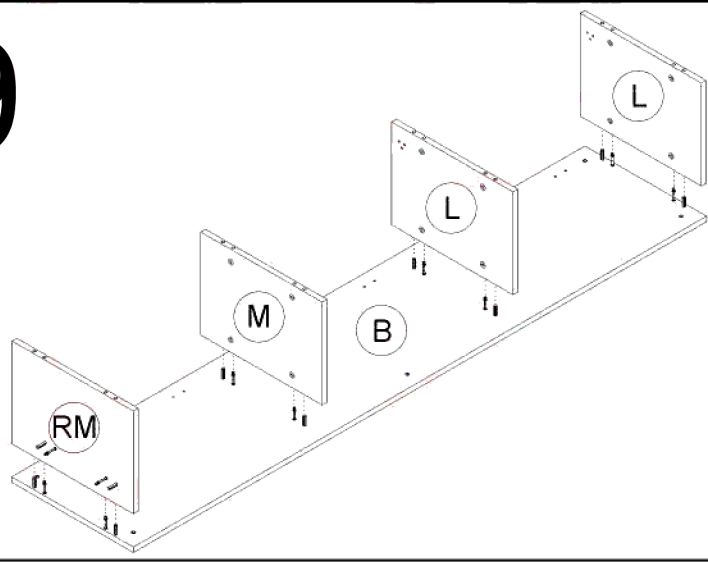
Mx6

CPx3

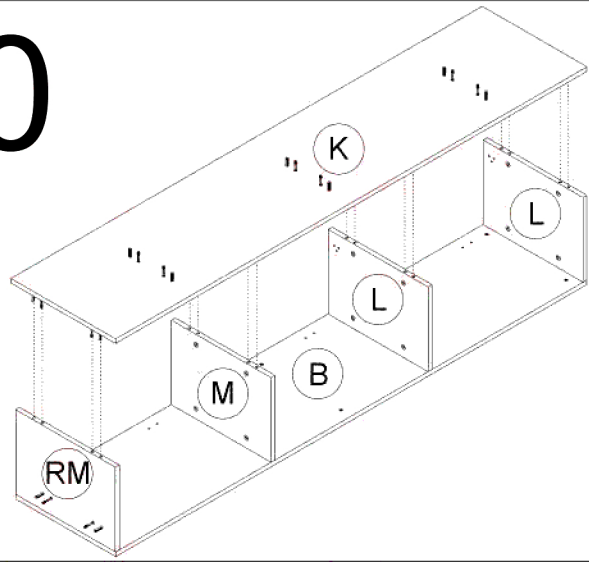
3,5X16

Bx71

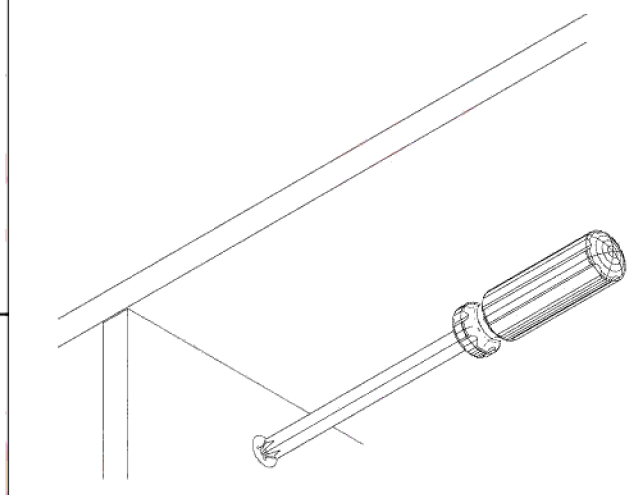
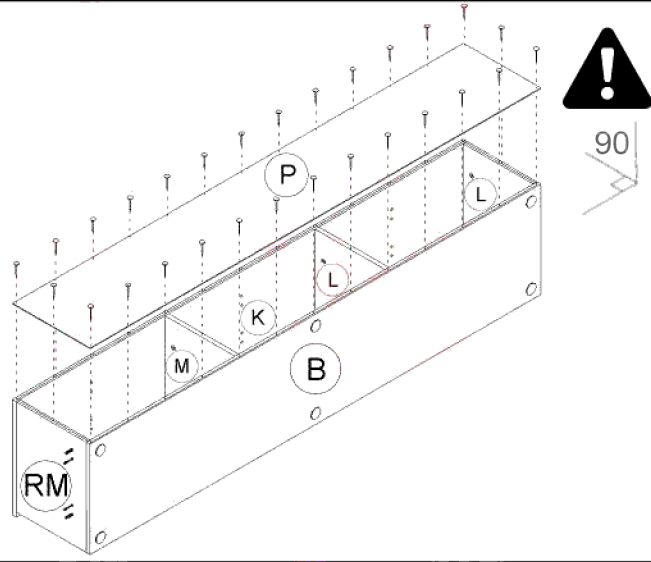
9



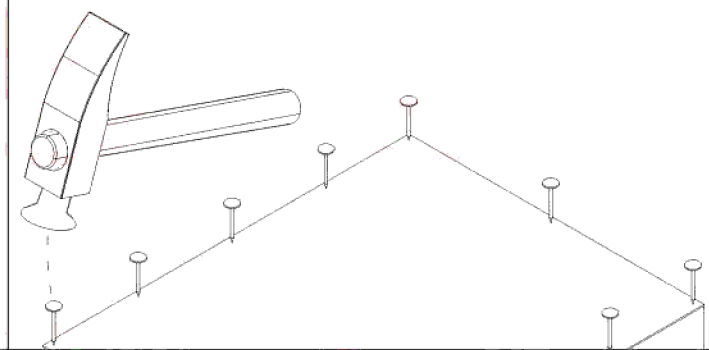
10



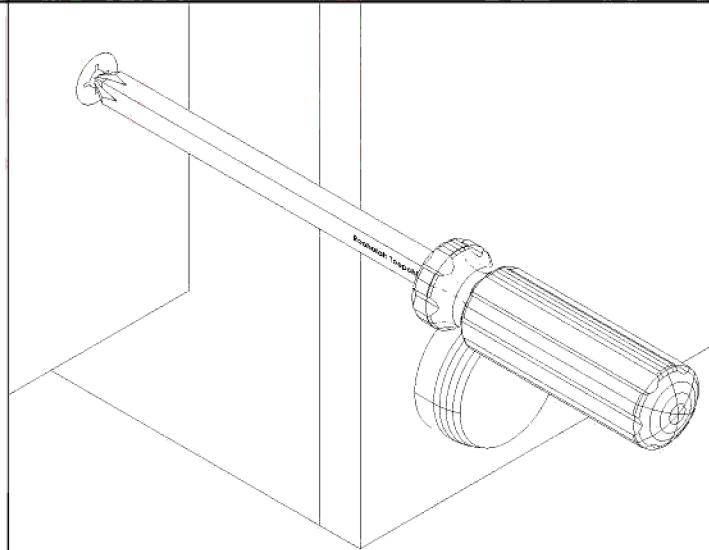
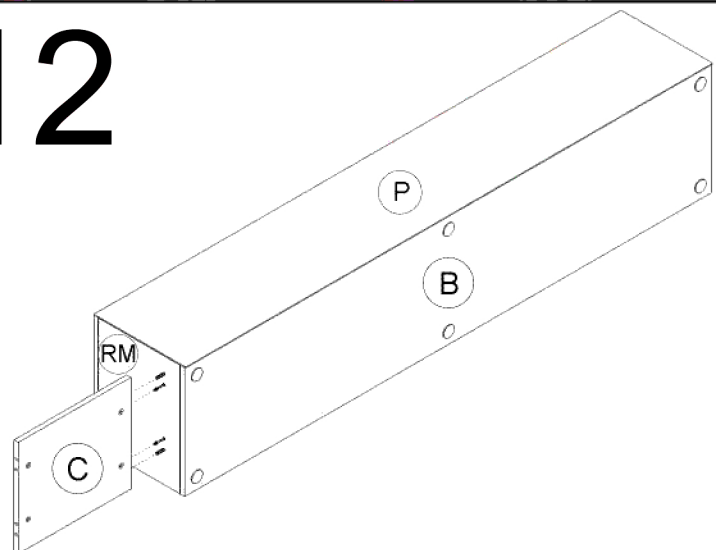
11



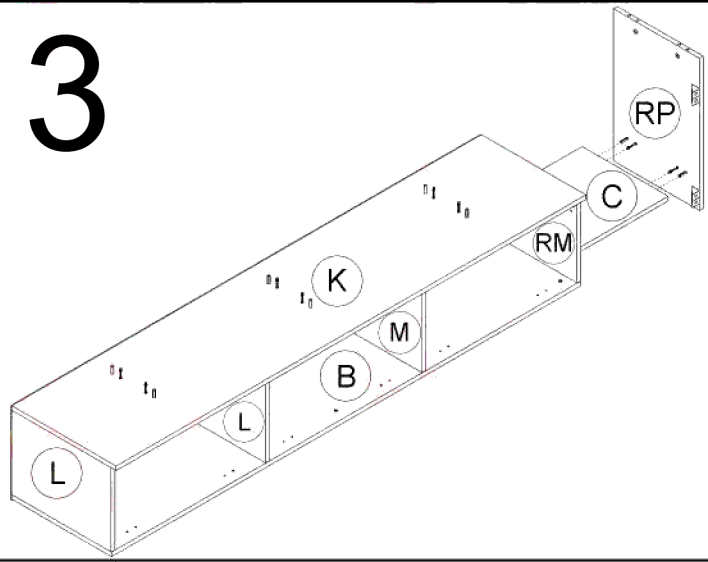
KRx20



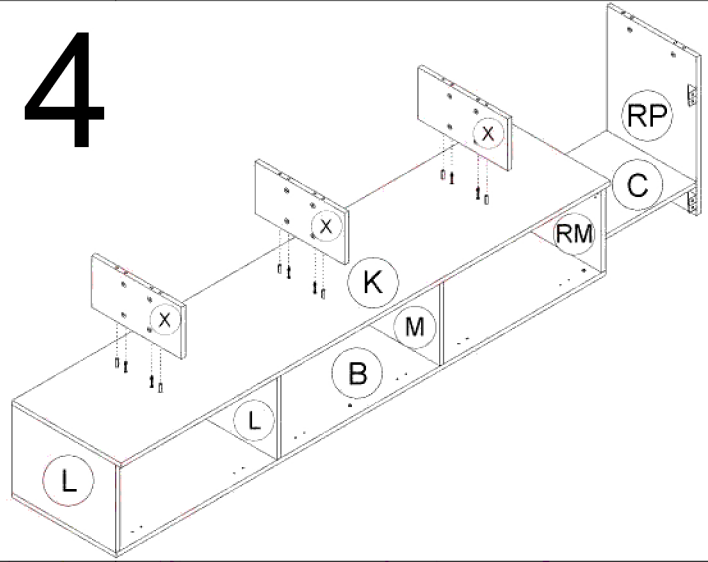
12



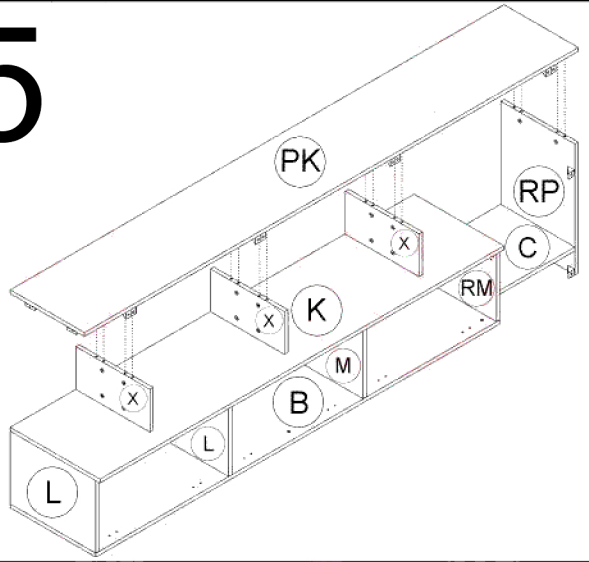
13



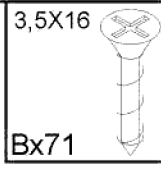
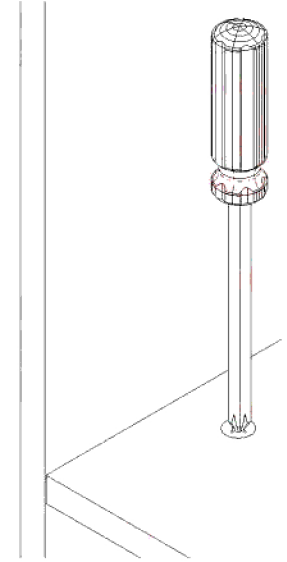
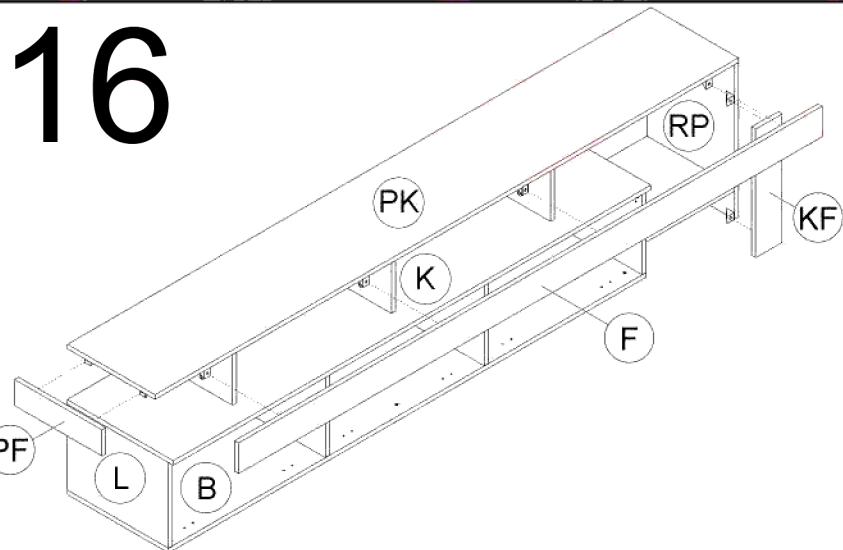
14



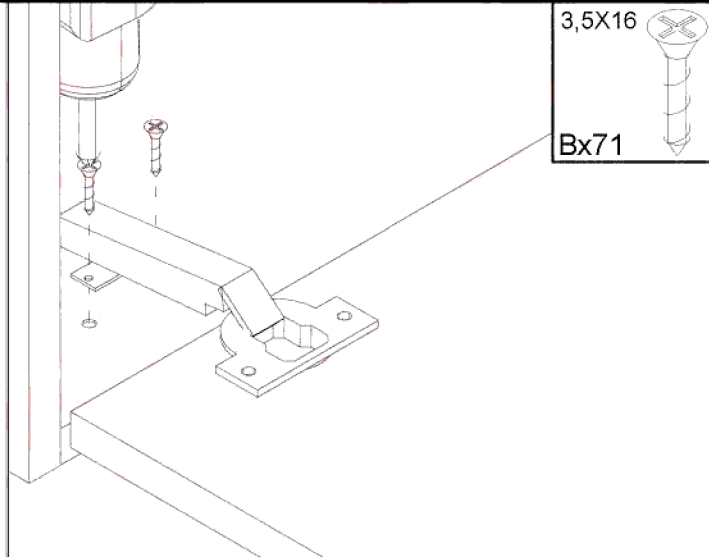
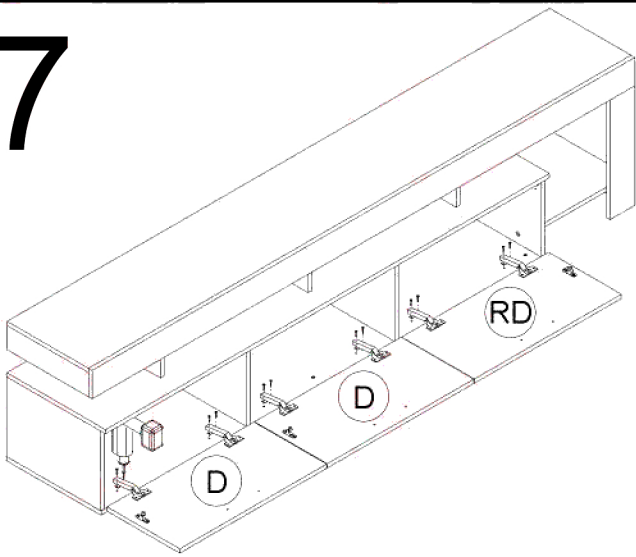
15



16

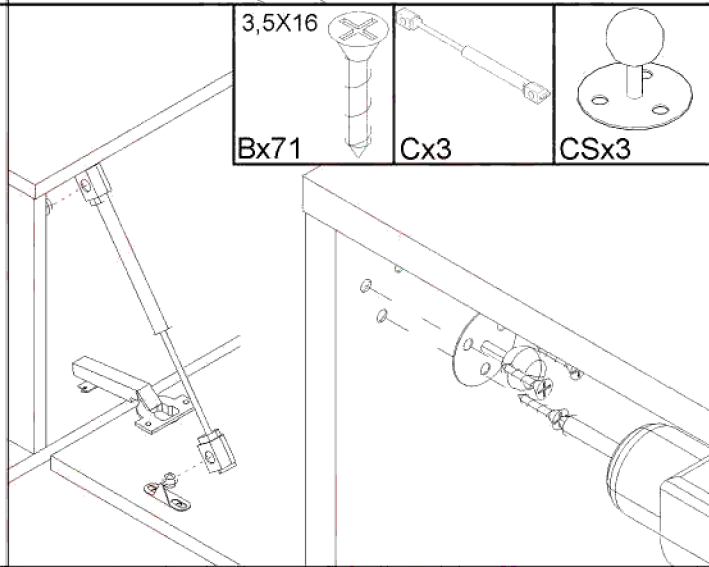


17



3,5X16
Bx71

18

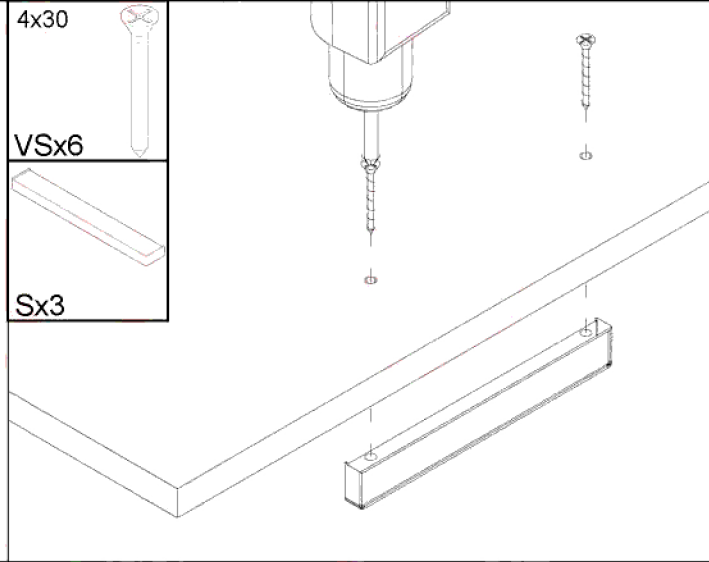
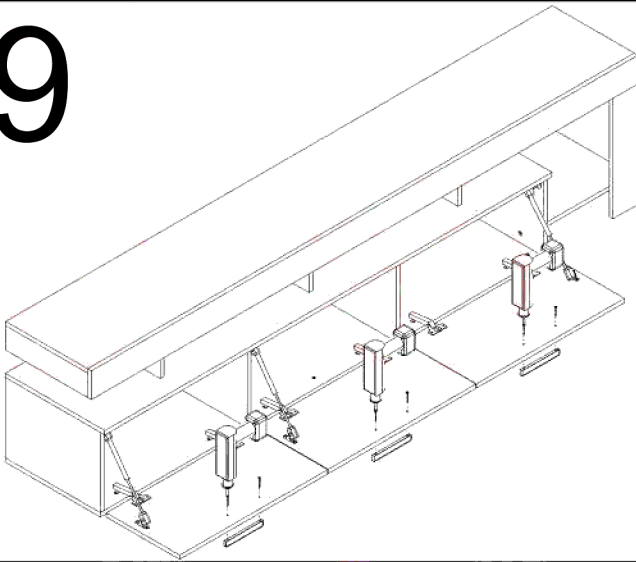


3,5X16
Bx71

Cx3

CSx3

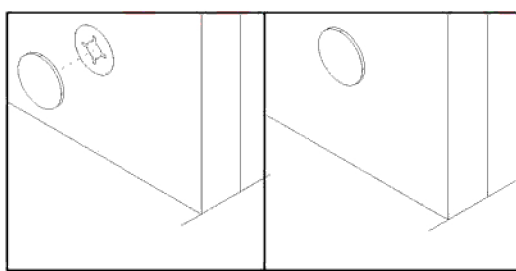
19



4x30
VSx6

Sx3

PLASTIC COVER CAPS FOR SCREWS



Tx34

Fx34

