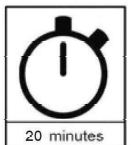
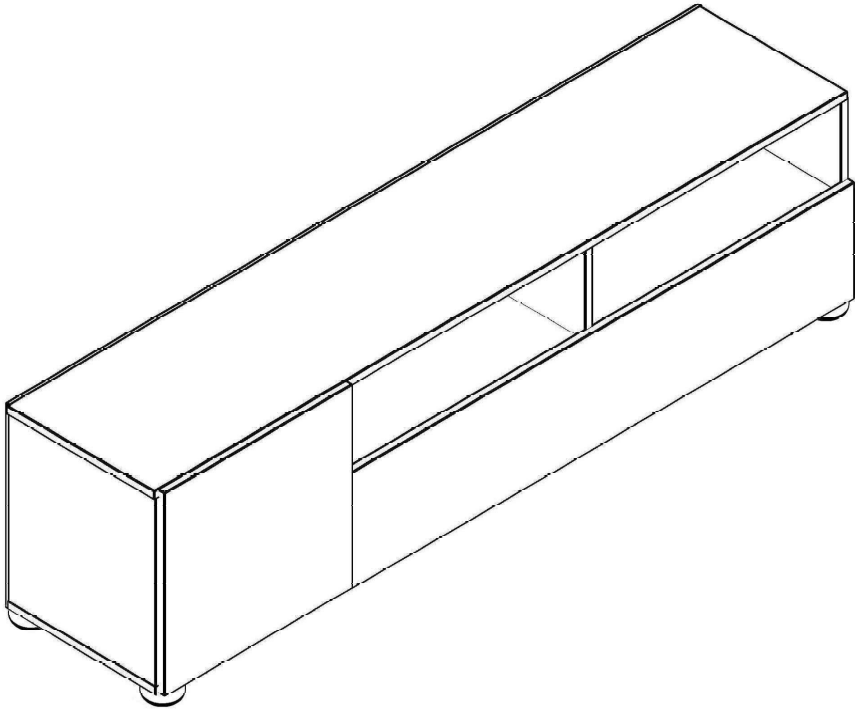
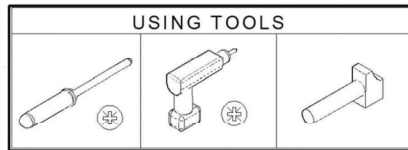
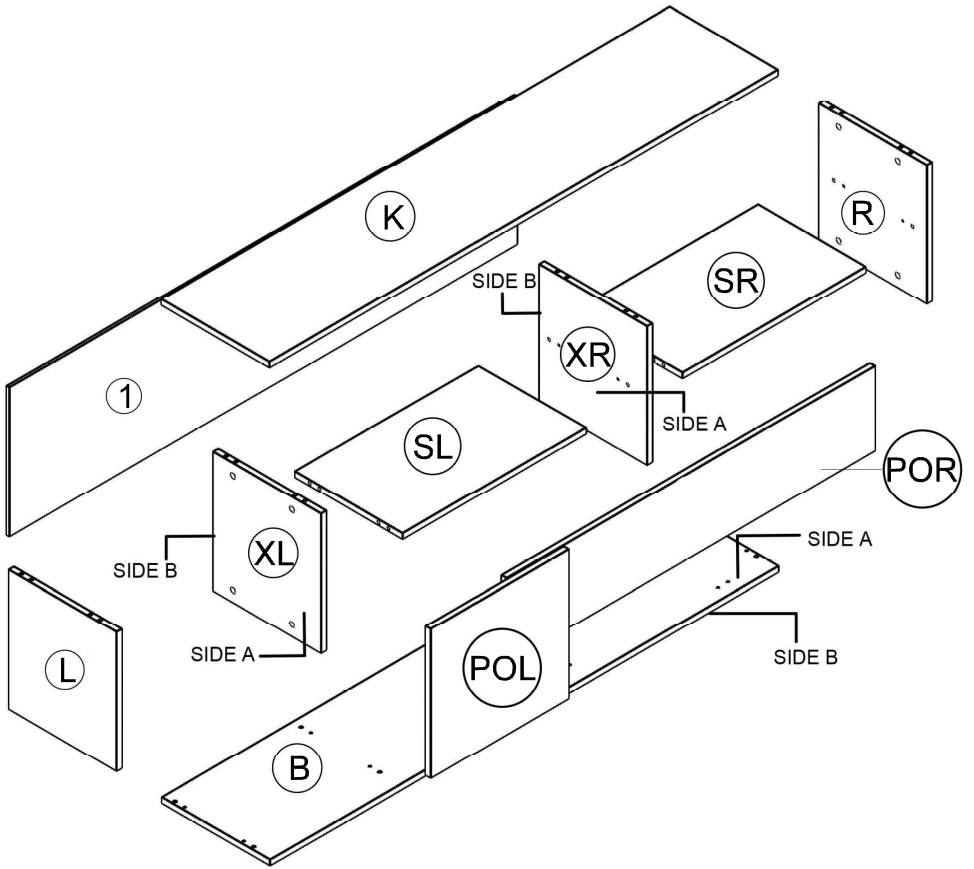





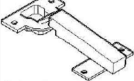




GRK 03 A

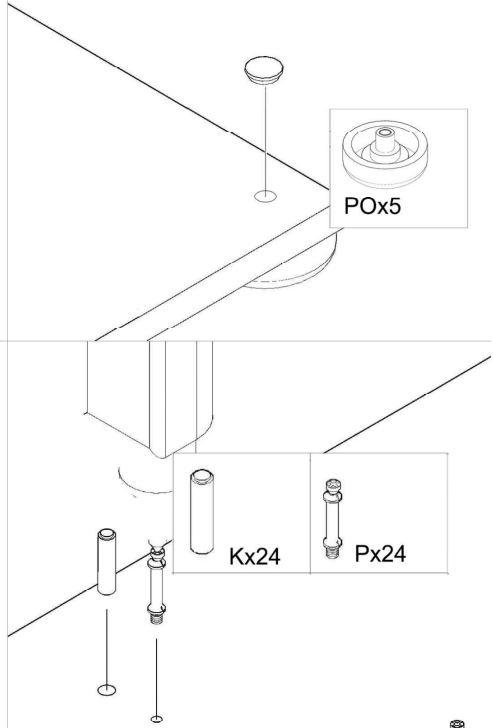
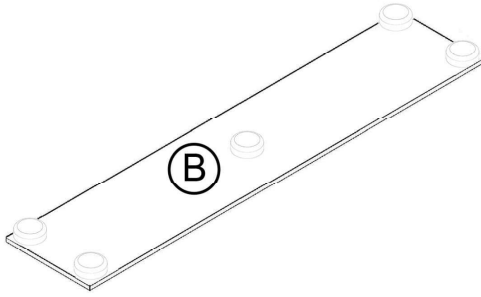




 Fx24	 Kx24	 Px24	 TPx24
 Bx 16	 Mx4	 Kx20	 POx5

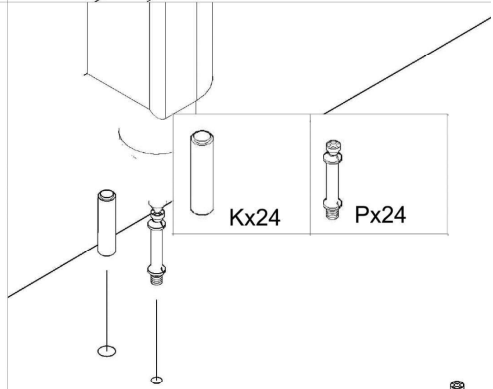
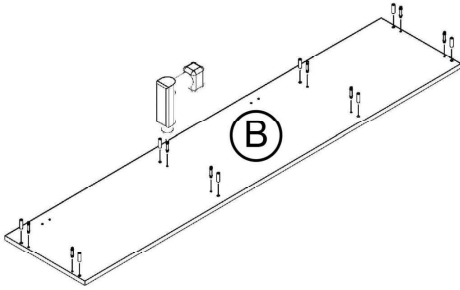
SIDE B

1

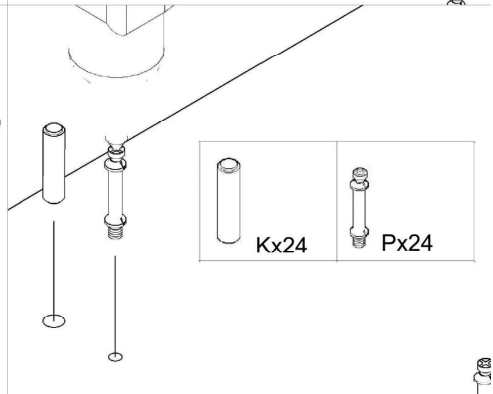
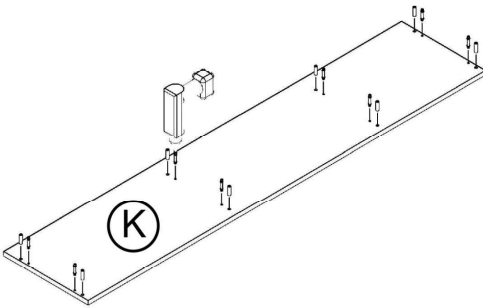


SIDE A

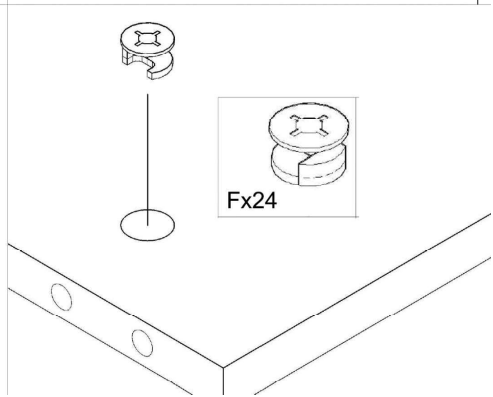
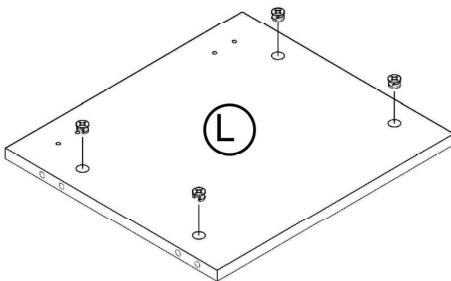
2



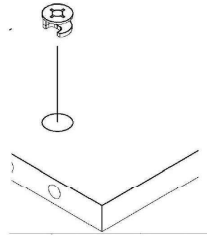
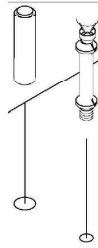
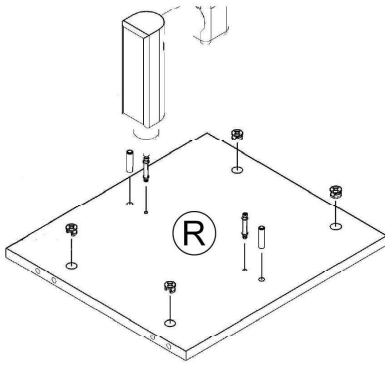
3



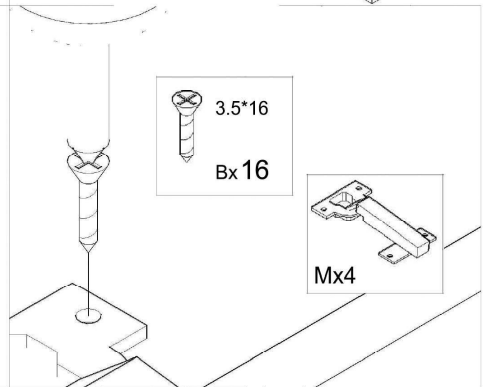
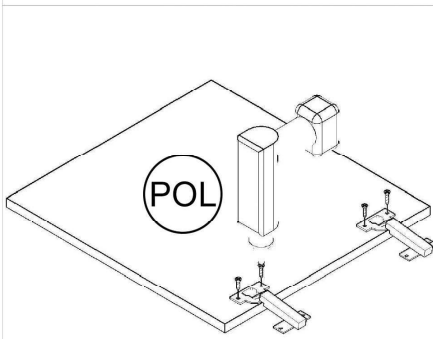
4



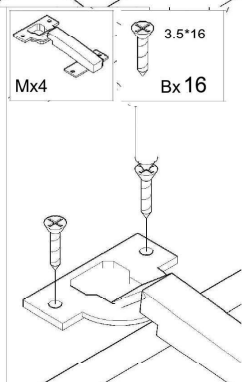
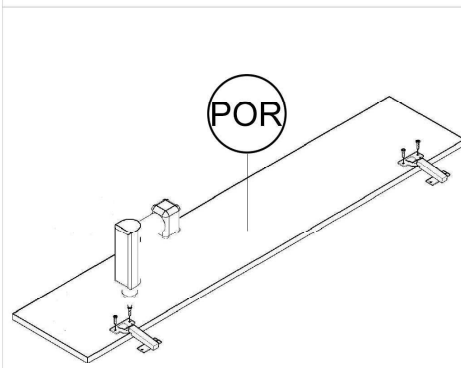
5



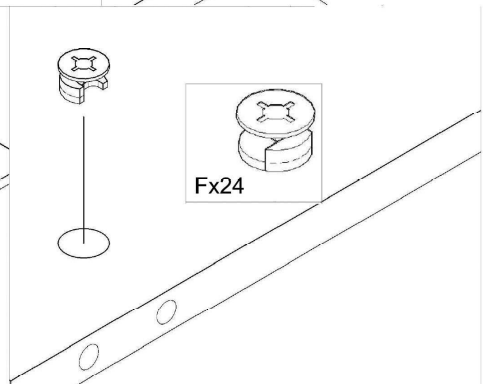
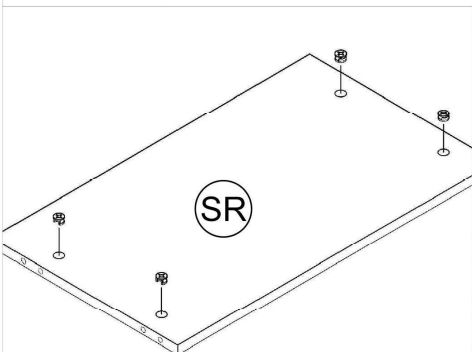
6



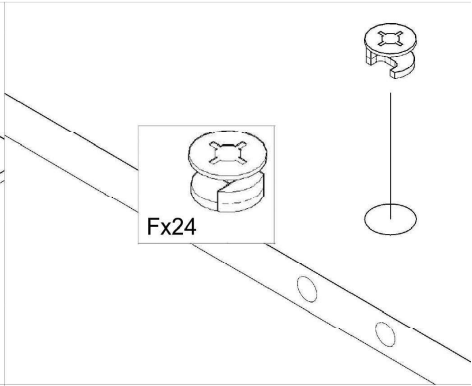
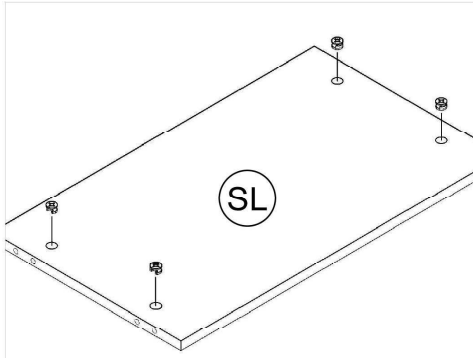
7



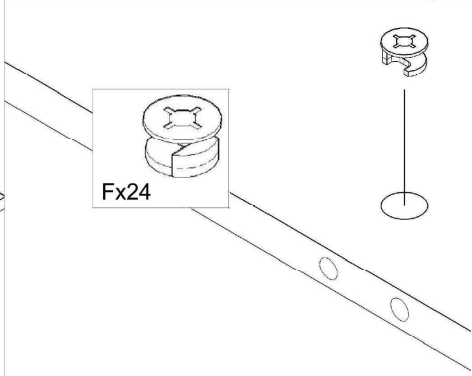
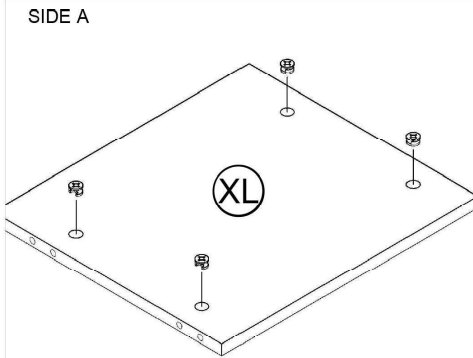
8



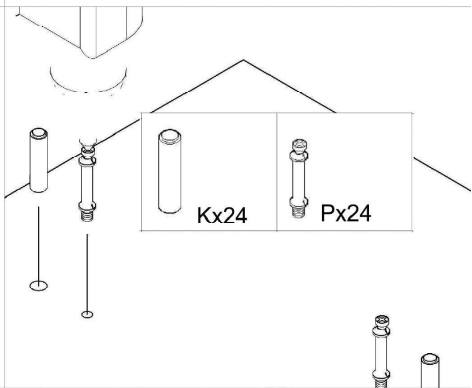
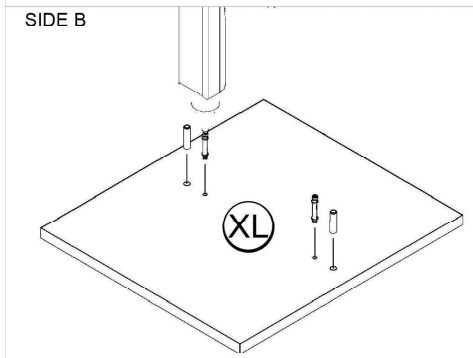
9



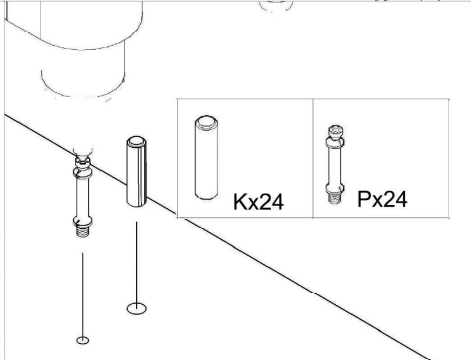
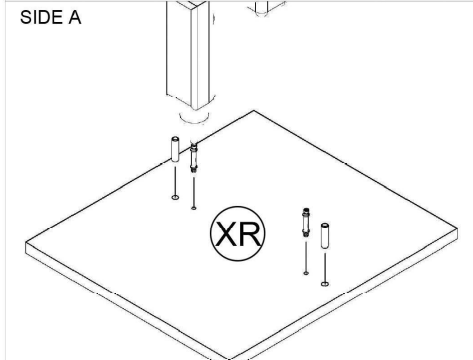
10



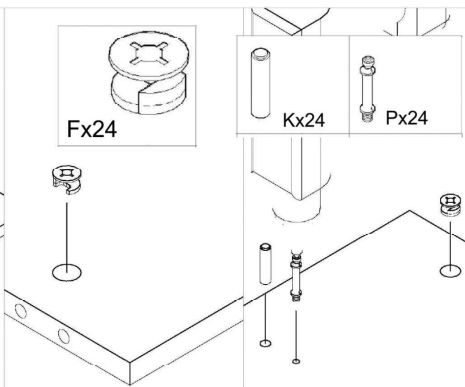
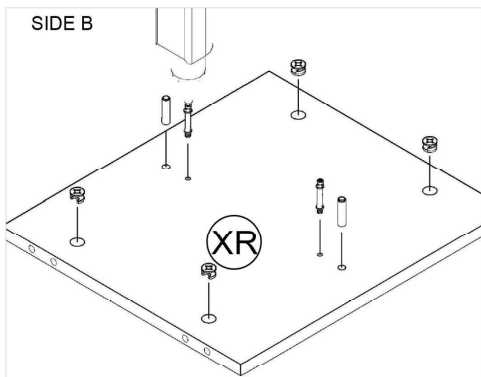
11



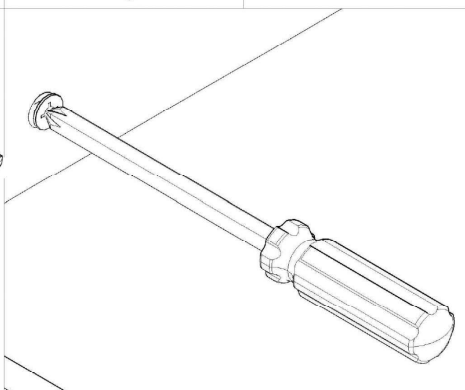
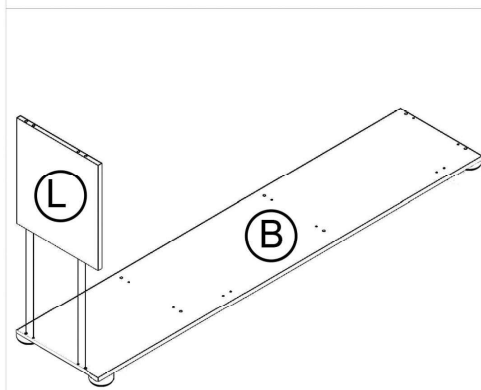
12



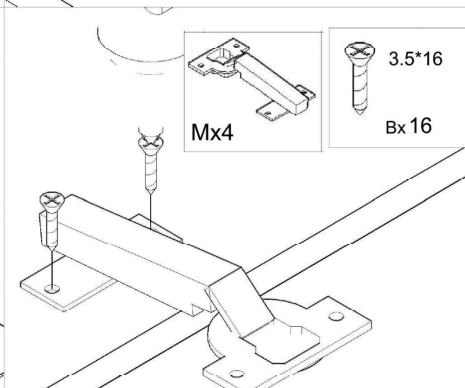
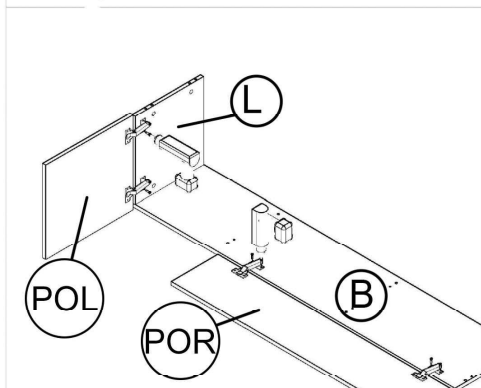
13



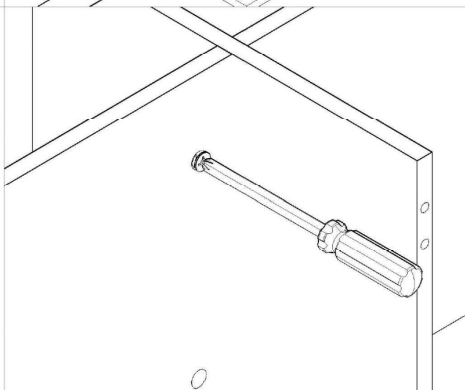
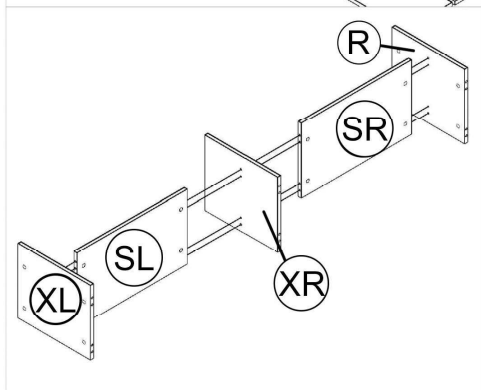
14



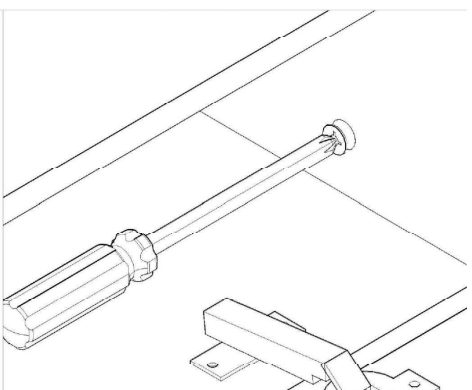
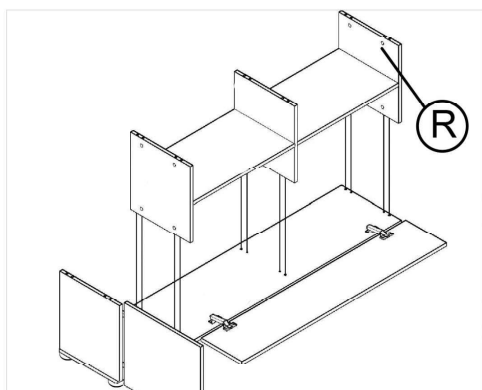
15



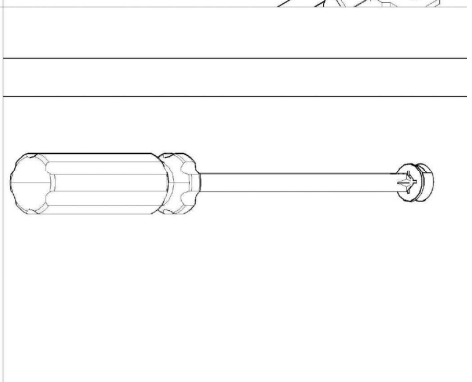
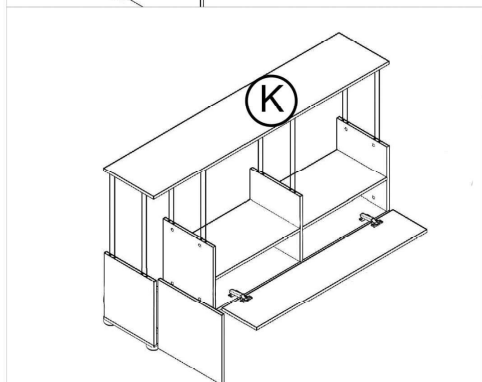
16



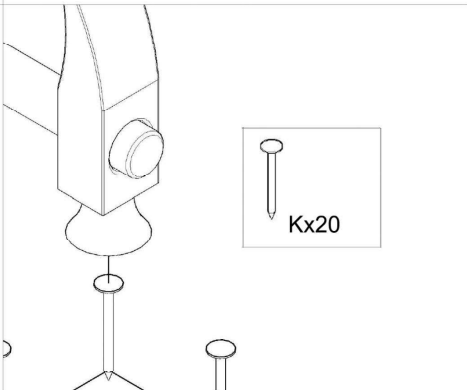
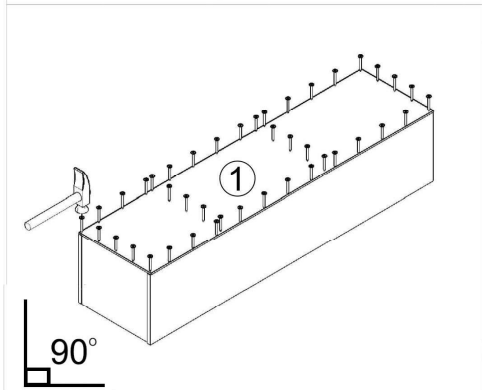
17

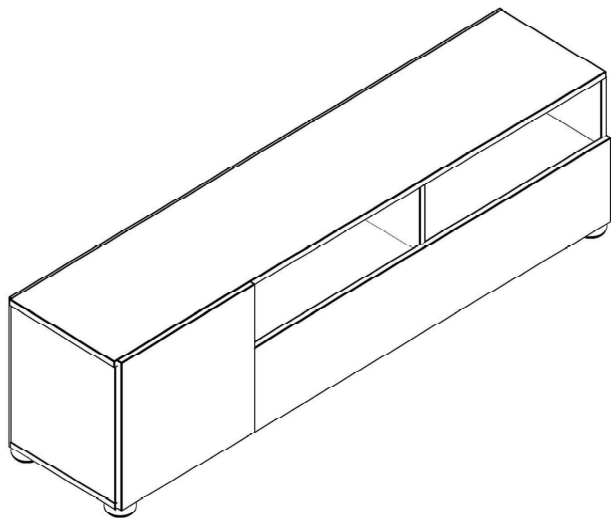


18

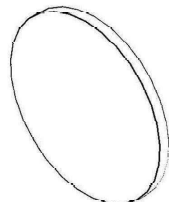
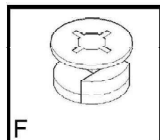
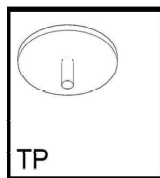
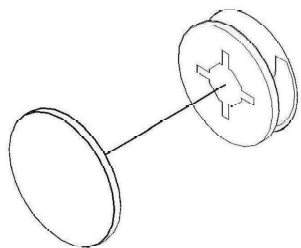


19

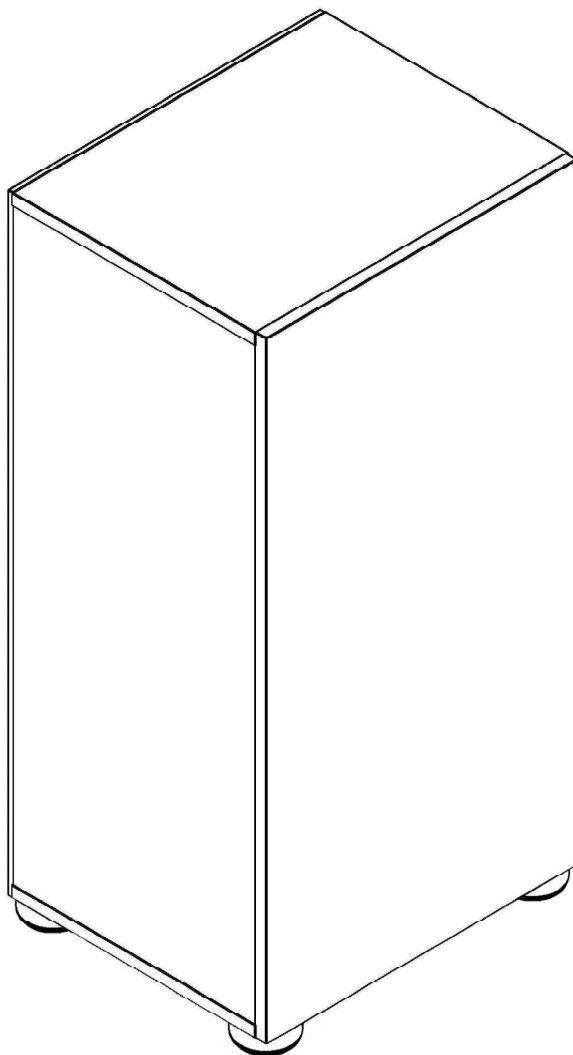


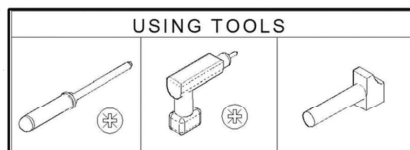
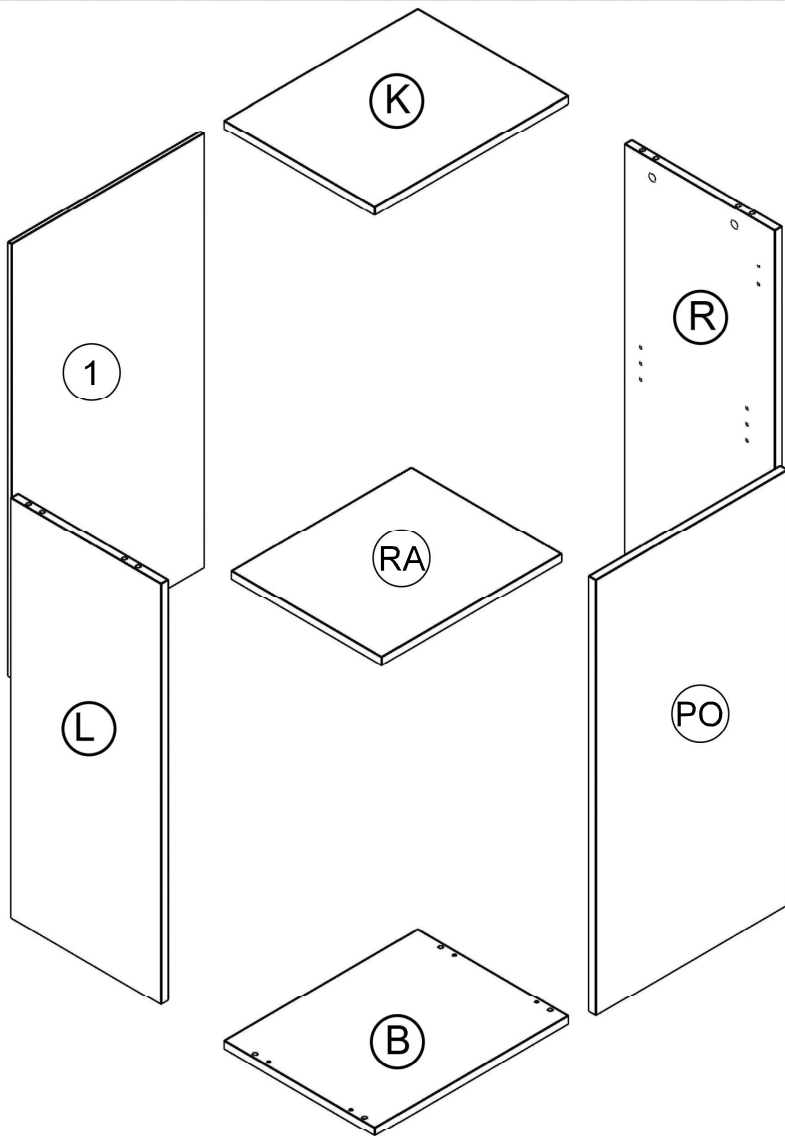





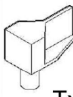

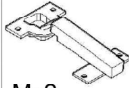



PLASTIC COVER CAPS FOR SCREWS



GRK0 3 B

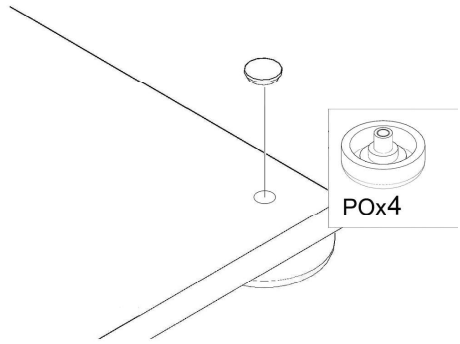
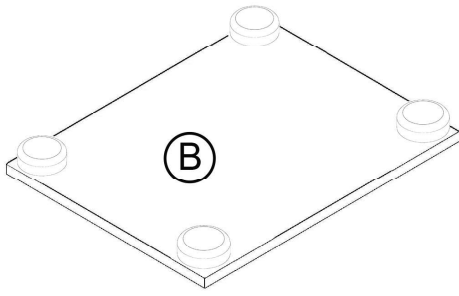




 Fx8	 Kx8	 Px8	 Tx4	
 3.5*16 Bx8	 Mx2	 KAx20	 POx4	 TPx8

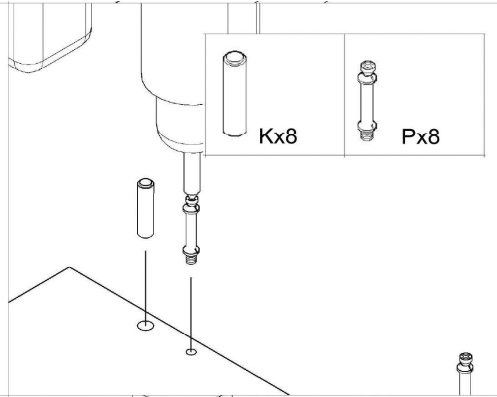
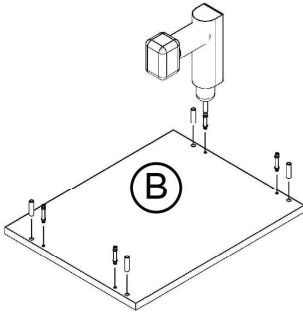
SIDE B

1

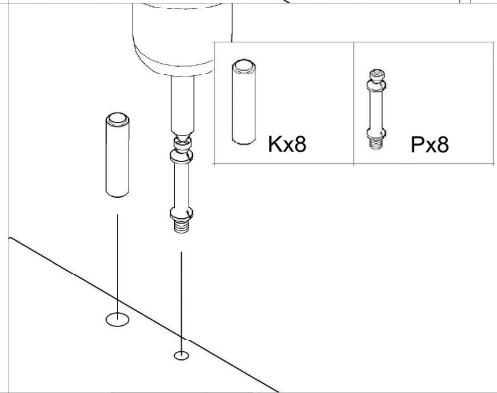
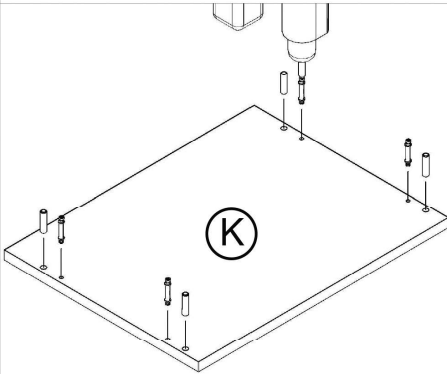


SIDE A

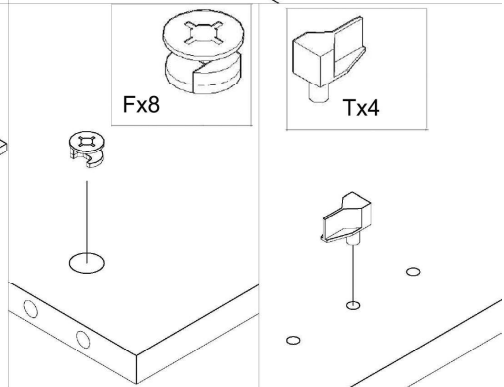
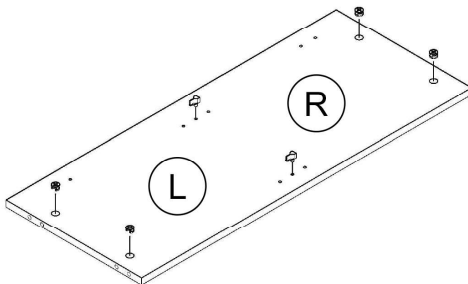
2



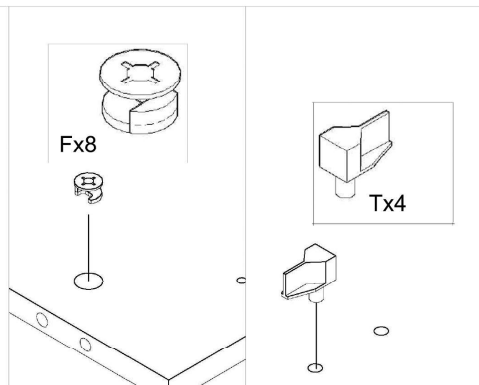
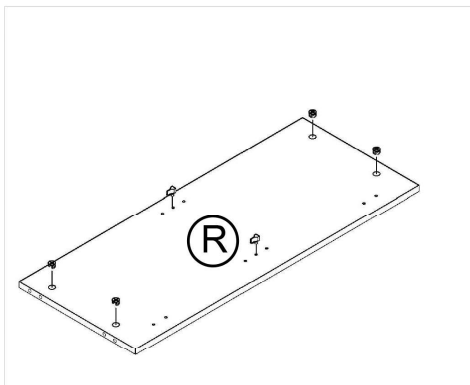
3



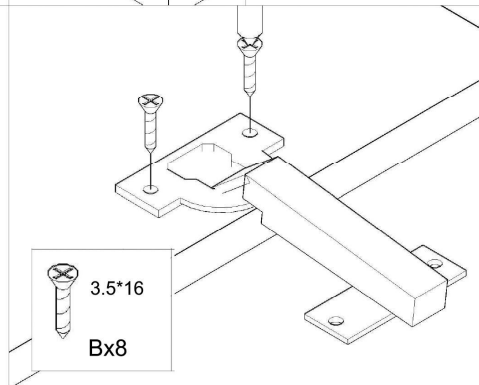
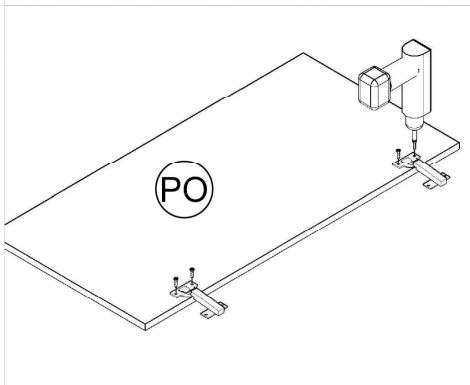
4



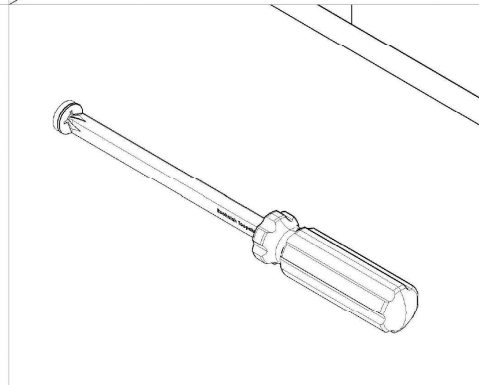
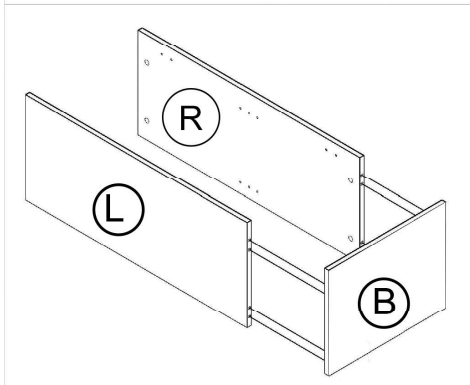
5



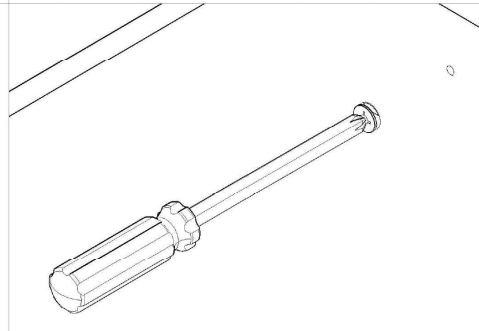
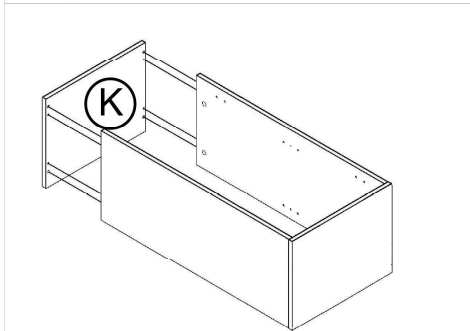
6



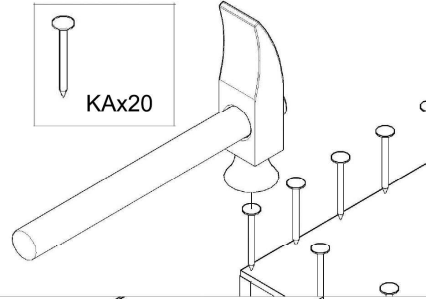
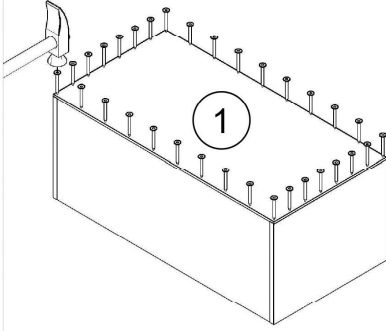
7



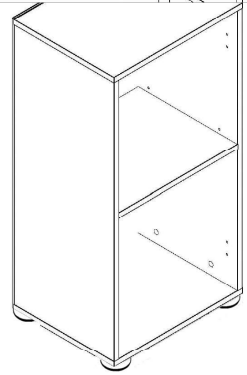
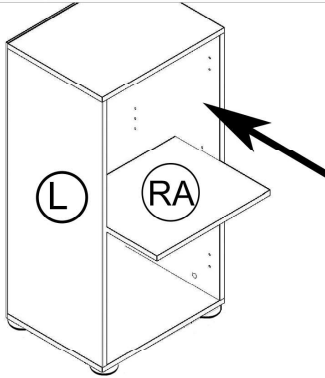
8



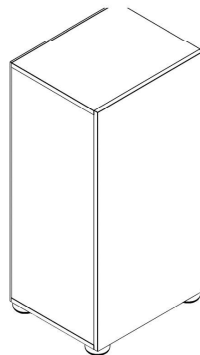
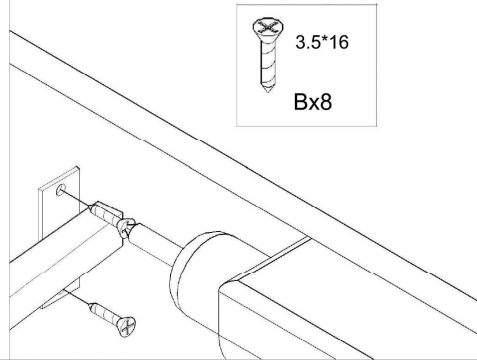
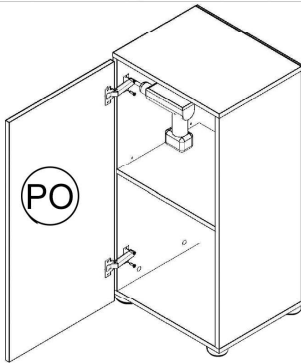
9



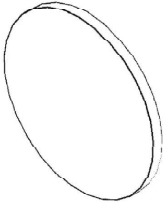
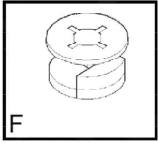
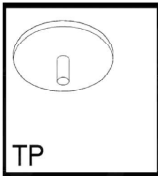
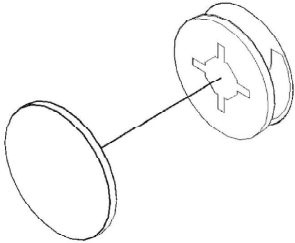
10



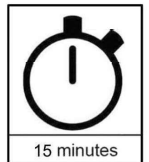
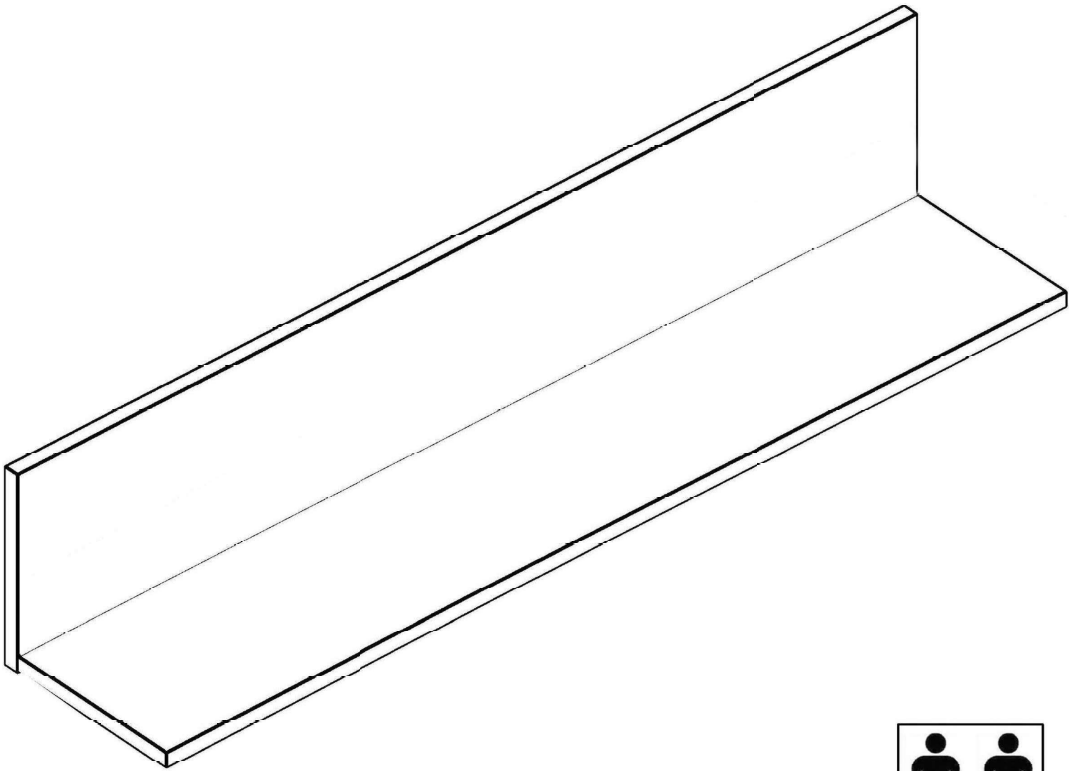
11

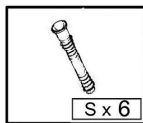
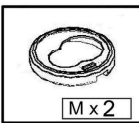
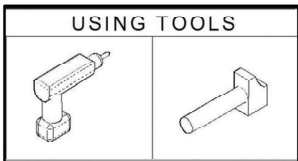
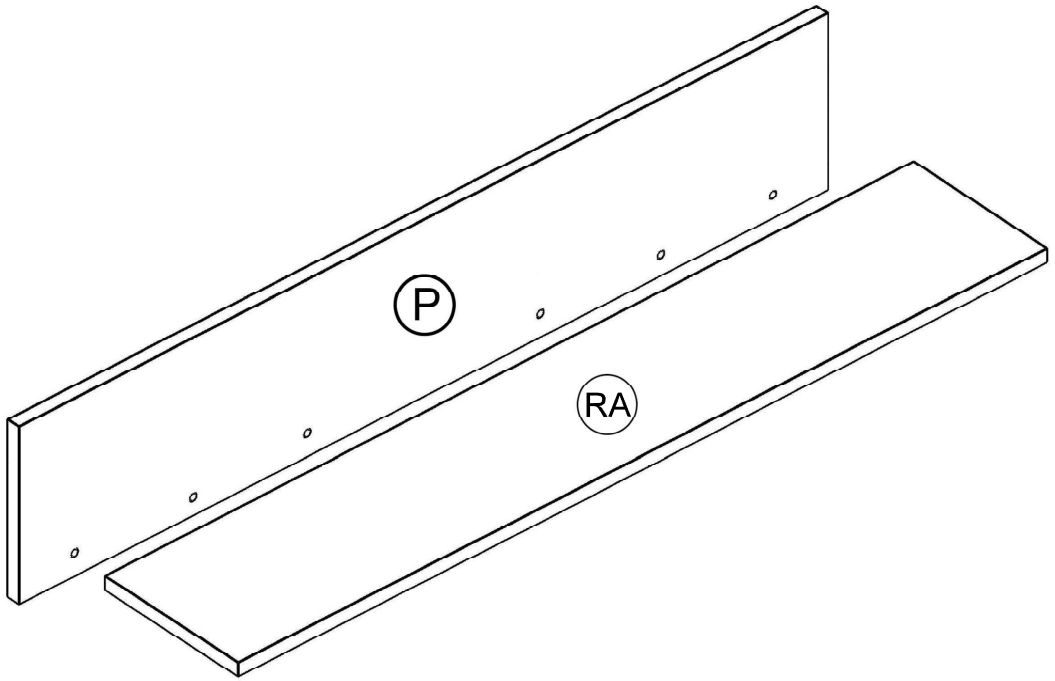


PLASTIC COVER CAPS FOR SCREWS

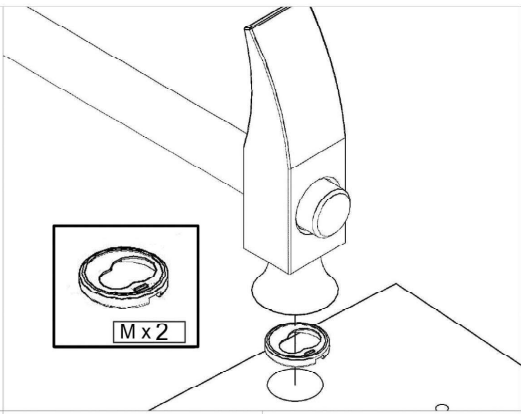
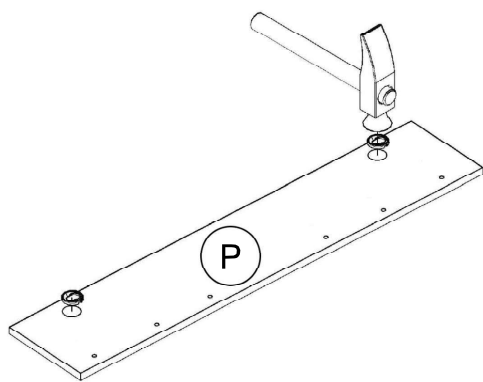


GRK 03 C

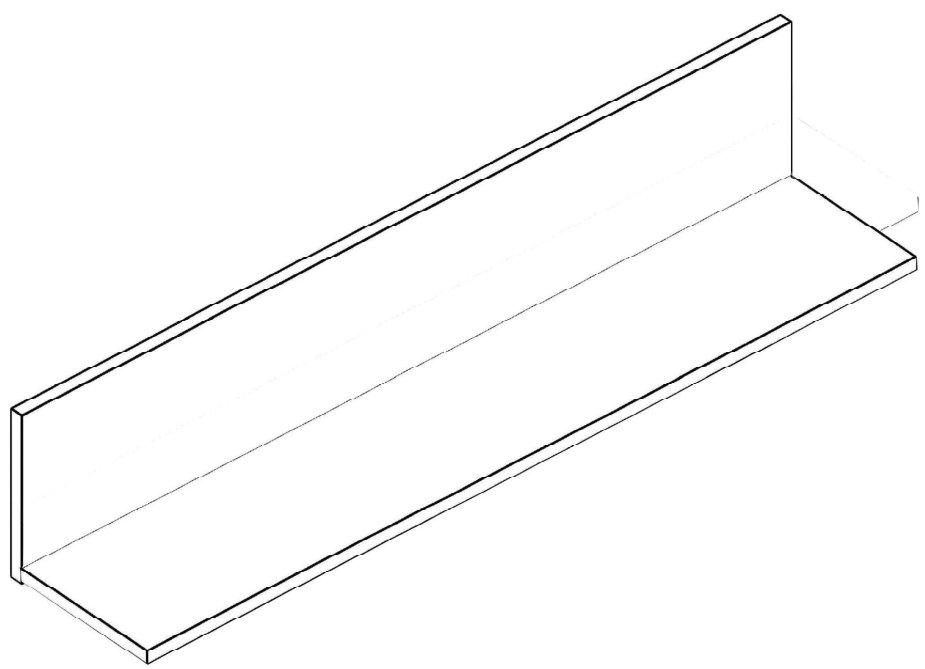
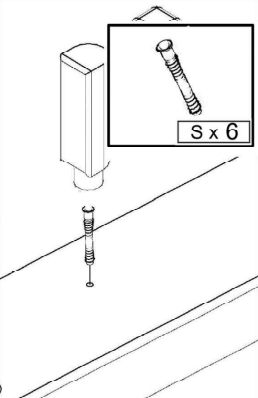
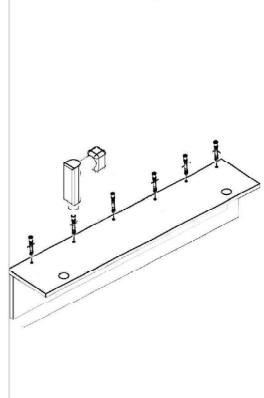
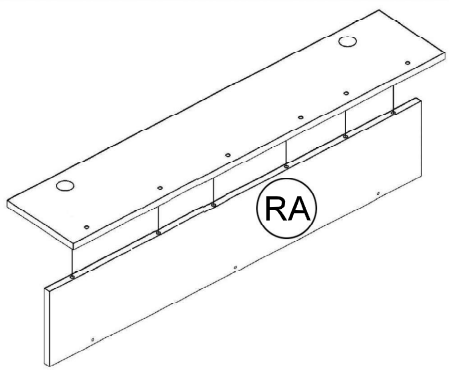




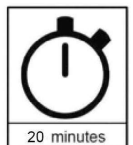
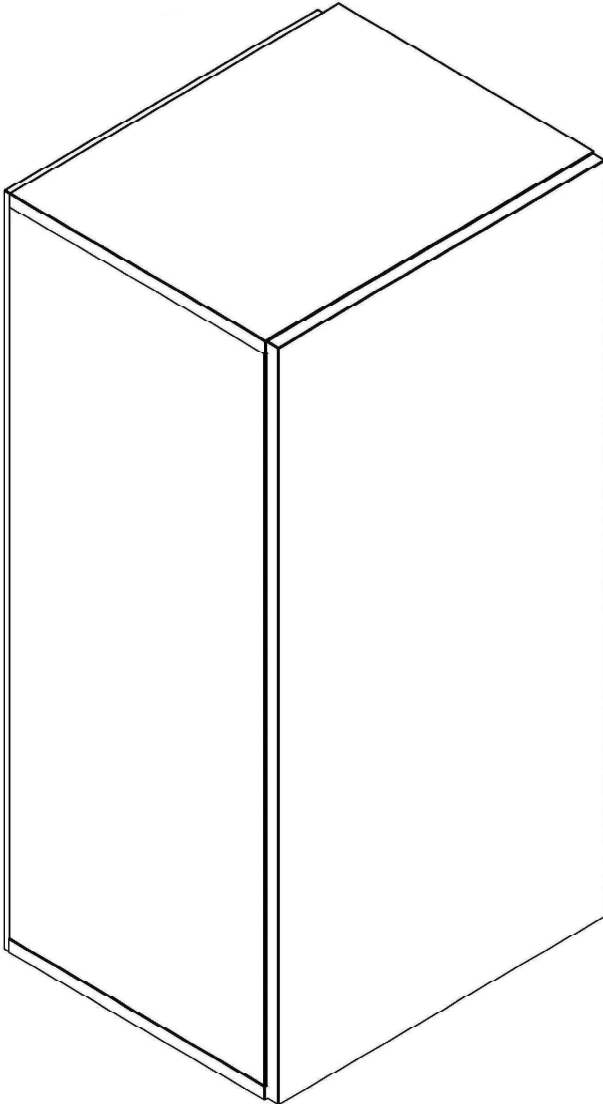
1

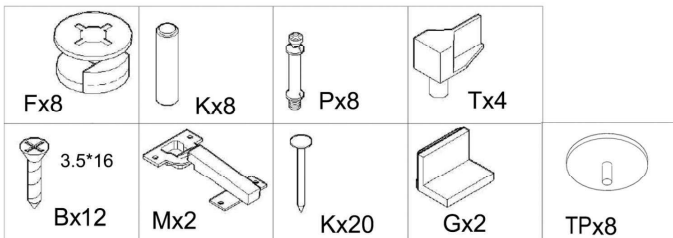
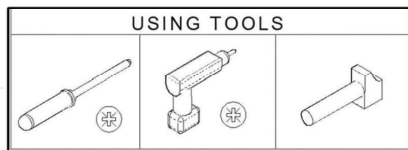
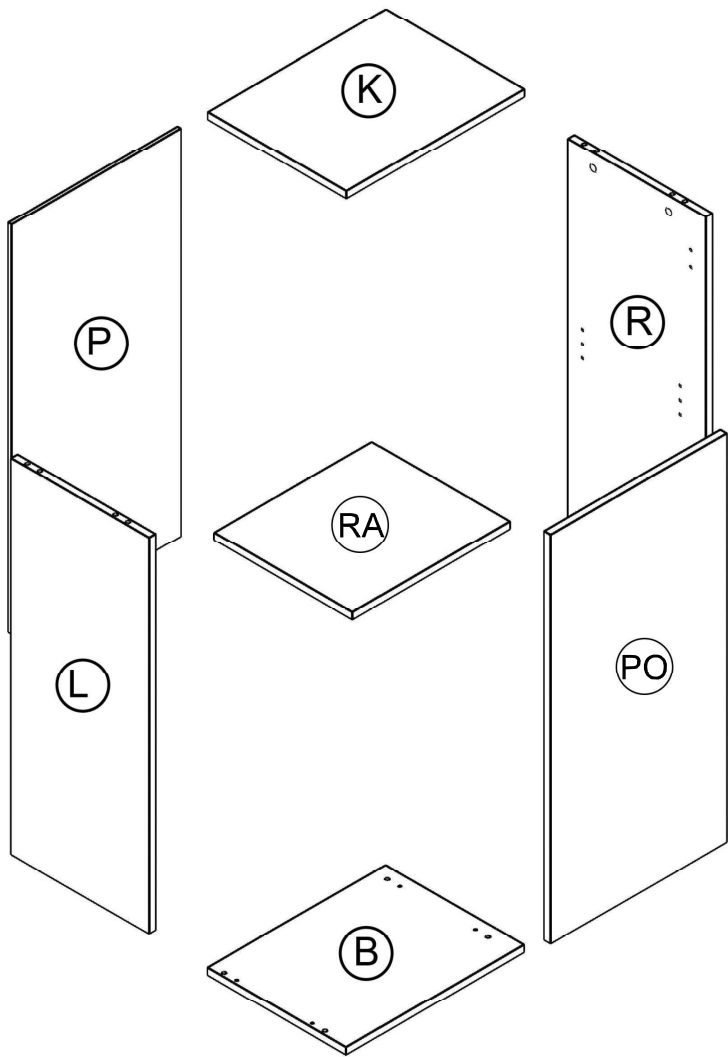


2

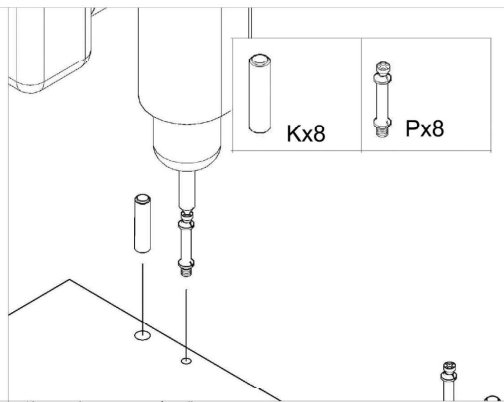
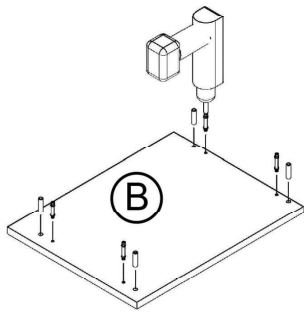


GRK03.D

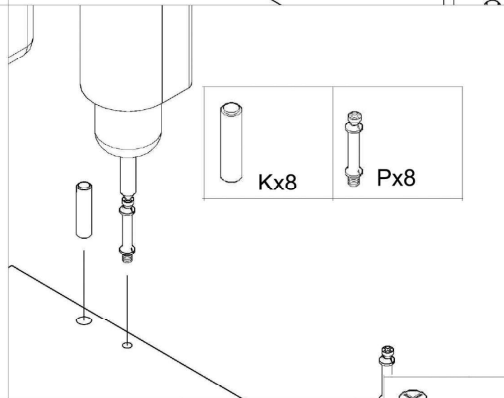
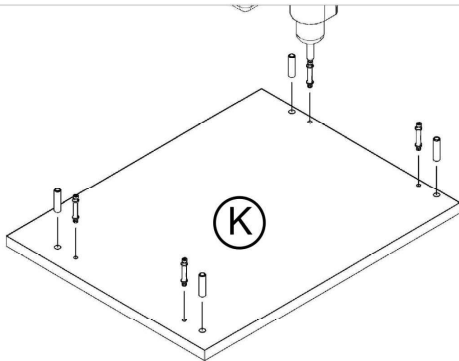




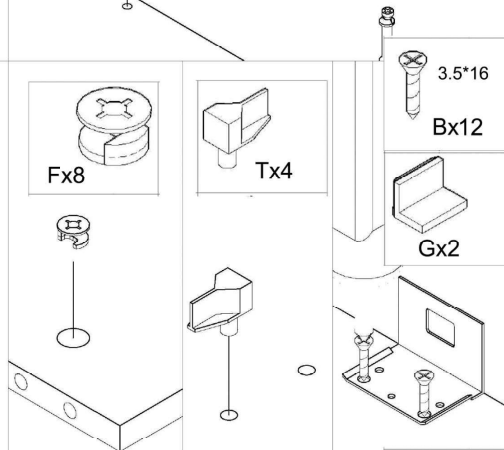
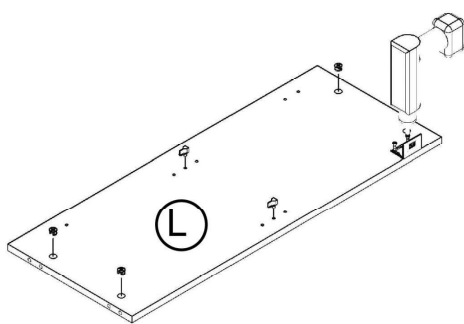
1



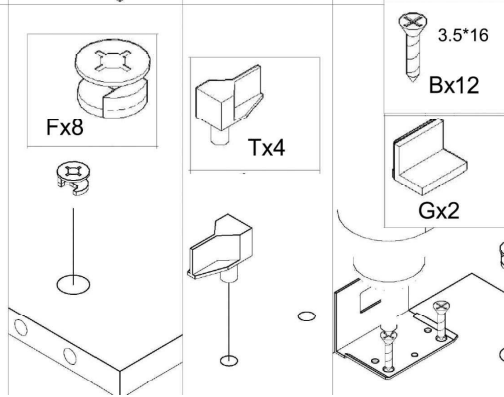
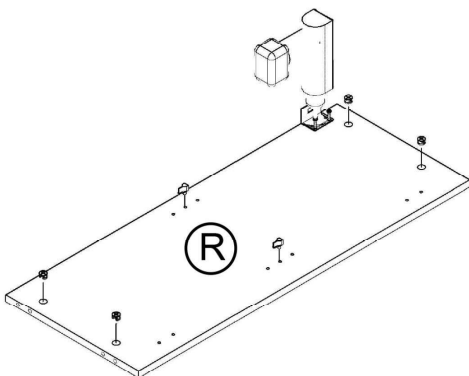
2



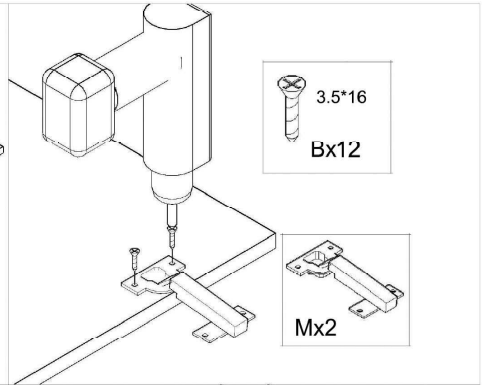
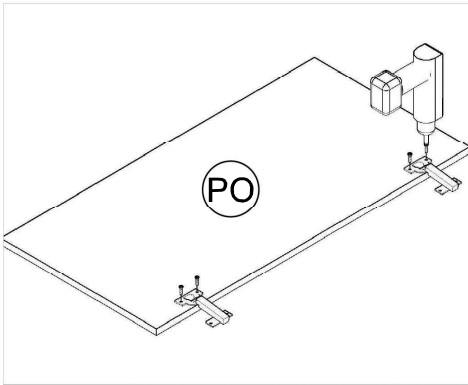
3



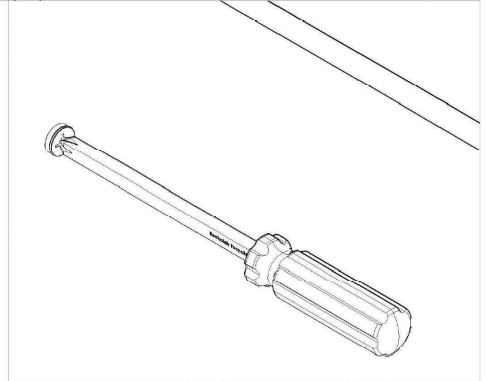
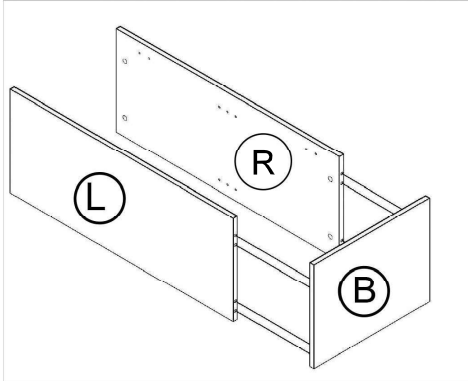
4



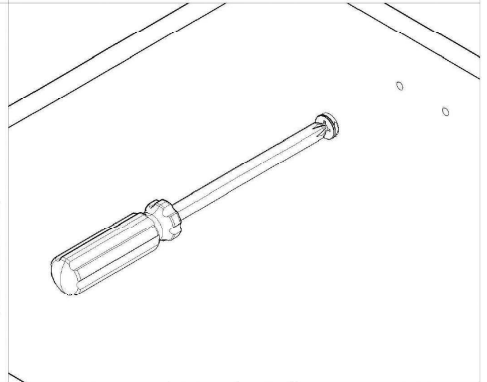
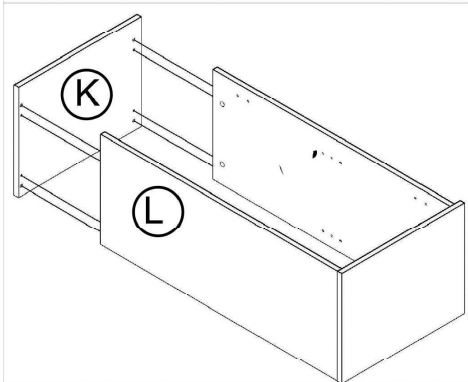
5



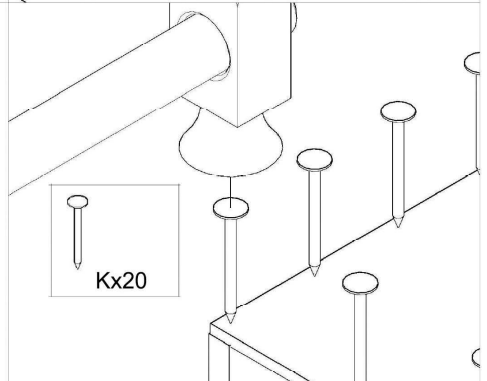
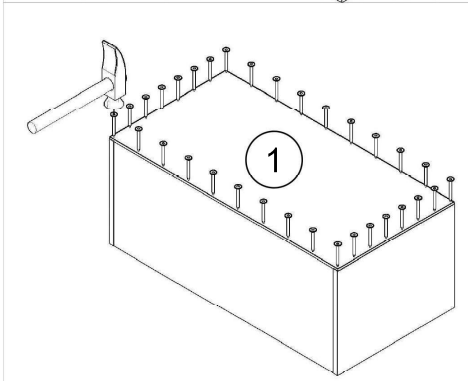
6



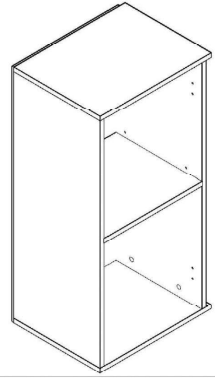
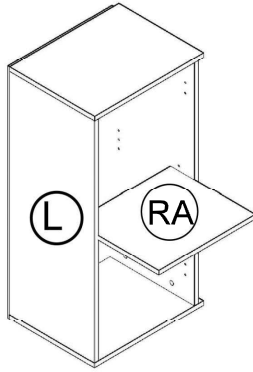
7



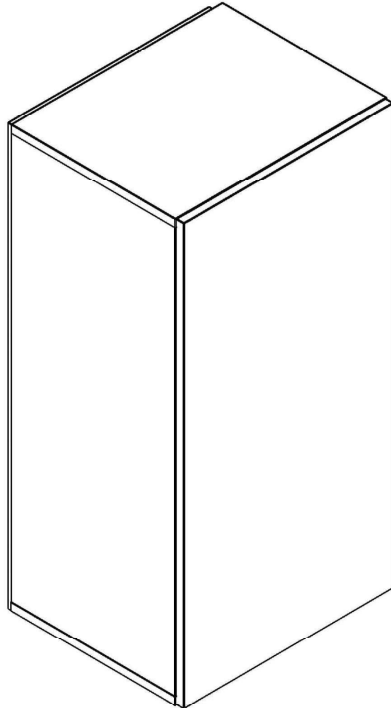
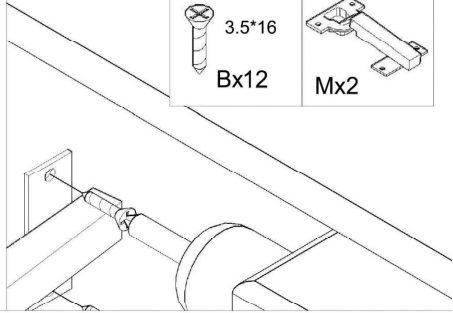
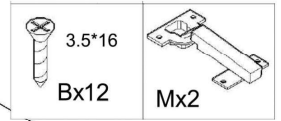
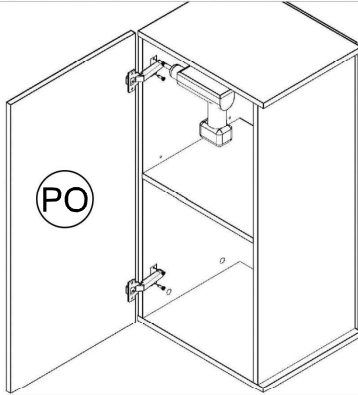
8

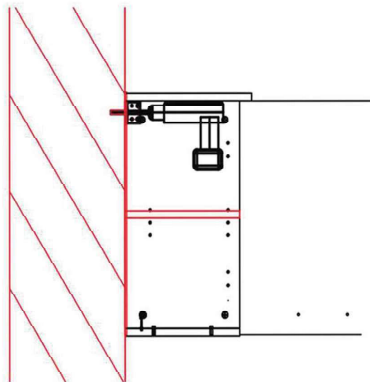
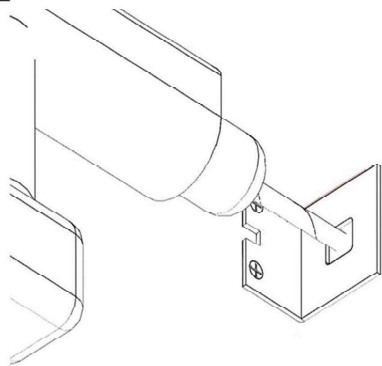
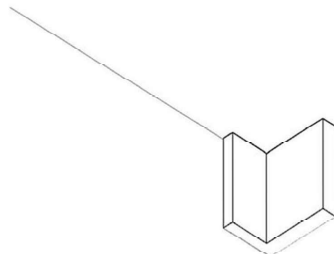
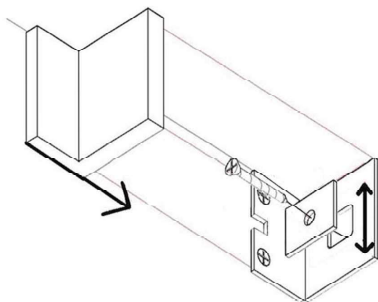


9



10



A**B**

PLASTIC COVER CAPS FOR SCREWS

