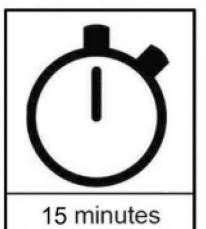
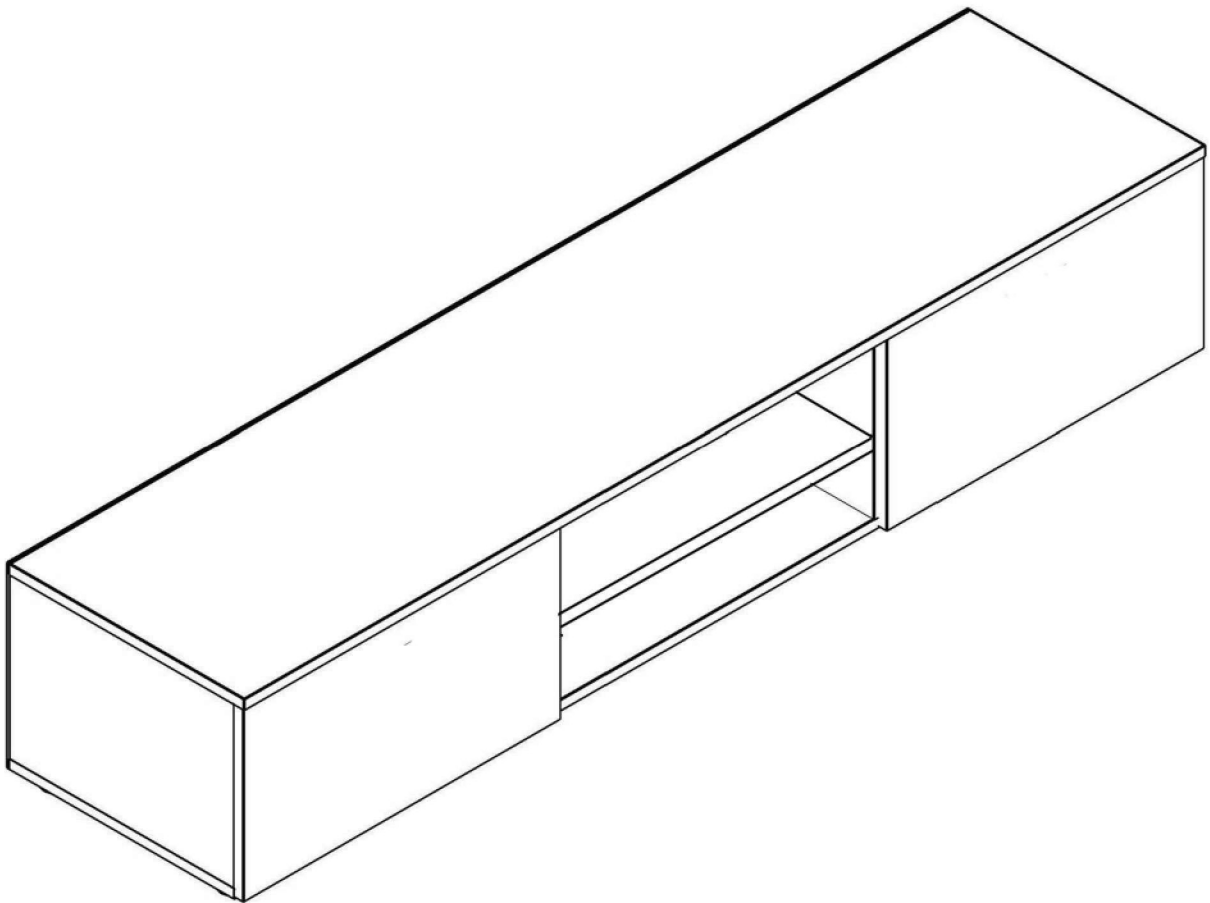
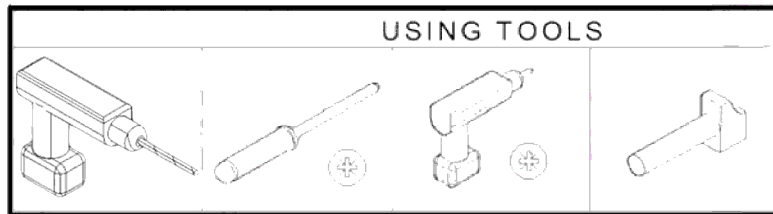
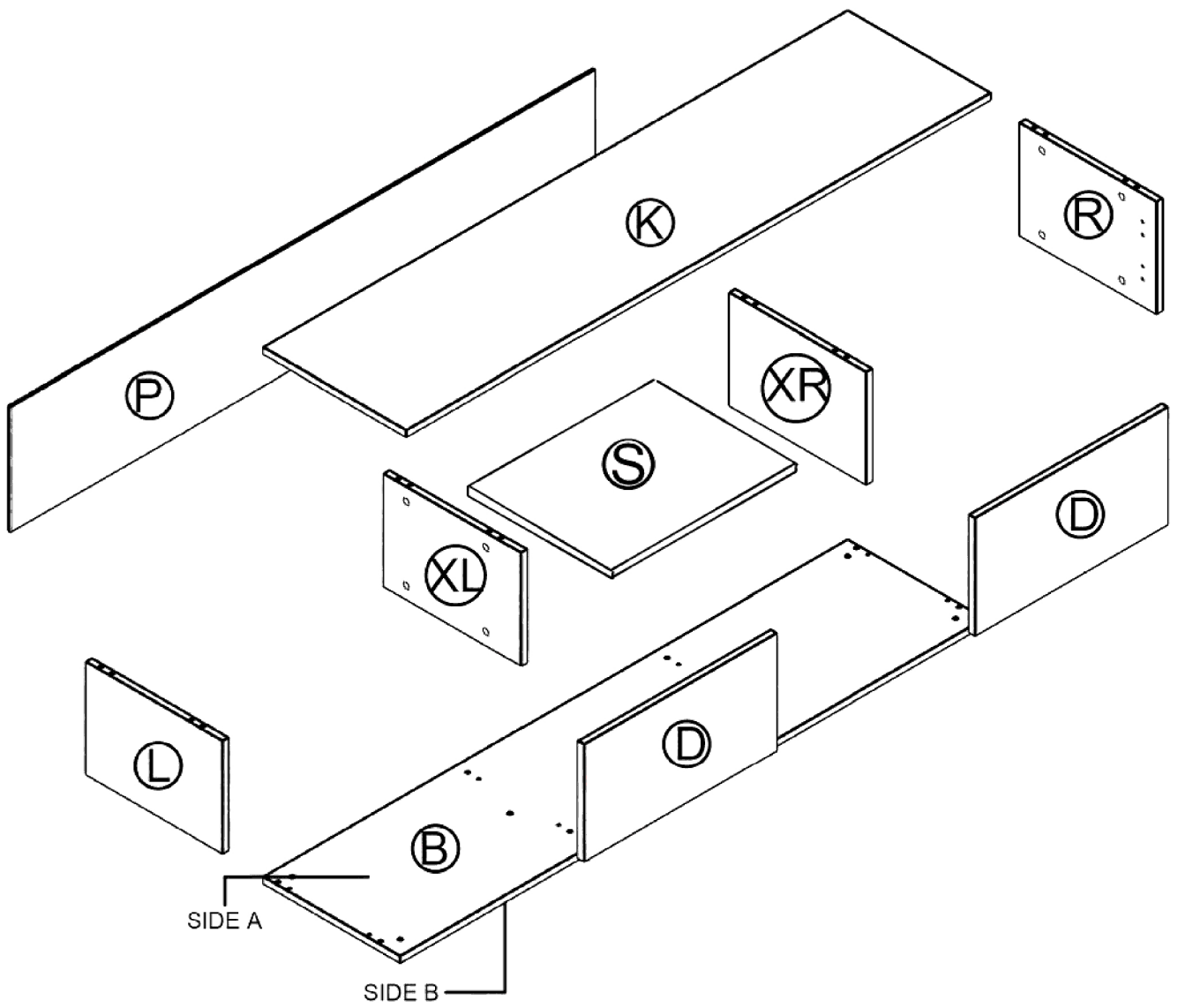


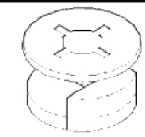



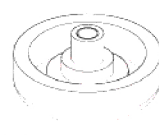



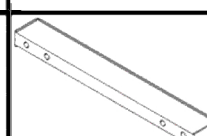


GRK47A

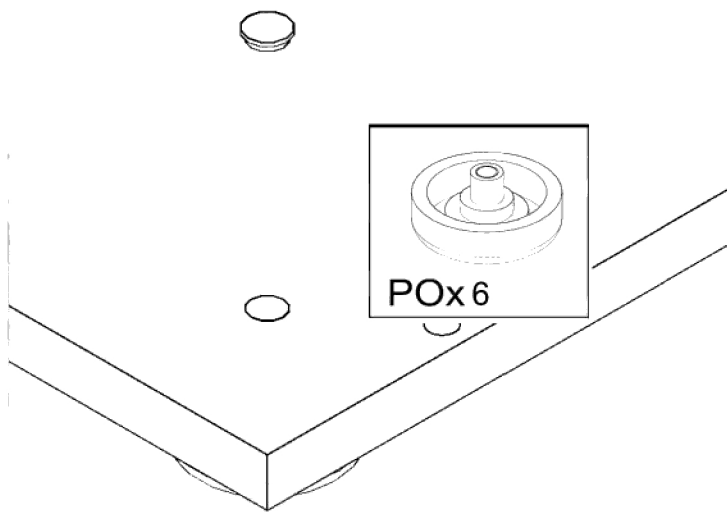
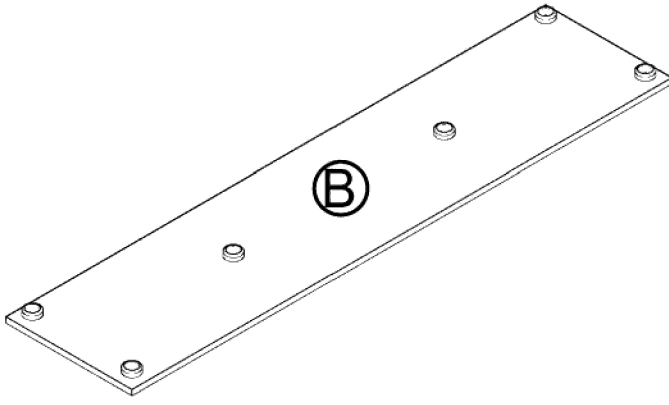




 P x 20	 K x 20	 F x 20	 S x 2	 TP x 20	
 M x 4	 PO x 6	 K2 x 30	 3.5*16 B1 x 26	 4x30 B x 4	 H x 2

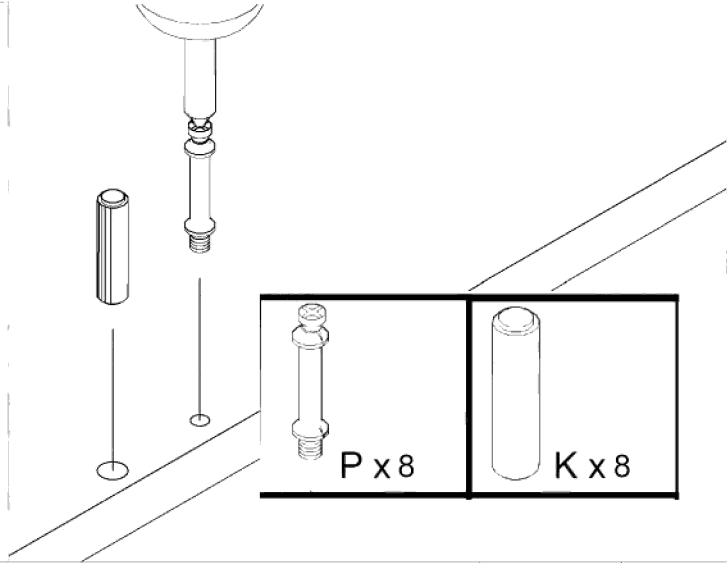
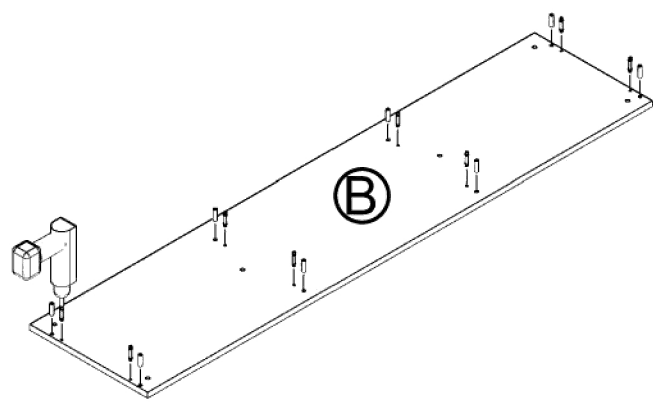
SIDE B

1

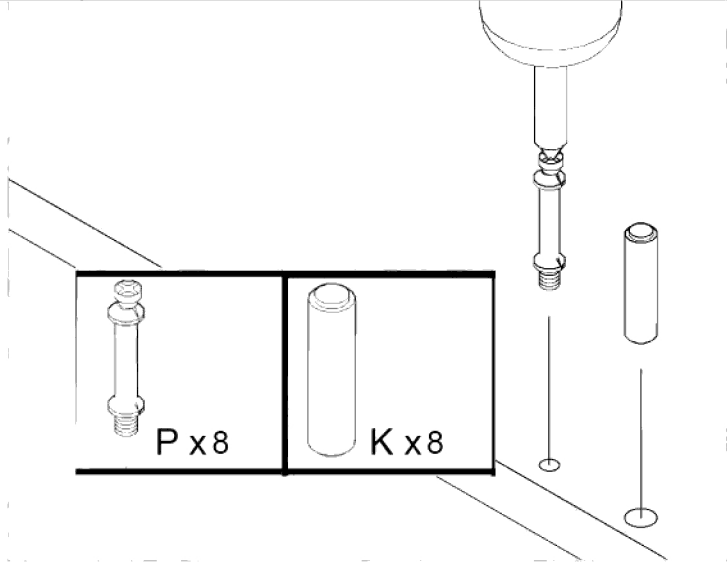
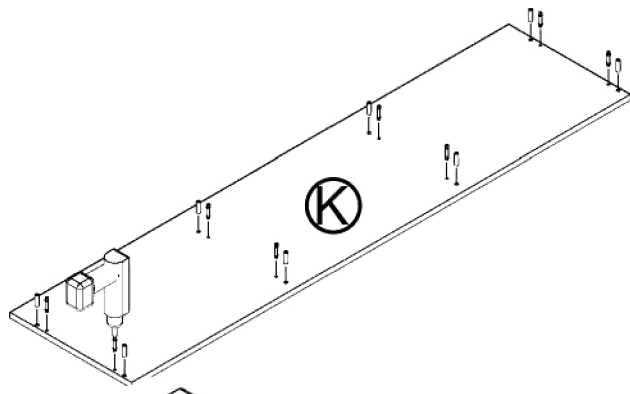


2

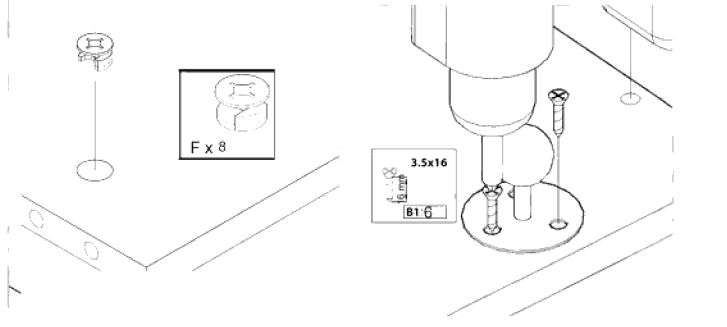
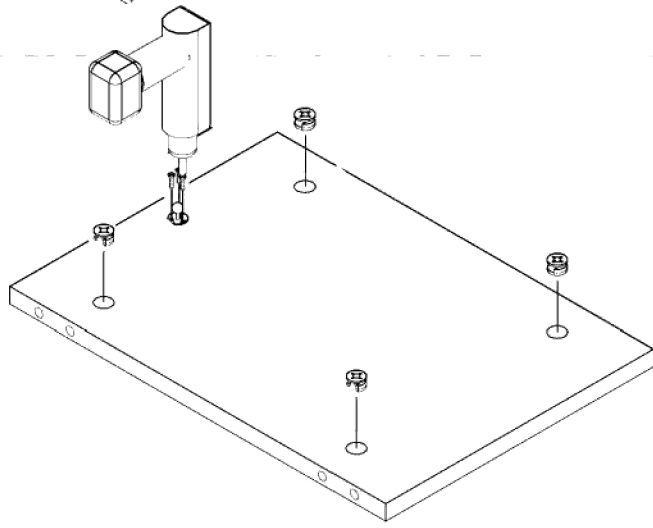
SIDE A



3



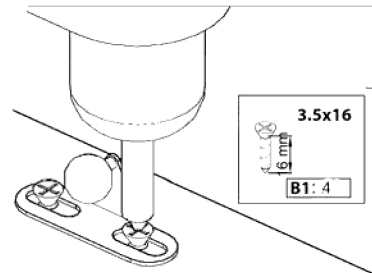
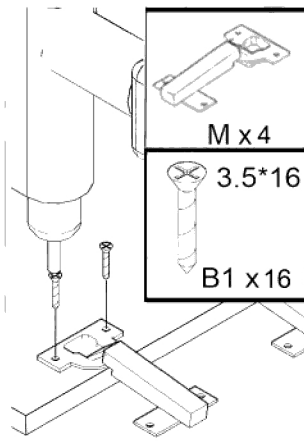
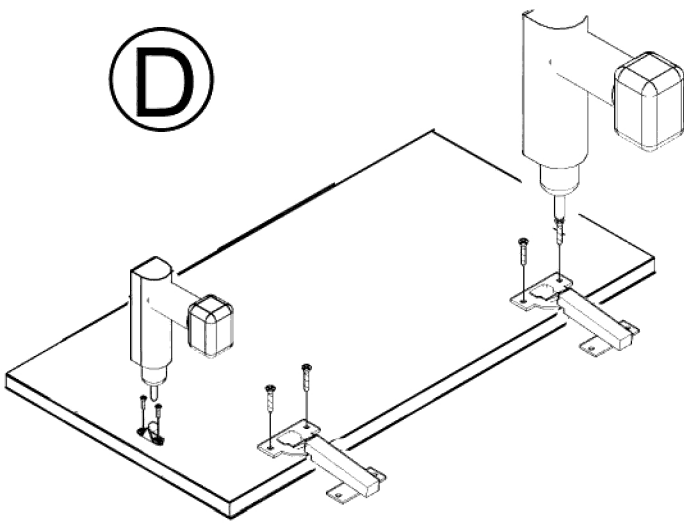
4



Ⓛ + Ⓜ

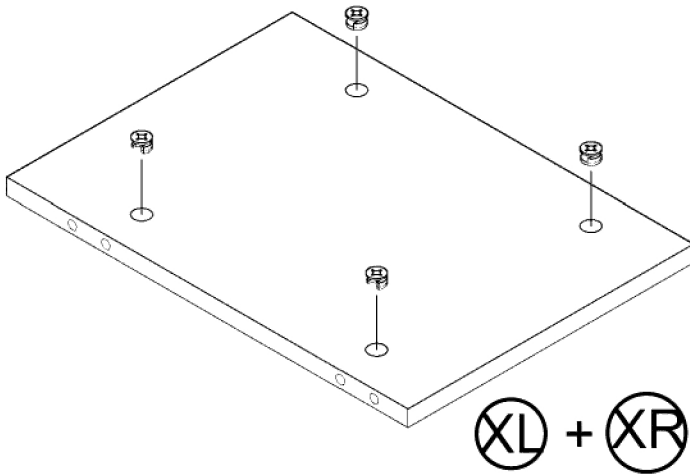
5

D

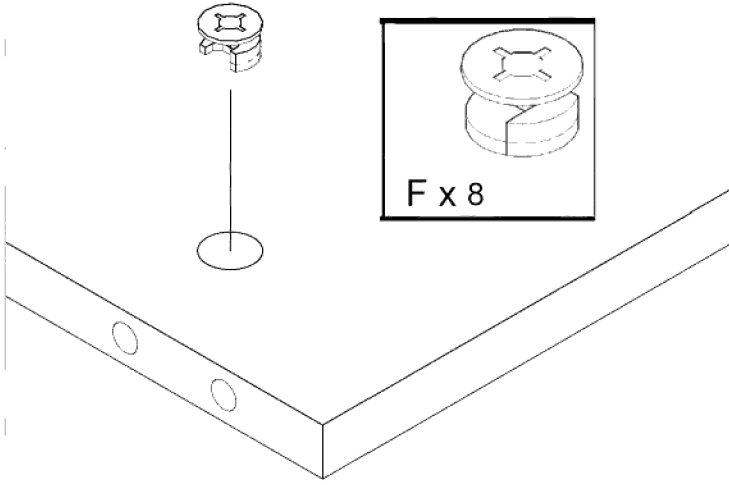


6

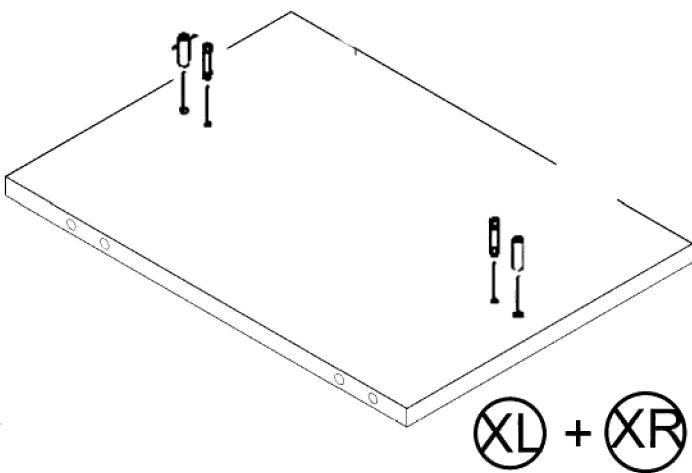
OUT



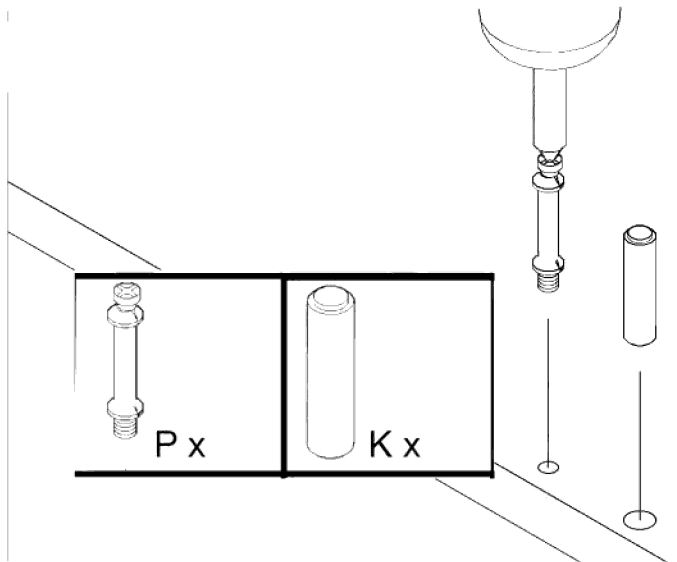
XL + XR



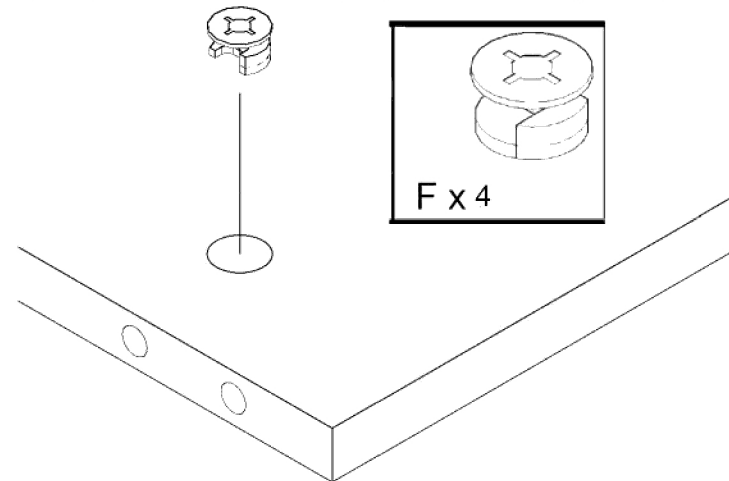
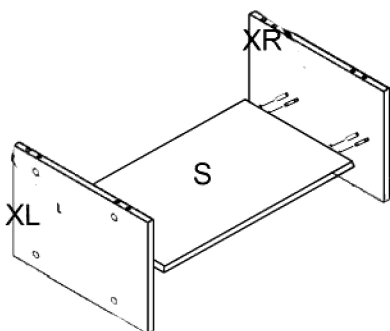
IN



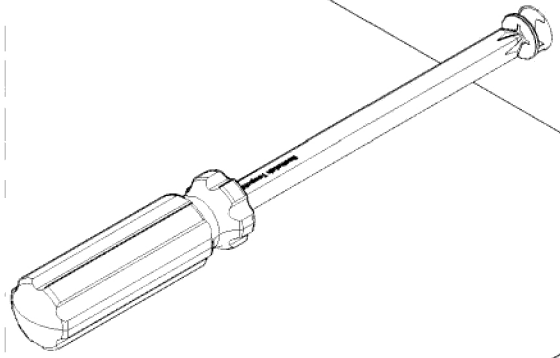
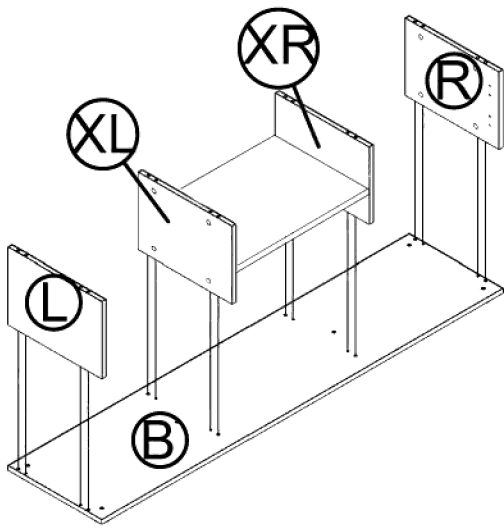
XL + XR



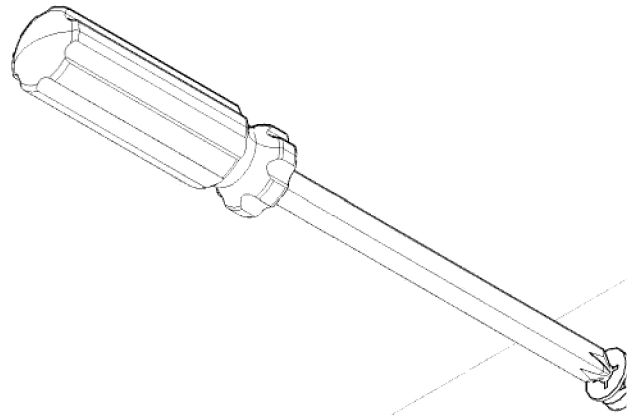
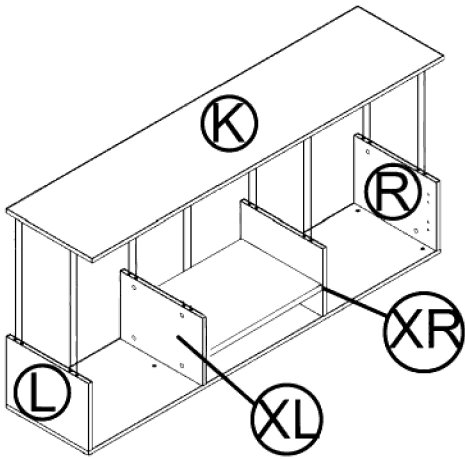
7



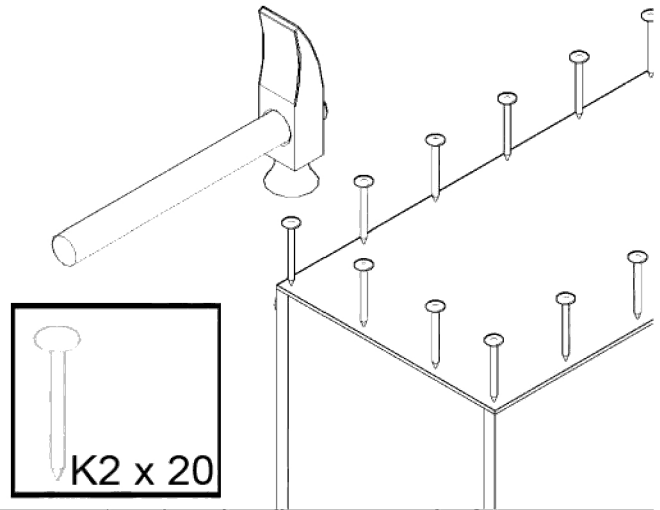
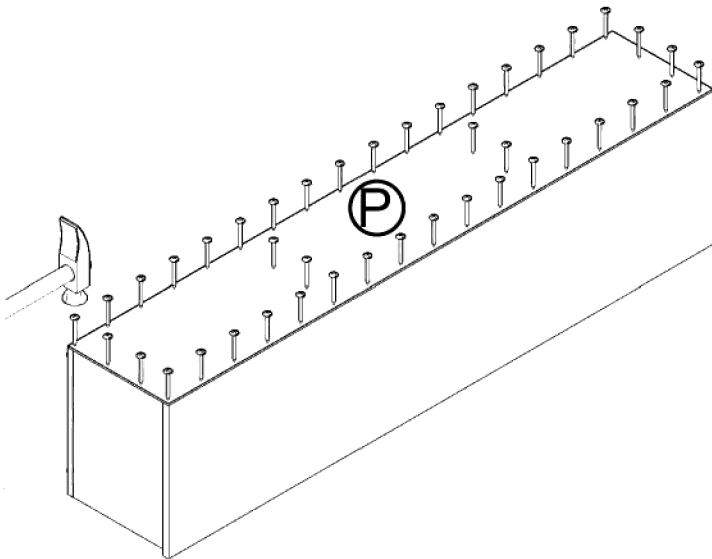
8



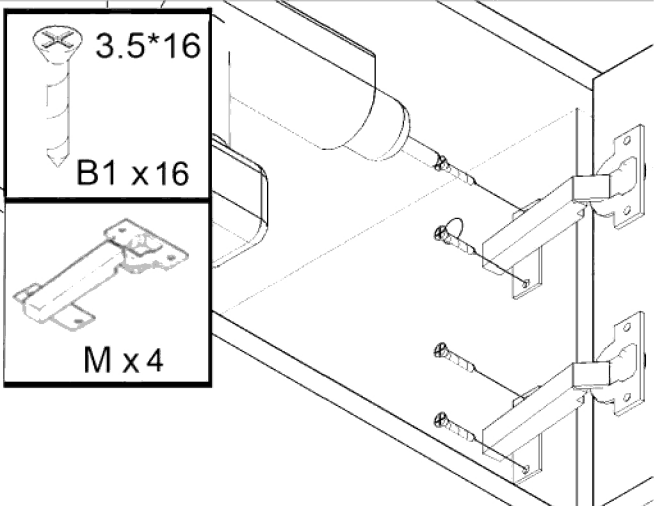
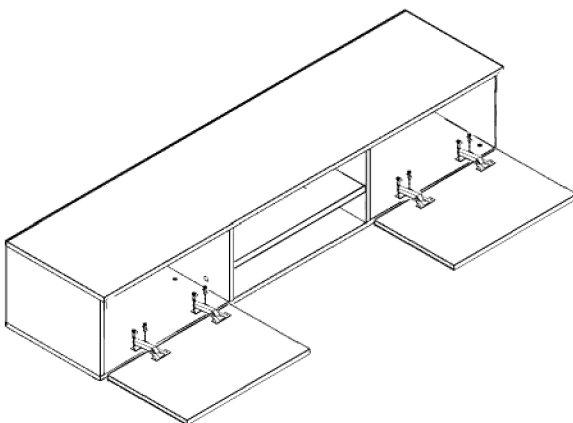
9



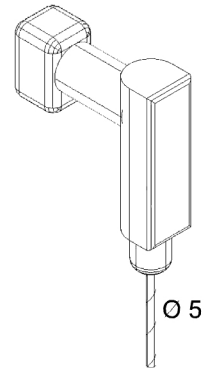
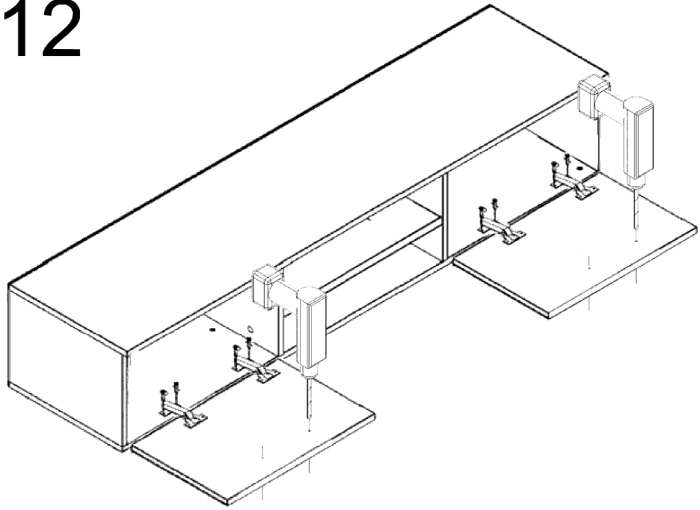
10



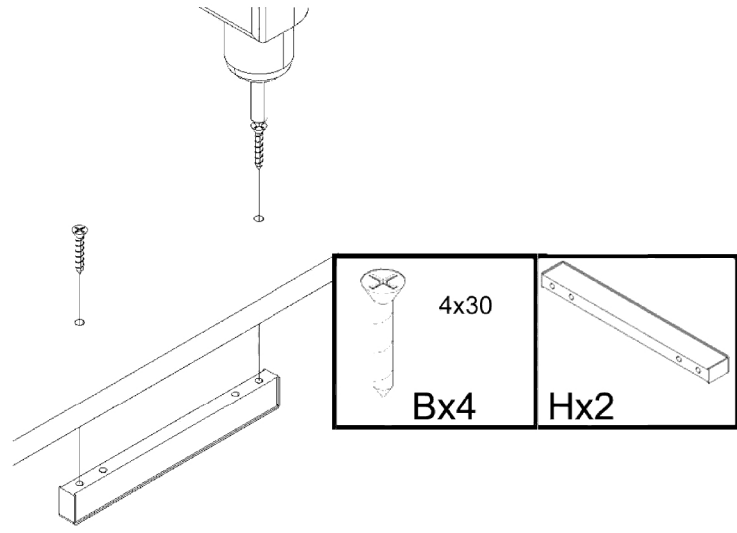
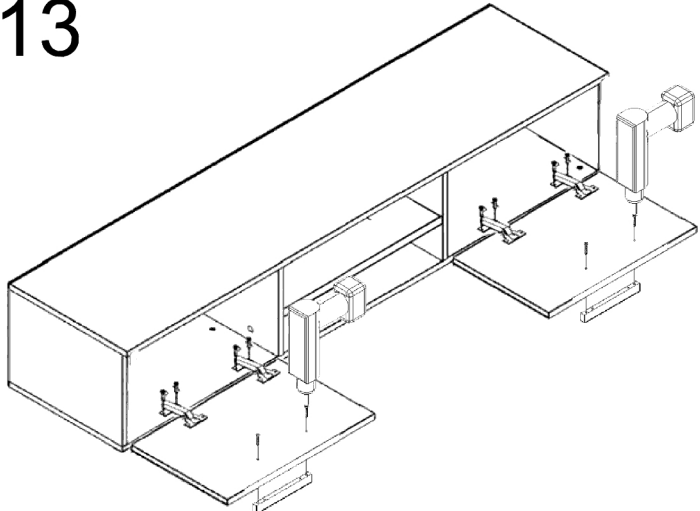
11



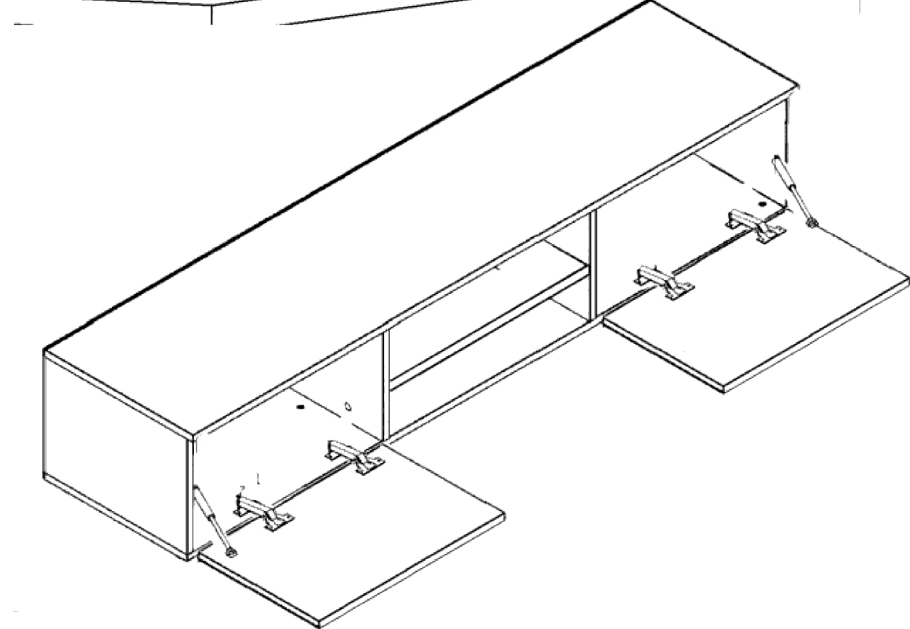
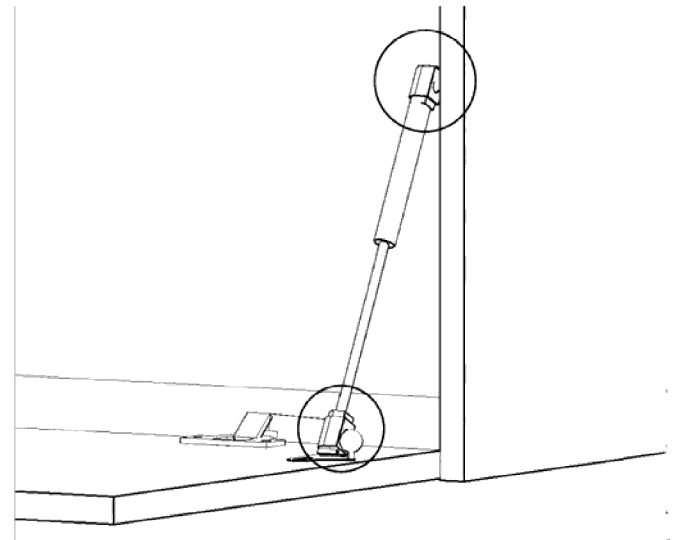
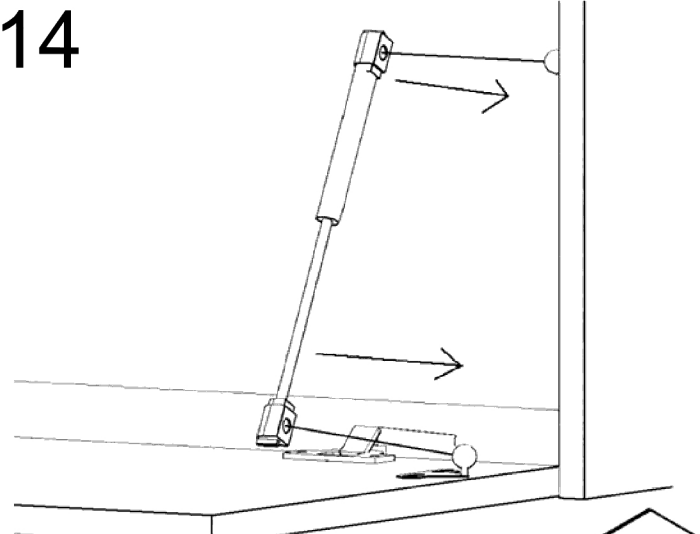
12



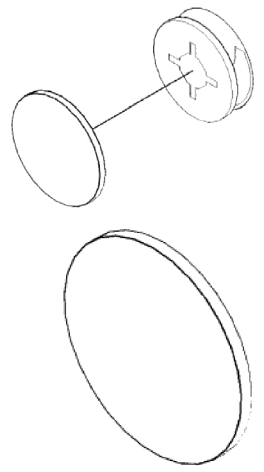
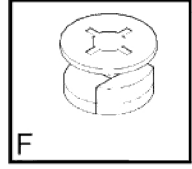
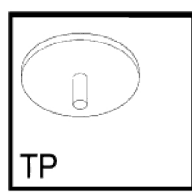
13



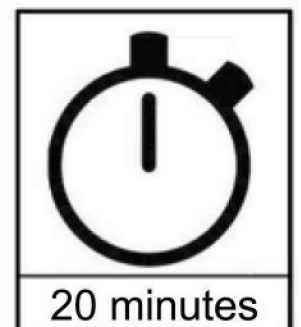
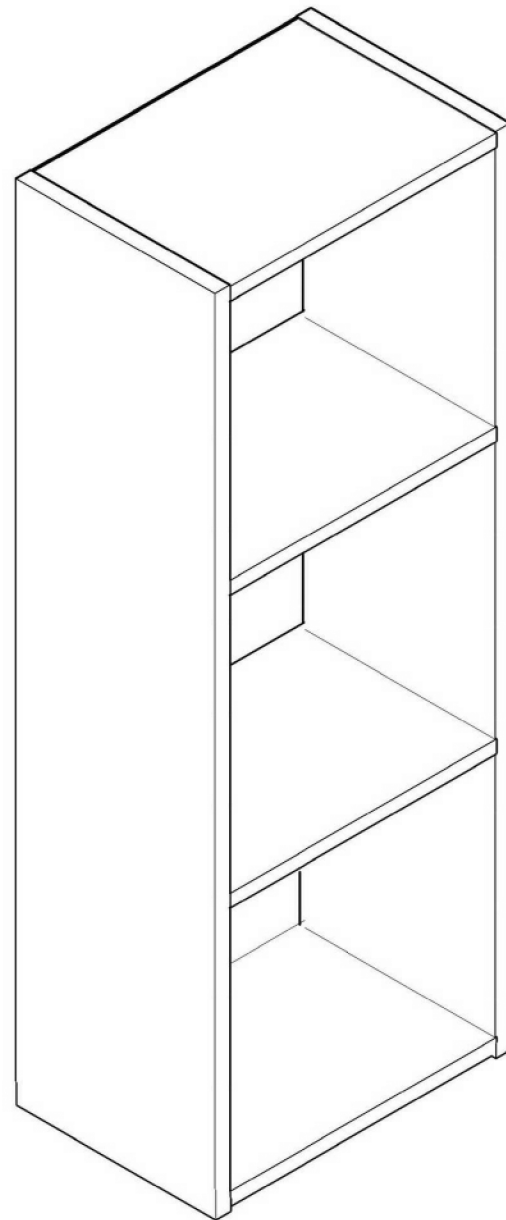
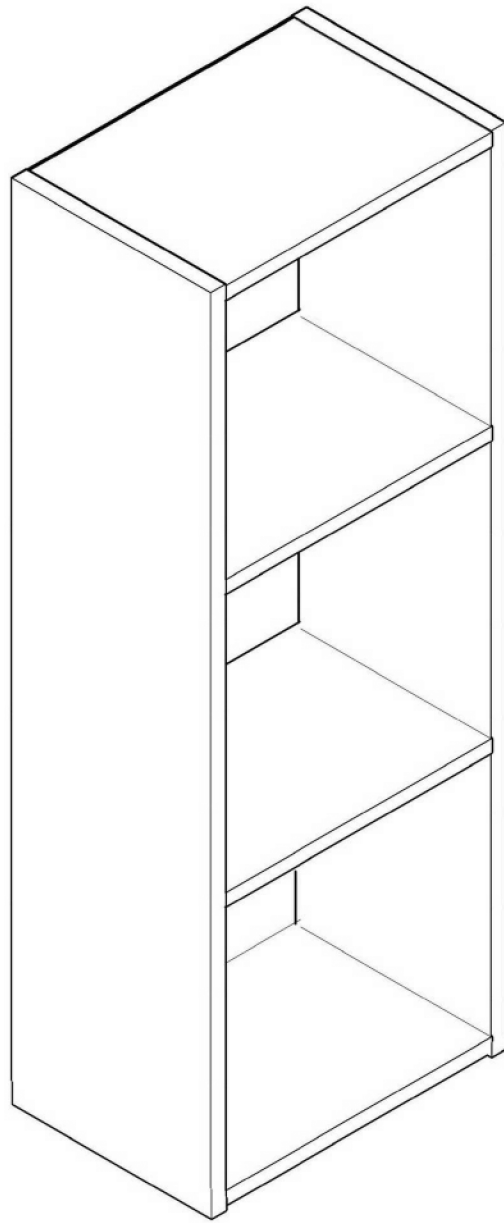
14

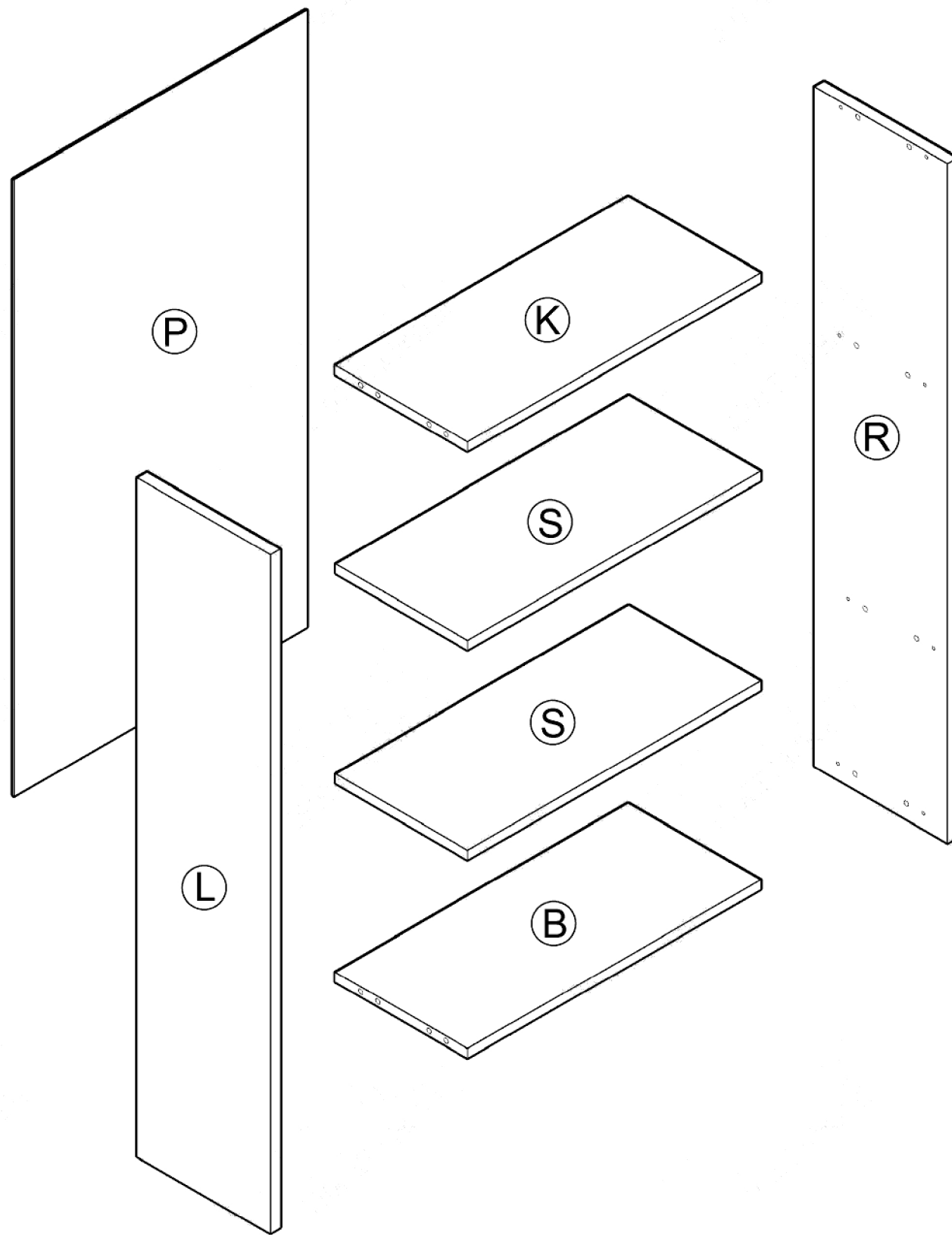


PLASTIC COVER CAPS FOR SCREWS

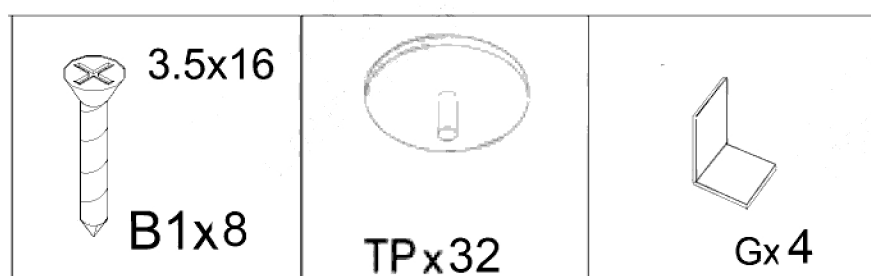
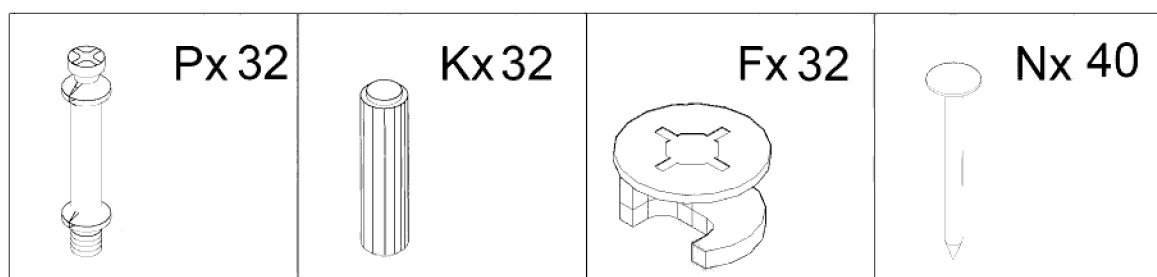
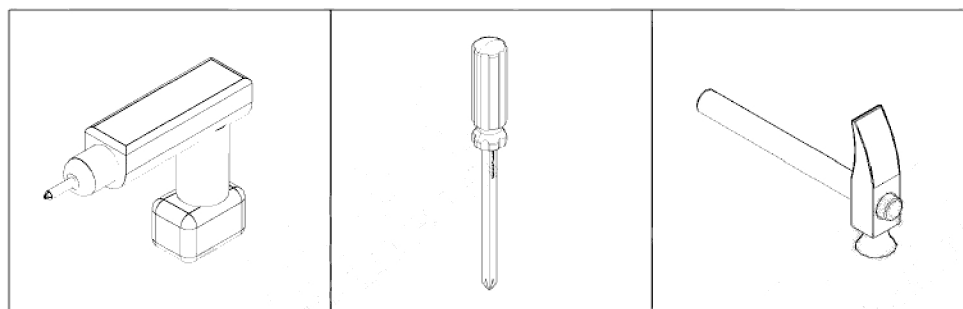


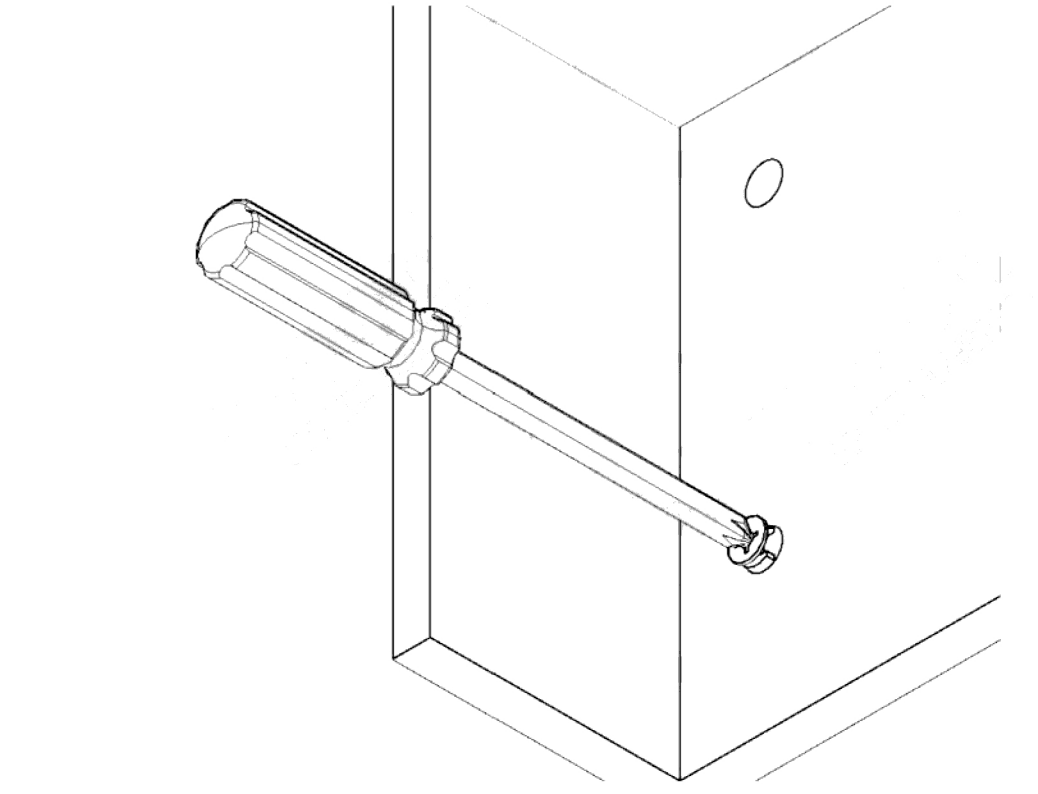
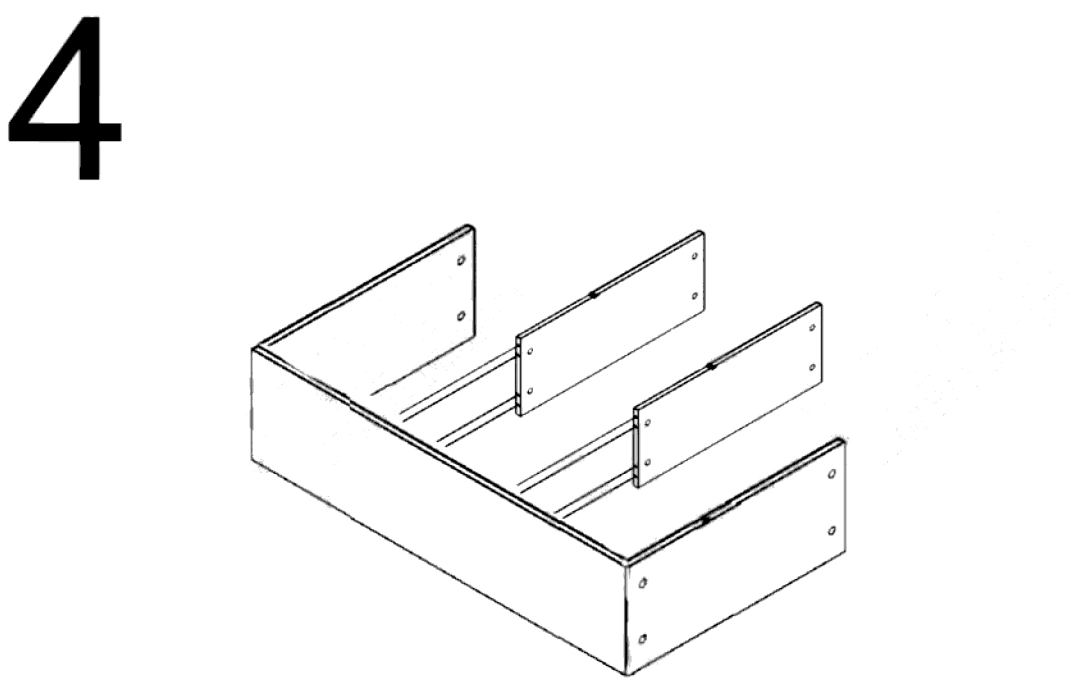
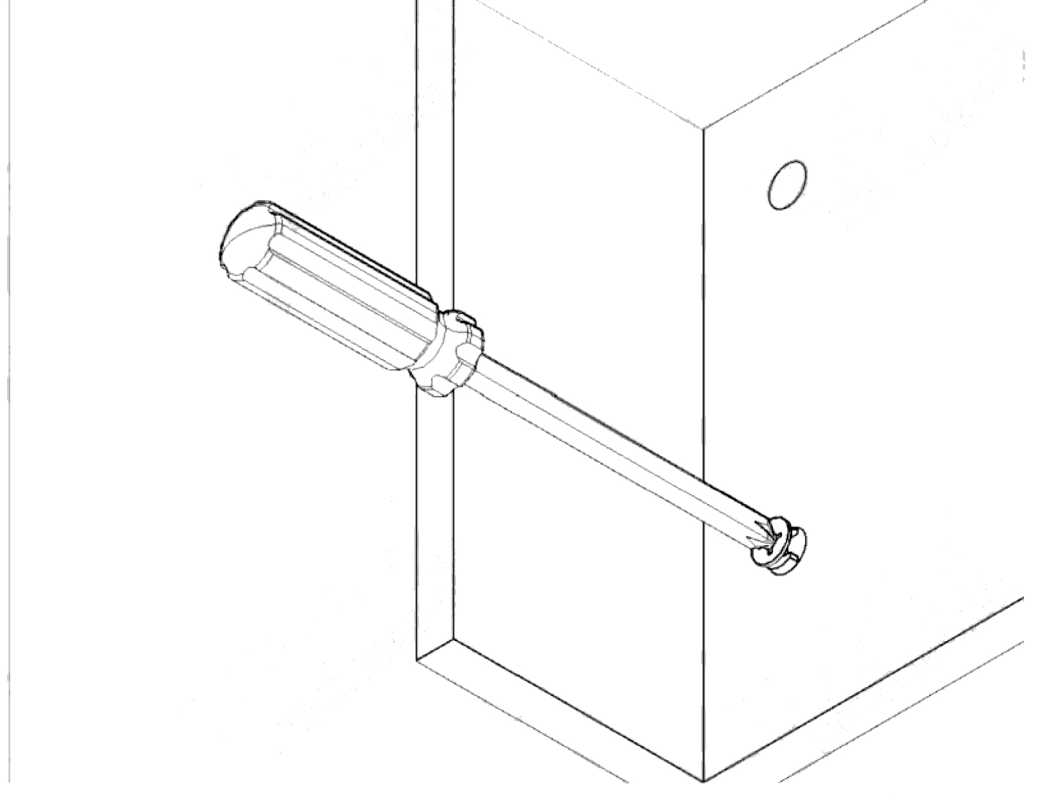
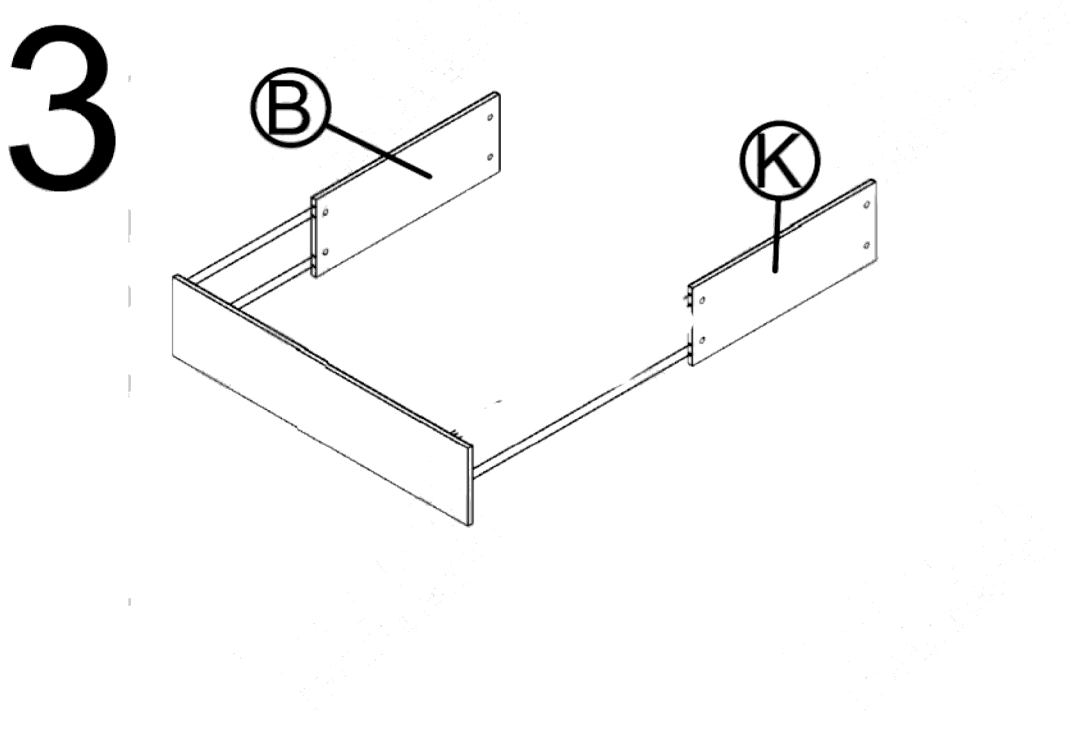
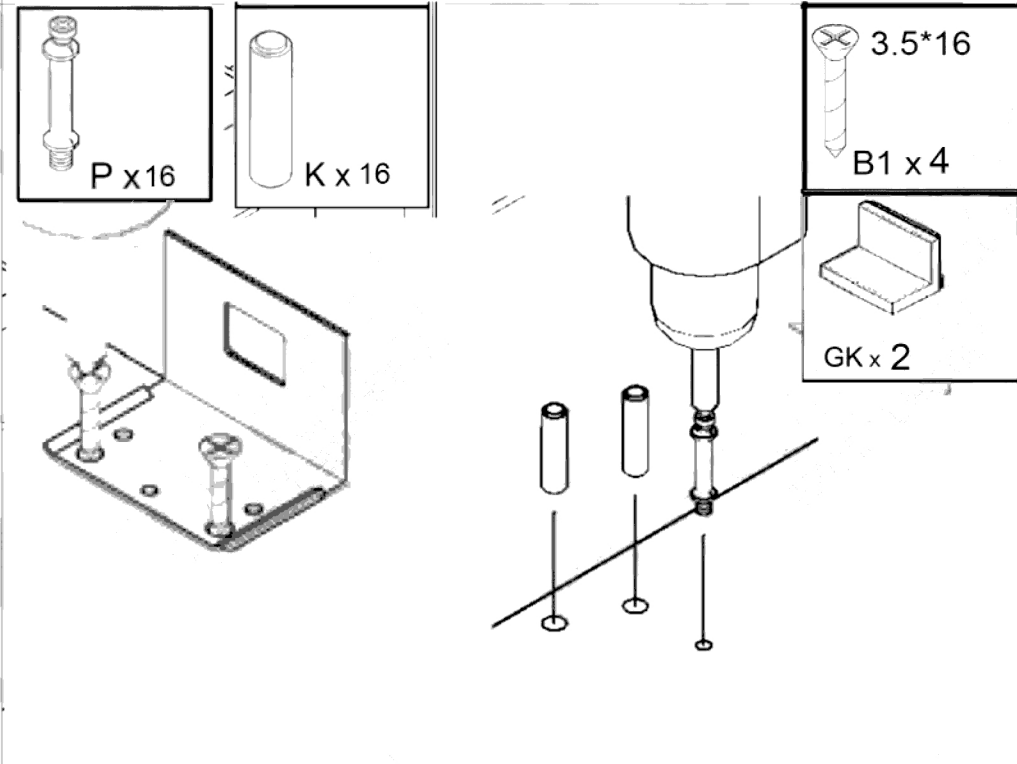
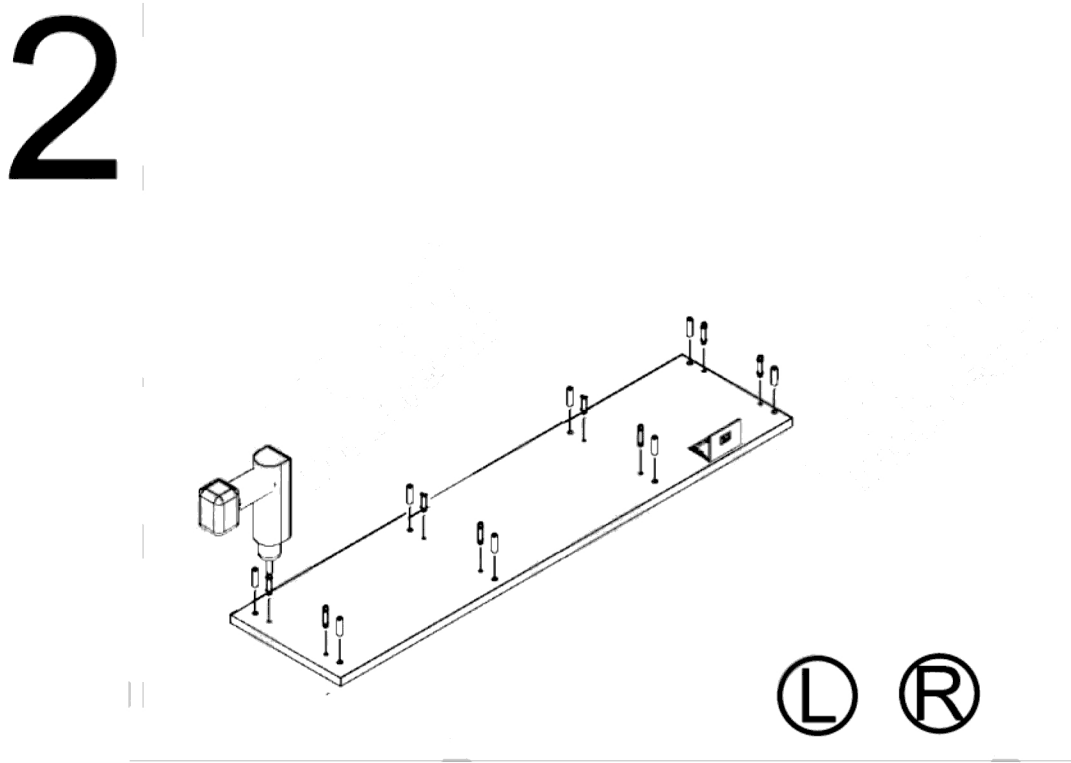
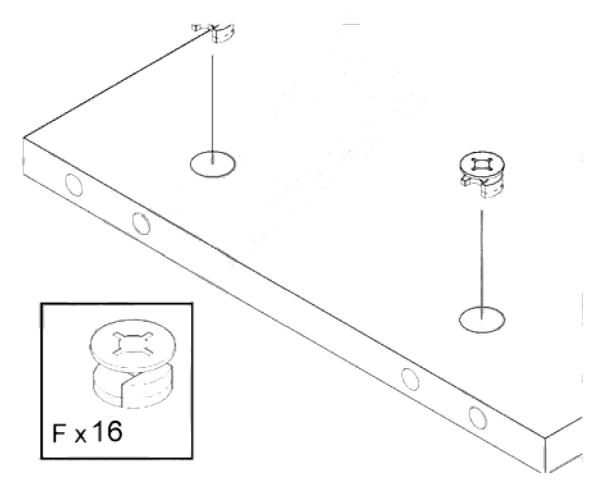
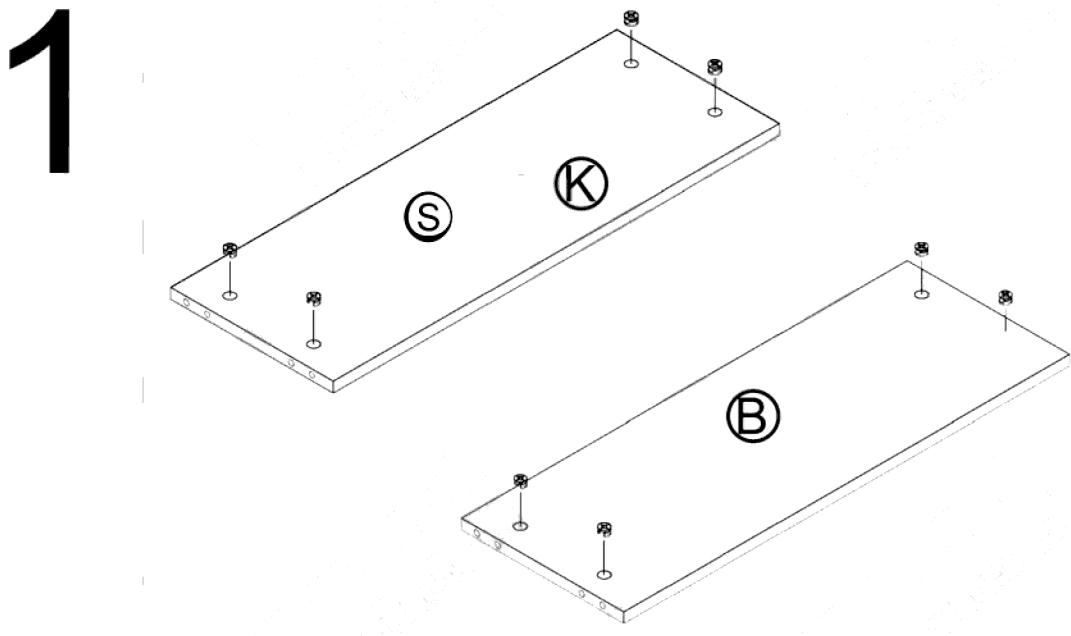
GRK47B



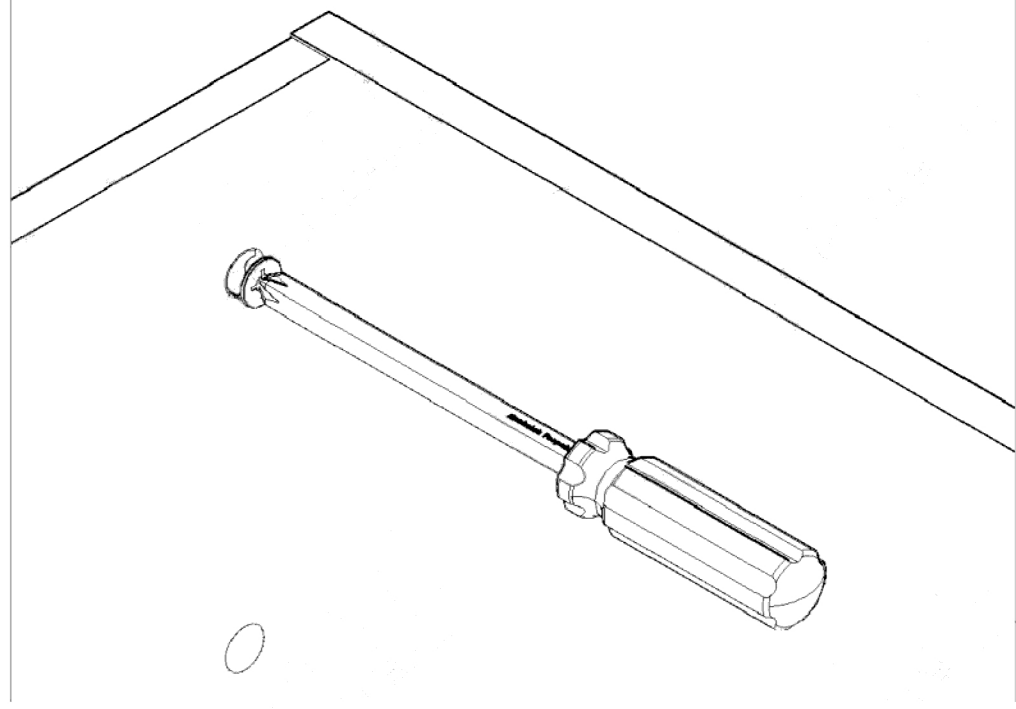
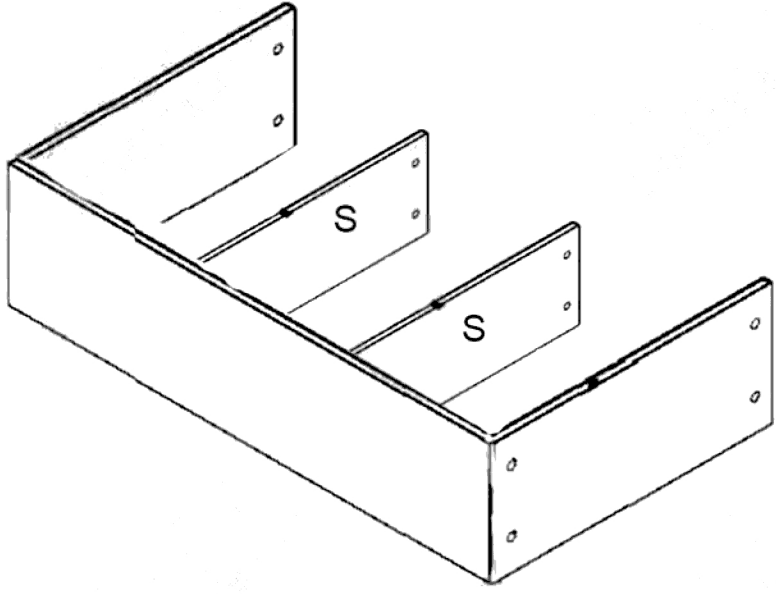


USING TOOLS

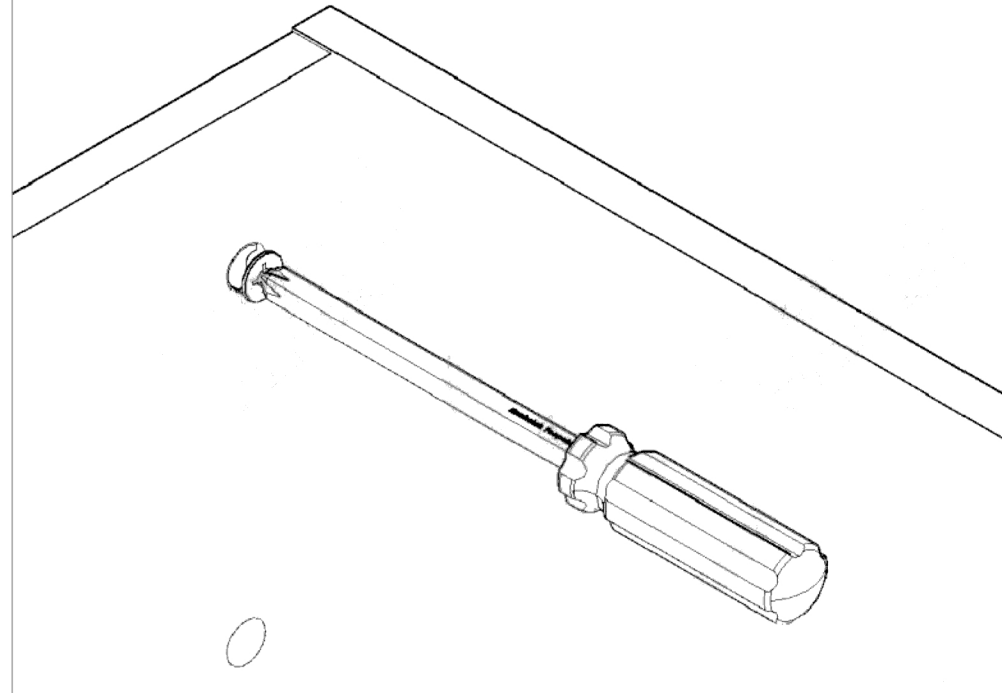
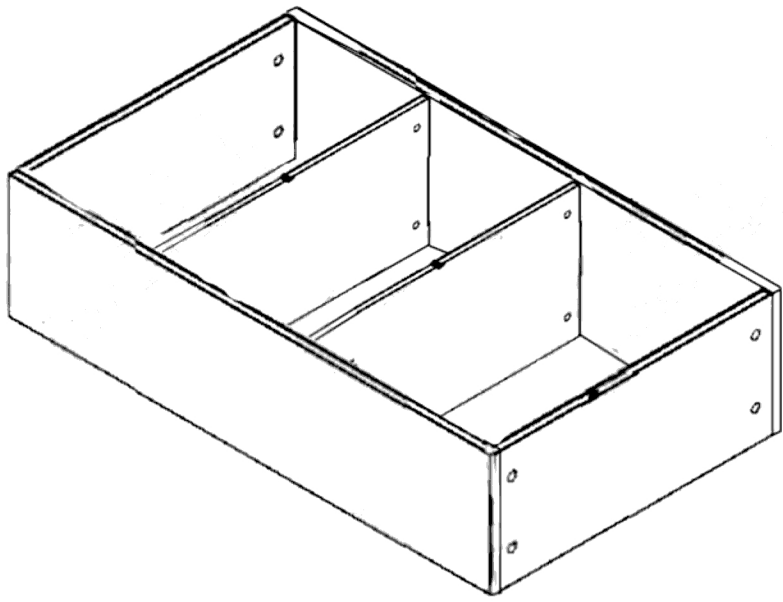




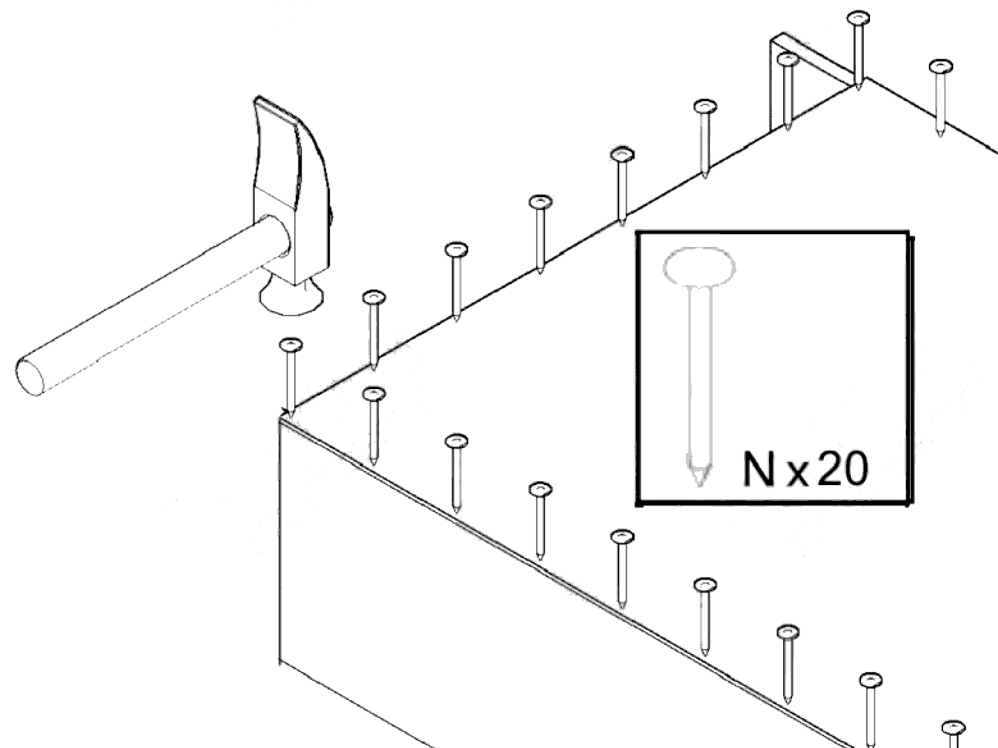
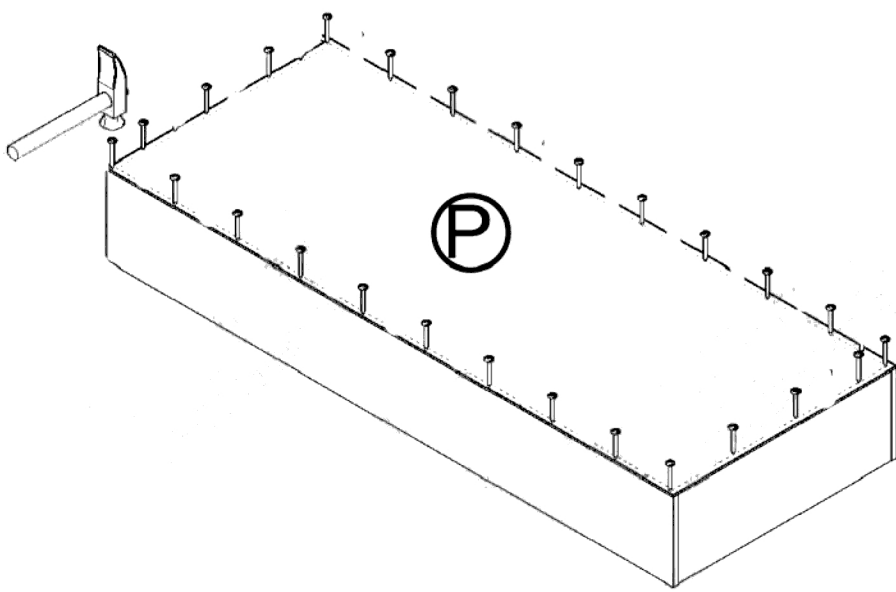
5



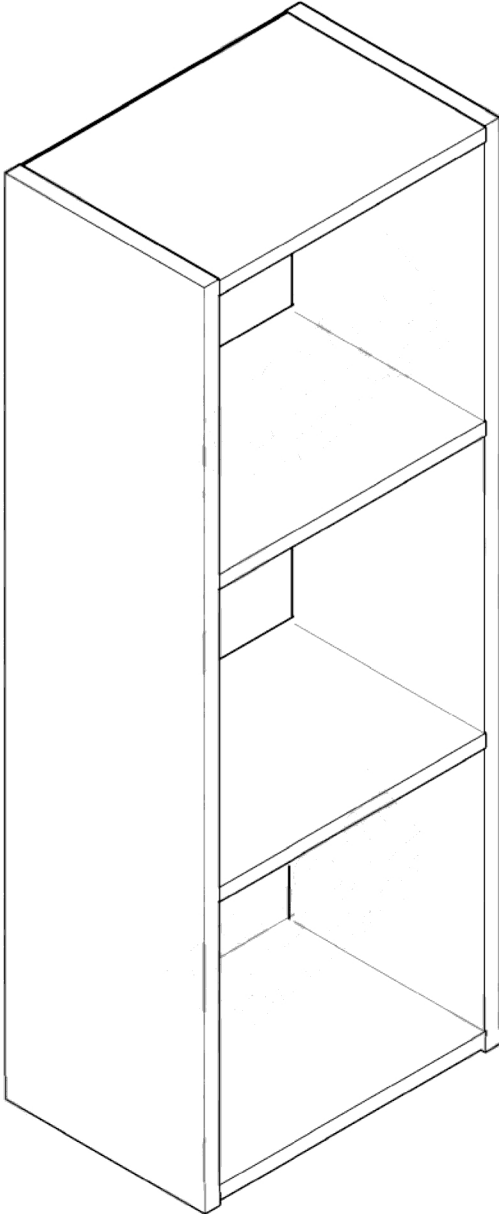
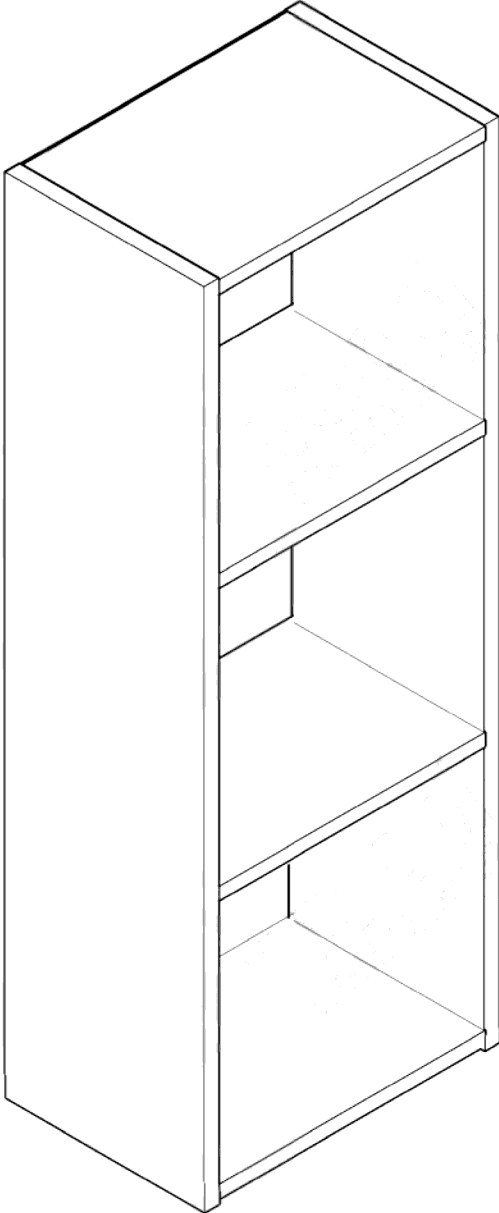
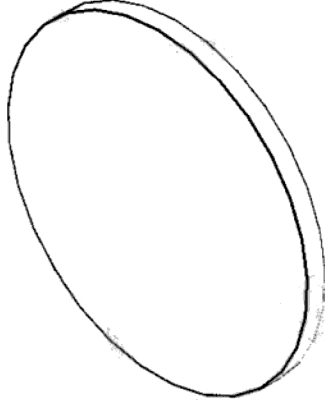
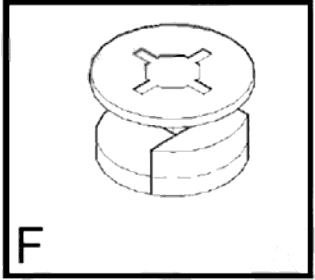
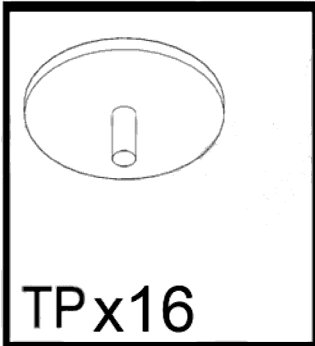
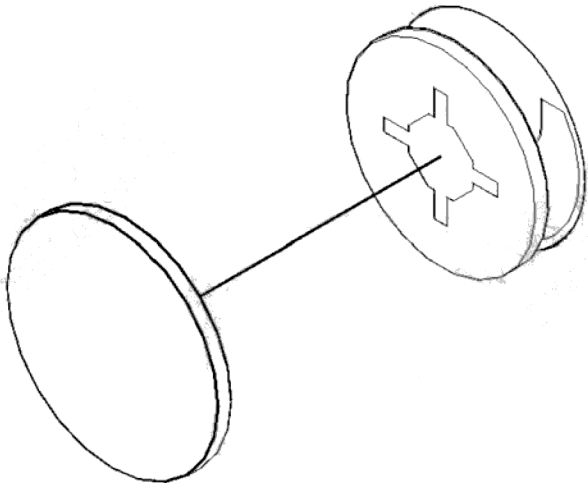
6



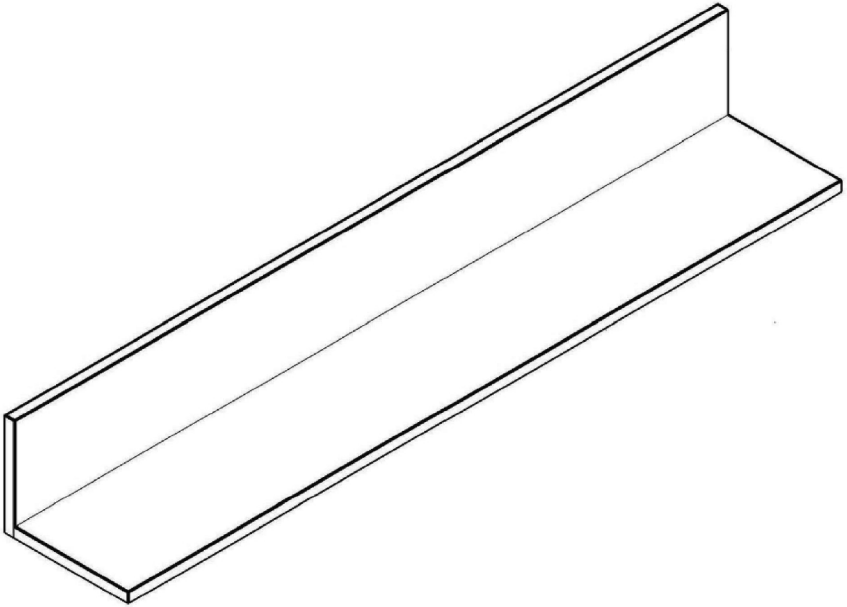
7

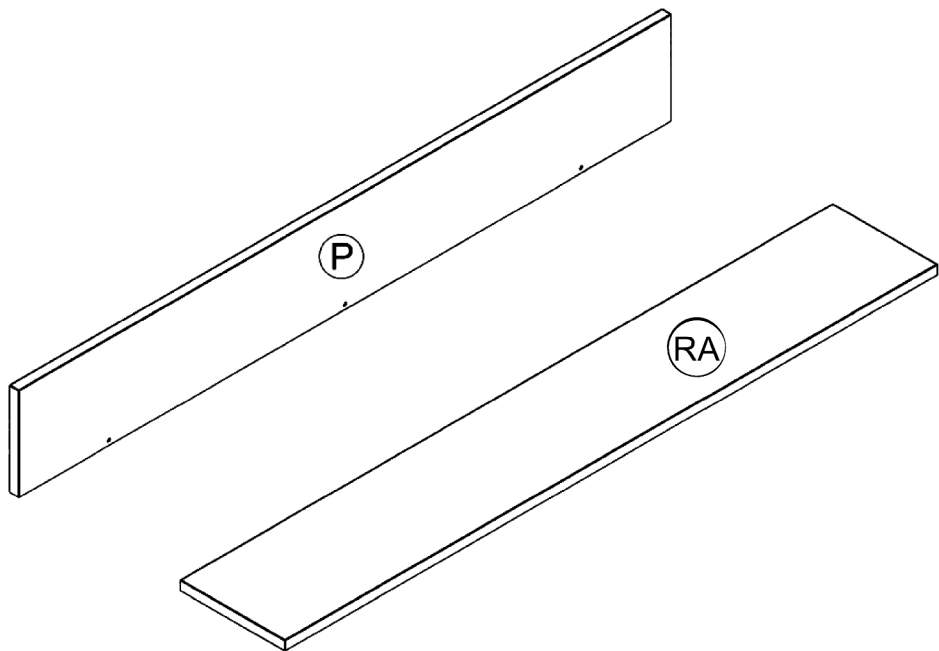


PLASTIC COVER CAPS FOR SCREWS

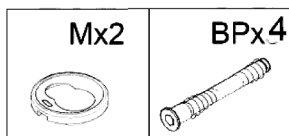
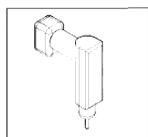


GRK47C

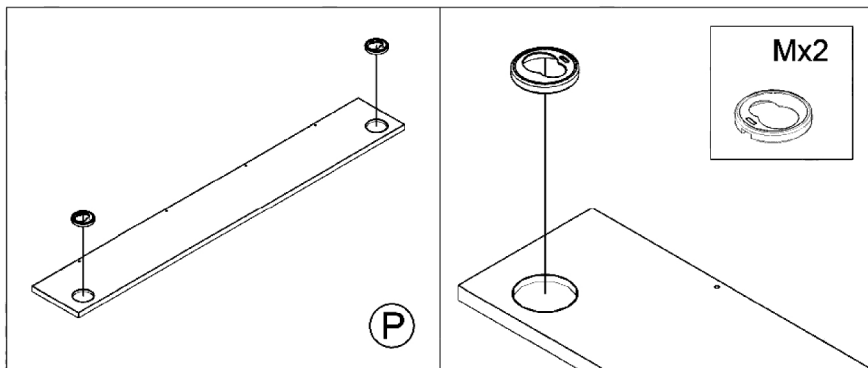




USING TOOLS



1



2

