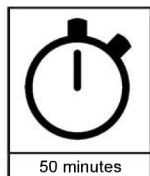
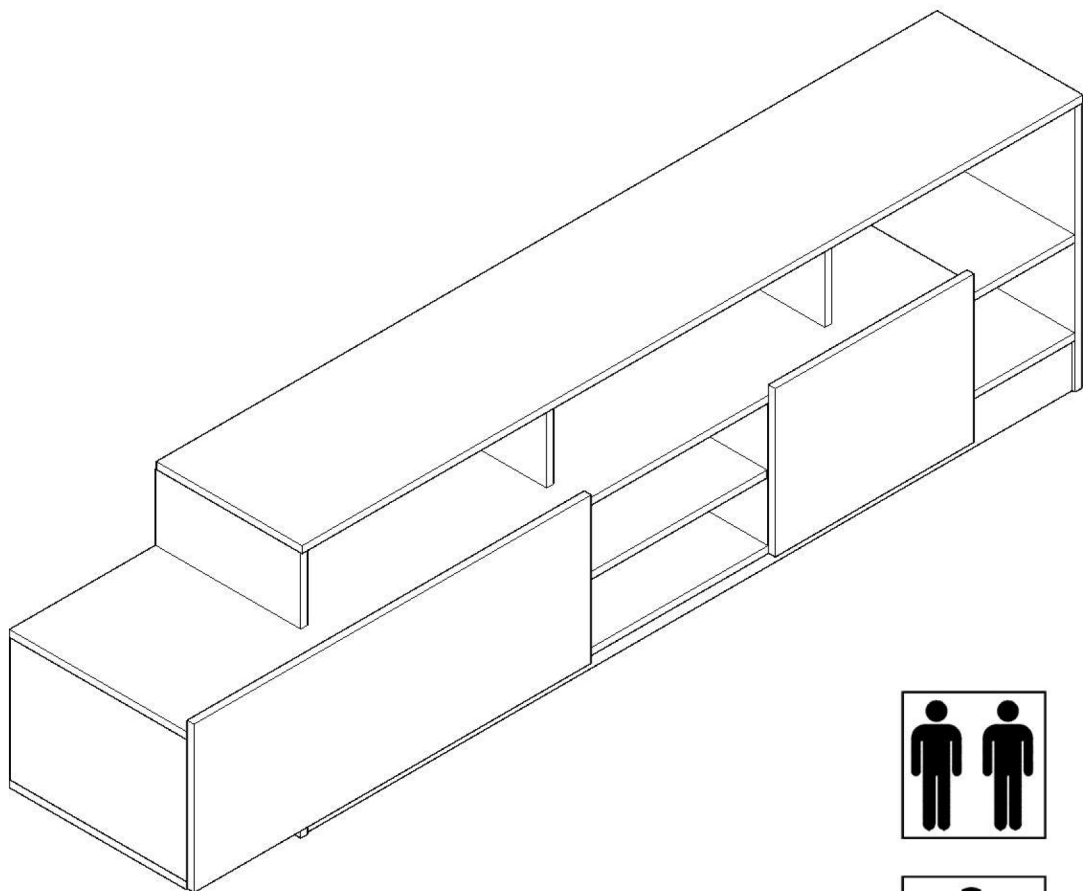
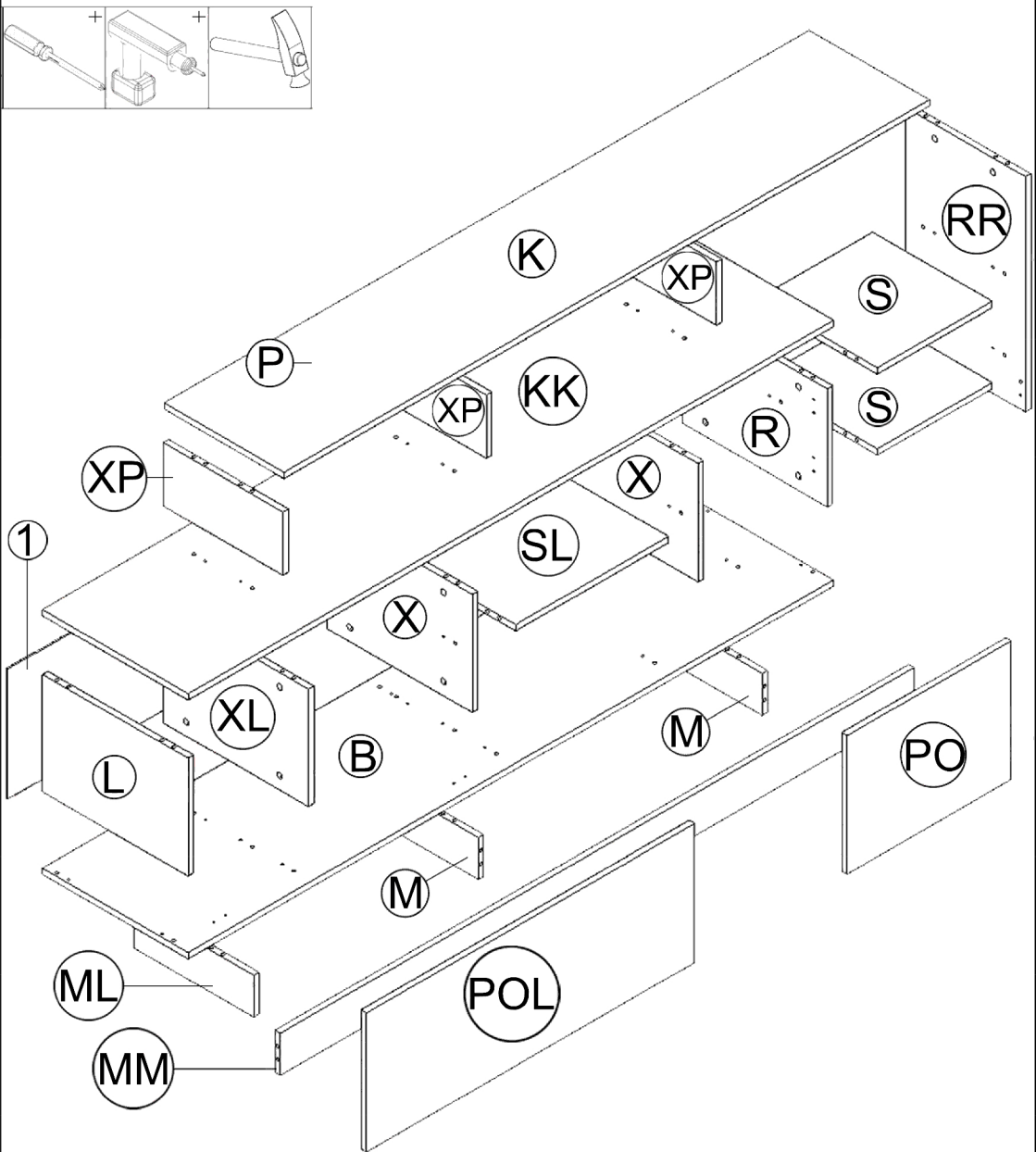
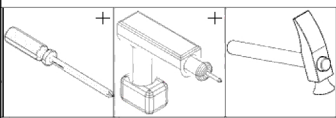


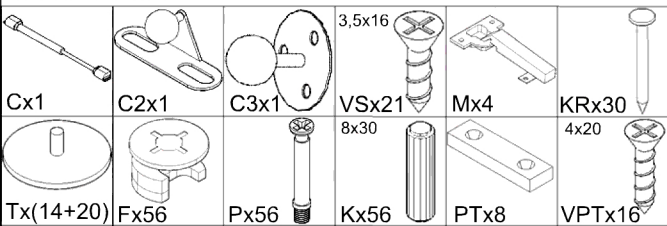
# GRK 086 A B

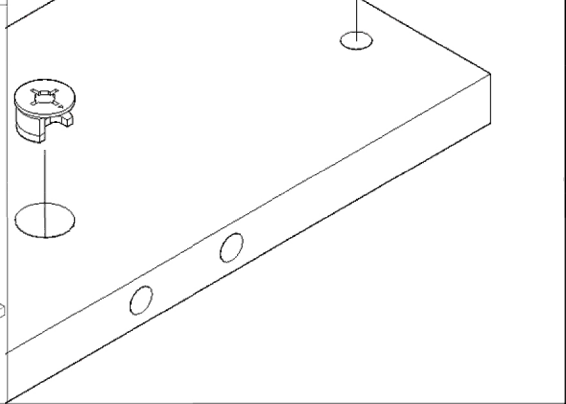
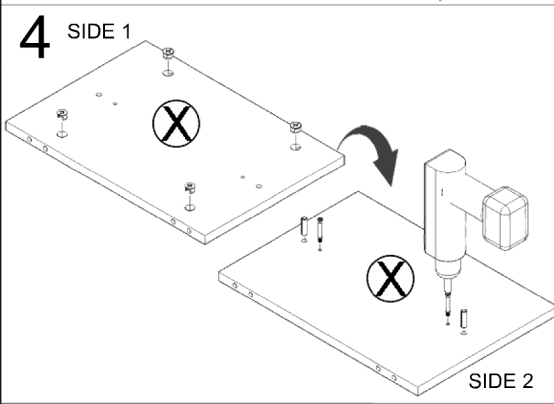
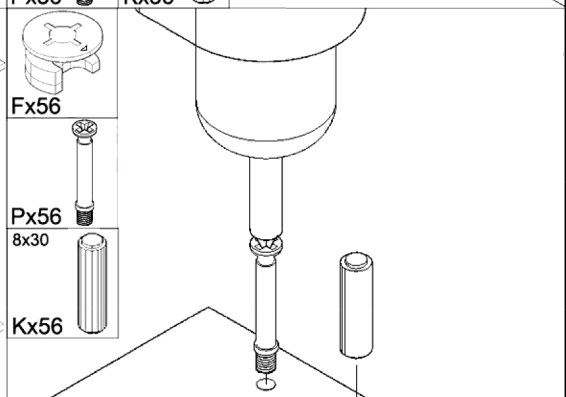
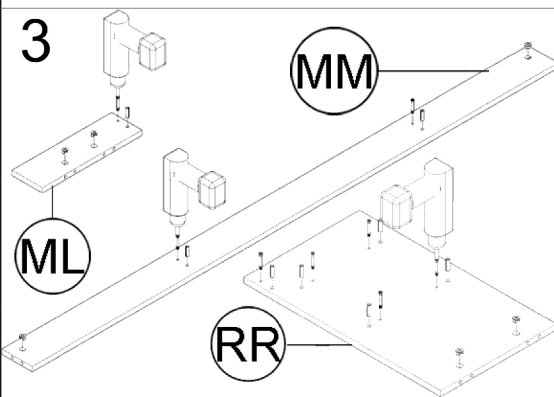
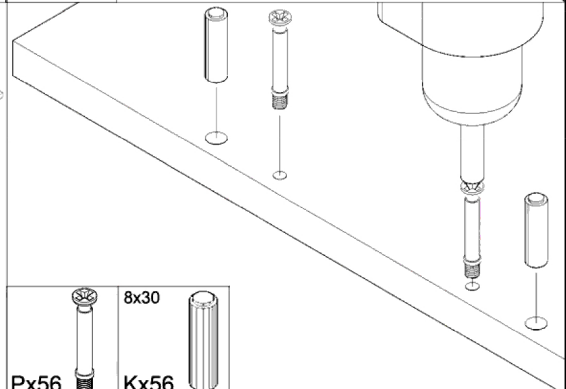
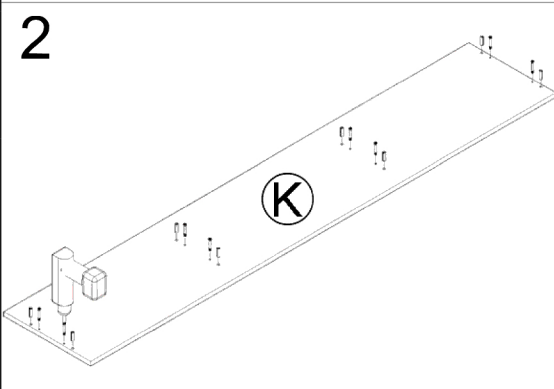
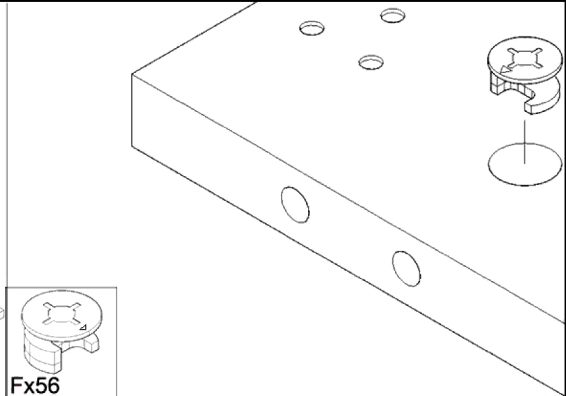
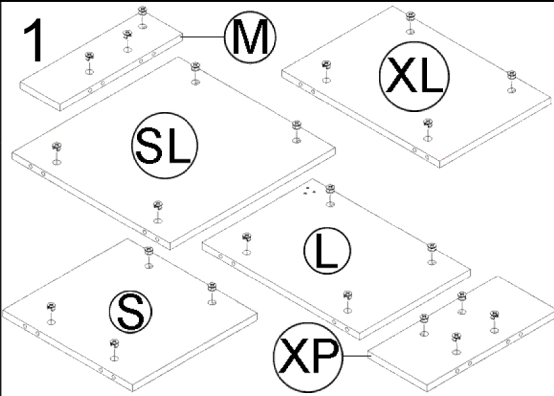


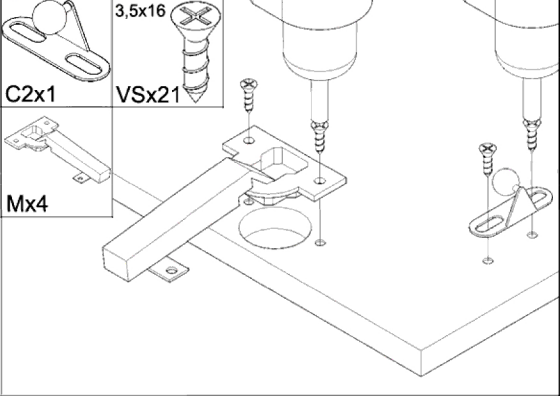
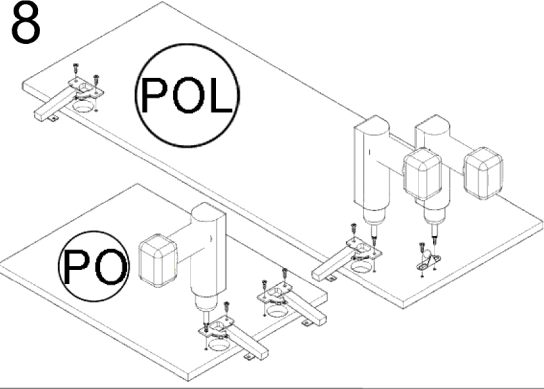
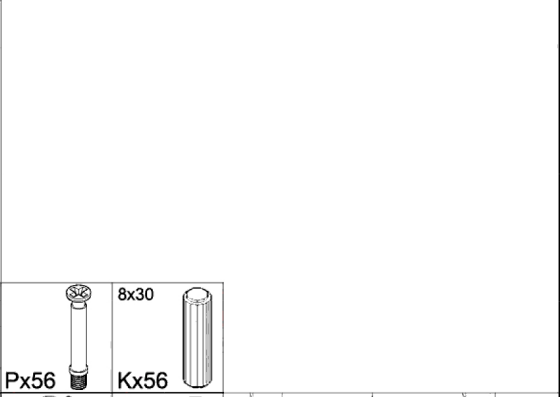
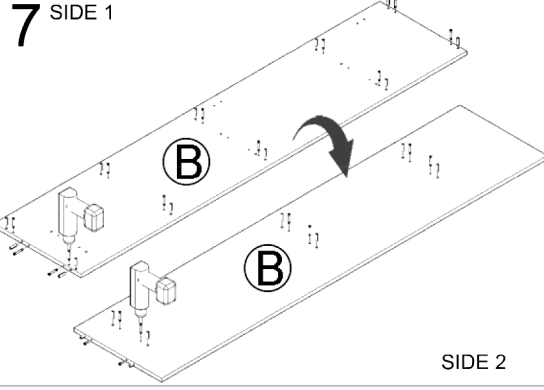
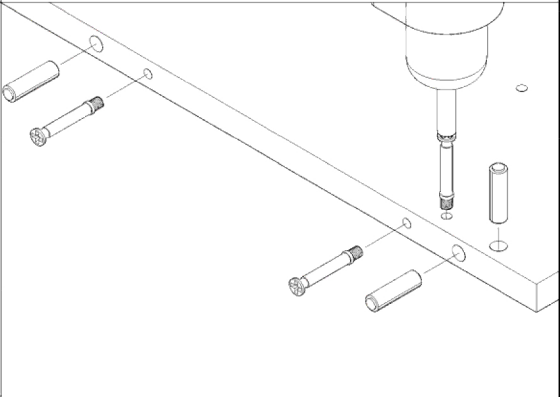
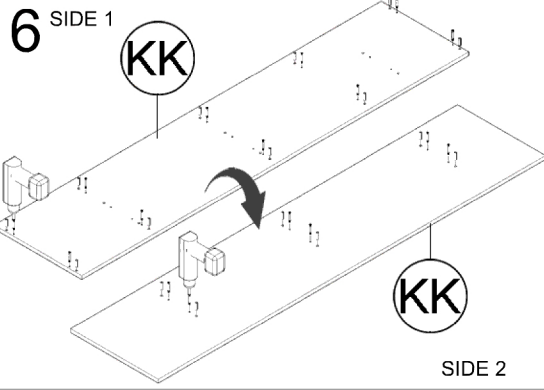
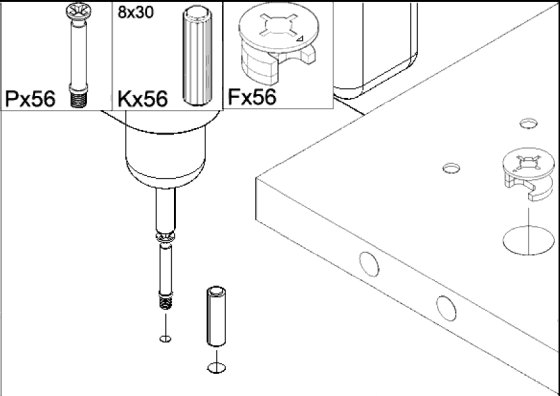
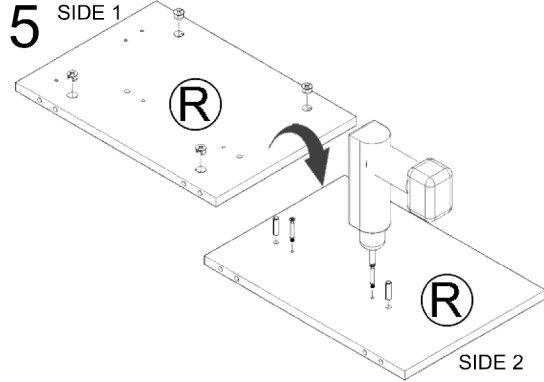
USING TOOLS



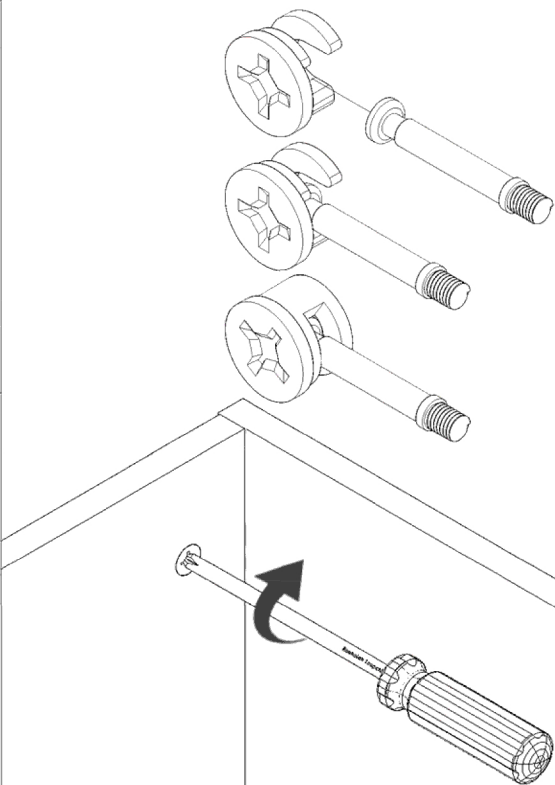
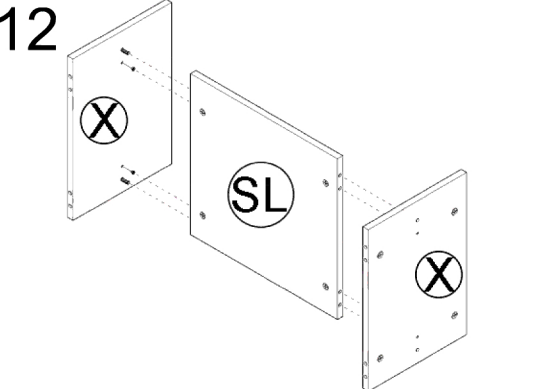
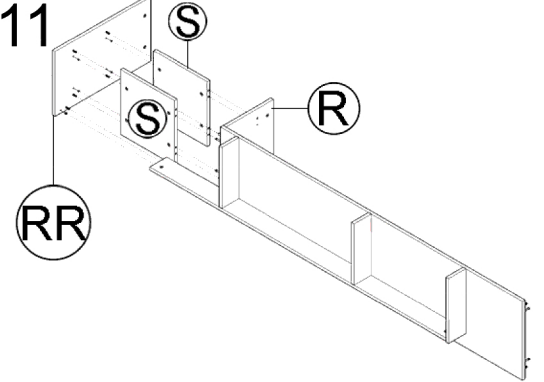
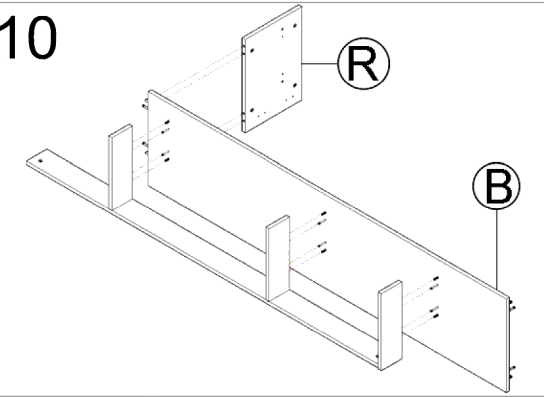
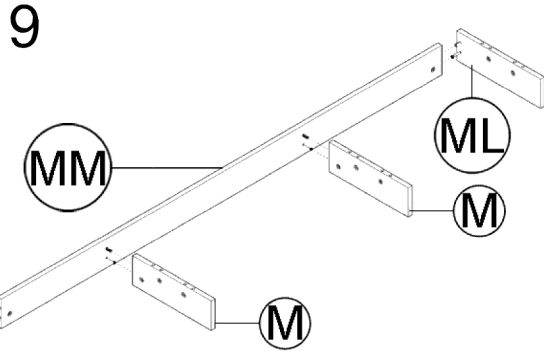
USING HARDWARE

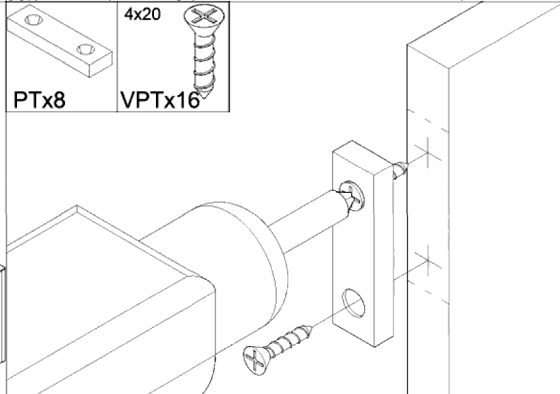
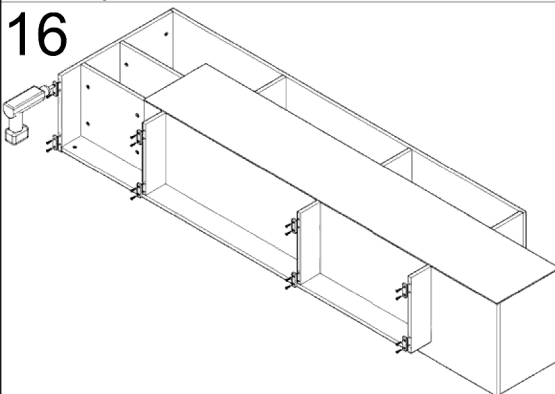
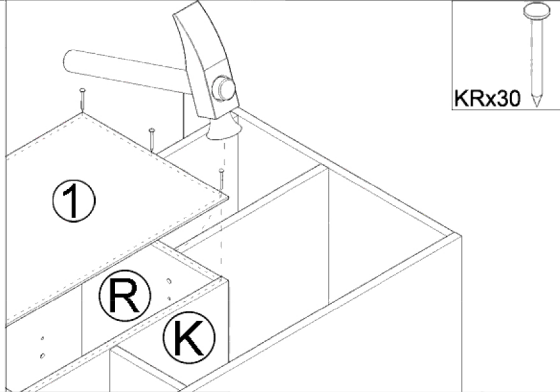
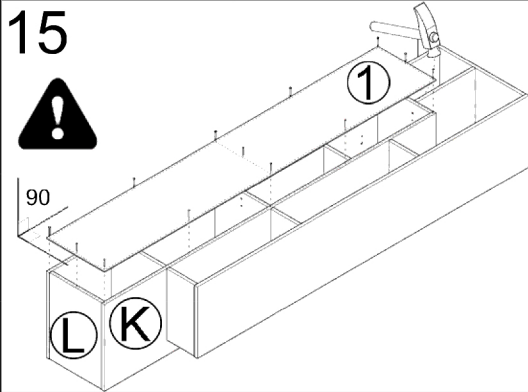
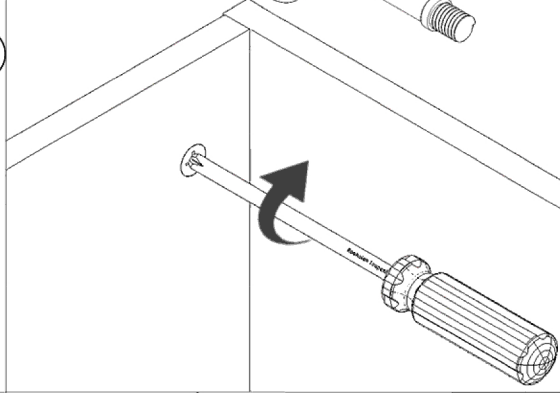
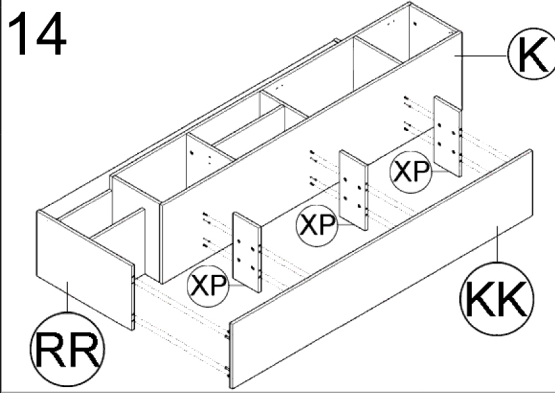
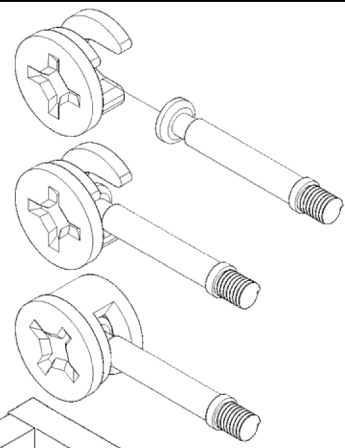
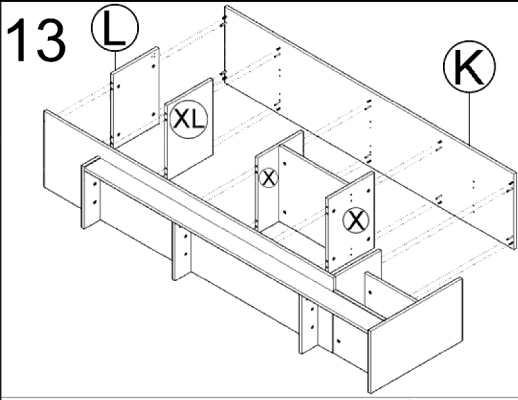




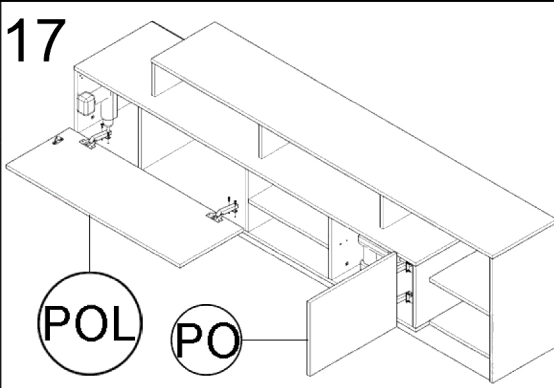








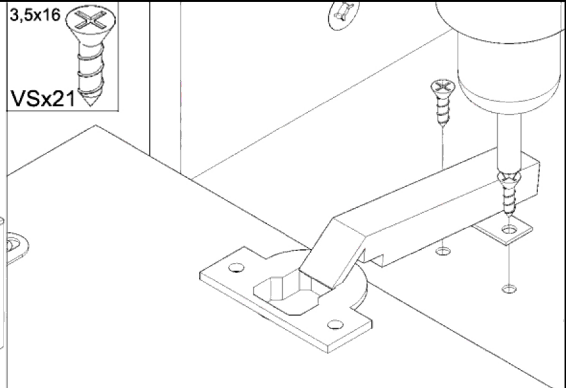
17



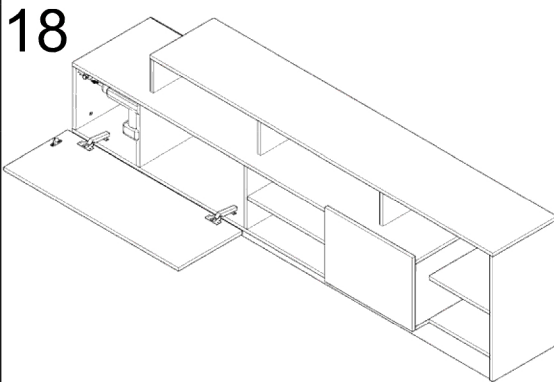
3,5x16



VSx21



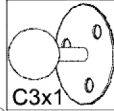
18



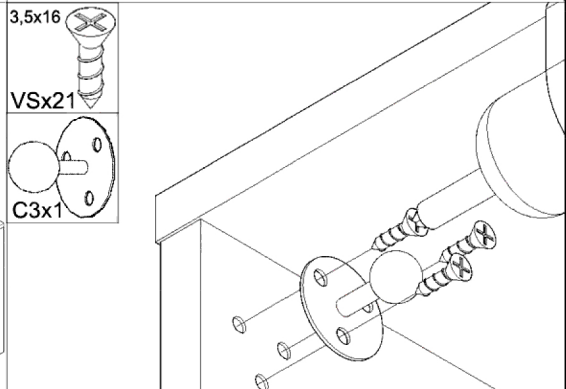
3,5x16



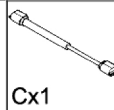
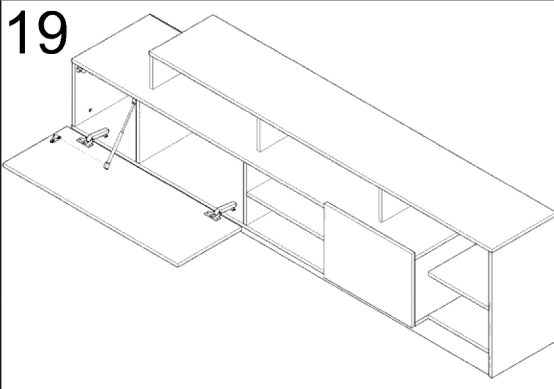
VSx21



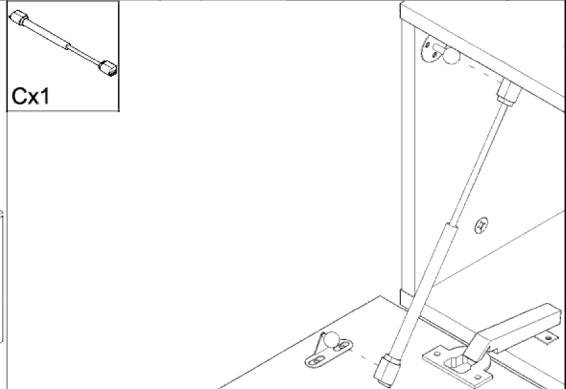
C3x1



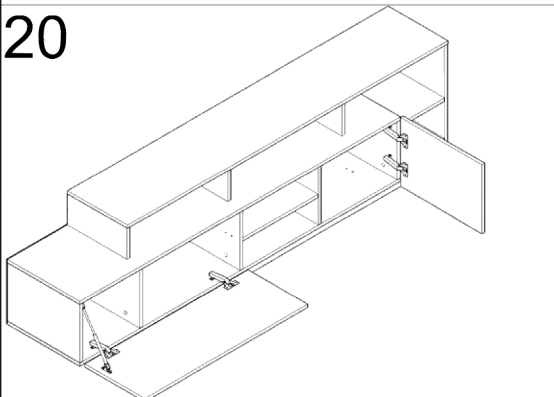
19



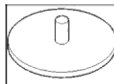
Cx1



20



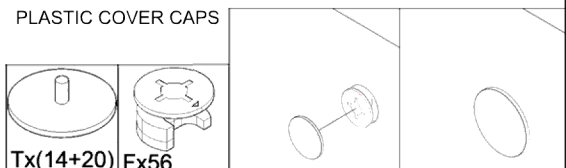
PLASTIC COVER CAPS



Tx(14+20)

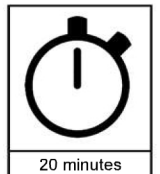
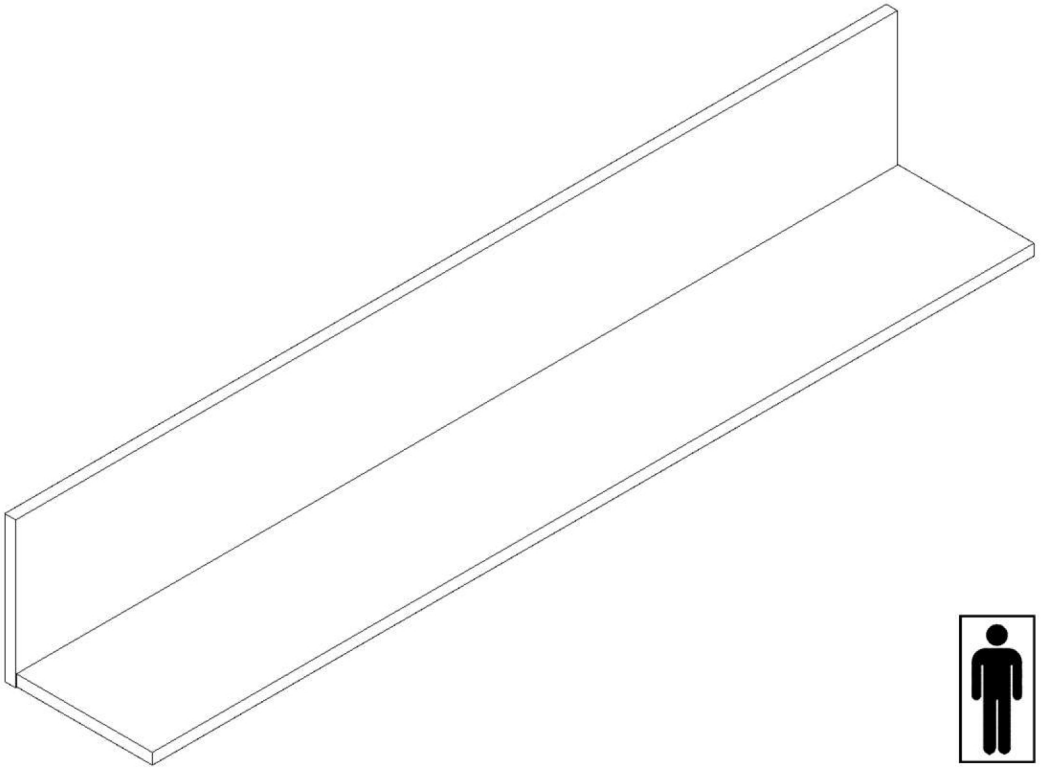


Fx56

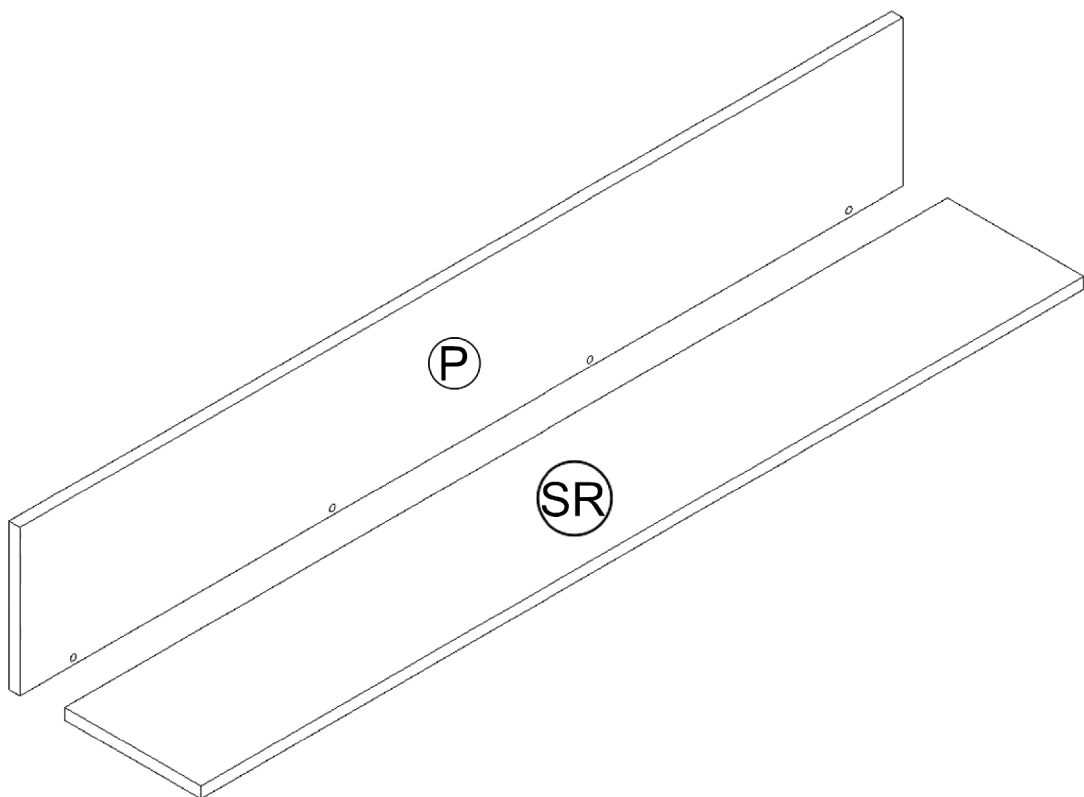
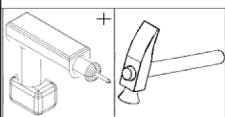




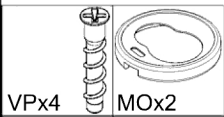
# GRK 086 C



USING TOOLS



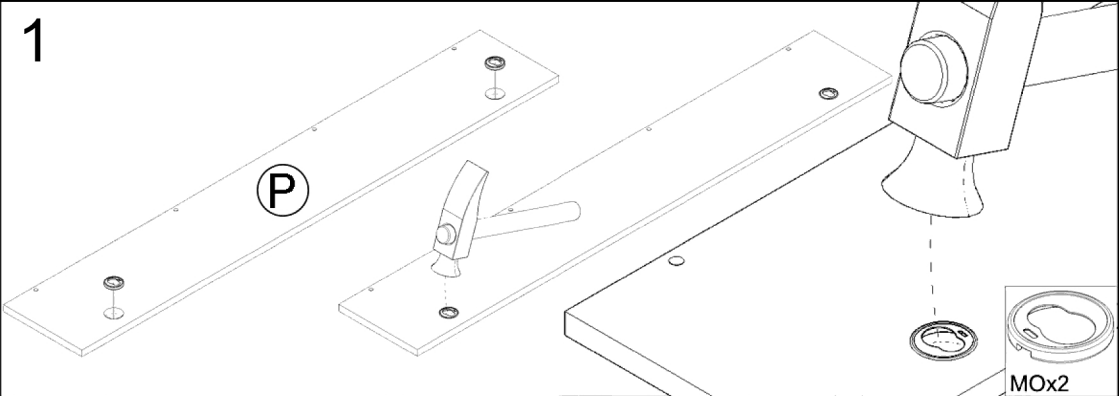
USING HARDWARE



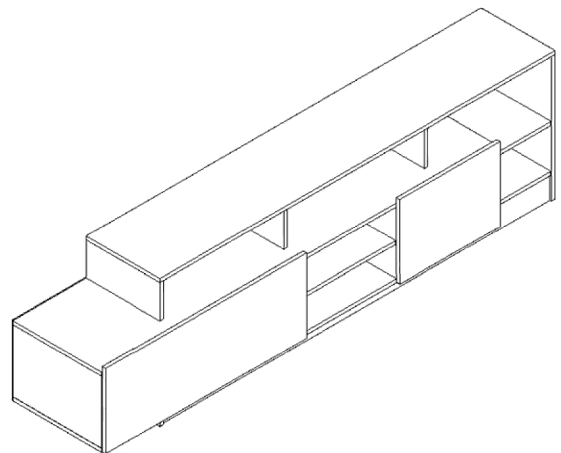
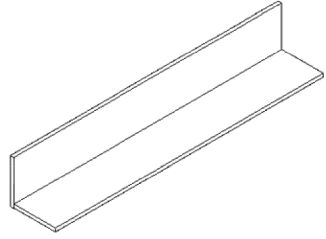
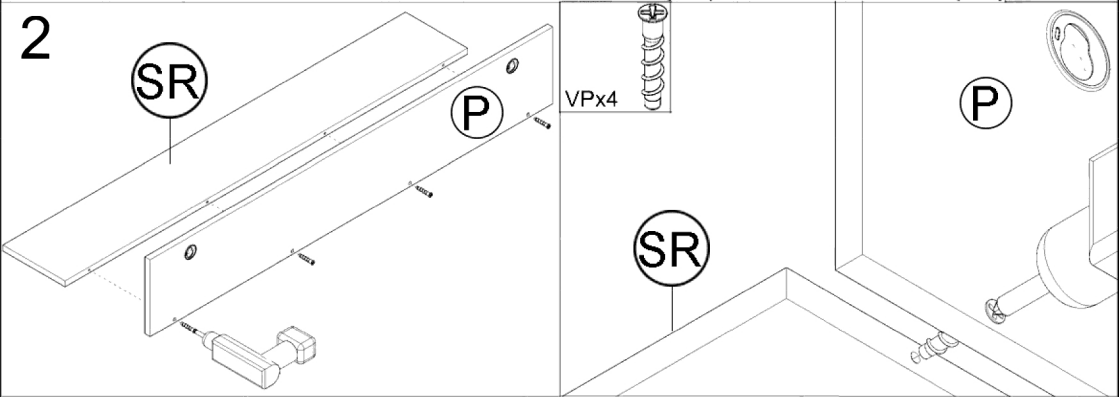
VPx4

MOx2

1



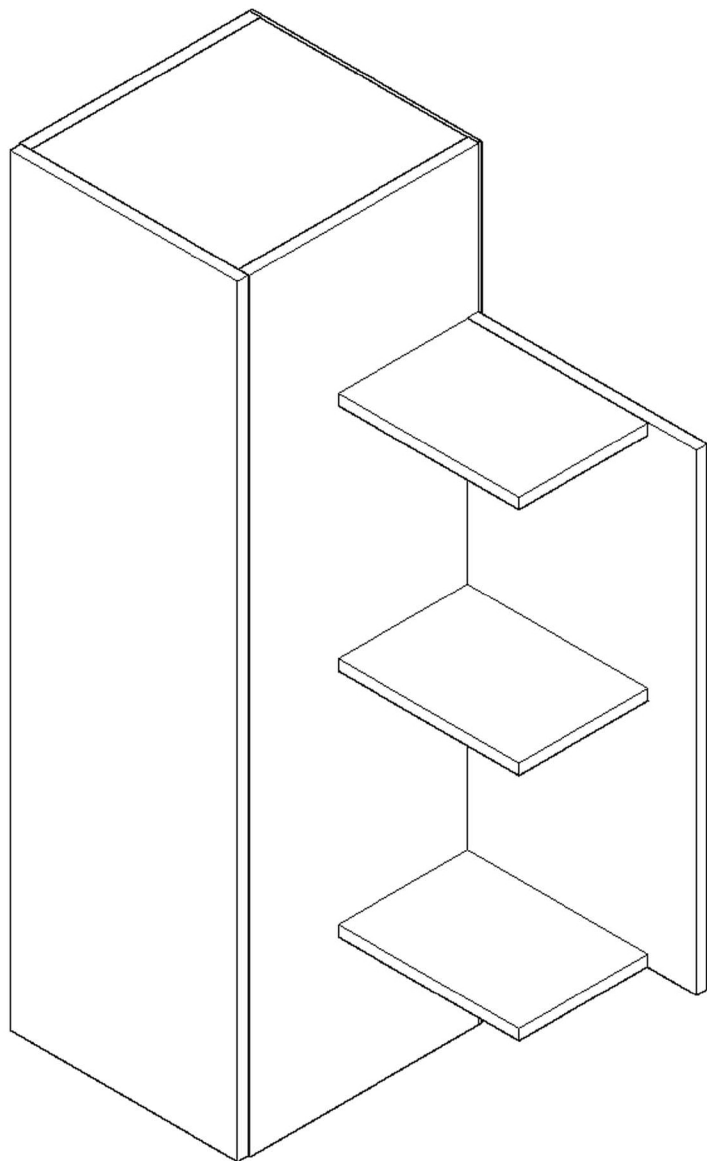
2



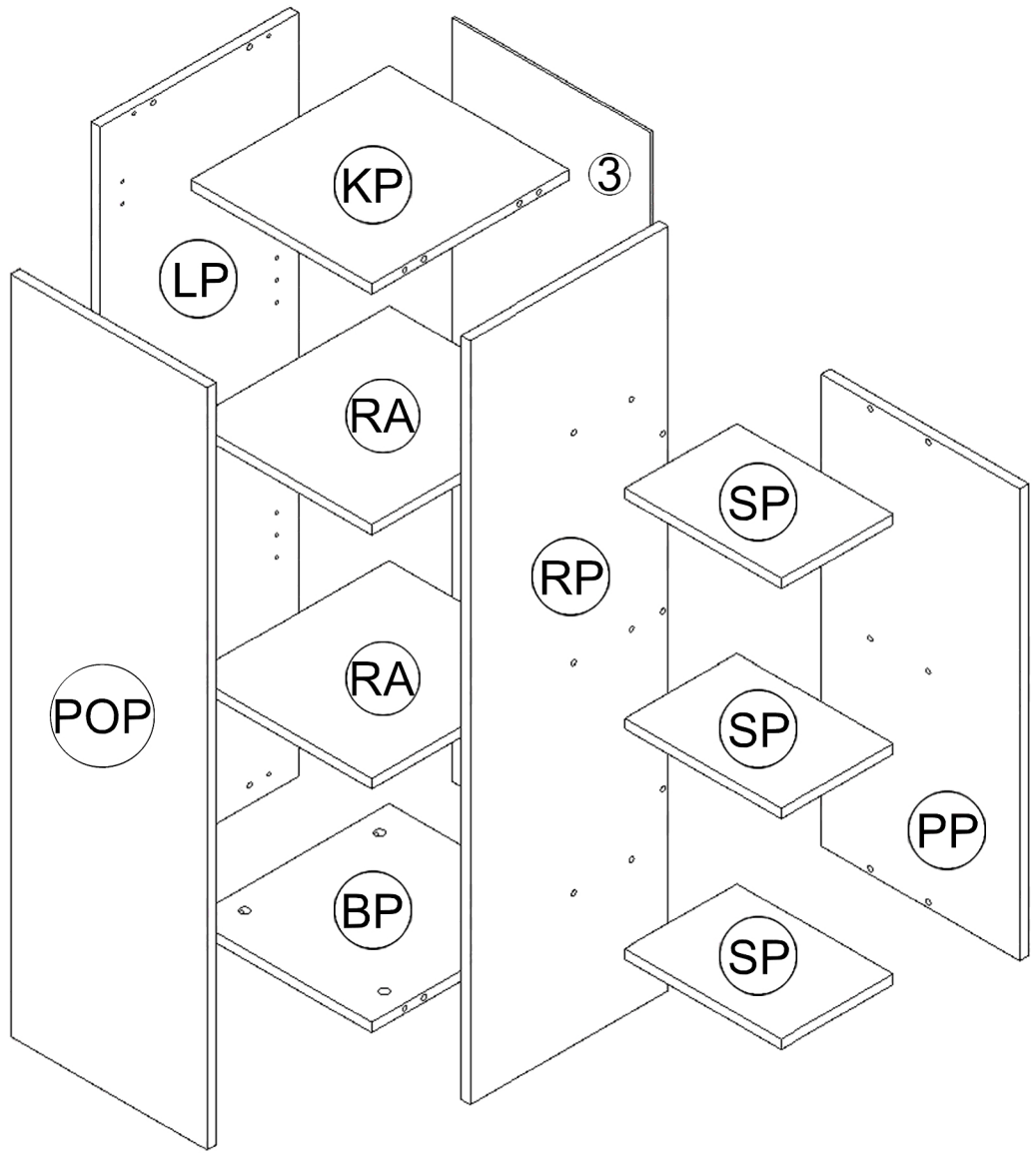
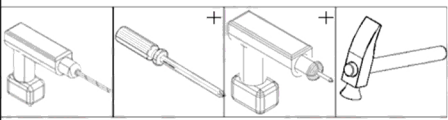




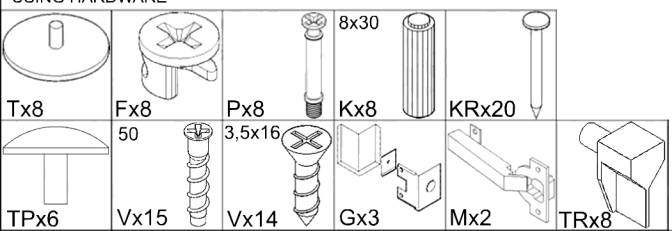
# GRK 086 D



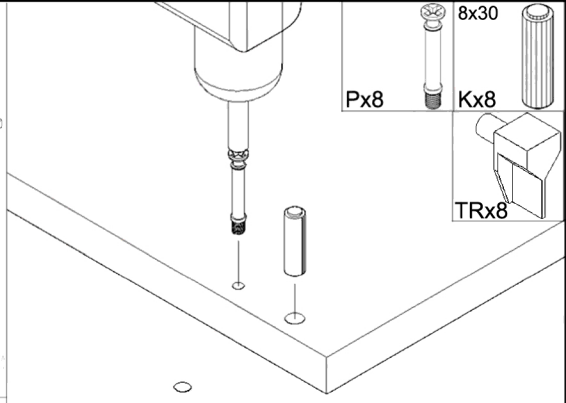
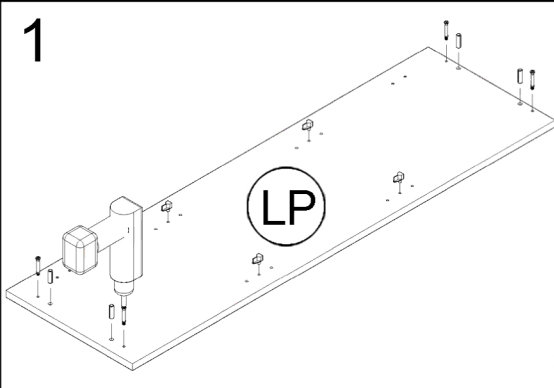
USING TOOLS



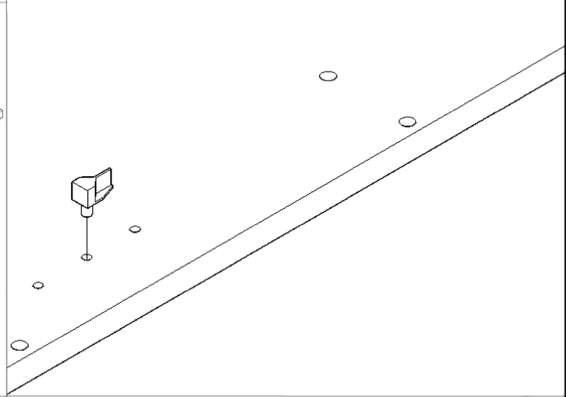
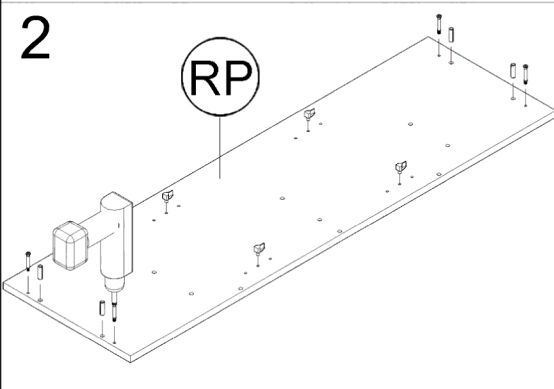
USING HARDWARE



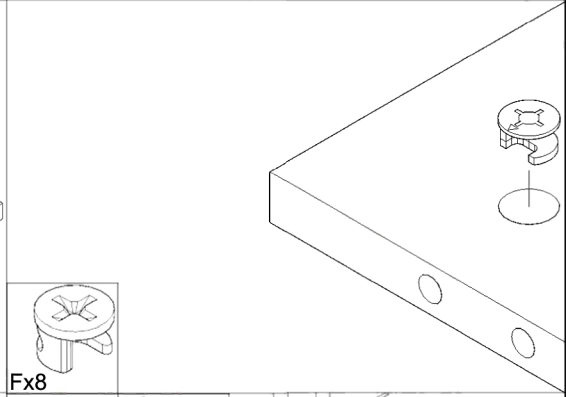
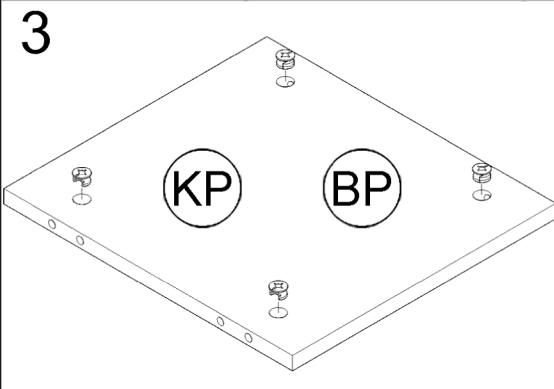
1



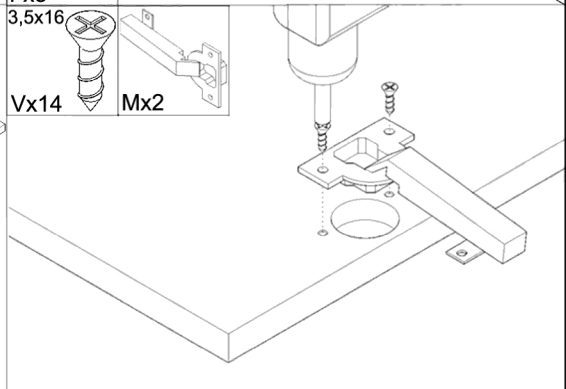
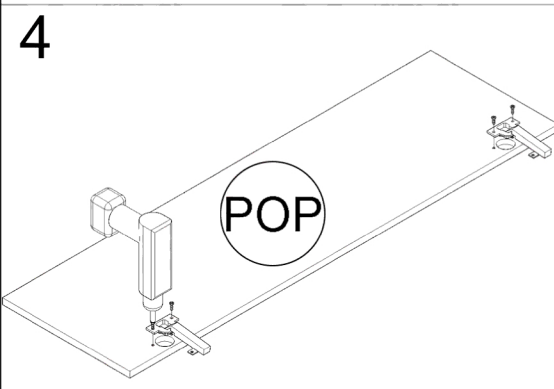
2

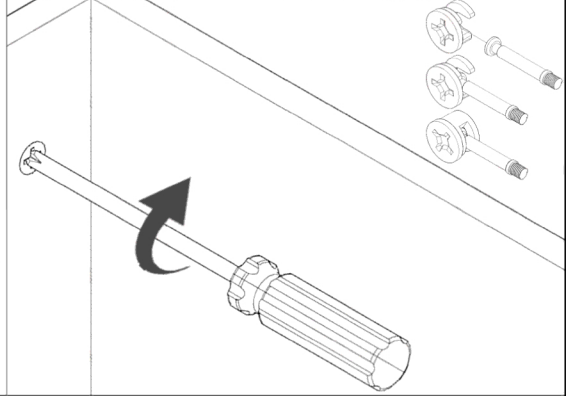
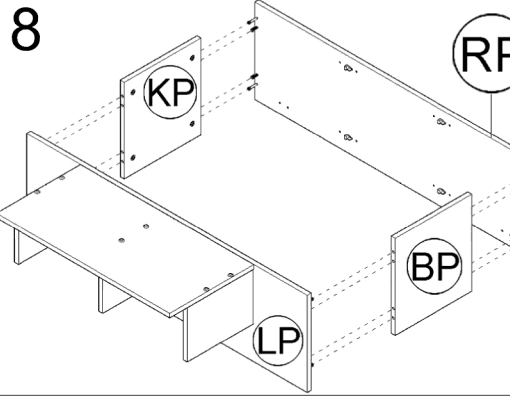
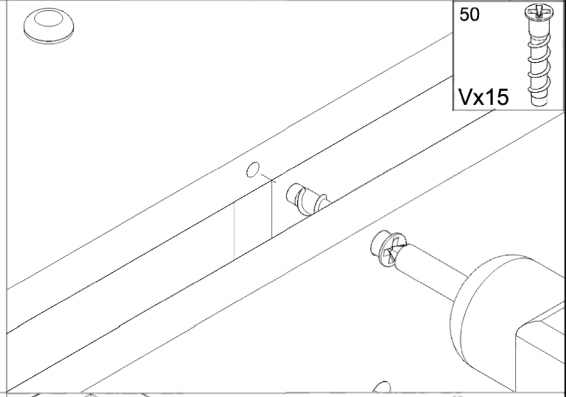
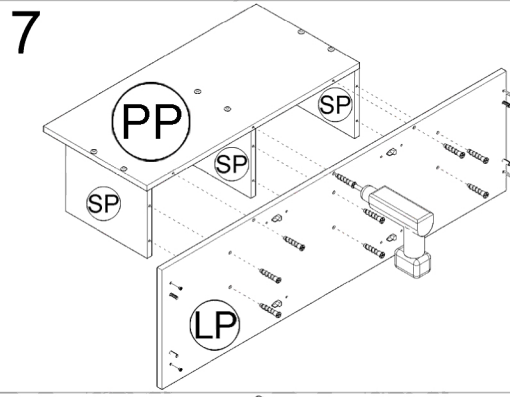
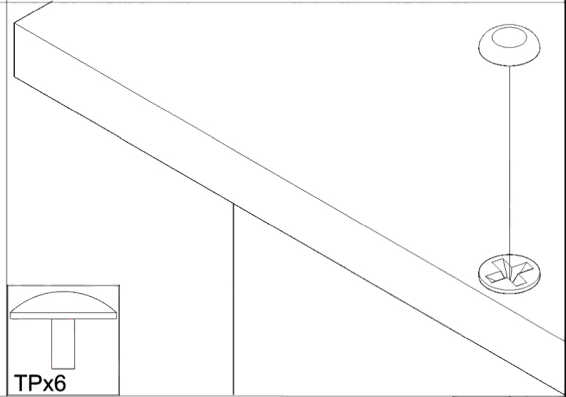
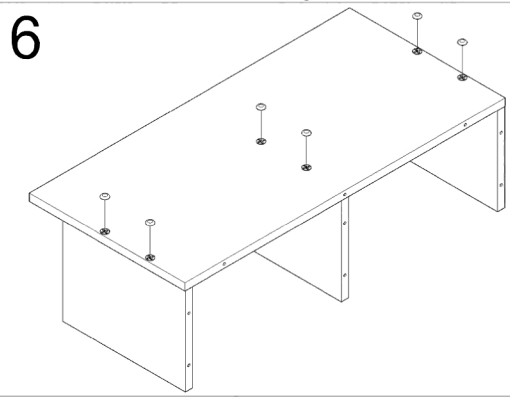
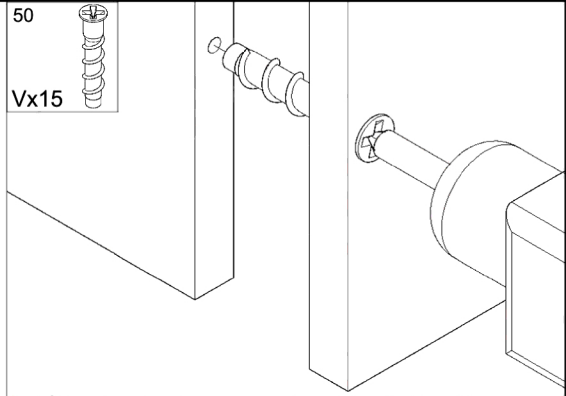
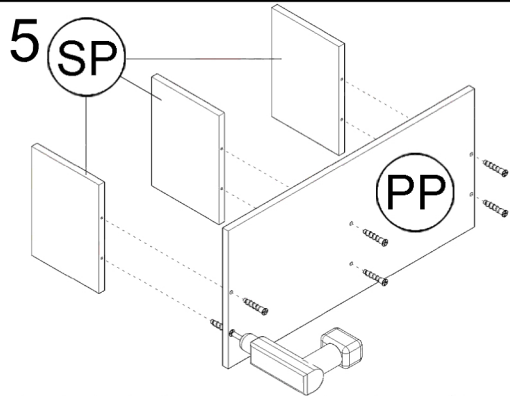


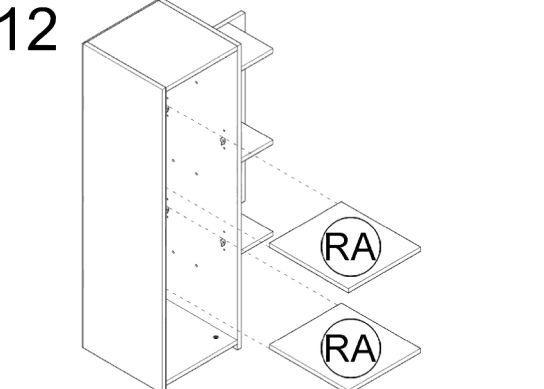
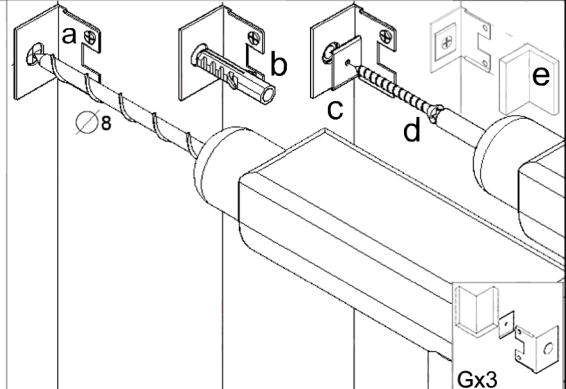
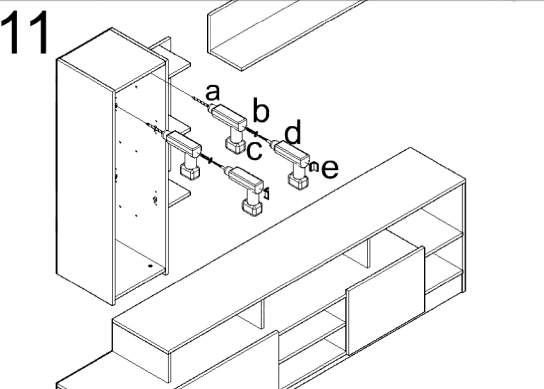
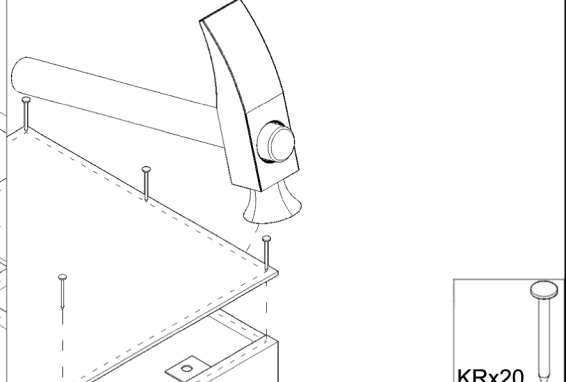
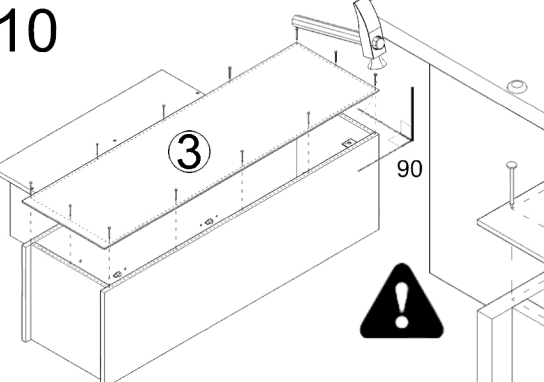
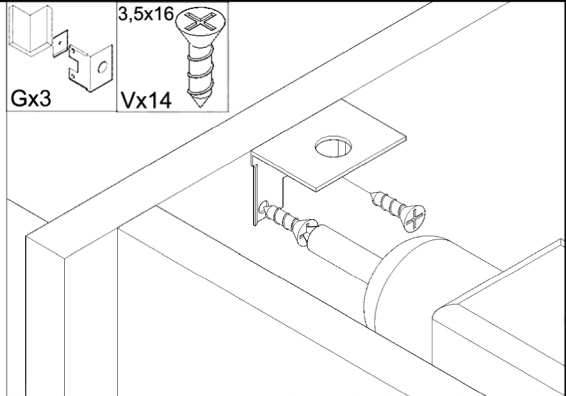
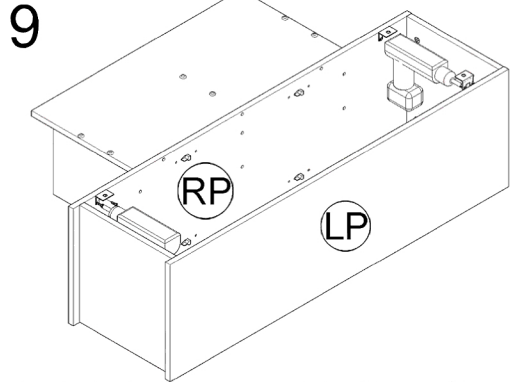
3



4

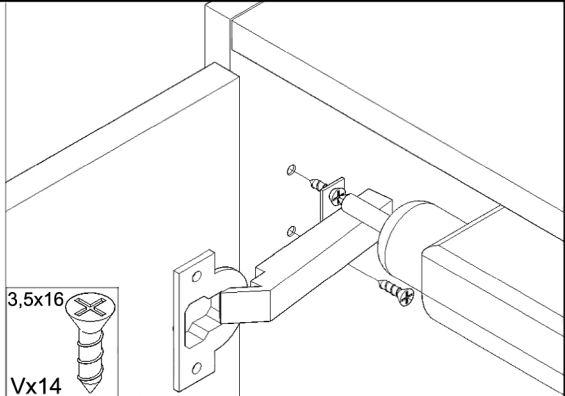
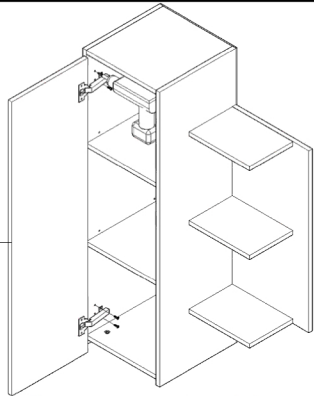




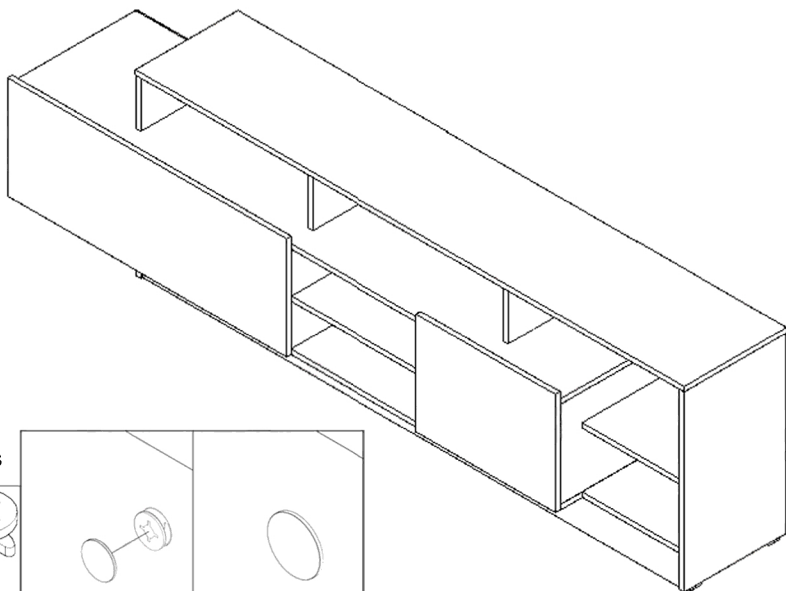
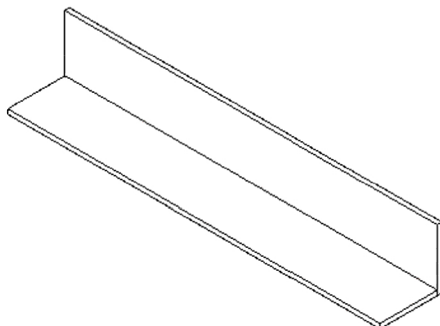
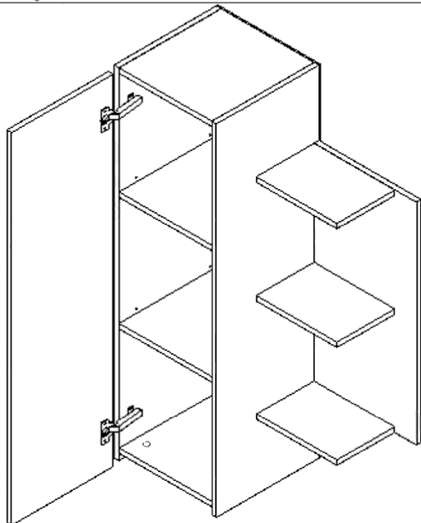


13

POP



14



PLASTIC COVER CAPS



Tx8



Fx8

