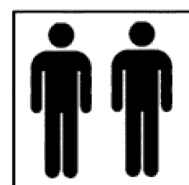
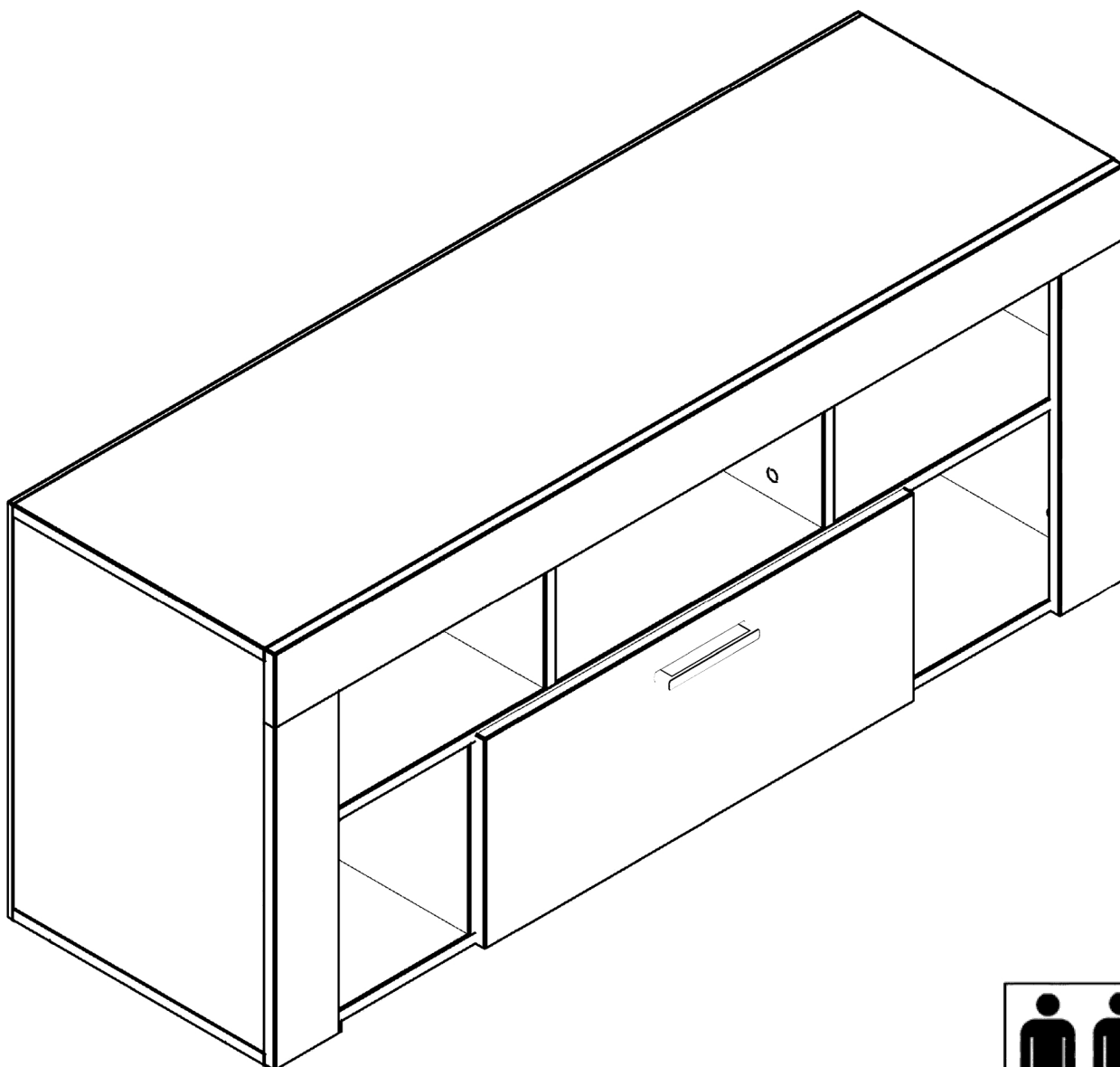
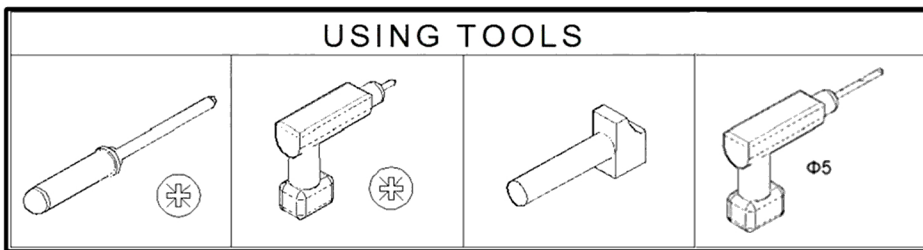
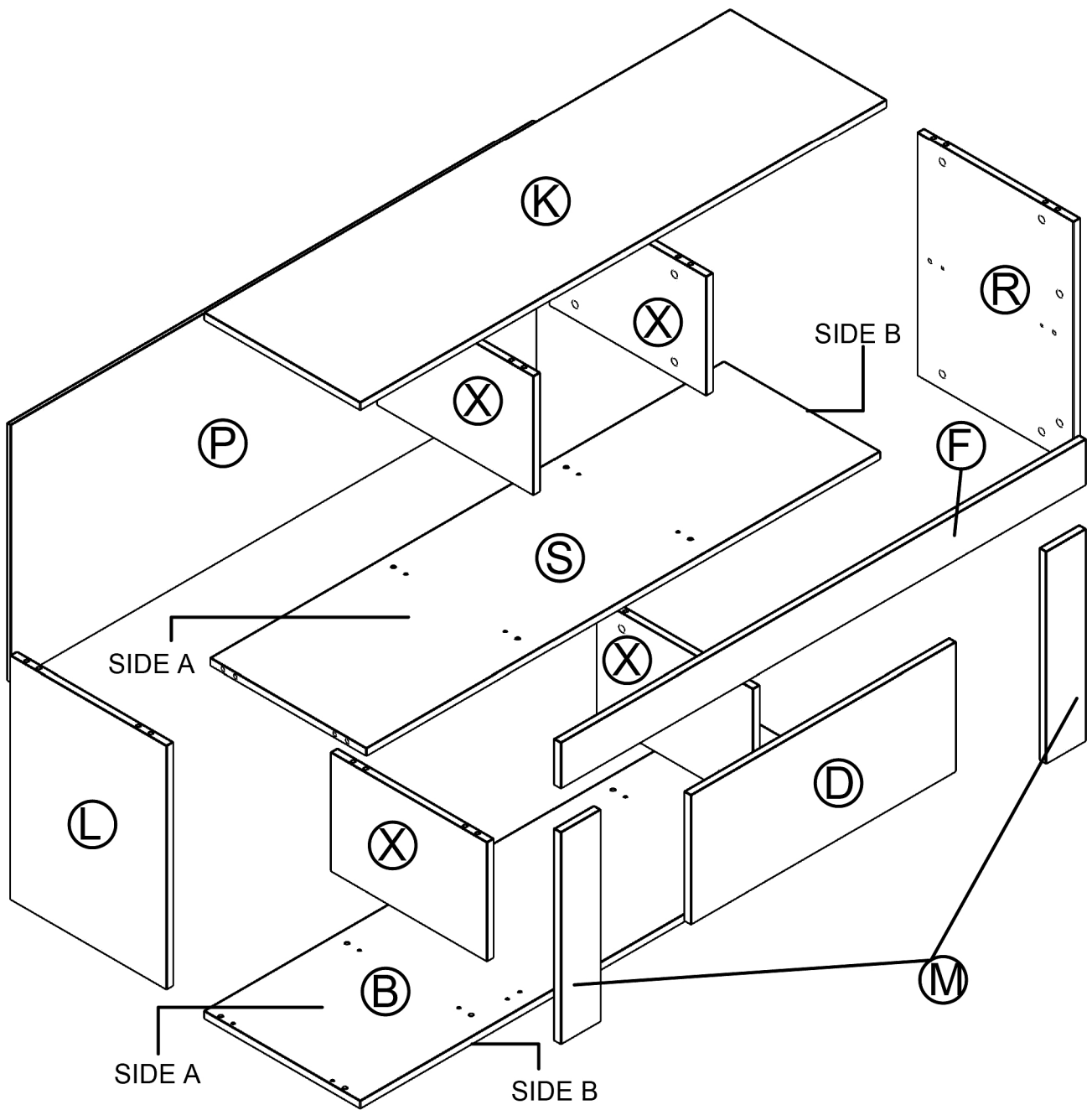
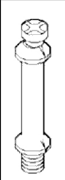

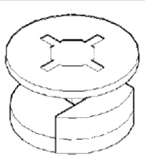
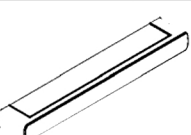


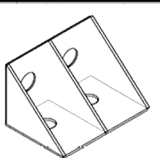
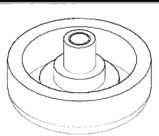


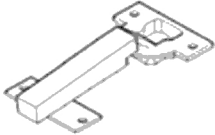
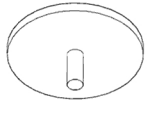



# GRK09

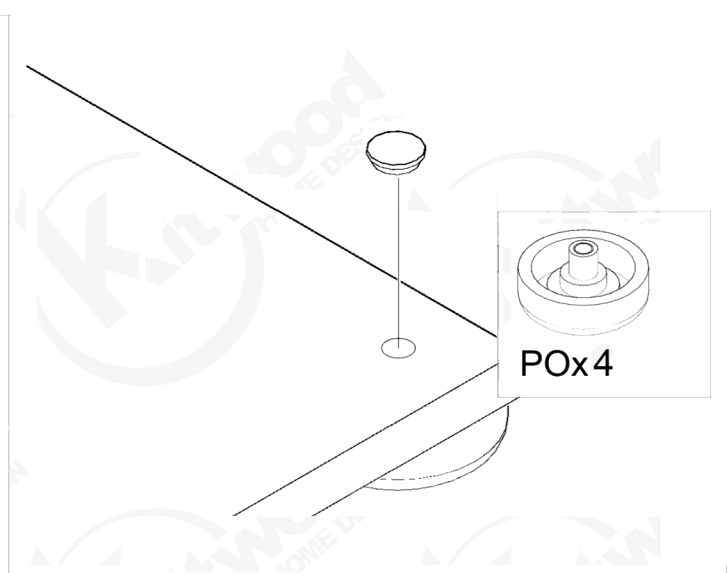
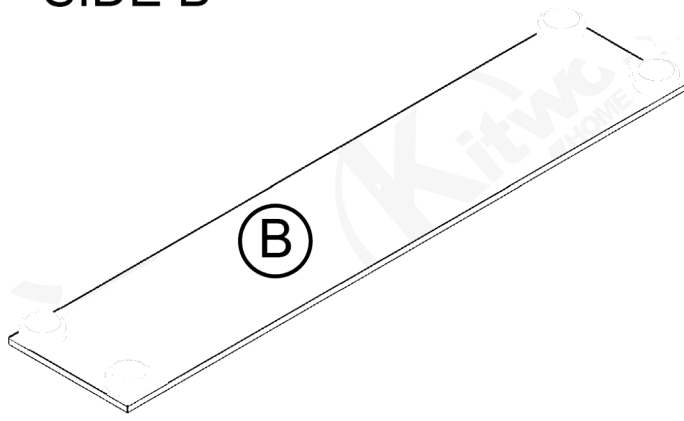




 <b>P x 28</b>	 <b>K x 28</b>	 <b>F x 28</b>	 <b>PO x 1</b>	 <b>4.0x3.0</b>	 <b>B2 x 2</b>
 <b>C x 7</b>	 <b>PO x 4</b>	 <b>K2 x 20</b>	 <b>3.5x16</b> <b>16 mm</b>	 <b>M x 2</b>	 <b>TP x 28</b>
			 <b>B1 x 36</b>		

SIDE B

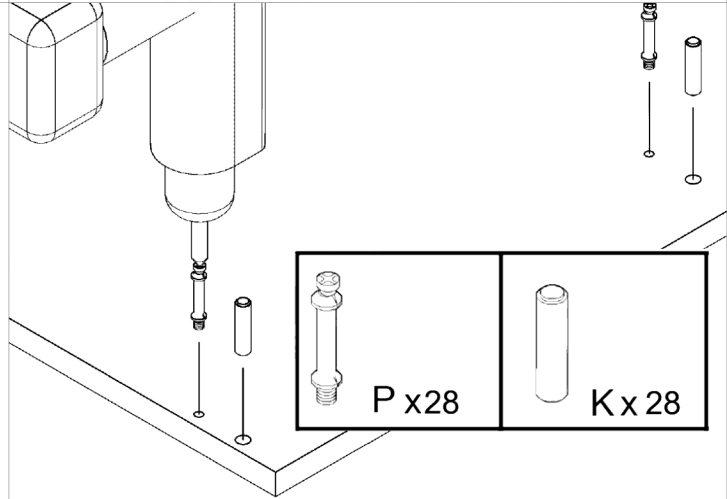
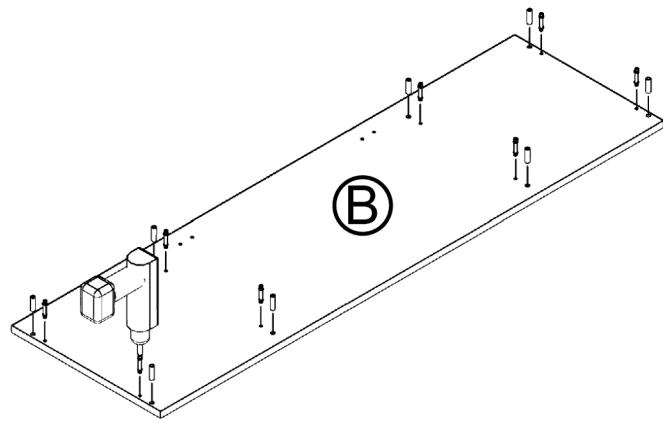
1



POx4

SIDE A

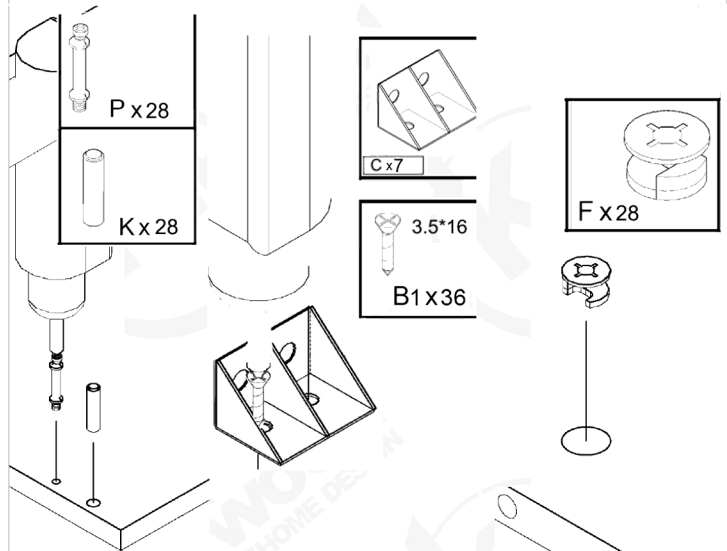
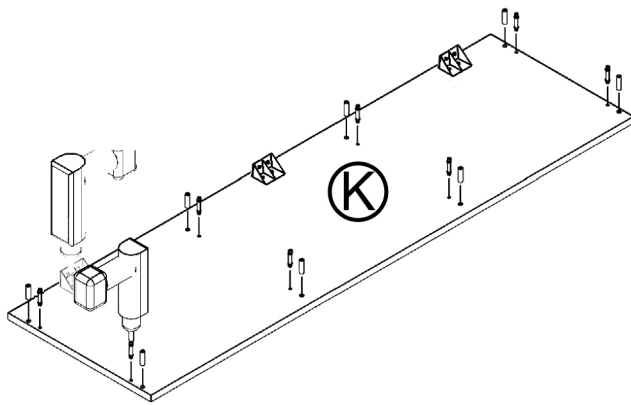
2



P x28

K x28

3



P x28

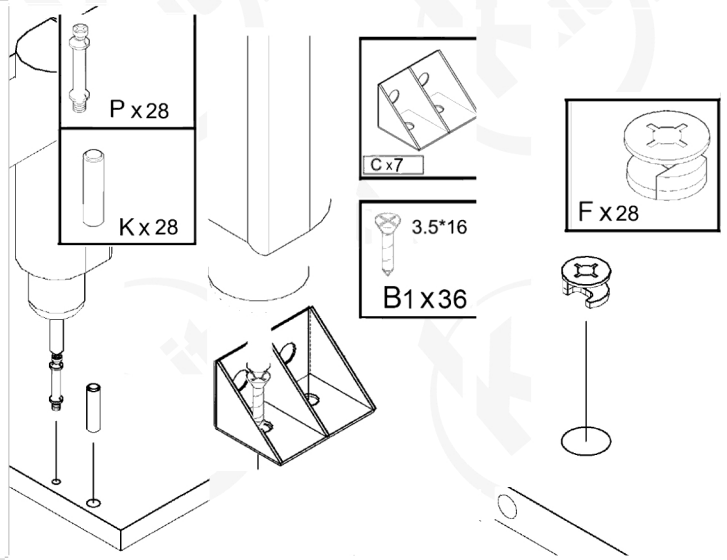
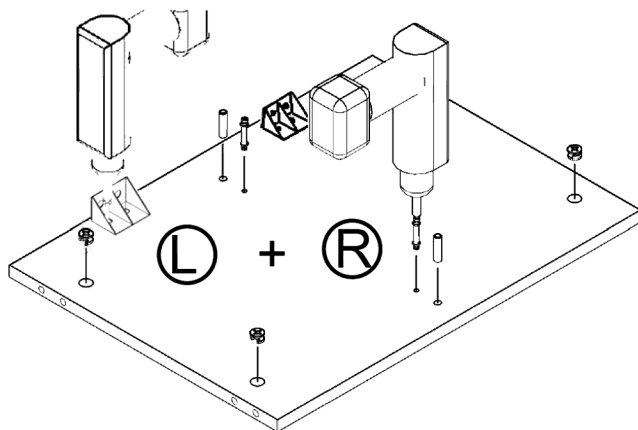
K x28

Cx7

F x28

3.5\*16  
B1x36

4



P x28

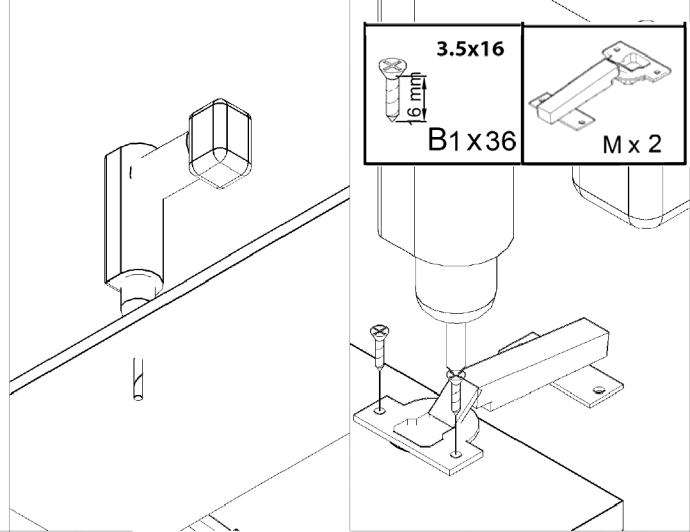
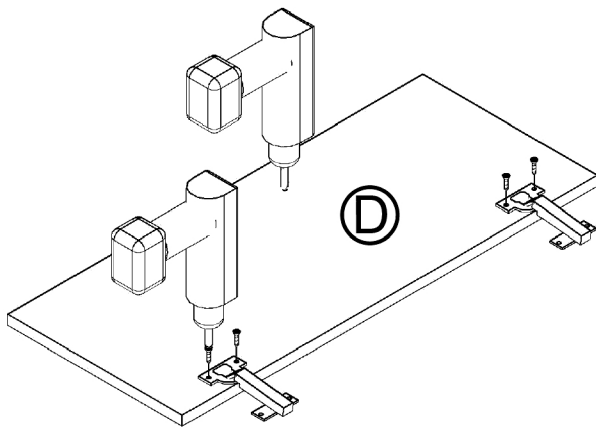
K x28

Cx7

F x28

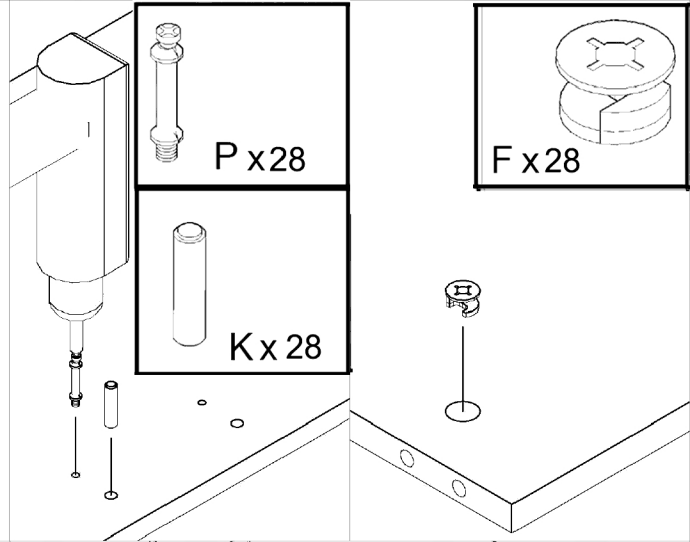
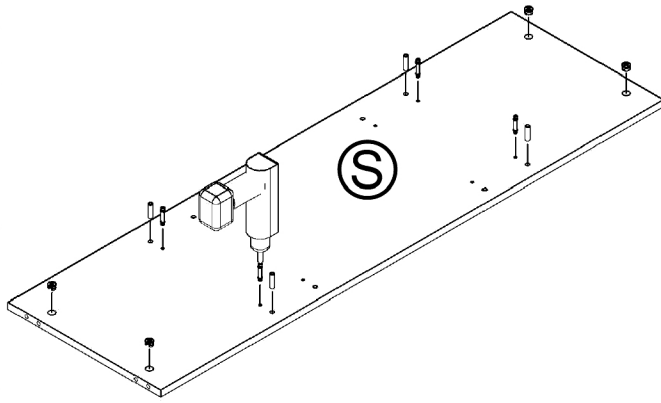
3.5\*16  
B1x36

5



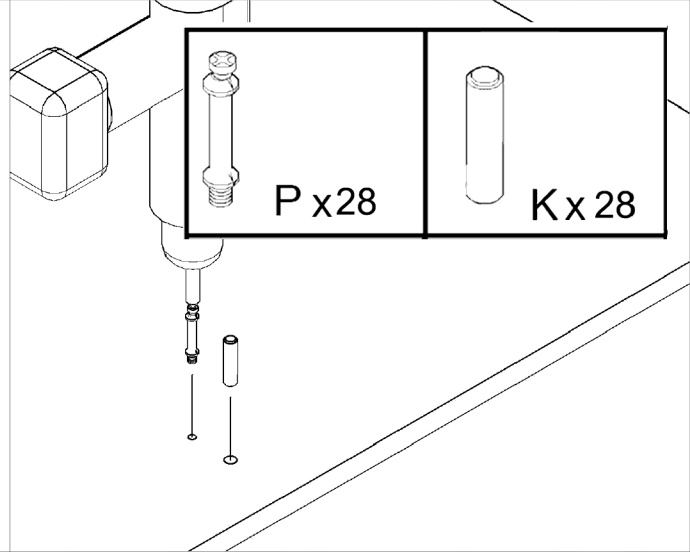
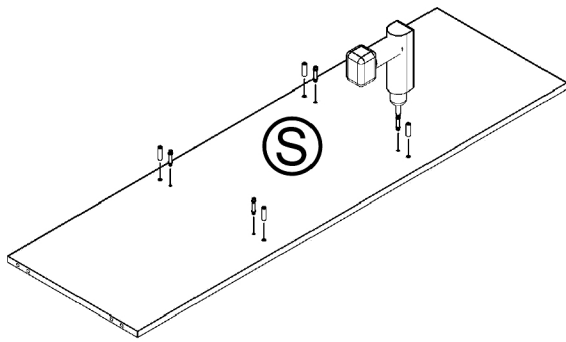
6

SIDE A

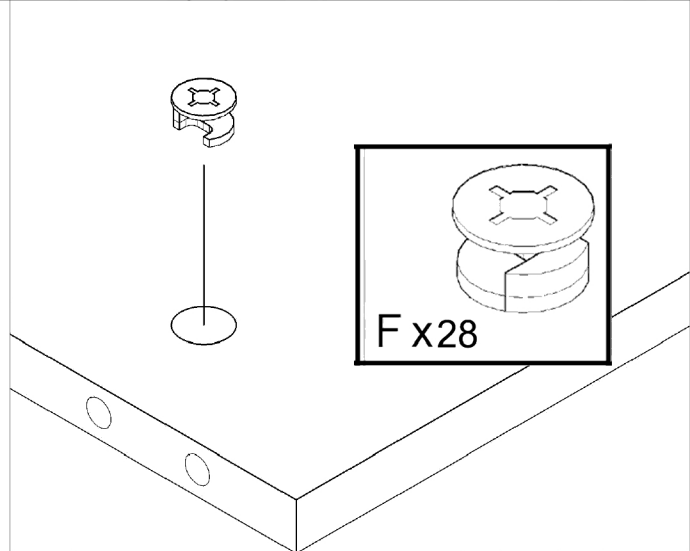
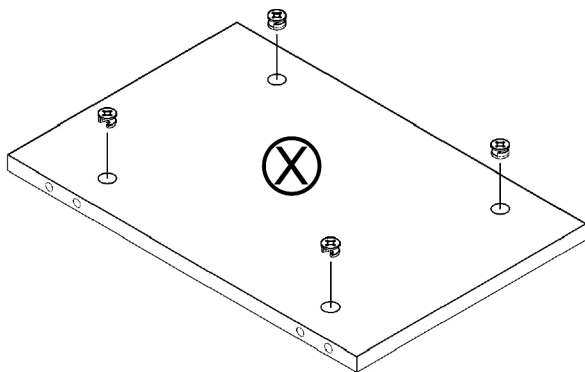


7

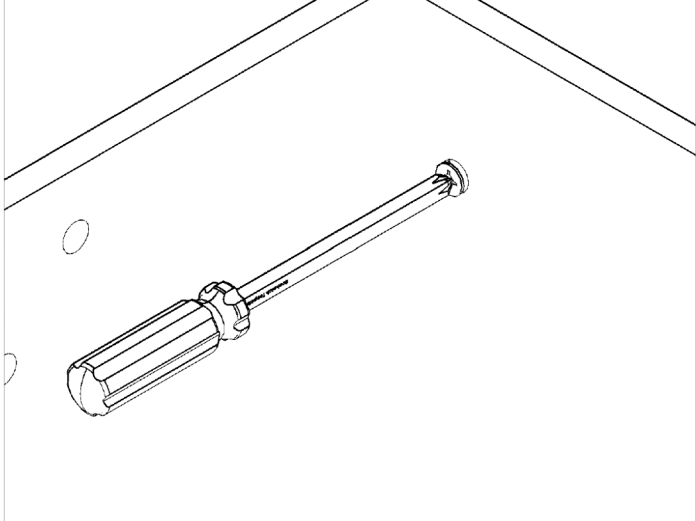
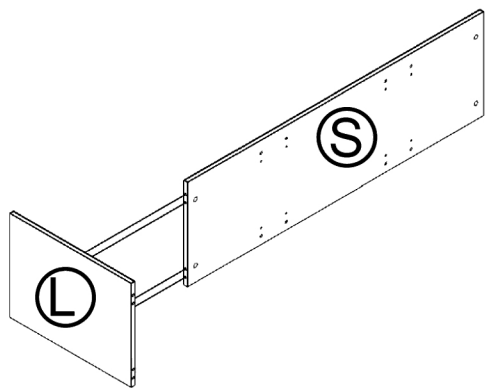
SIDE B



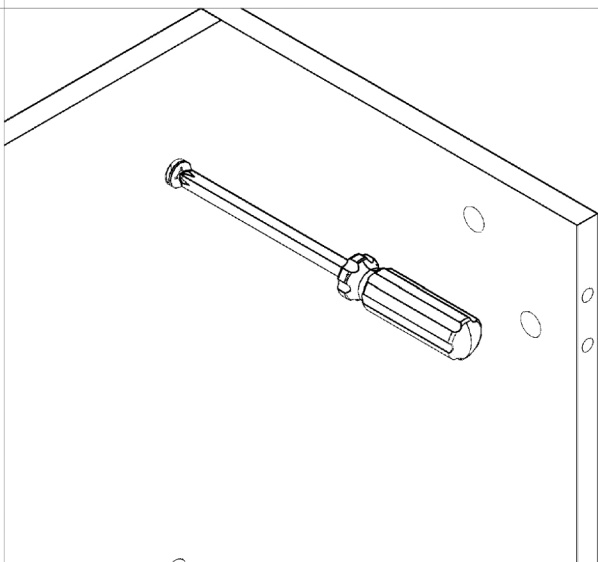
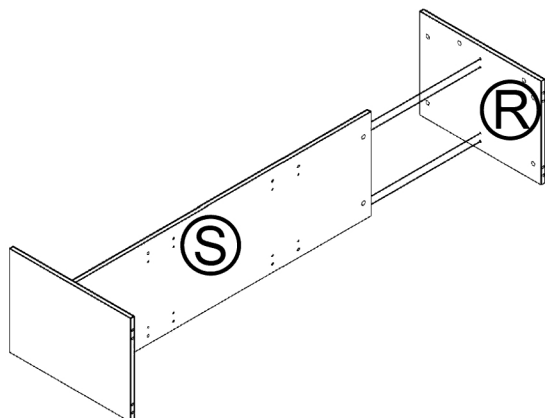
8



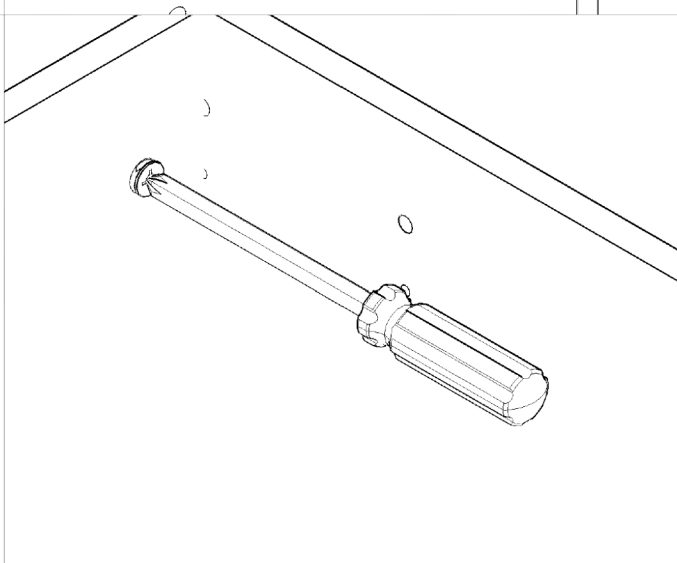
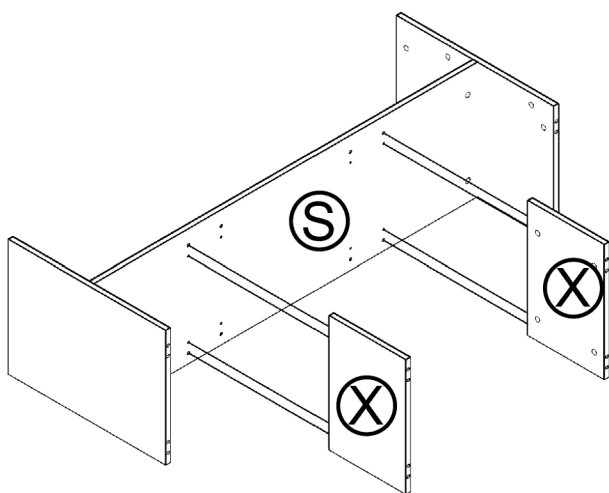
9



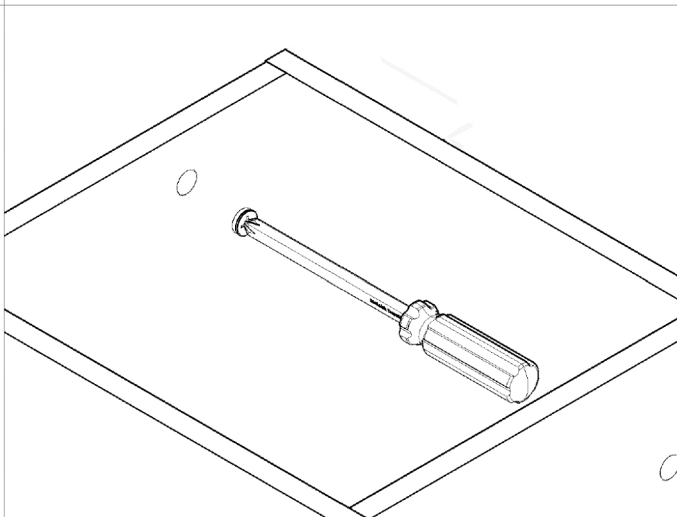
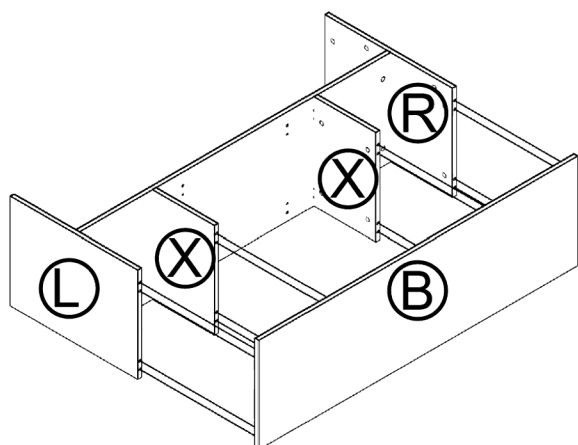
10



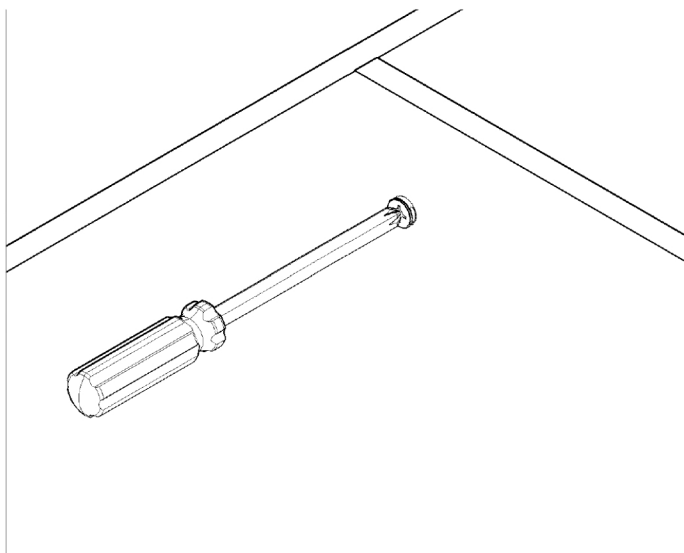
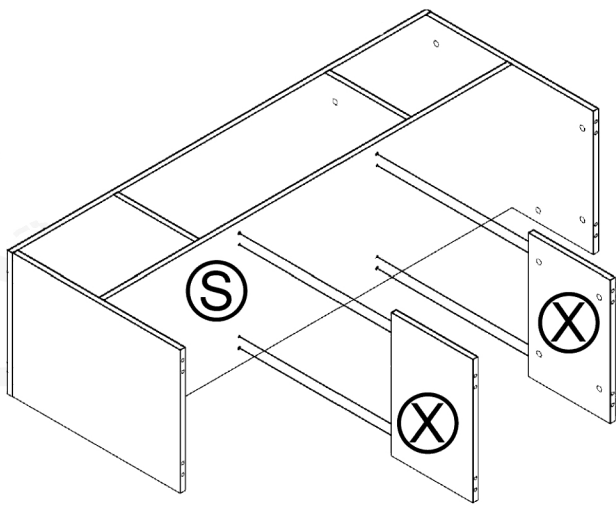
11



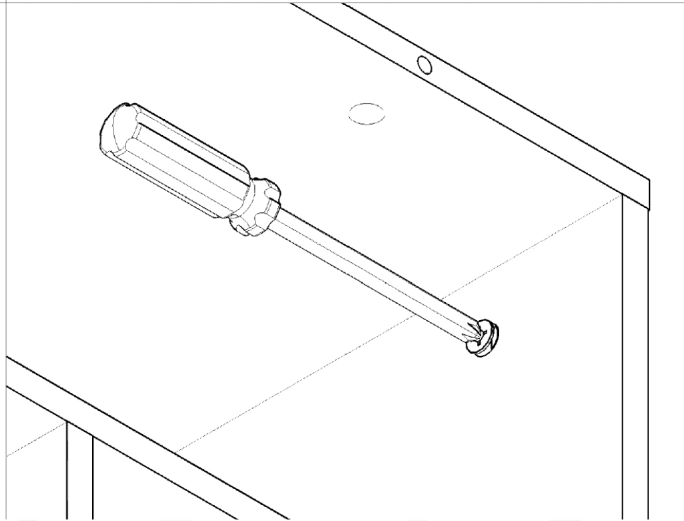
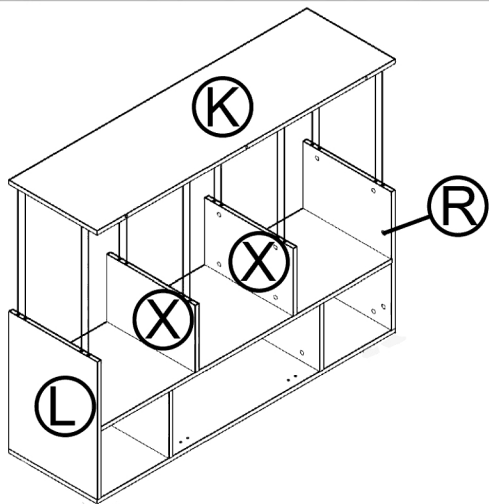
12



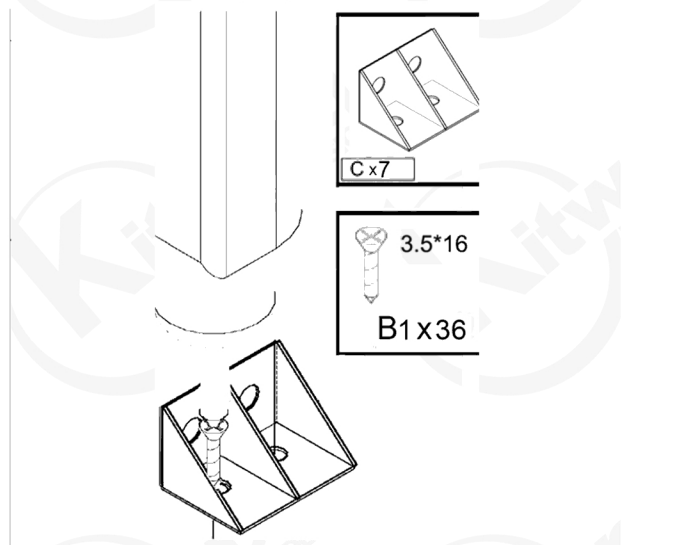
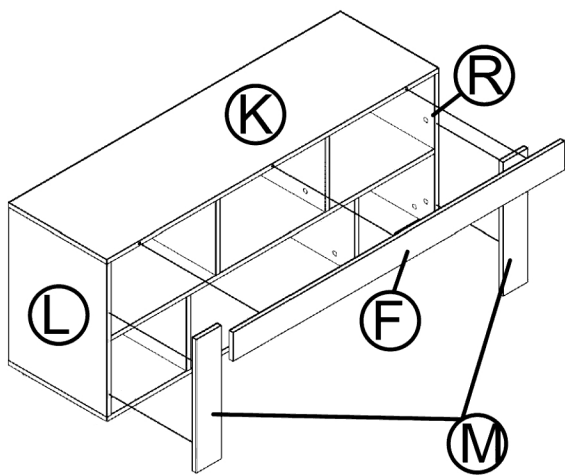
# 13



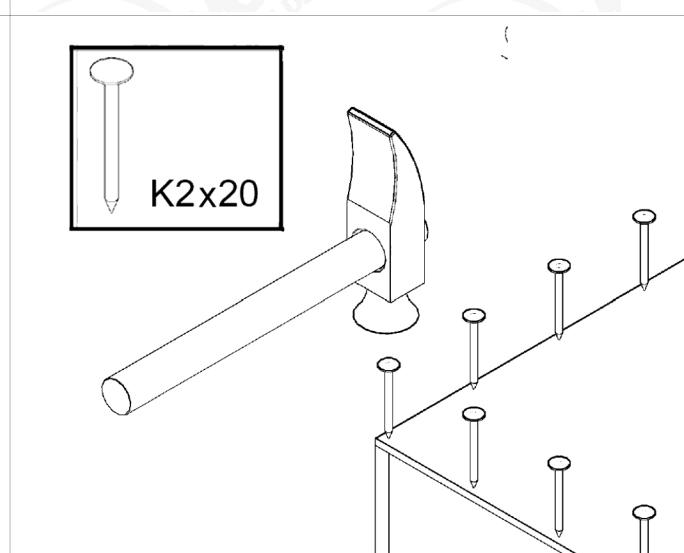
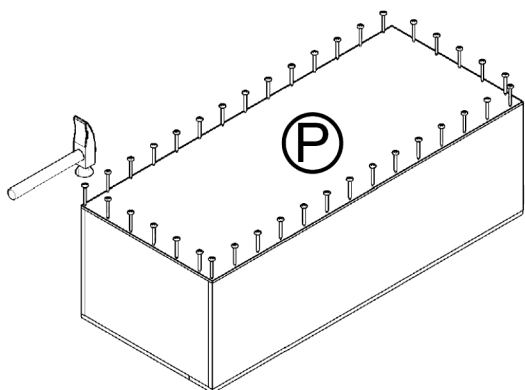
# 14



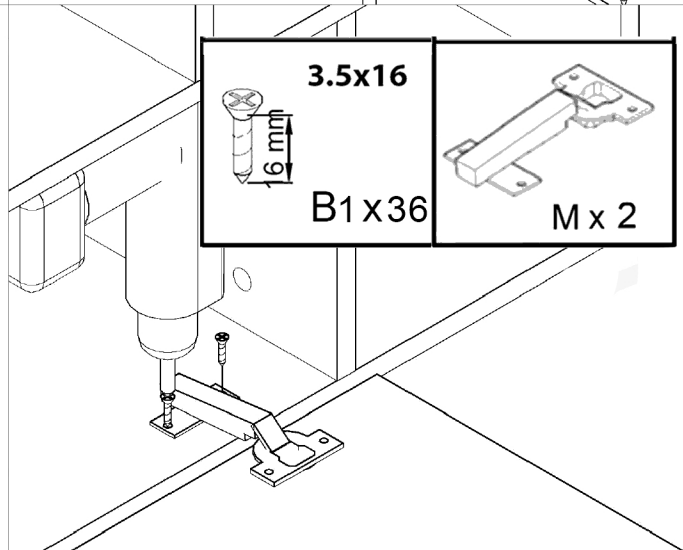
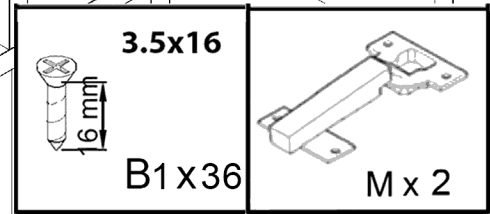
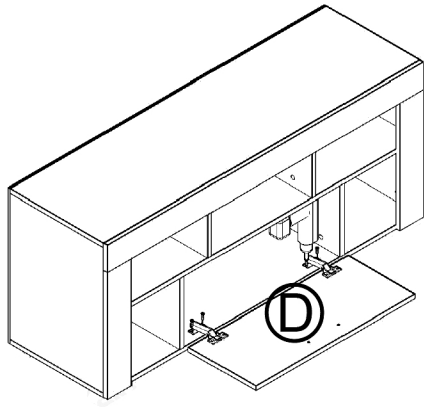
# 15



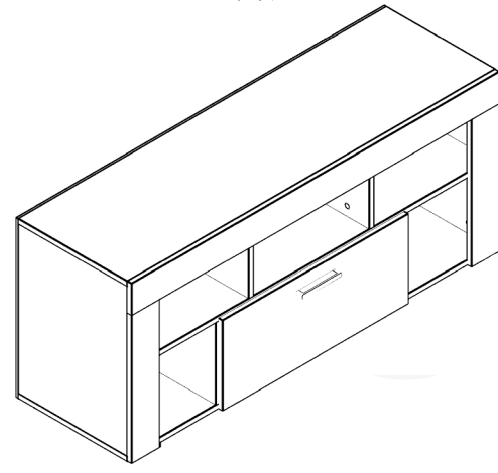
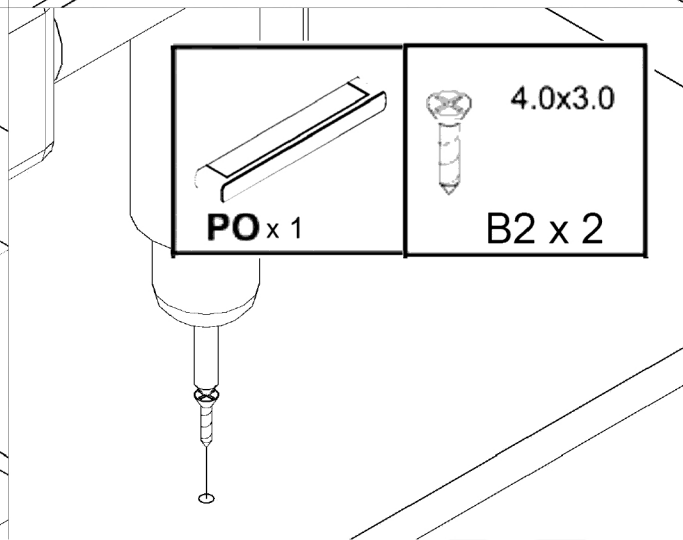
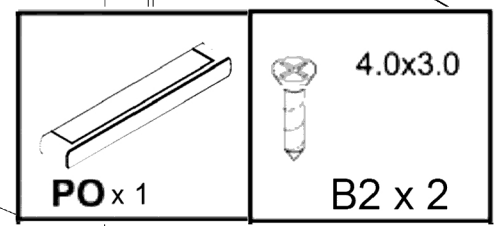
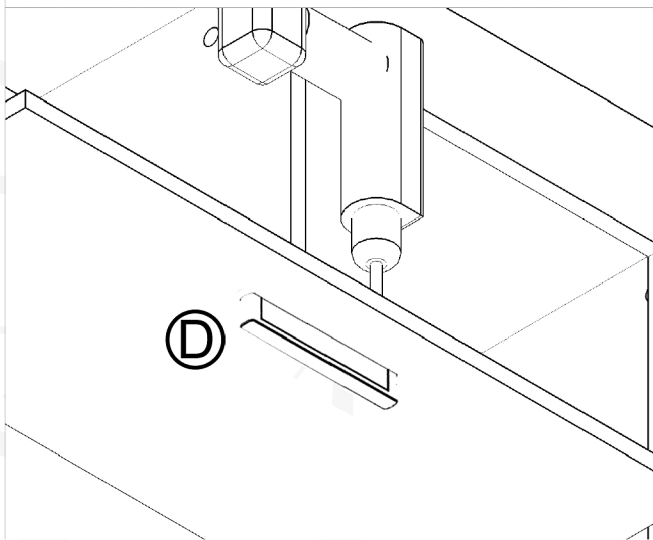
# 16



# 17



# 18



**PLASTIC COVER CAPS FOR SCREWS**

