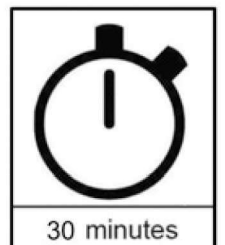
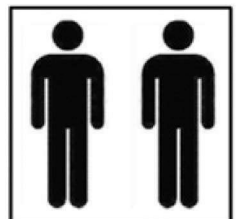
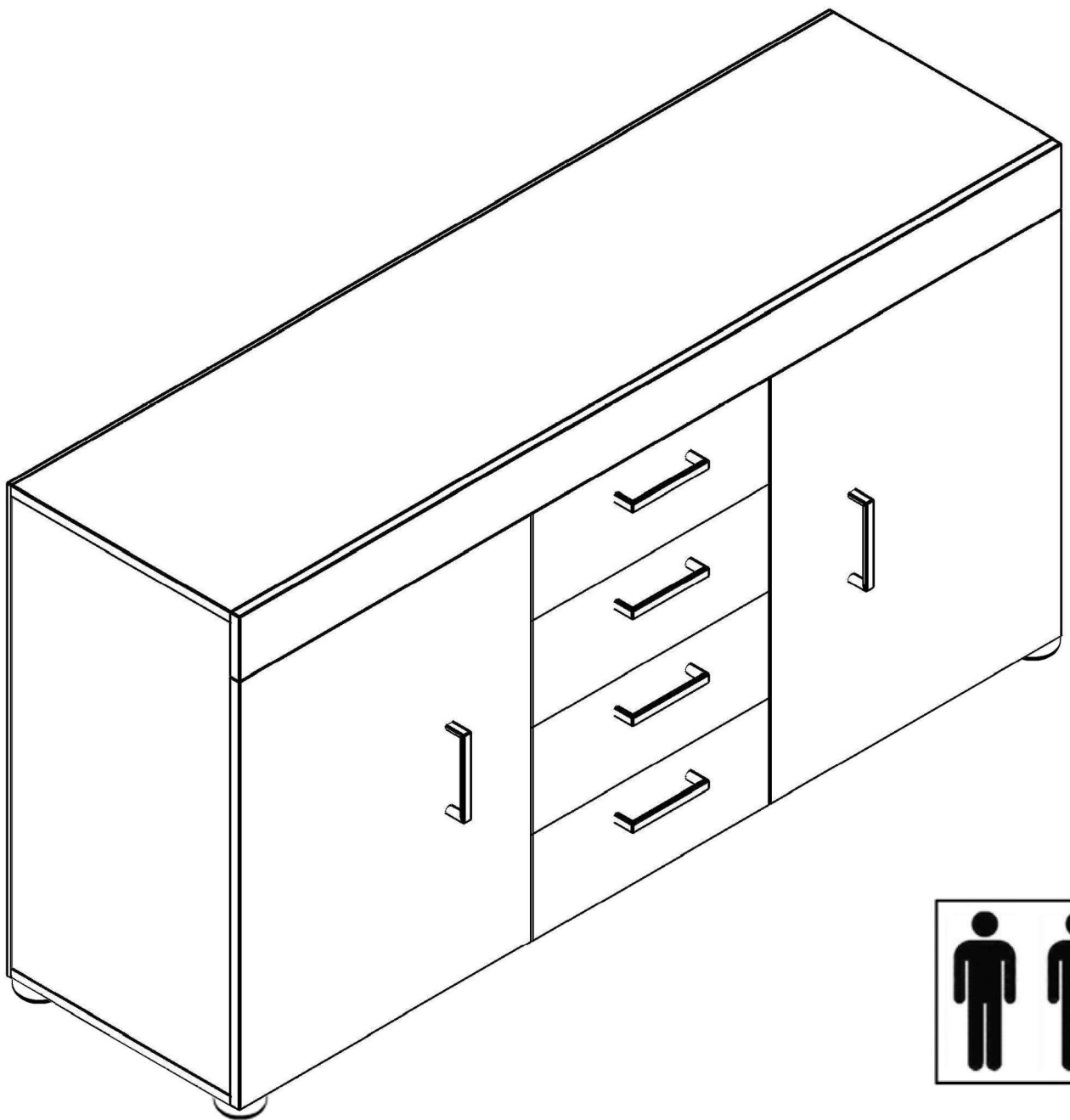
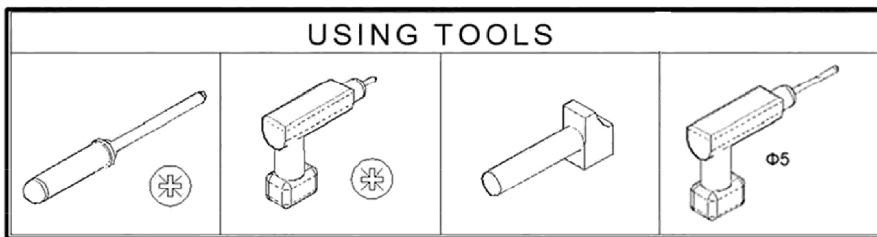
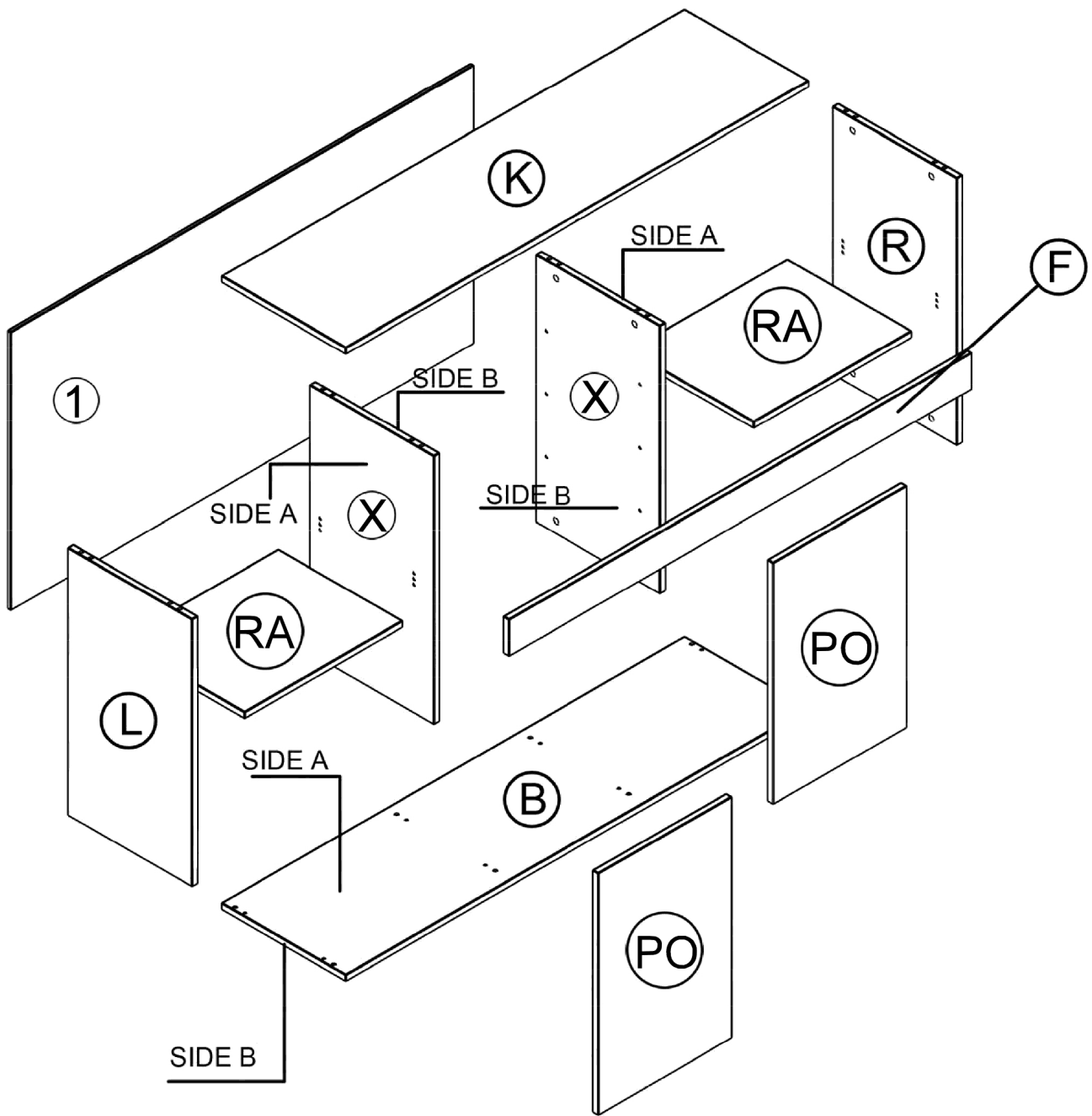





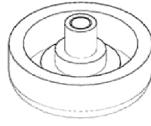
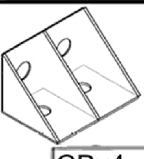
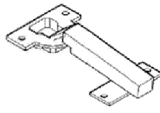



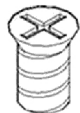
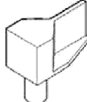



GRK1004

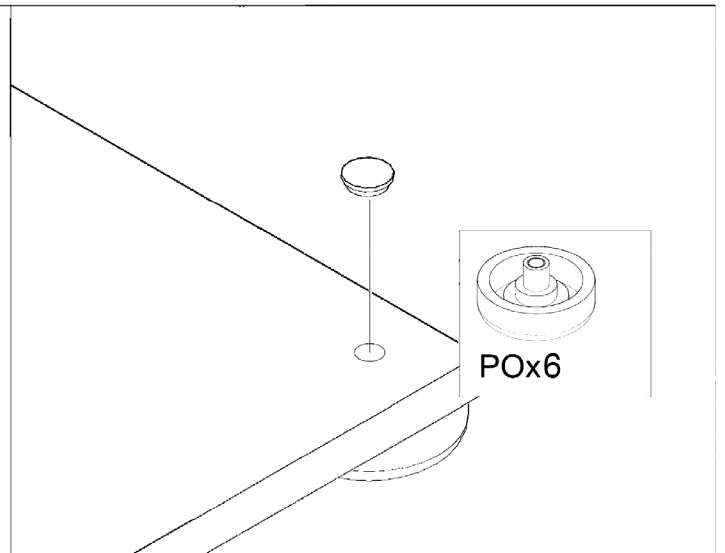
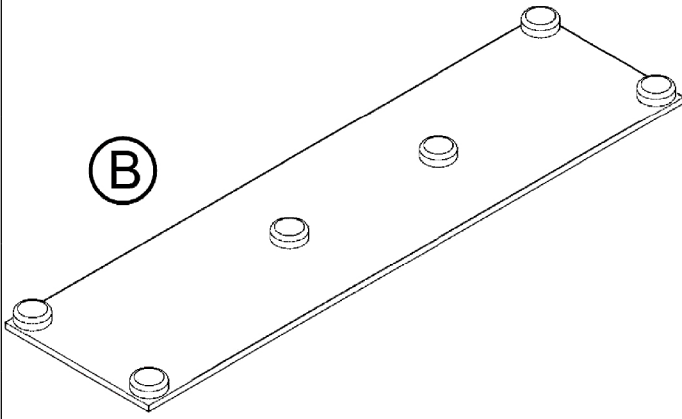




 P x 32	 K x 32	 F x 32	 PO x 6	 4.0x3.5 B2 x 12	 PO x 6	 GP x 4
 MI x 4	 OM x 4	 K2 x 30	 3.5x16 16 mm B3 x 48	 E x 16	 Tx 8	 TP x 32

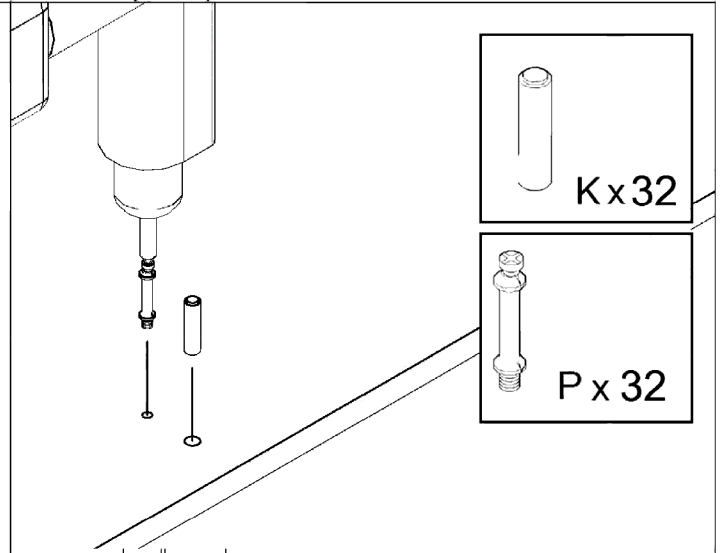
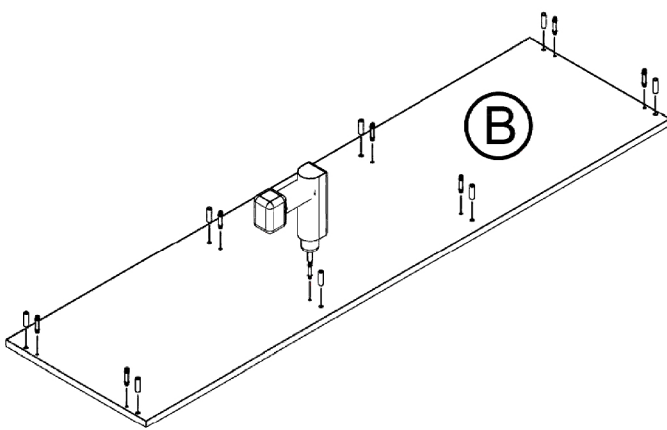
1

SIDE B

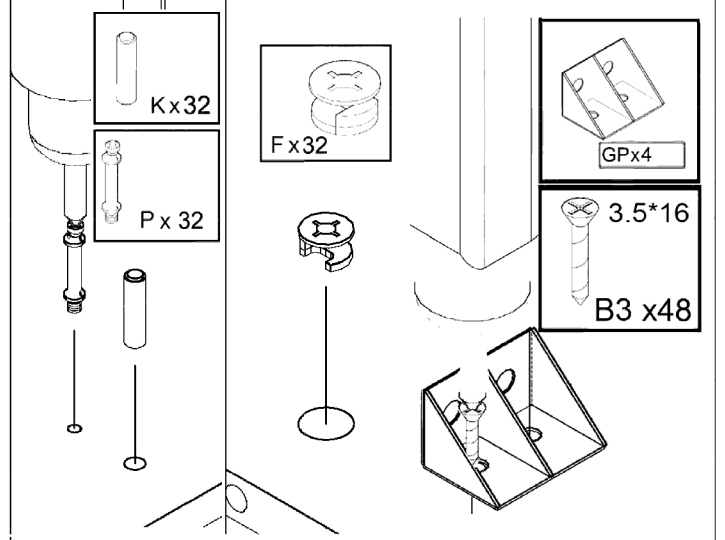
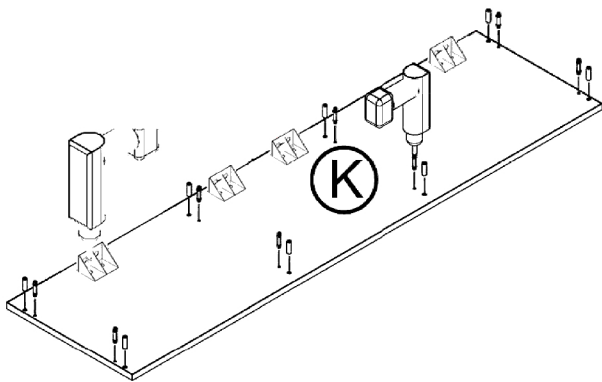


2

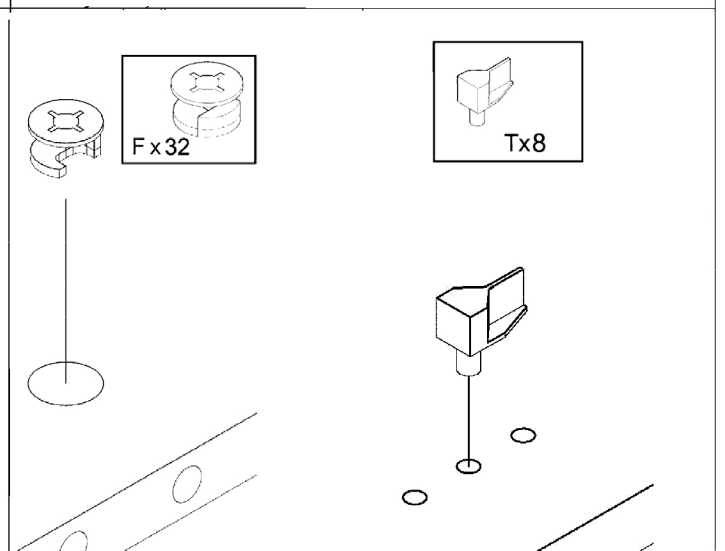
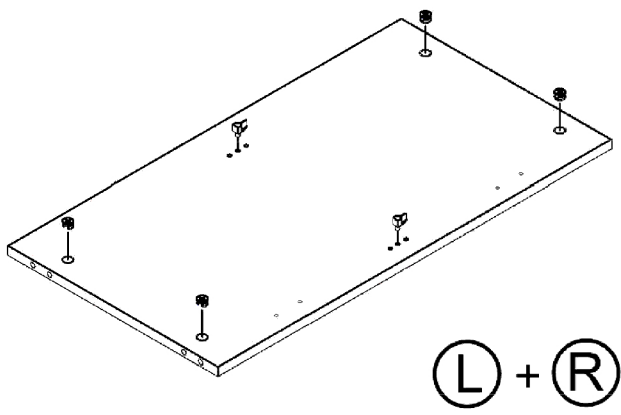
SIDE A



3

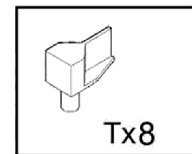
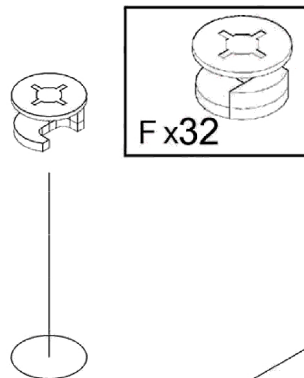
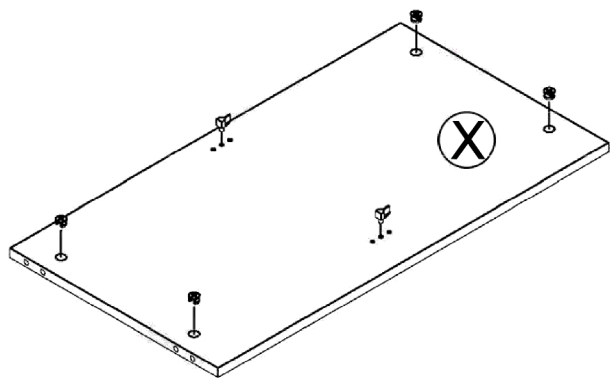


4



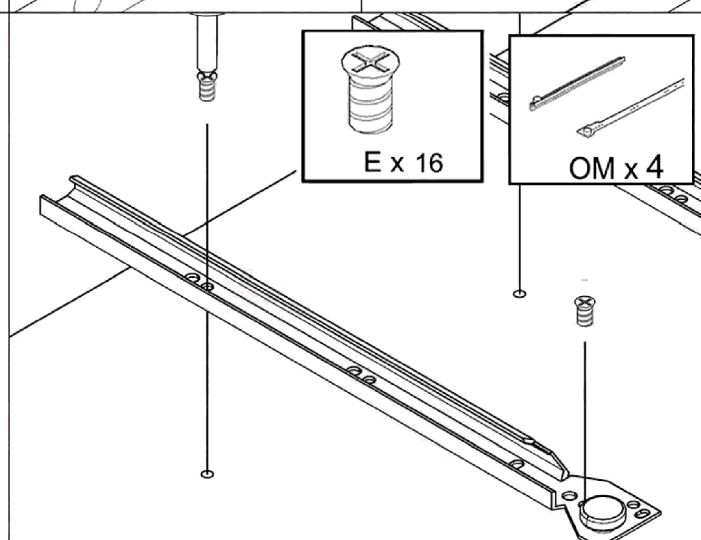
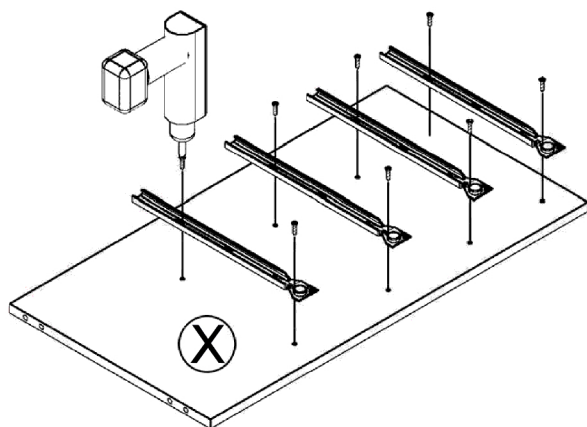
5

SIDE A

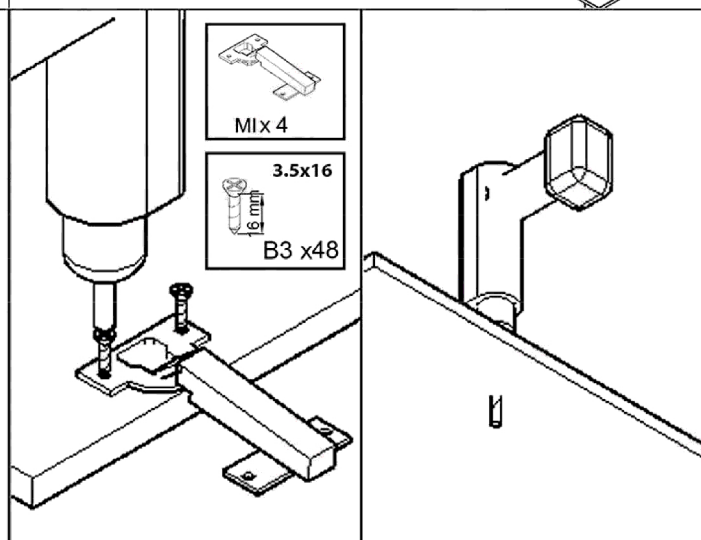
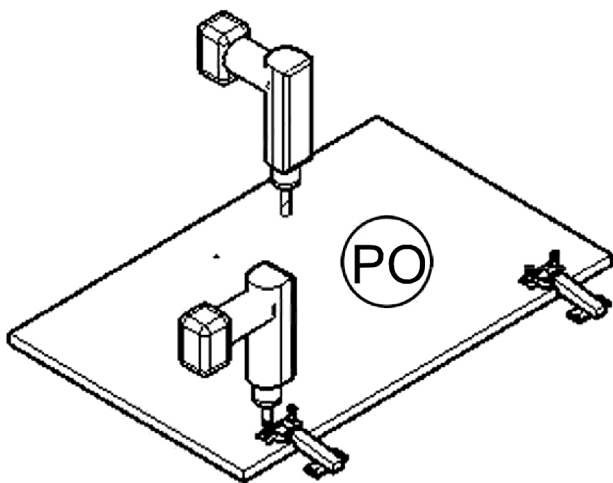


6

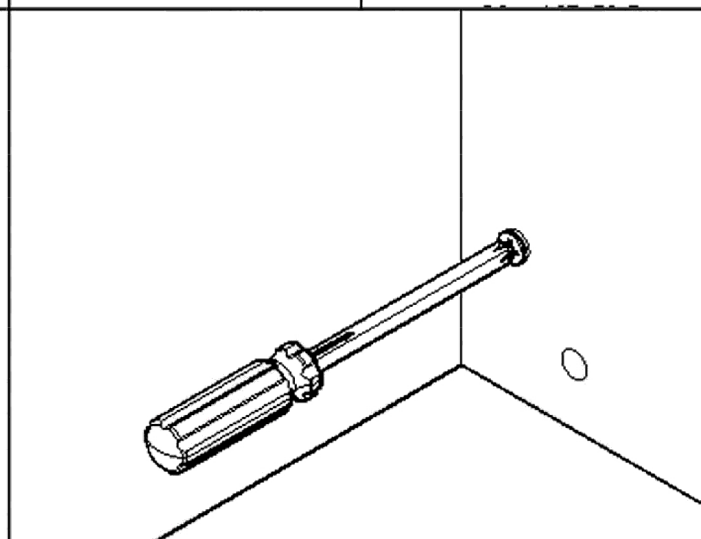
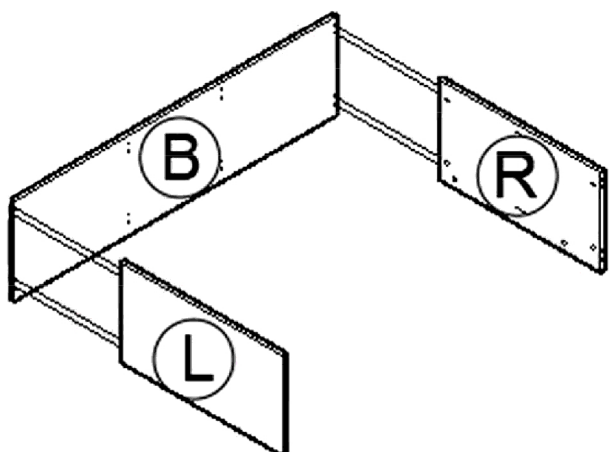
SIDE B



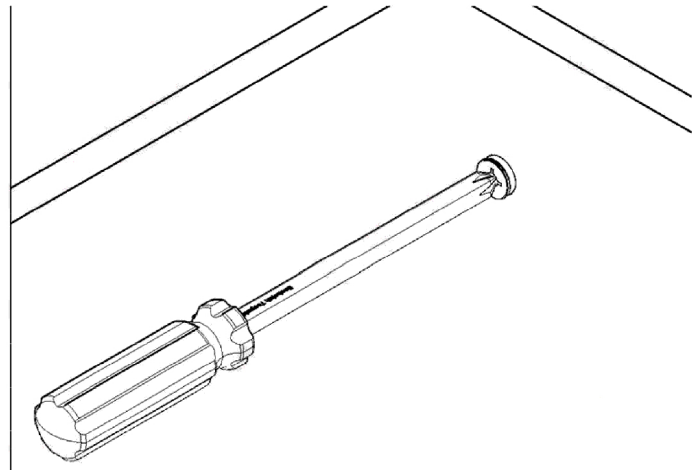
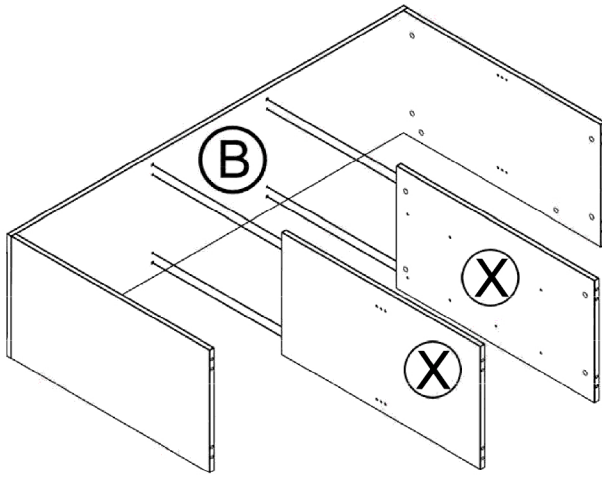
7



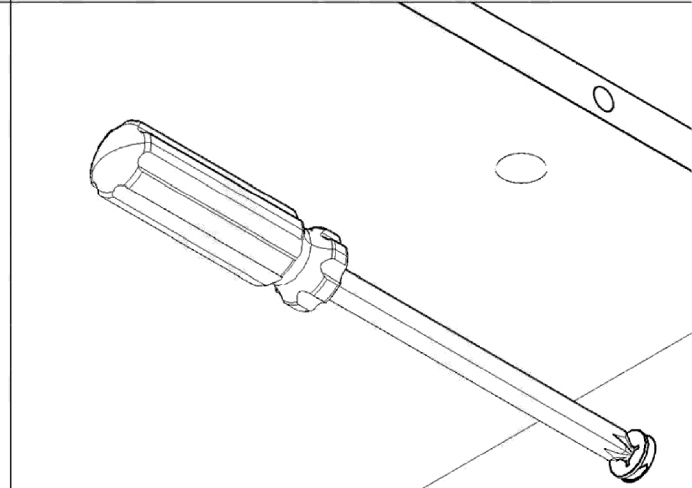
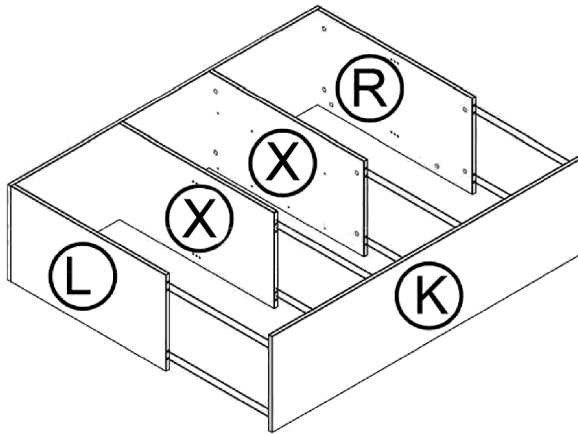
8



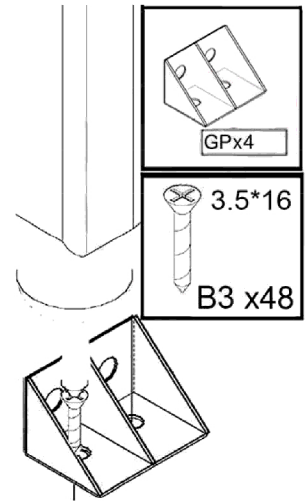
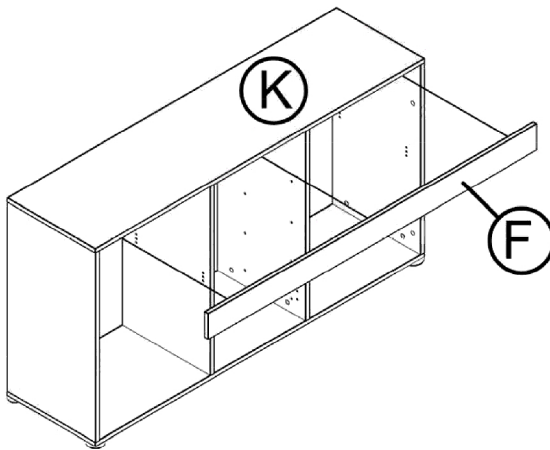
9



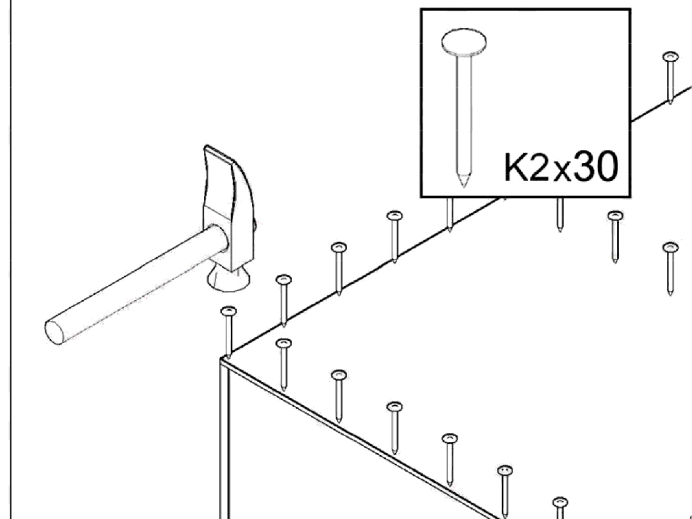
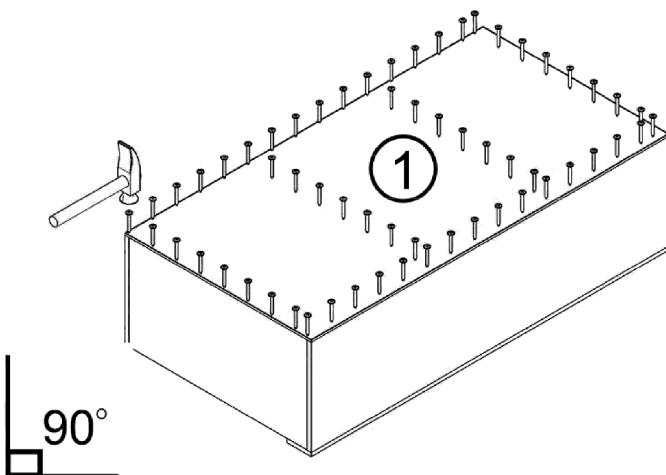
10



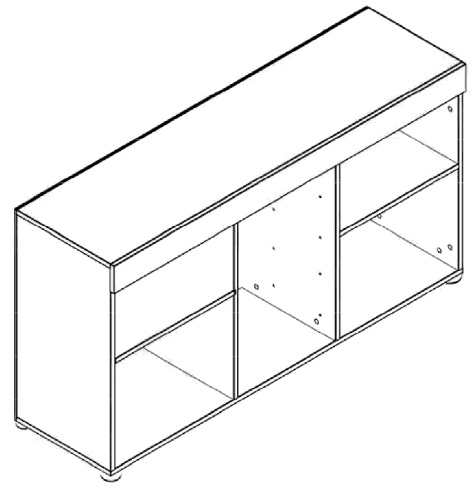
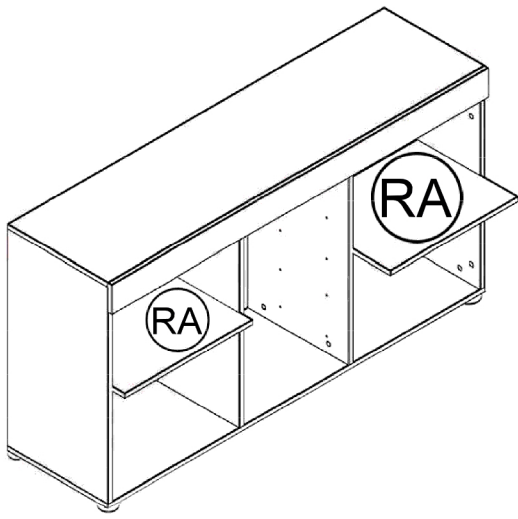
11



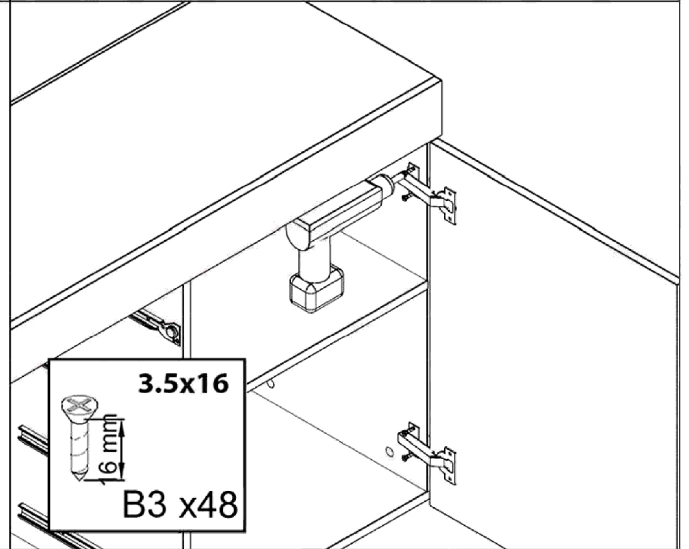
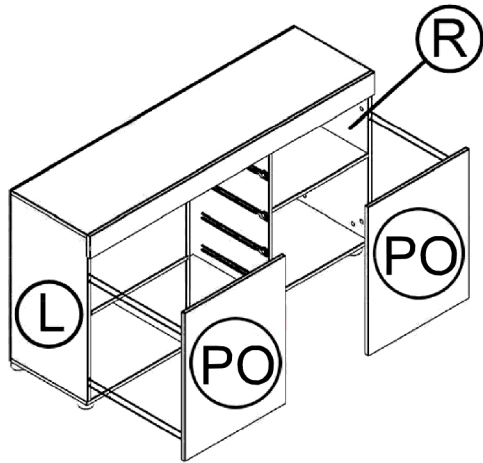
12



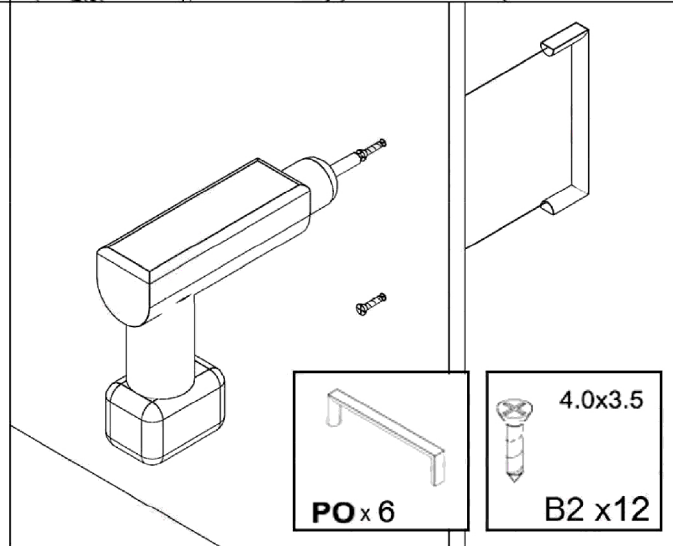
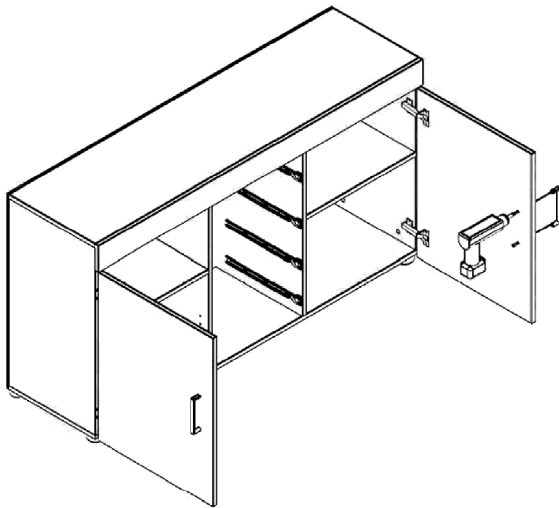
13



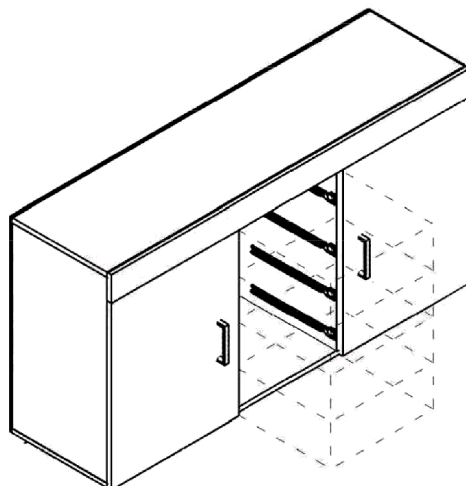
14



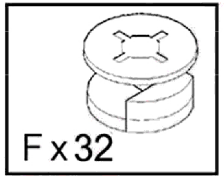
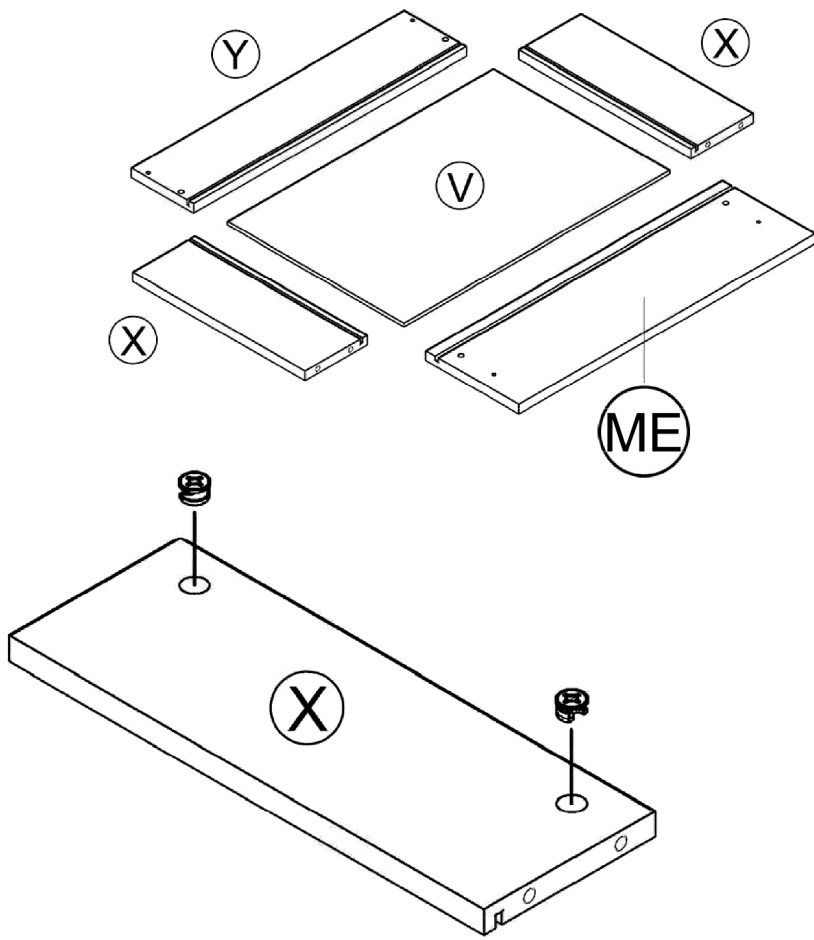
15



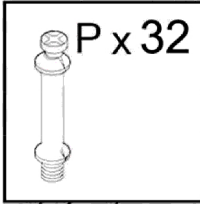
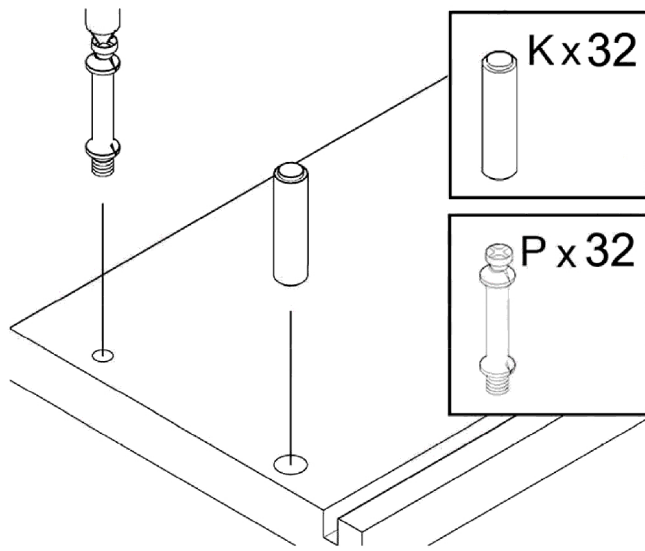
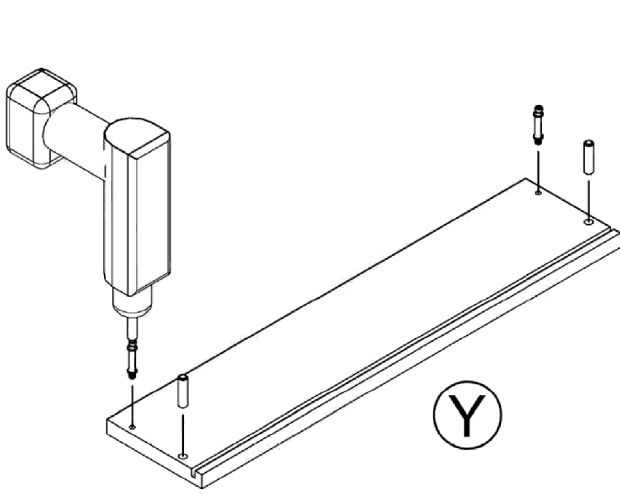
16



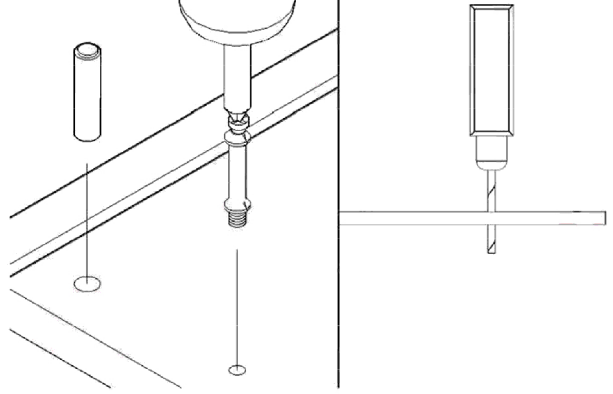
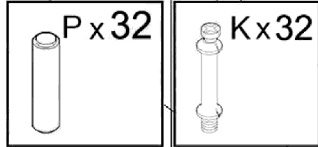
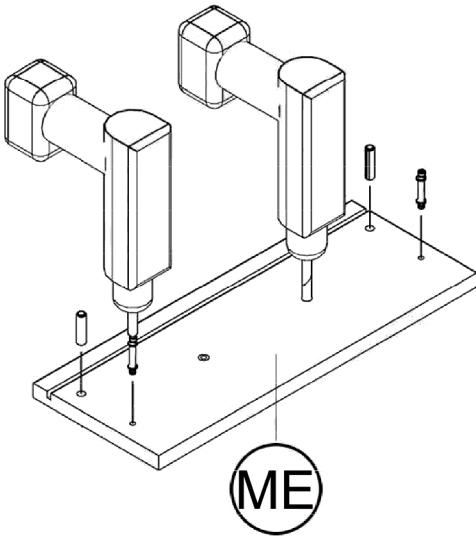
1



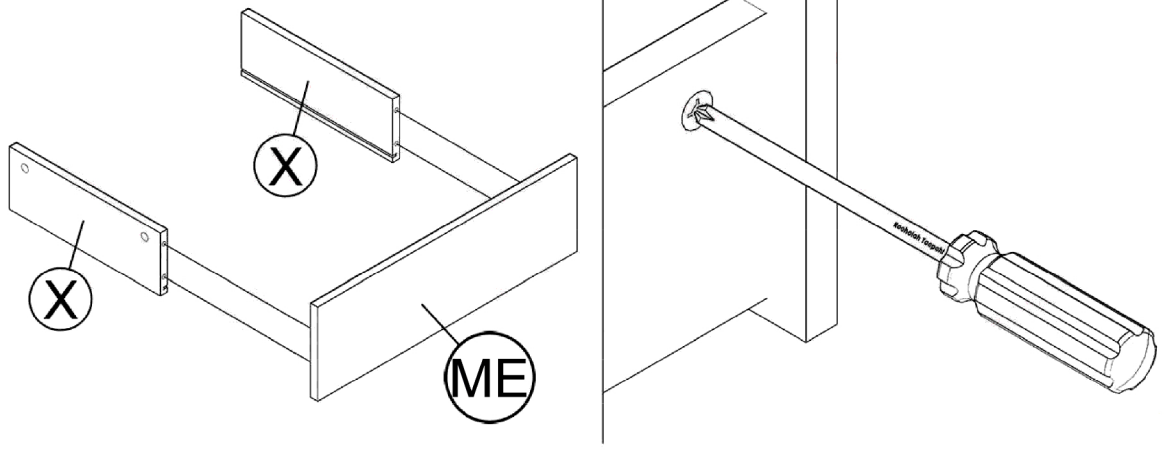
2



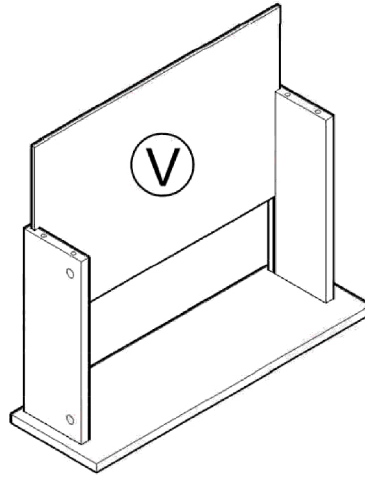
3



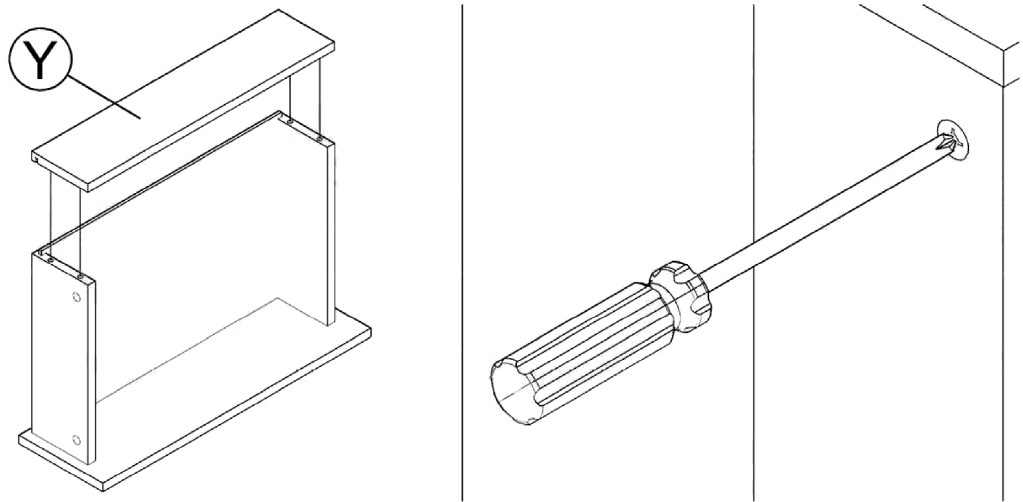
4



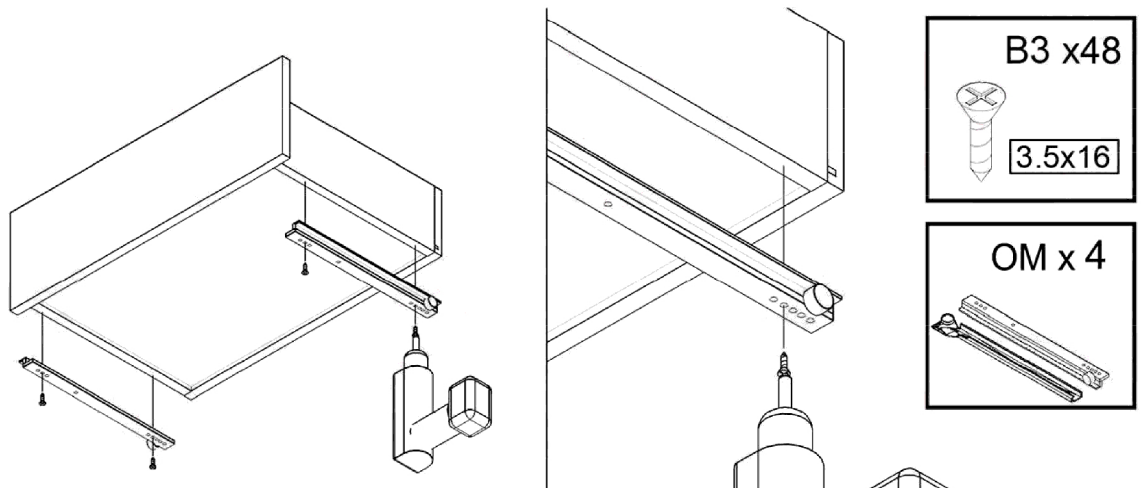
5



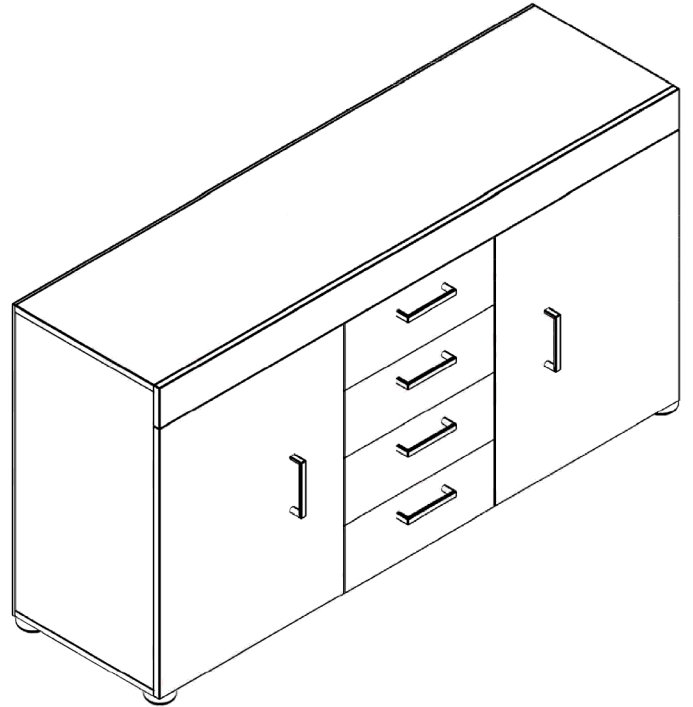
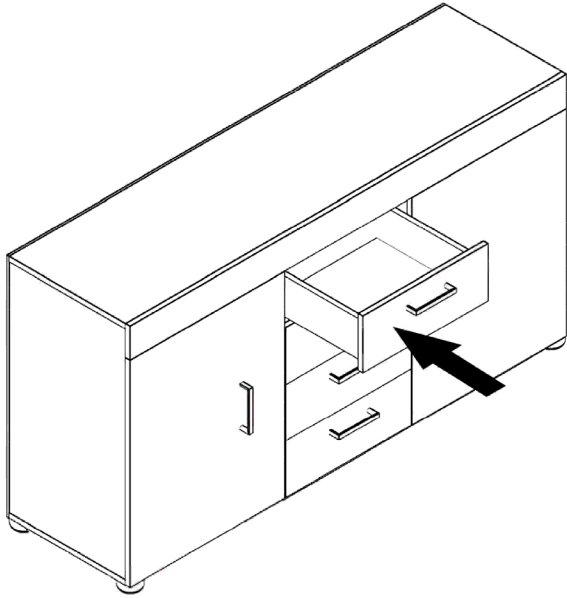
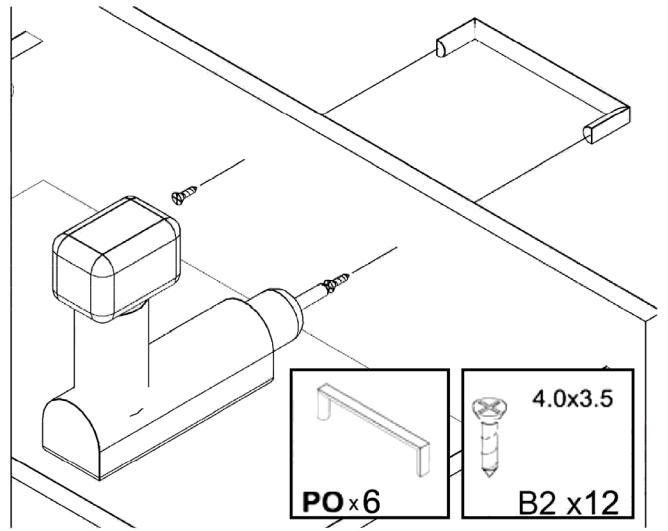
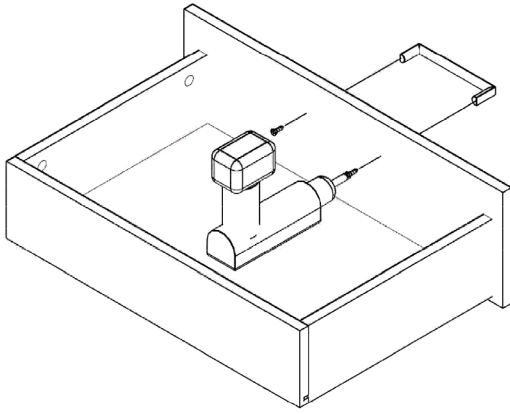
6



7



8



PLASTIC COVER CAPS FOR SCREWS

