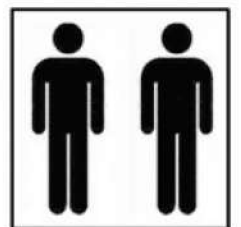
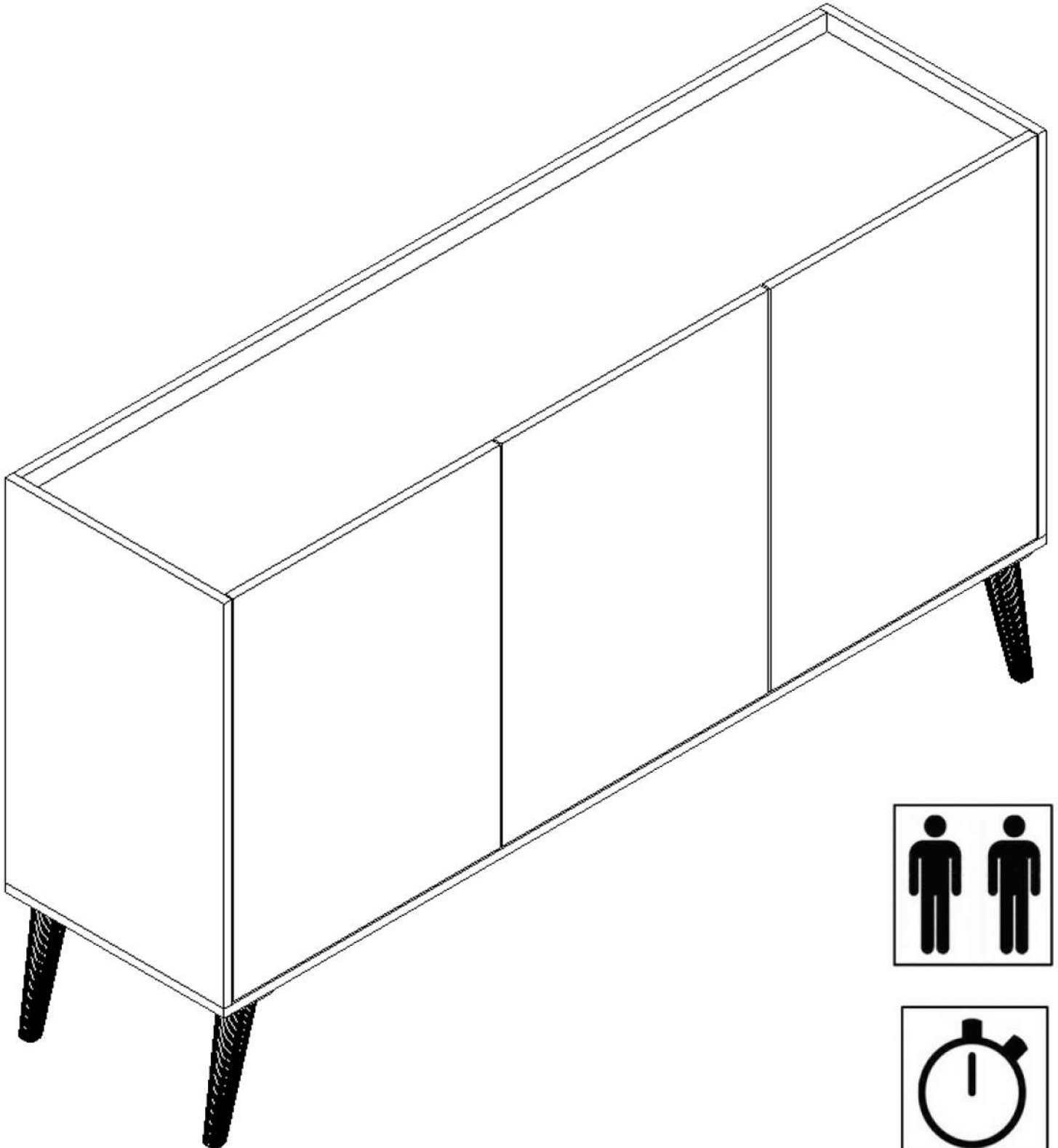
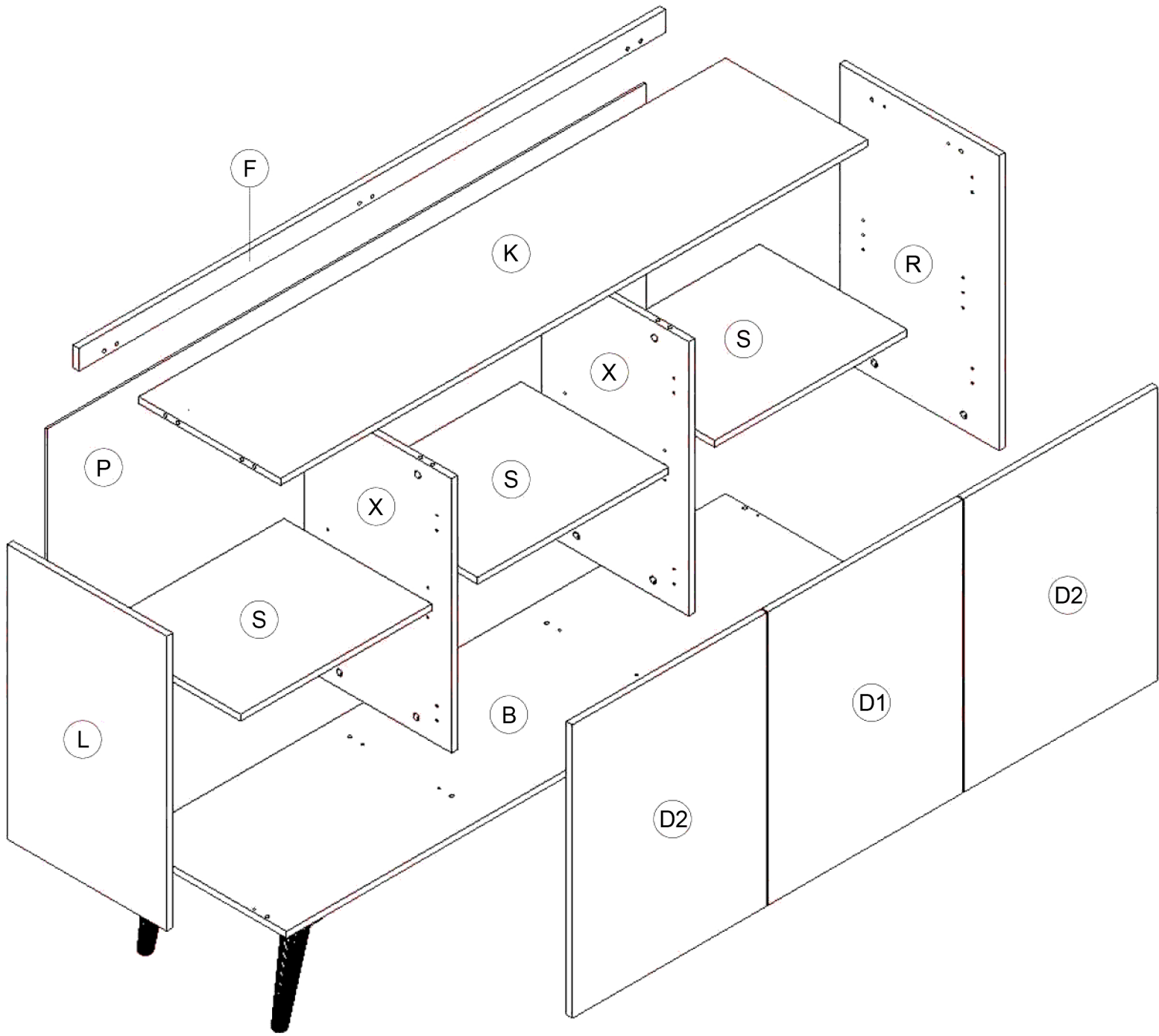


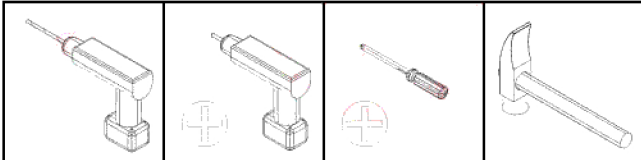
GRK1007

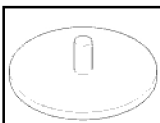
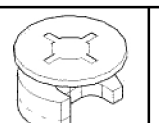
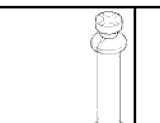
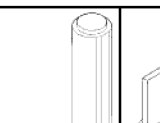

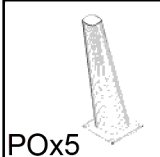
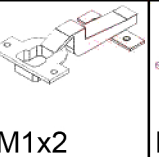
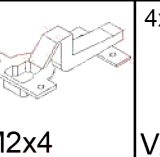
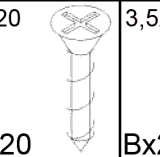
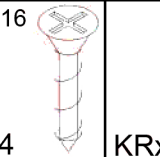
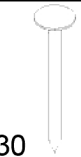


40 minutes



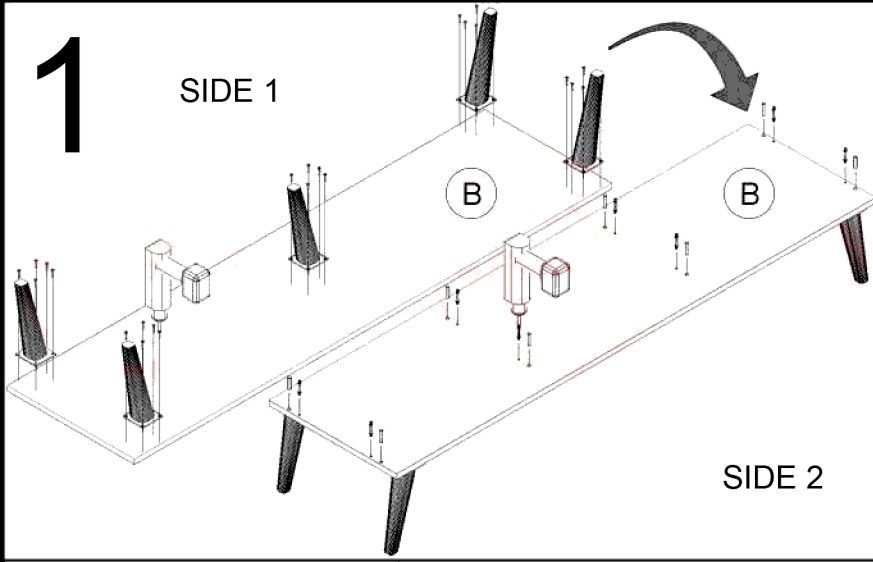
USING TOOLS



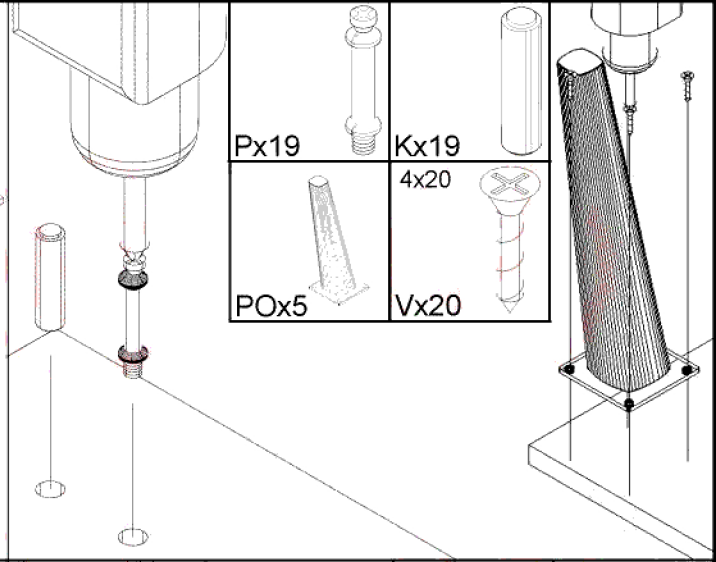
 Tx19	 Fx19	 Px19	 Kx19	 TRx12	
 POx5	 M1x2	 M2x4	 Vx20	 Bx24	 KRx30

1

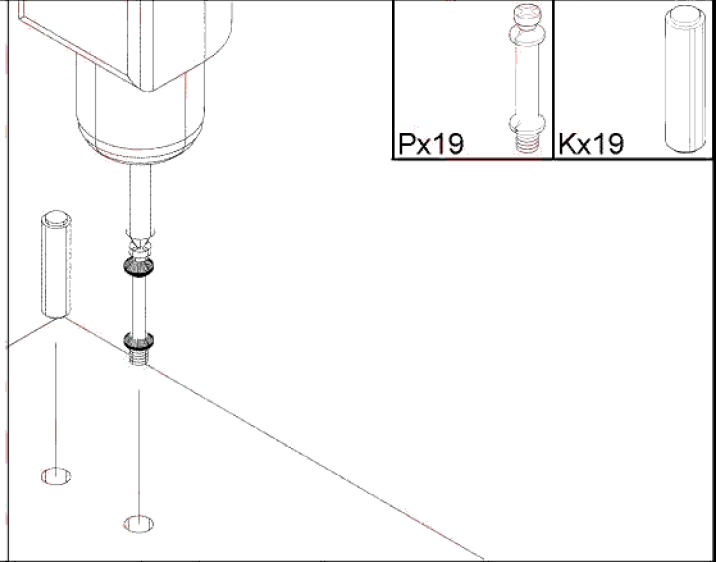
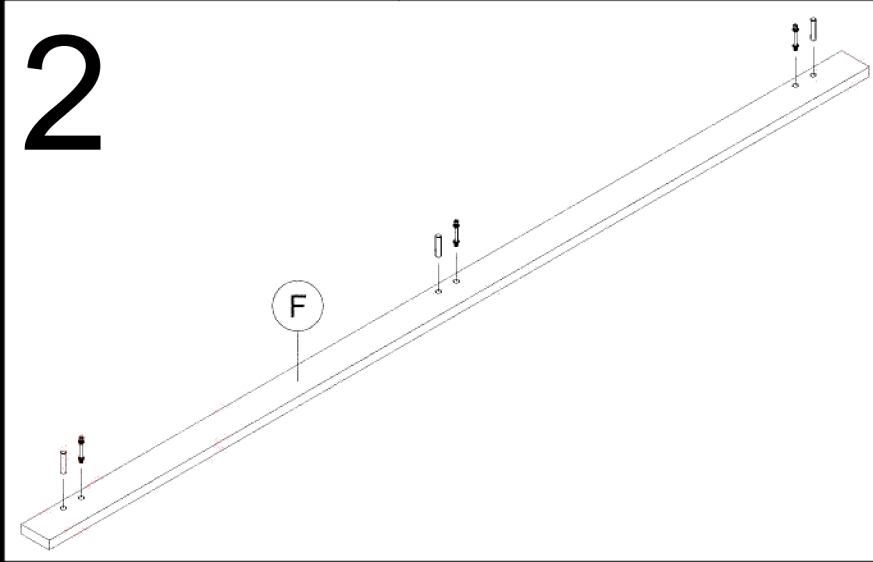
SIDE 1



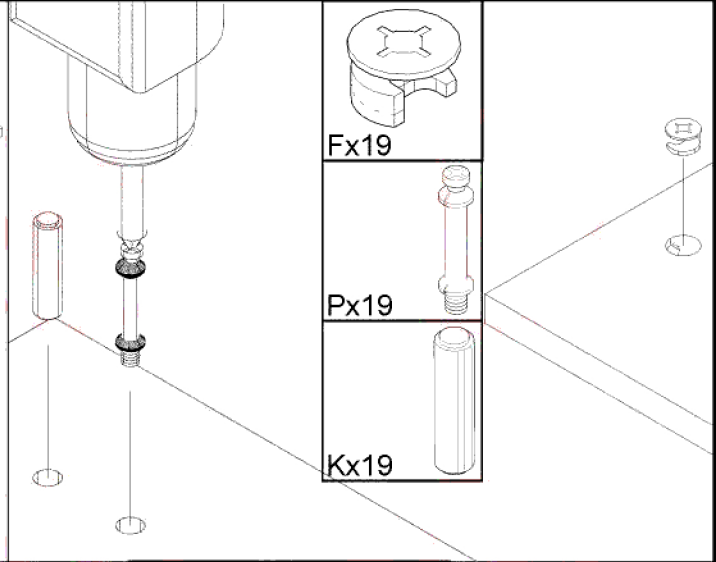
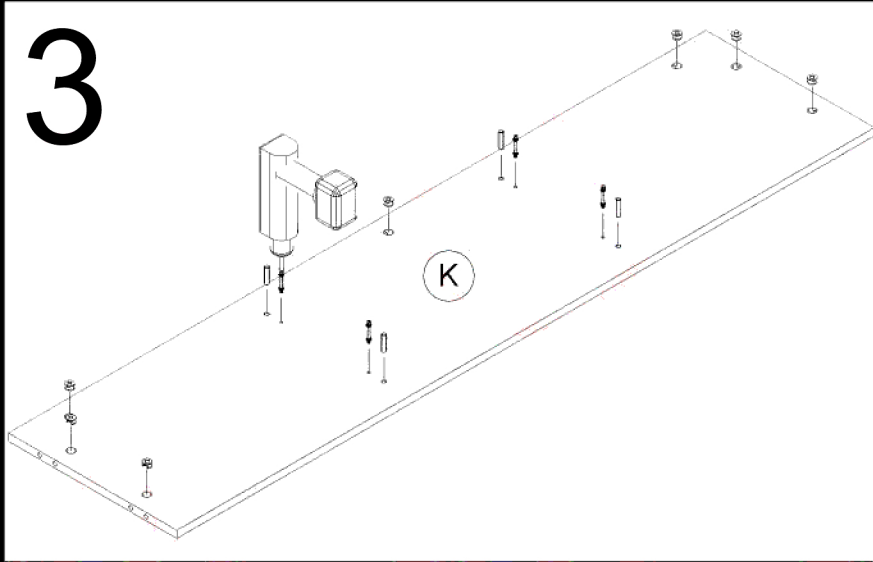
SIDE 2



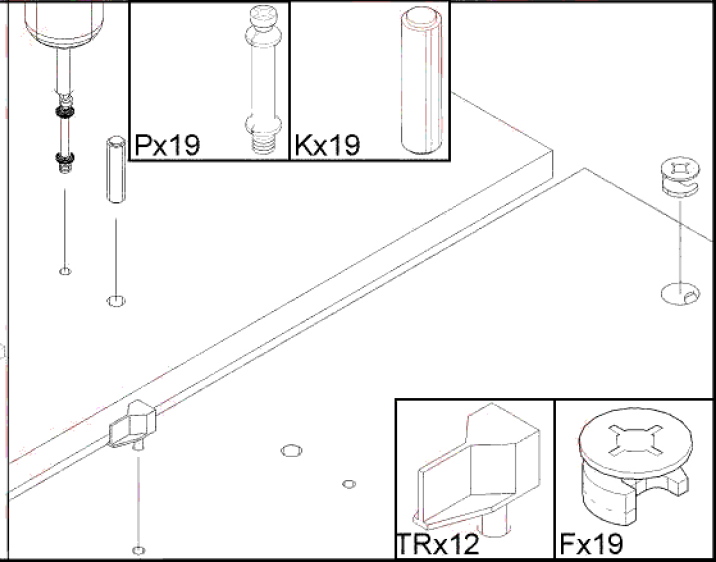
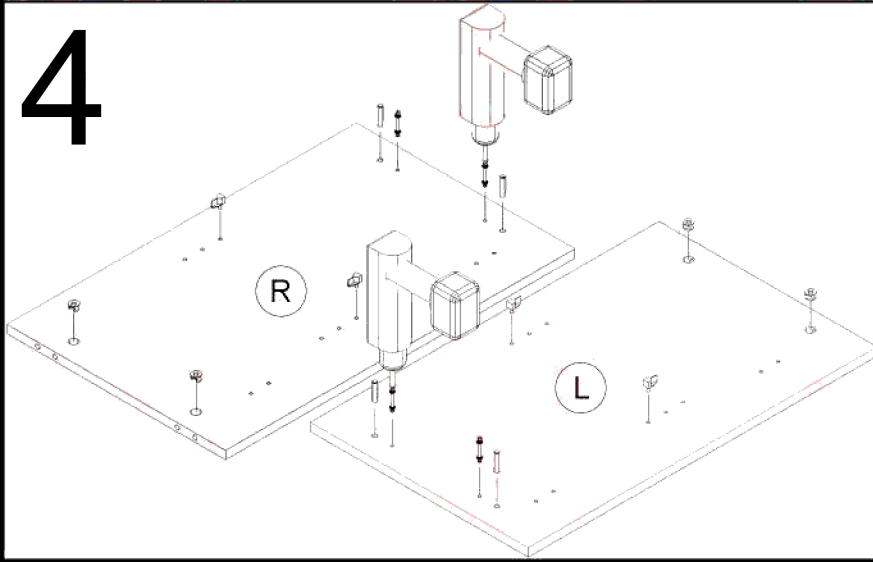
2



3



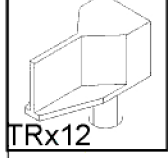
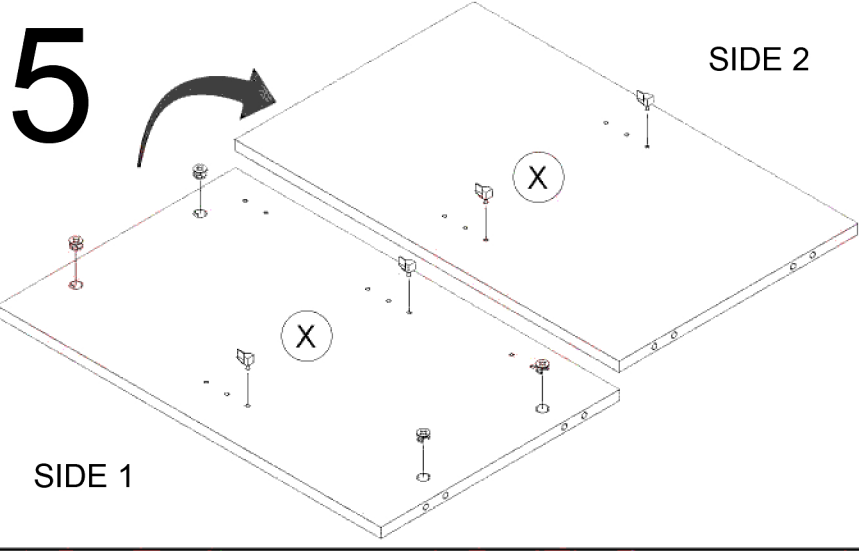
4



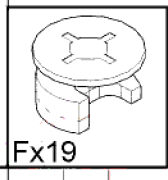
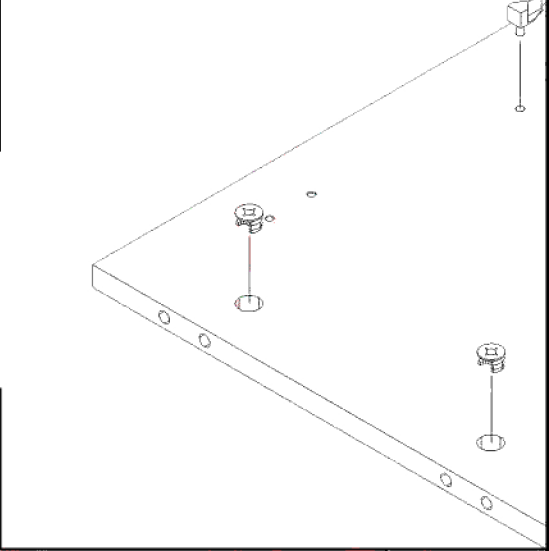
5

SIDE 2

SIDE 1



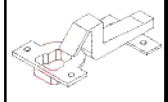
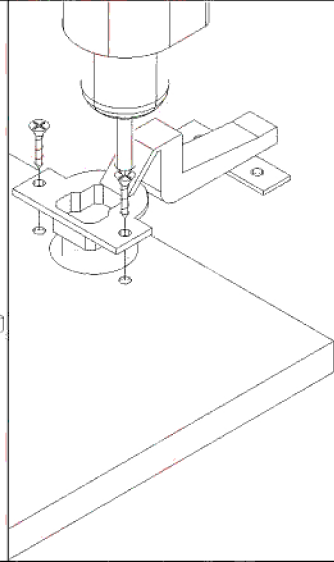
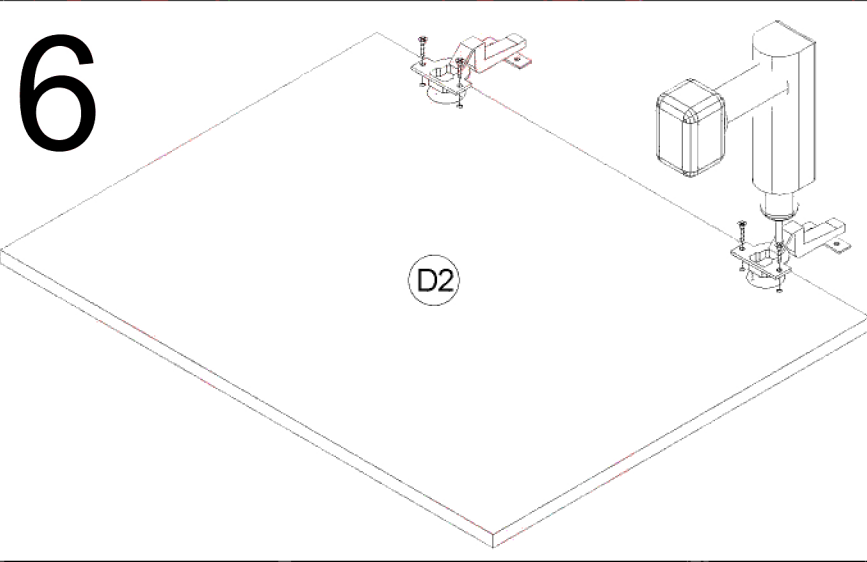
TRx12



Fx19

6

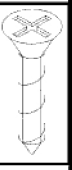
D2



M2x4

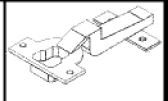
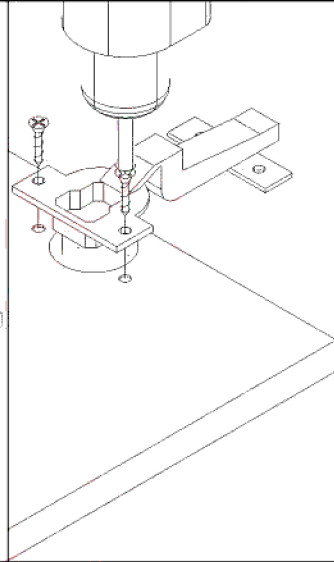
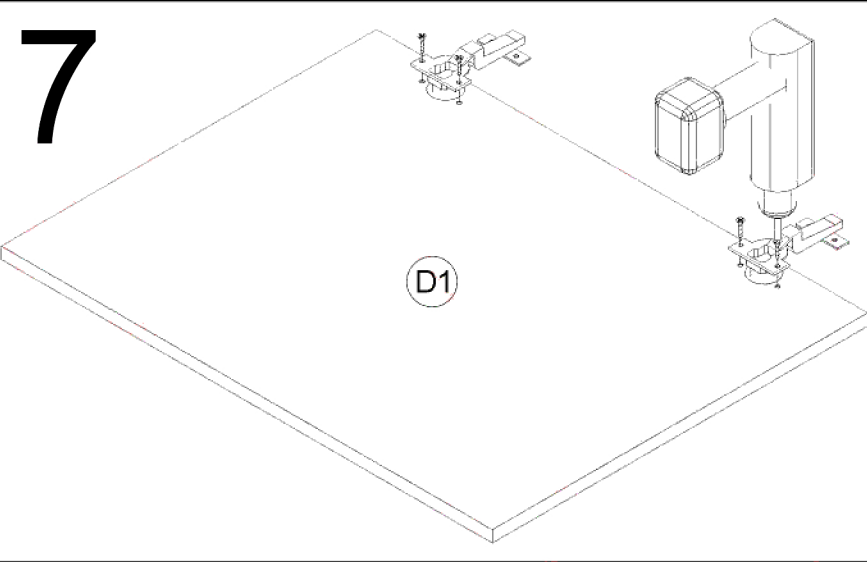
3,5X16

Bx24



7

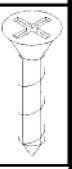
D1



M1x2

3,5X16

Bx24

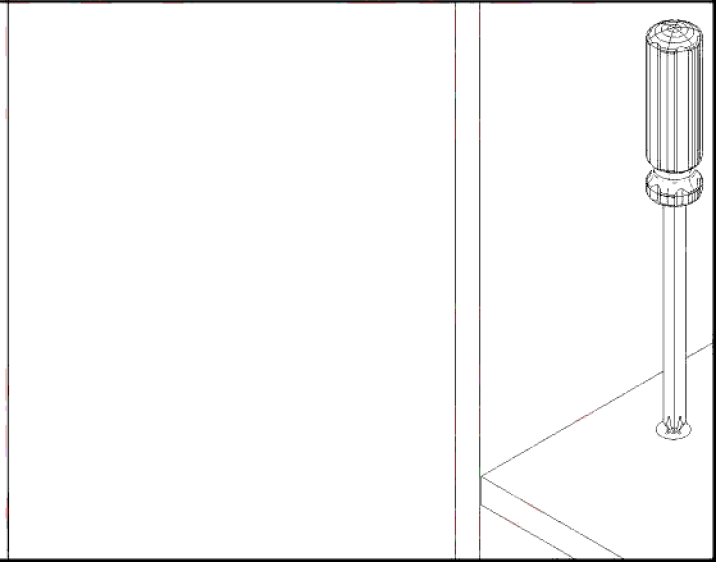
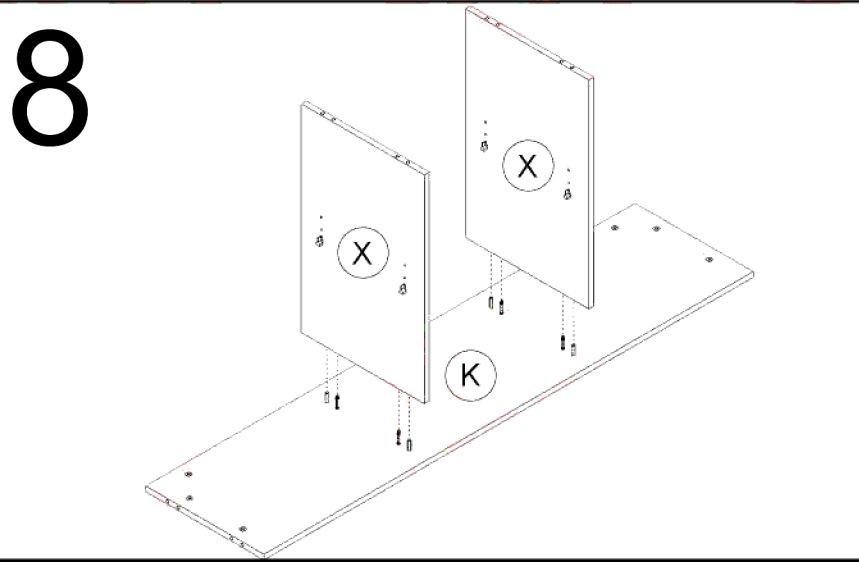


8

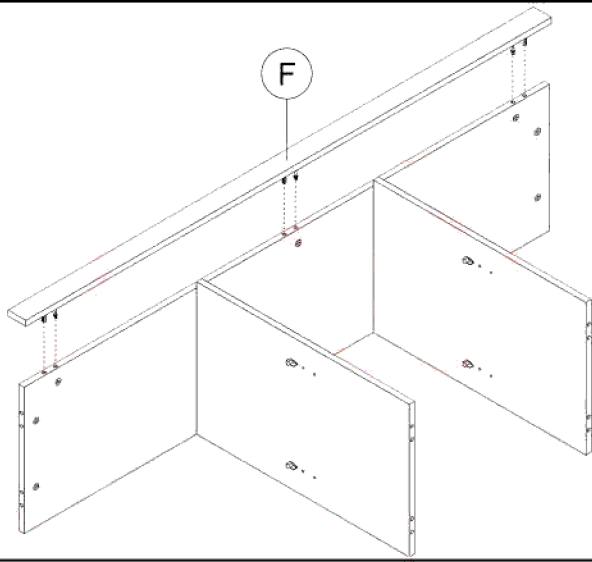
X

X

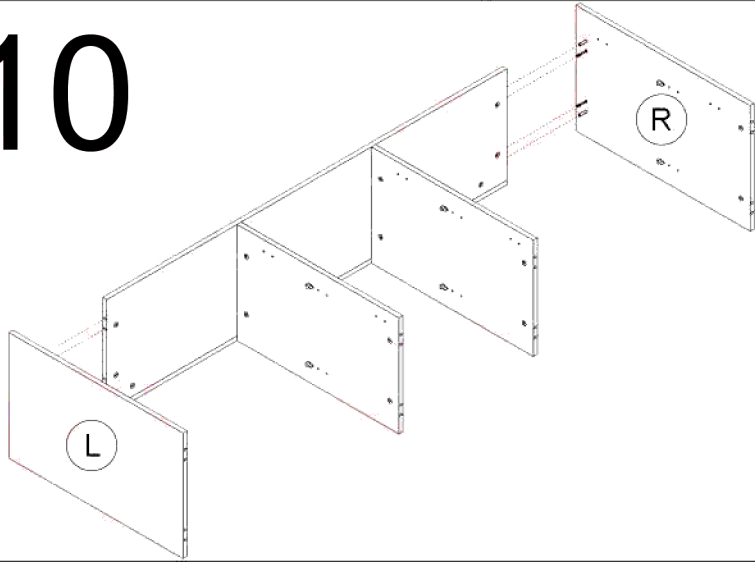
K



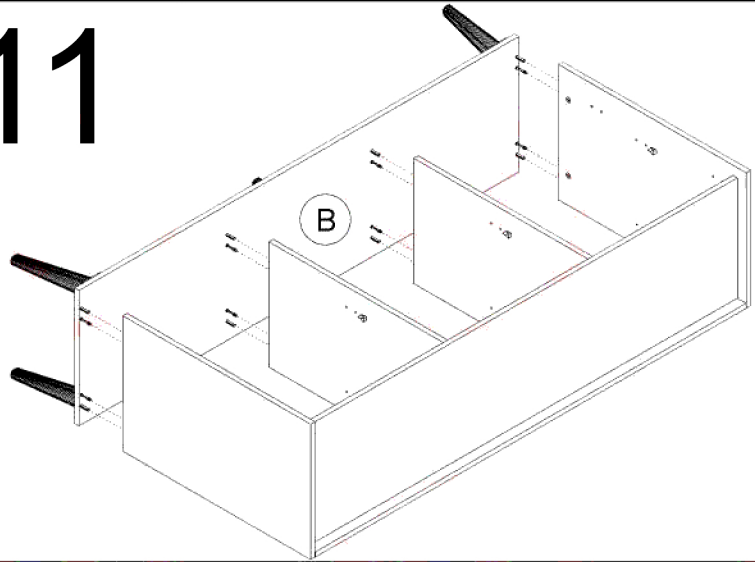
9



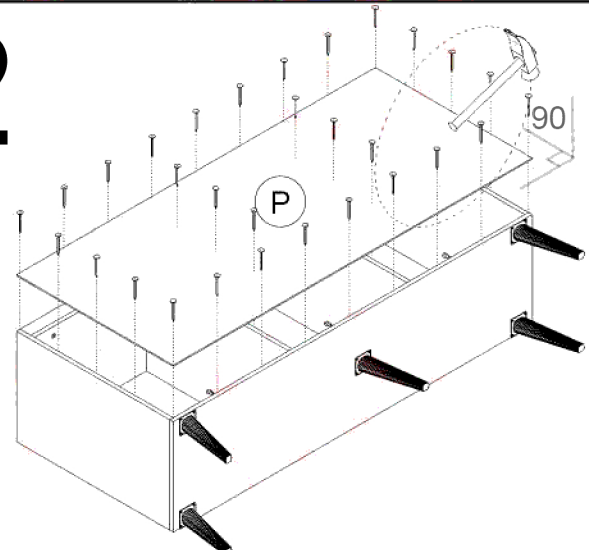
10



11

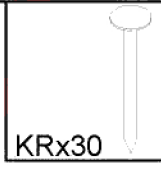
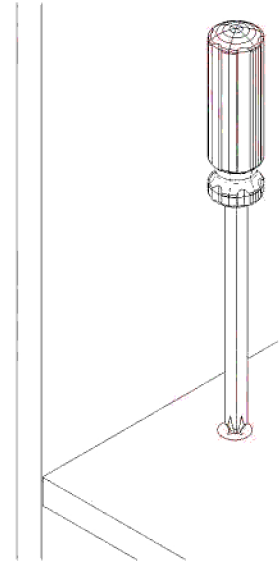


12

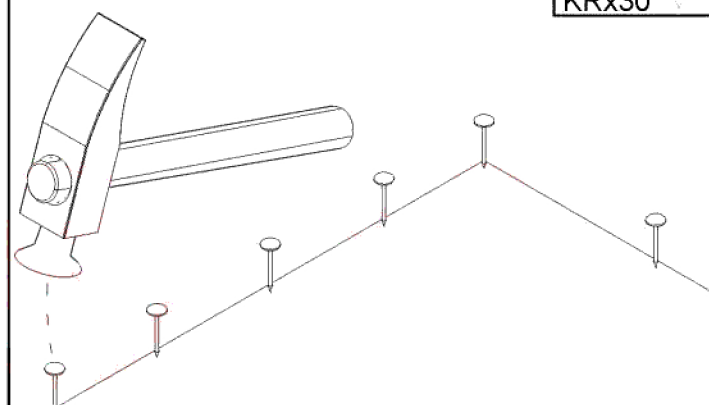


90

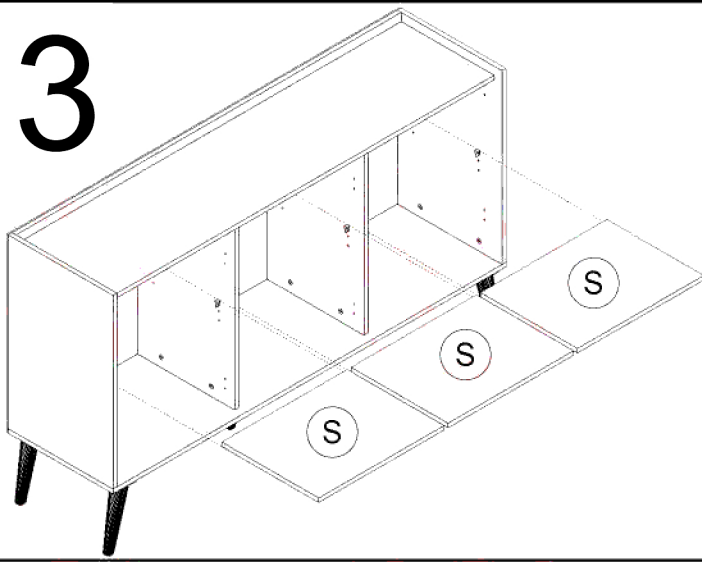
P



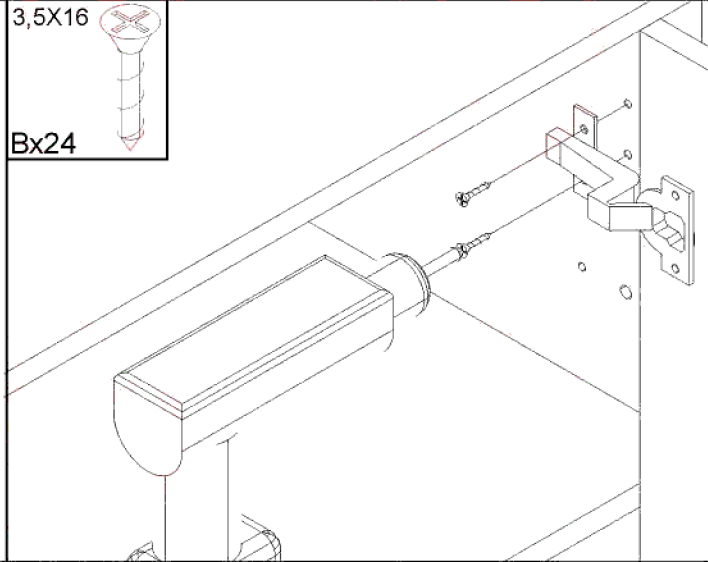
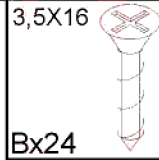
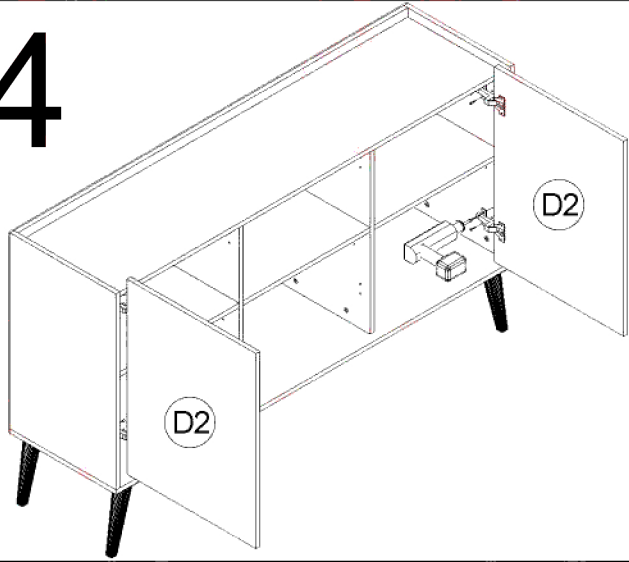
KRx30



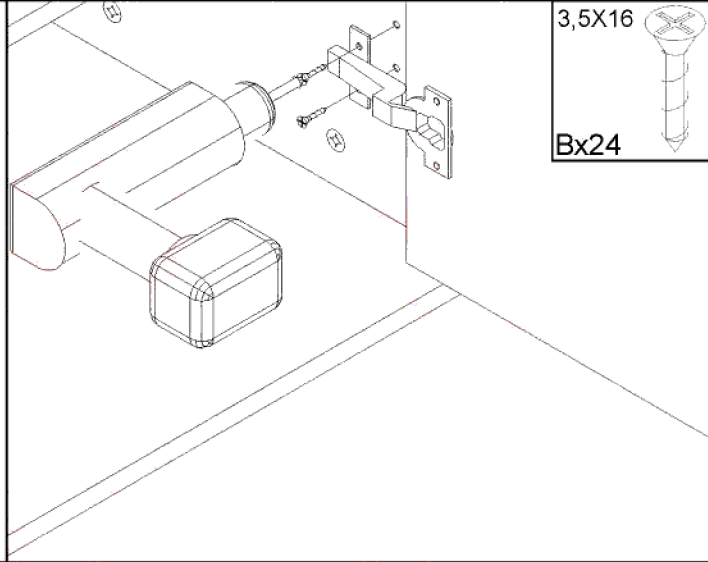
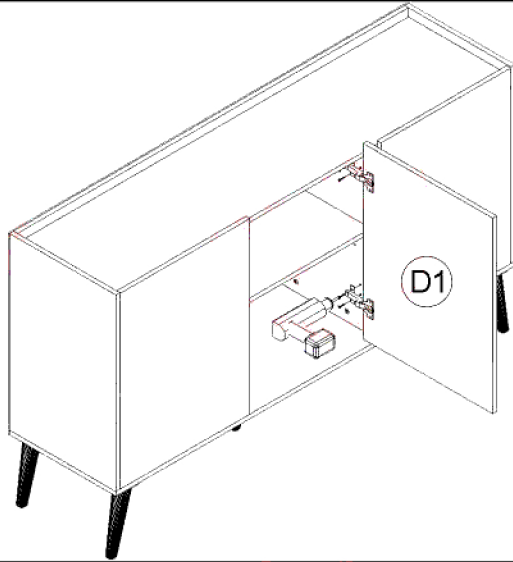
13



14



15



16

PLASTIC COVER CAPS FOR SCREWS

