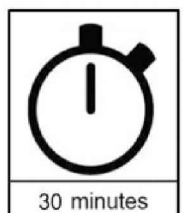
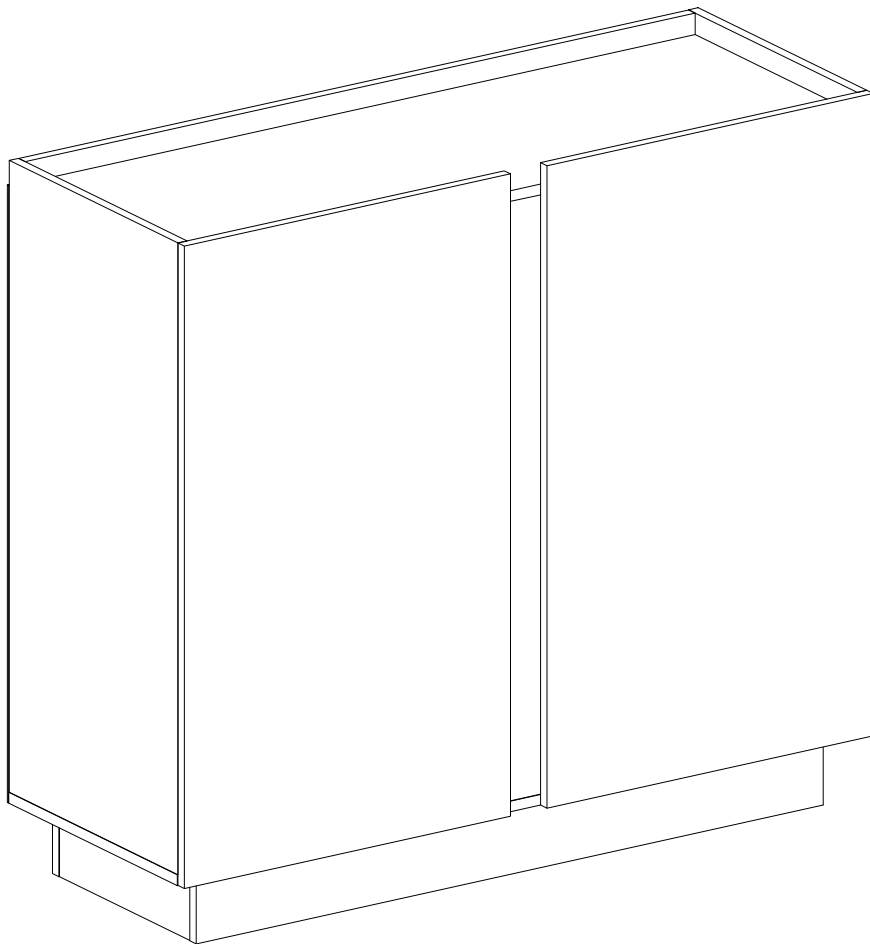
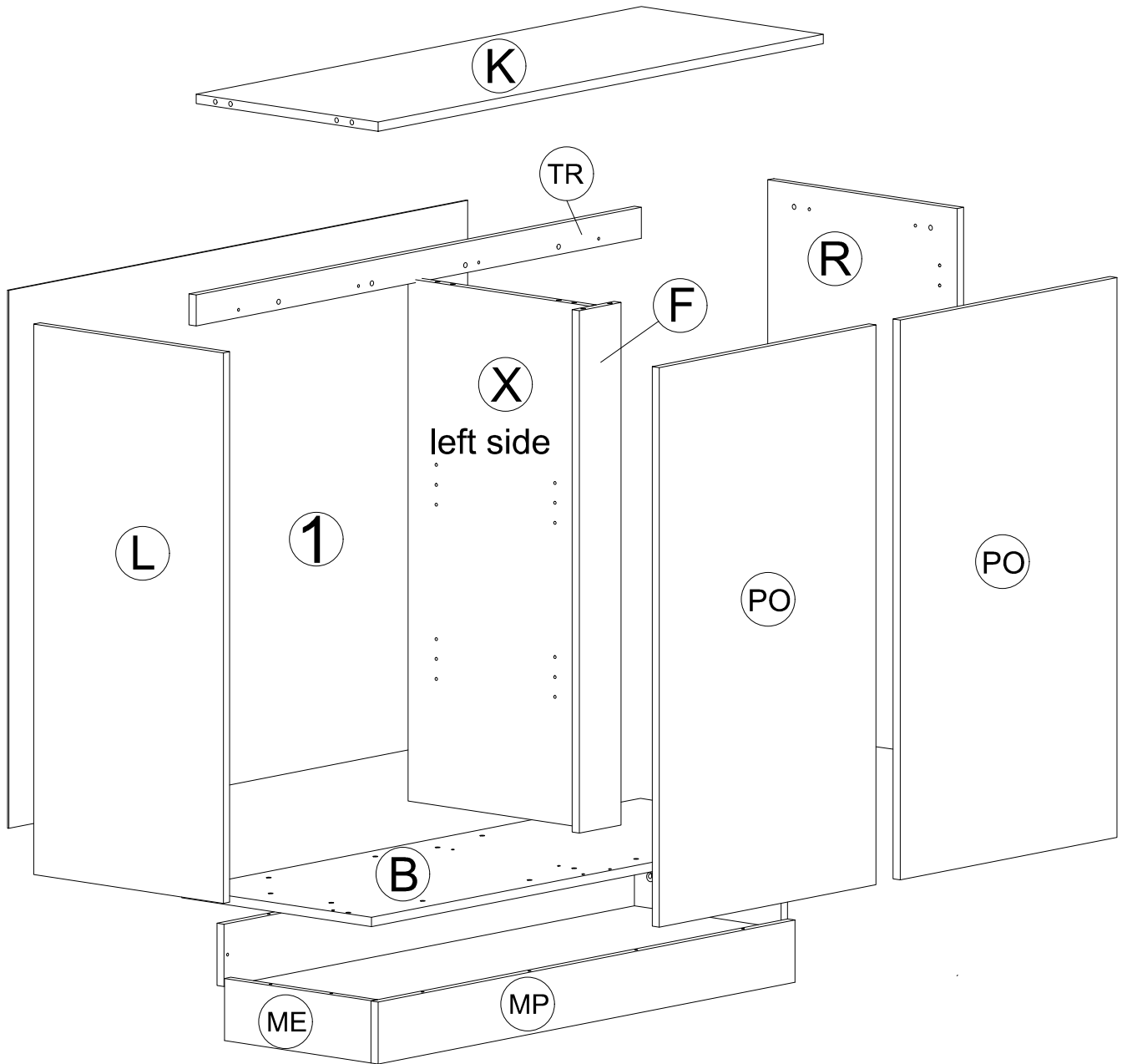
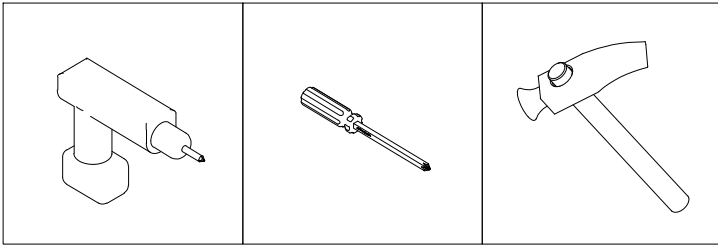
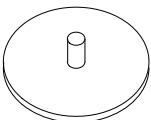
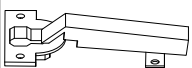



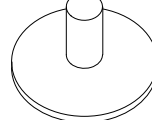
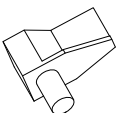

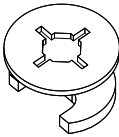
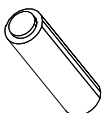




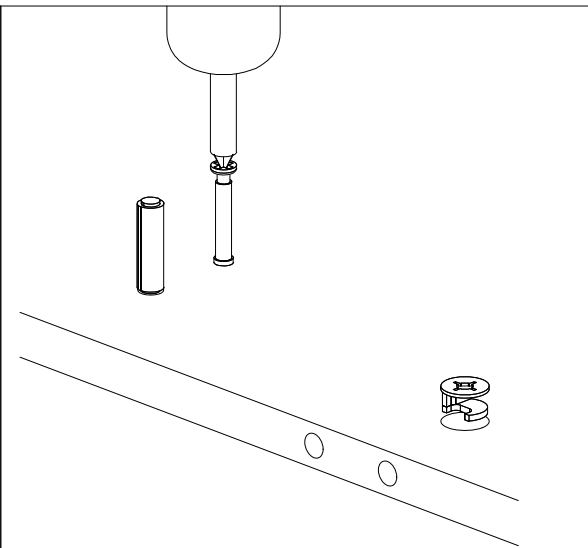
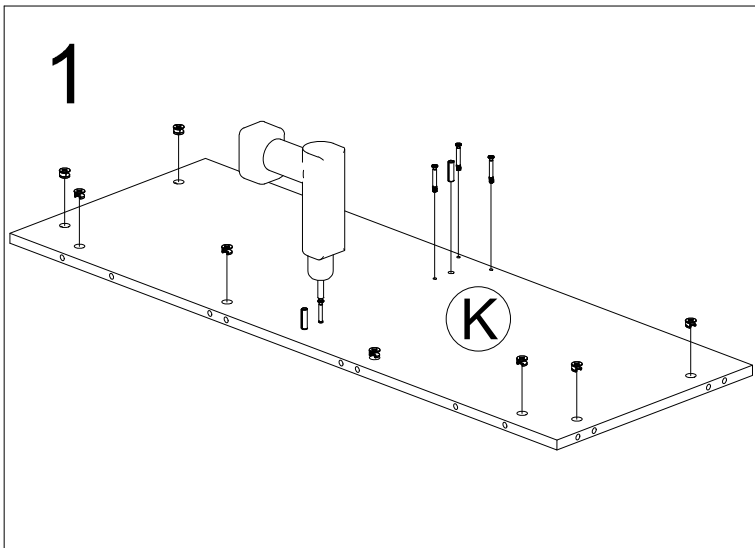
GRK 1015

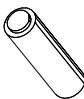
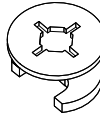



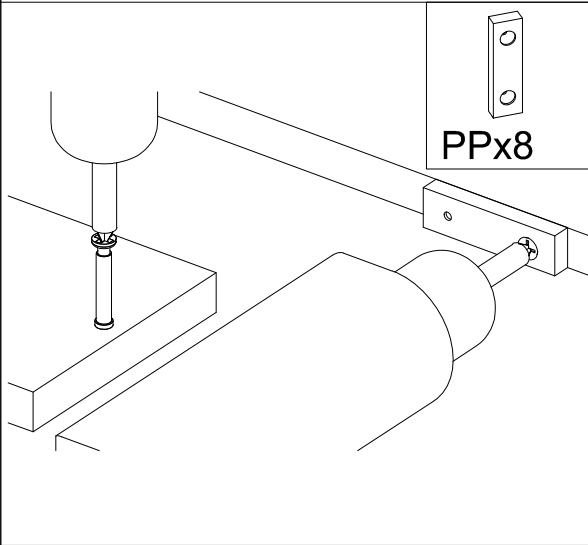
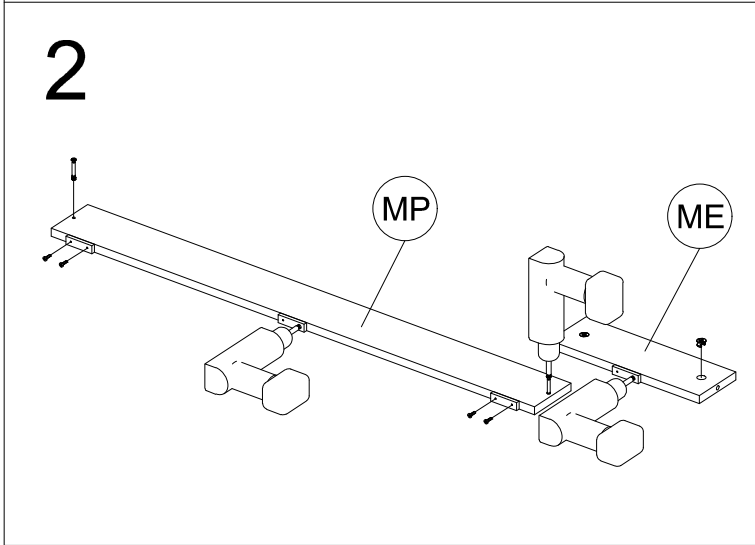
USING TOOLS


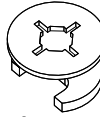




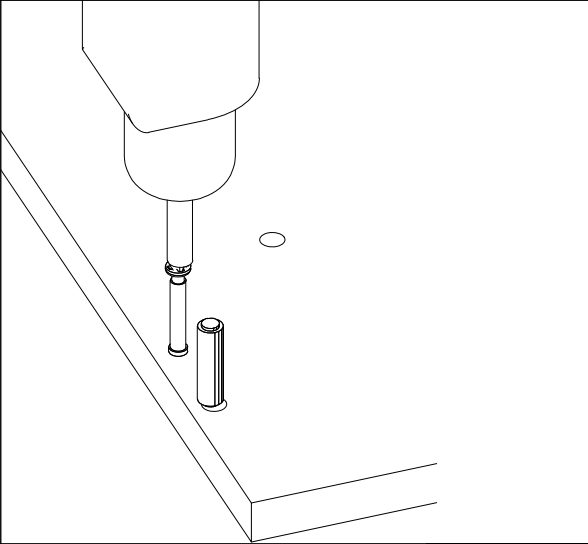
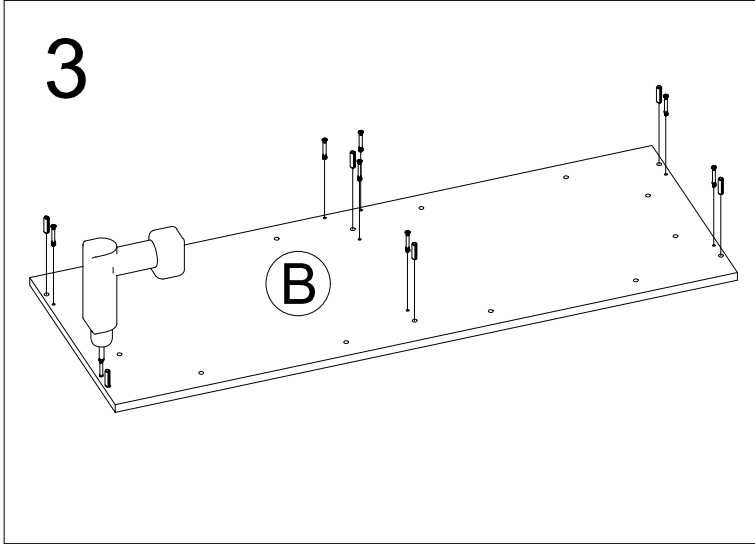
 TX26	 Mx4	 EUx12	 PPx8	 Vx16	 TX12
 TAx16	 PRx40	 Fx26	 Kx16	 Px20	 Vx16

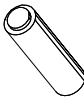



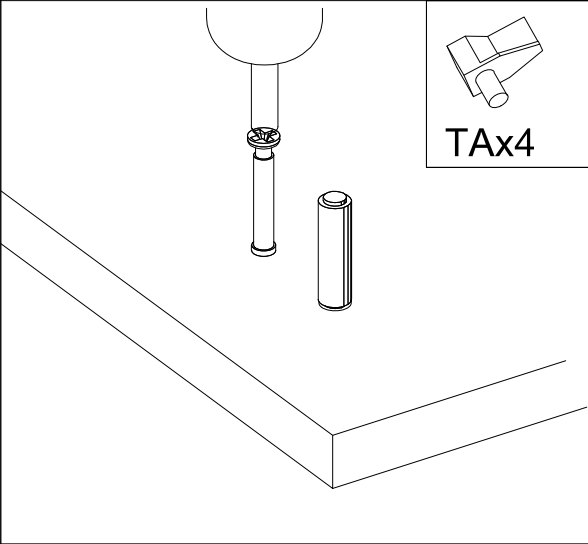
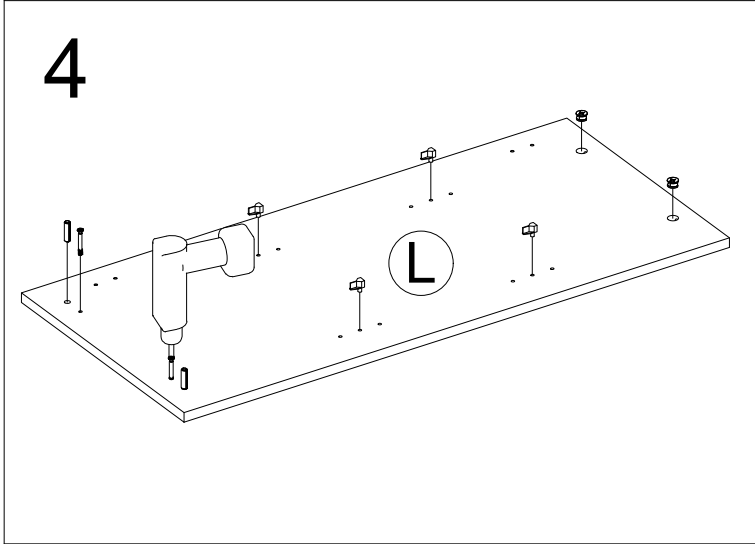
-  Kx2
-  Fx8
-  Px4

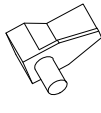
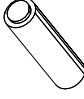
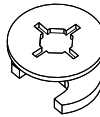



-  PPx8
-  Fx4
-  Px4
-  Vx16

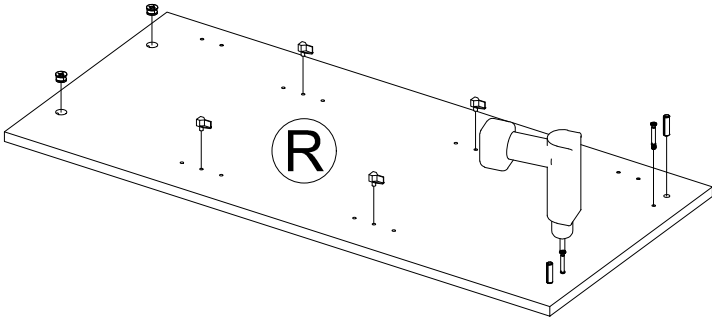


-  Kx6
-  Px8

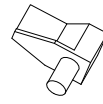


-  TAx4
-  Kx2
-  Fx2
-  Px2

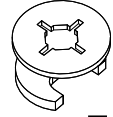
5



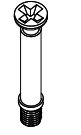
Kx2



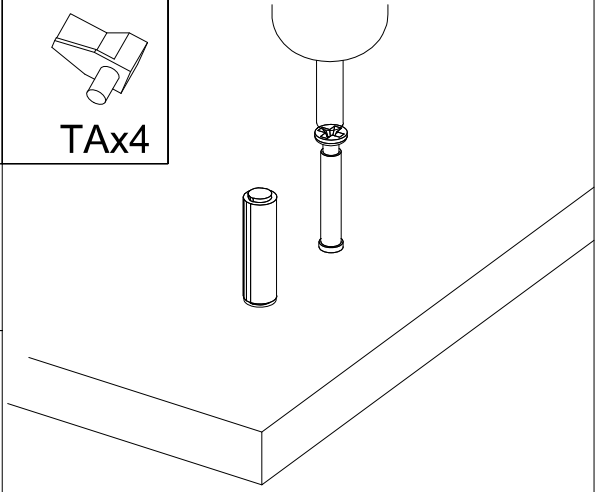
TAx4



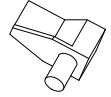
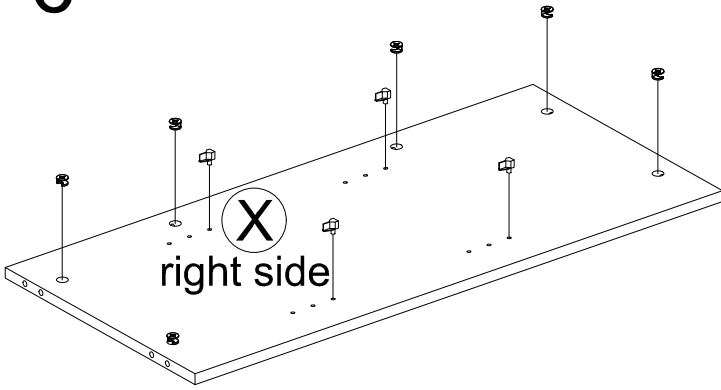
Fx2



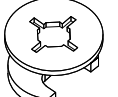
Px2



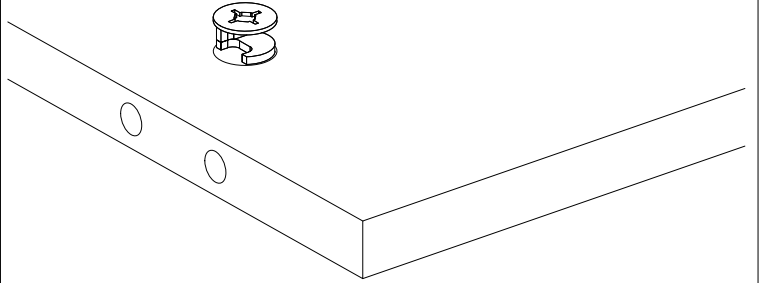
6



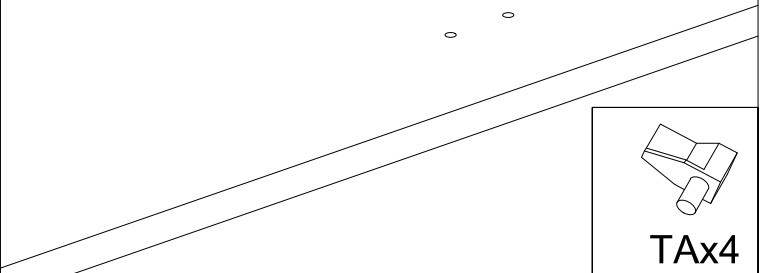
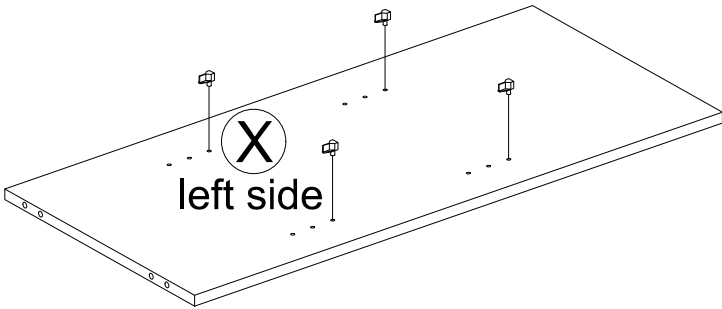
TAx4



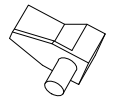
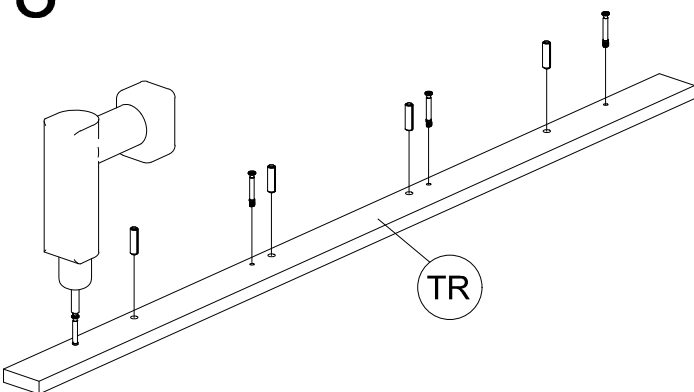
Fx6



7



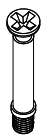
8



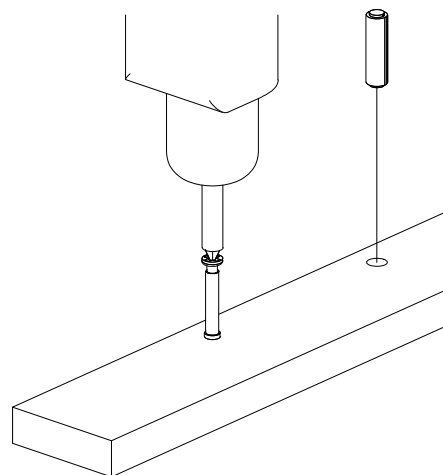
TAx4



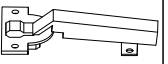
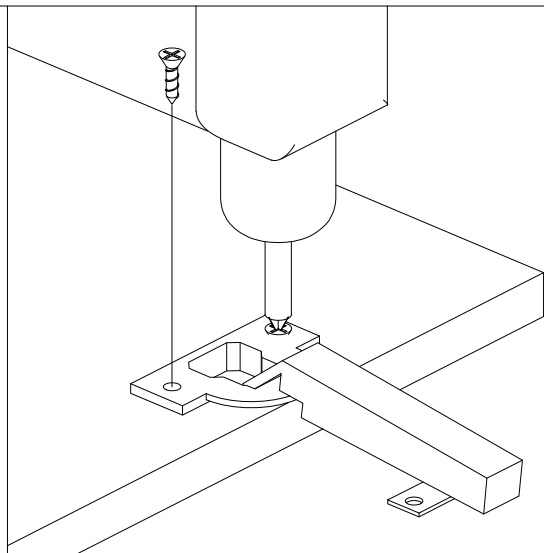
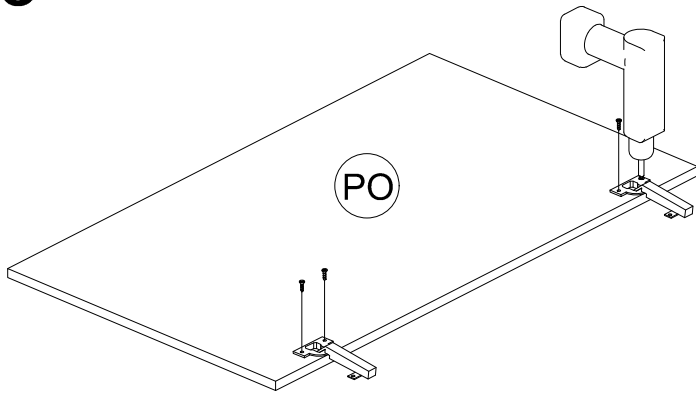
Kx4



Px4



9



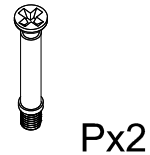
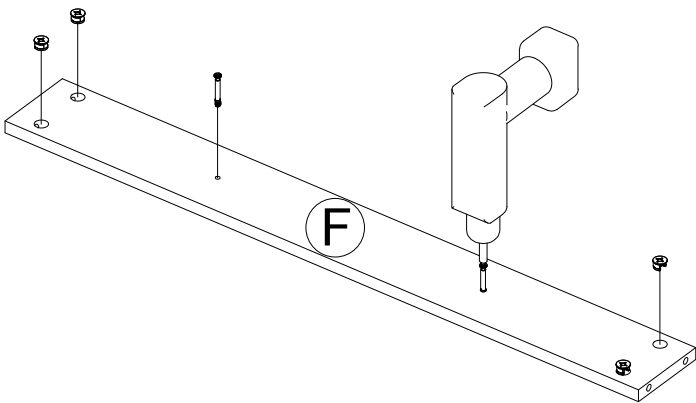
Mx4

3.5x16

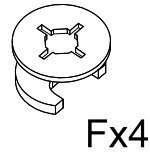


Vx8

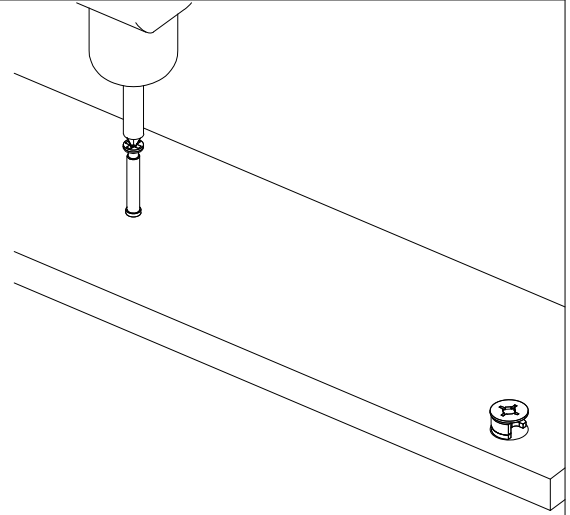
10



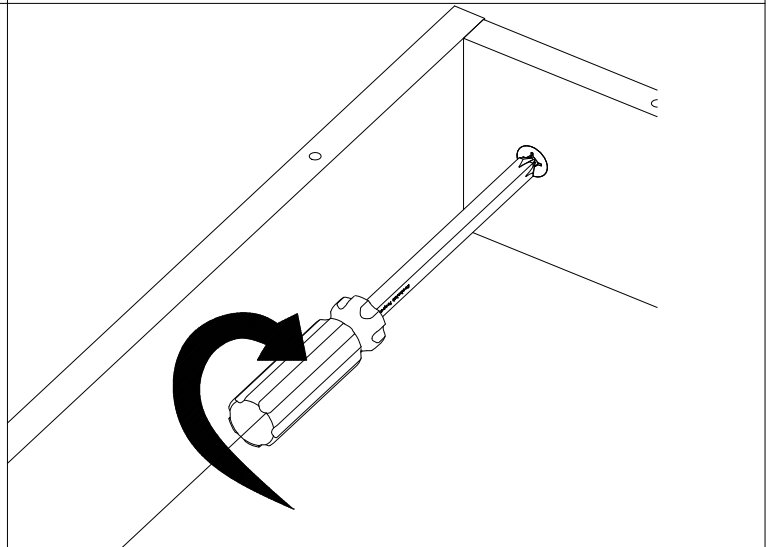
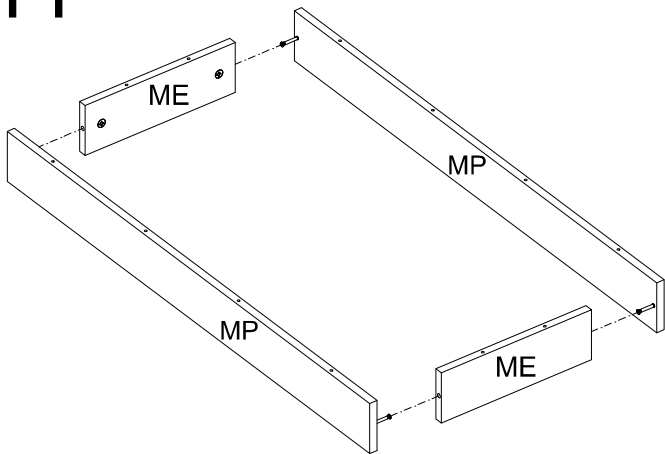
Px2



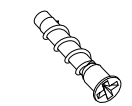
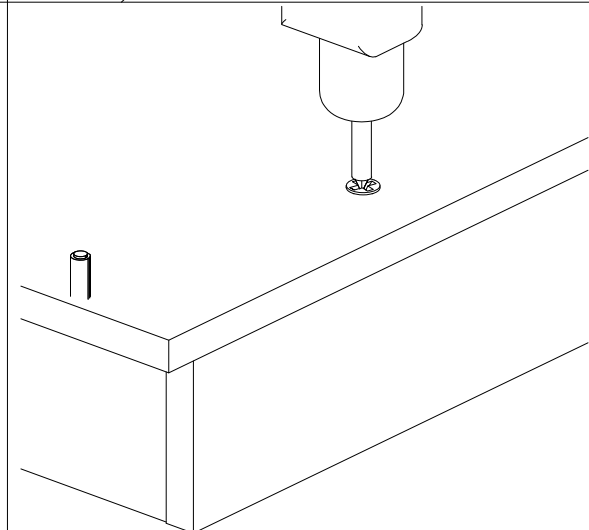
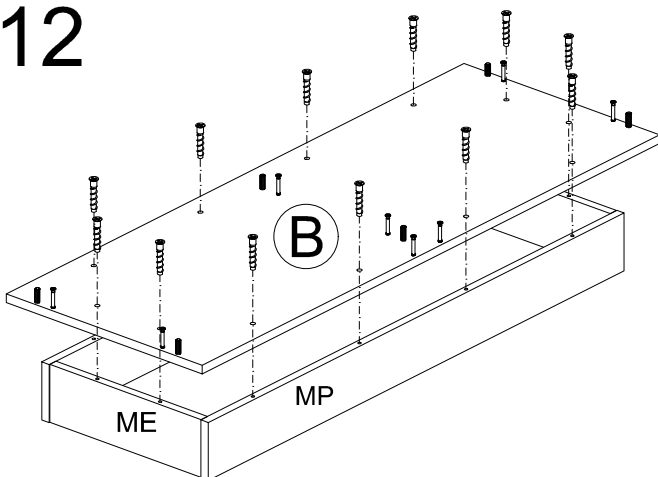
Fx4



11

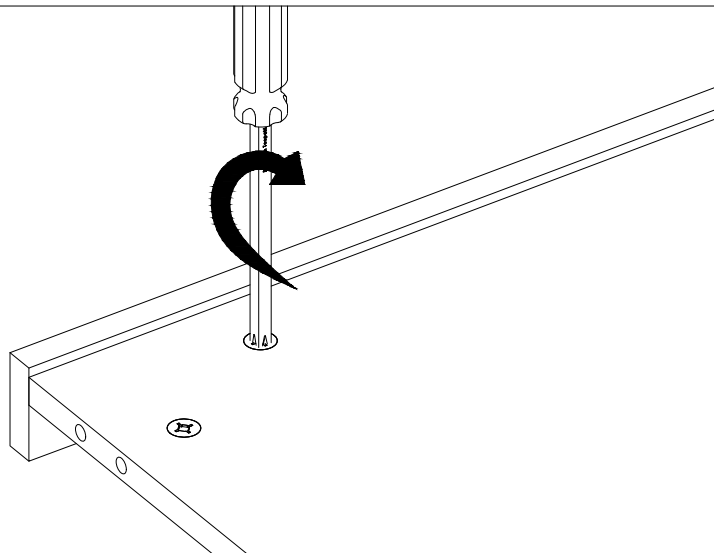
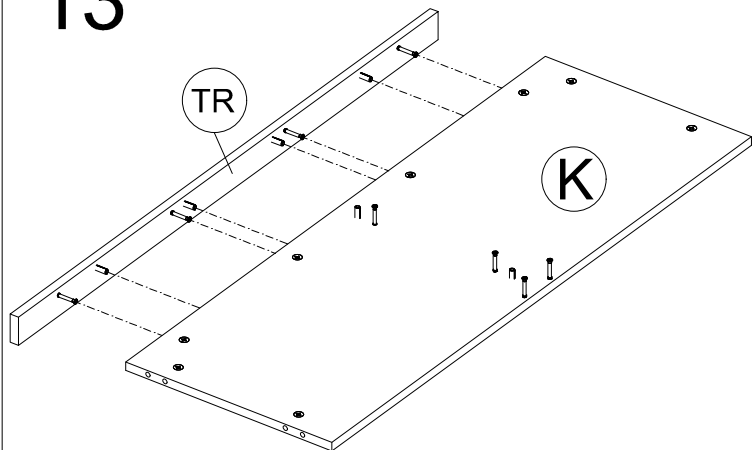


12

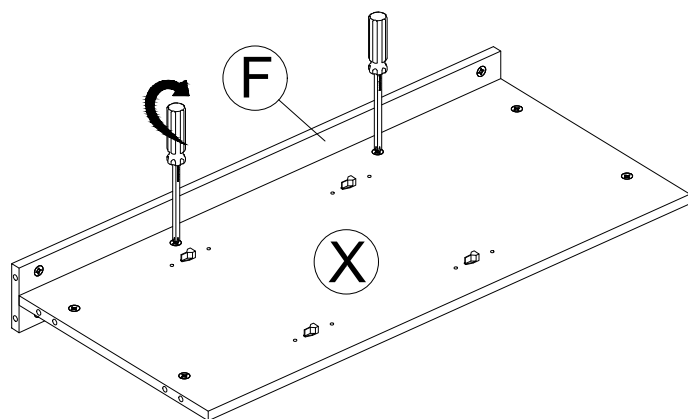
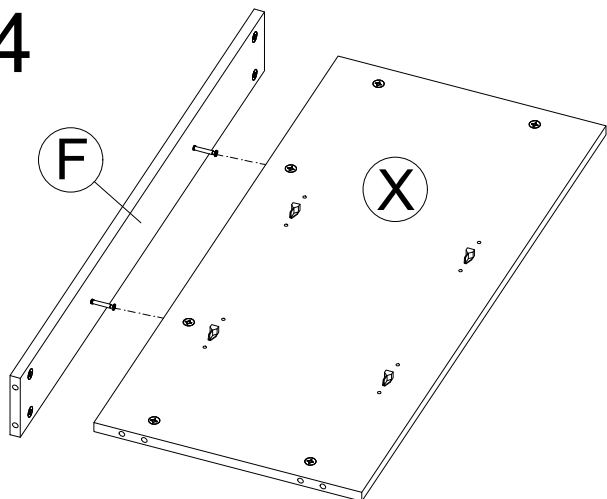


EUx12

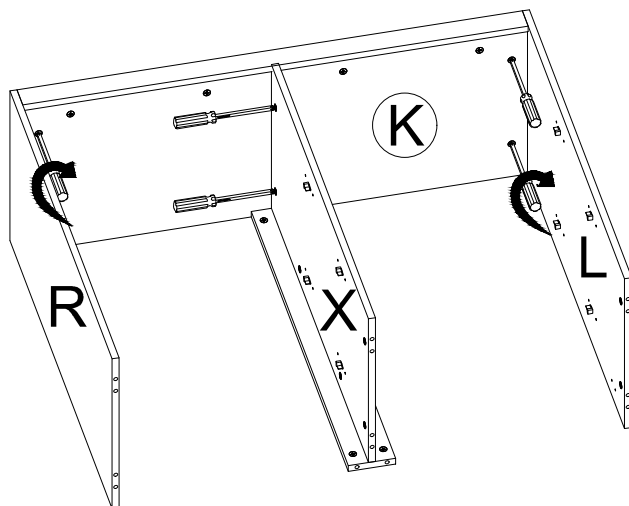
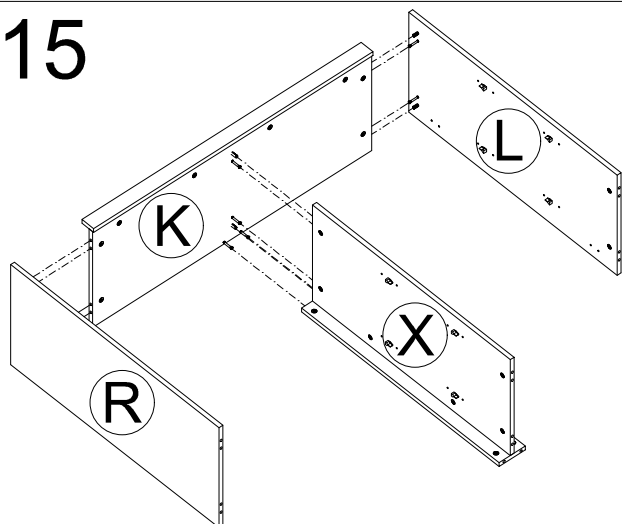
13



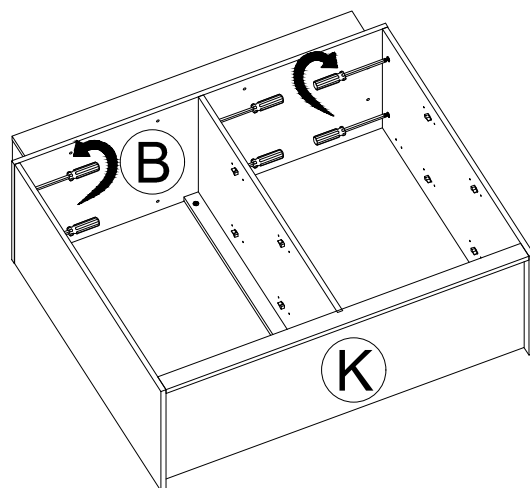
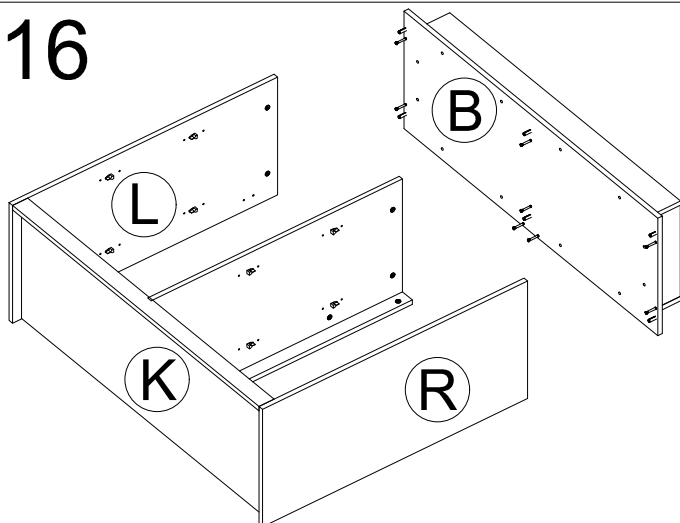
14



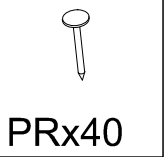
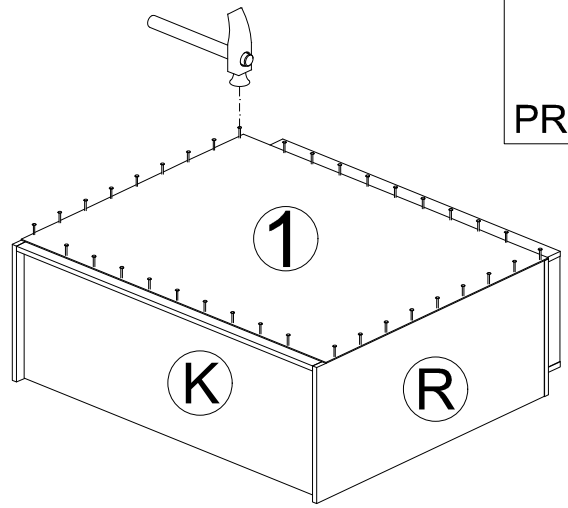
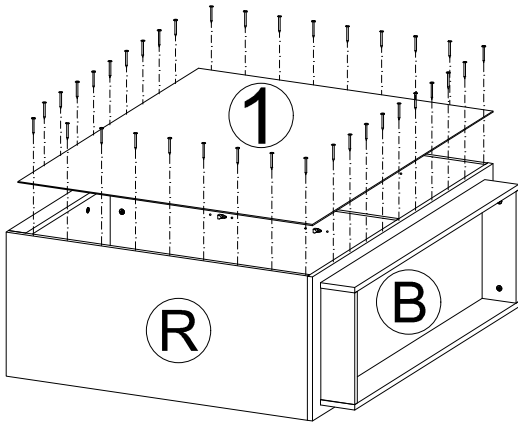
15



16

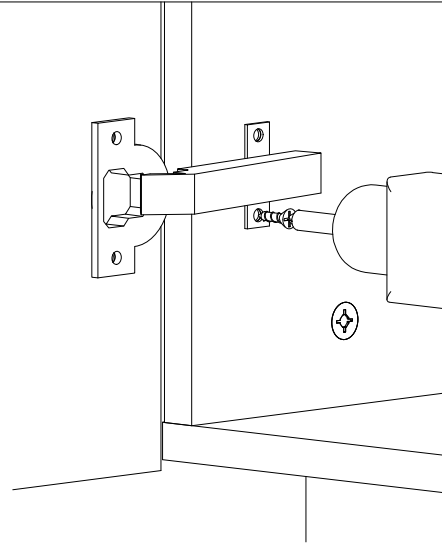
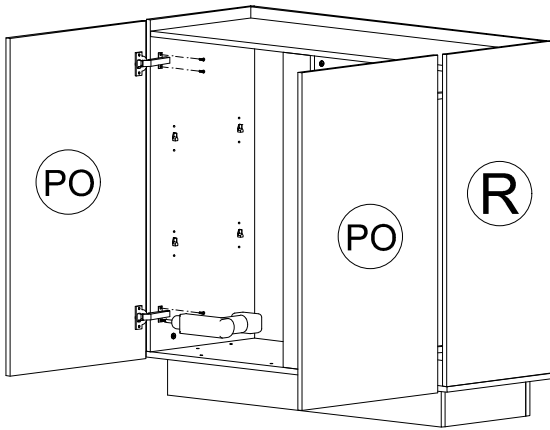


17



PRx40

18

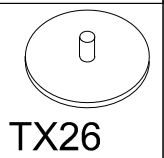
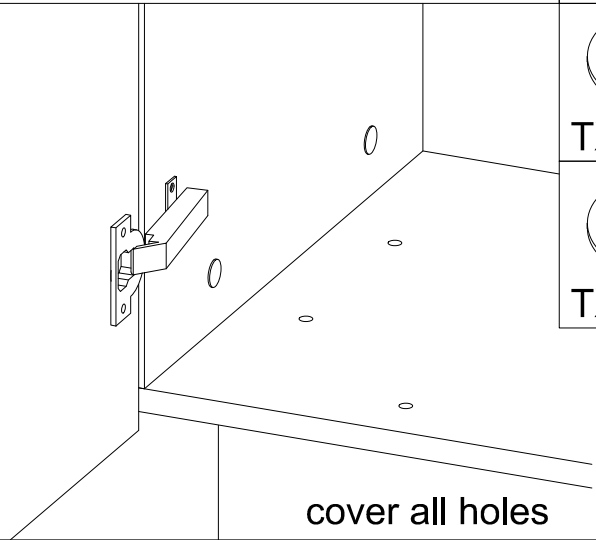
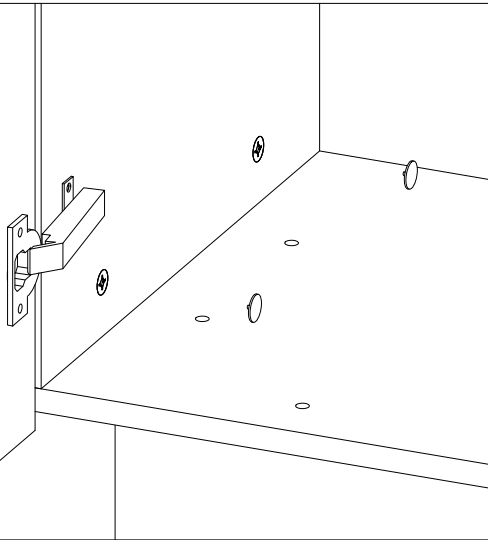


3.5x16

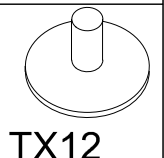


Vx8

19



TX26



TX12

cover all holes

