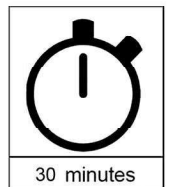
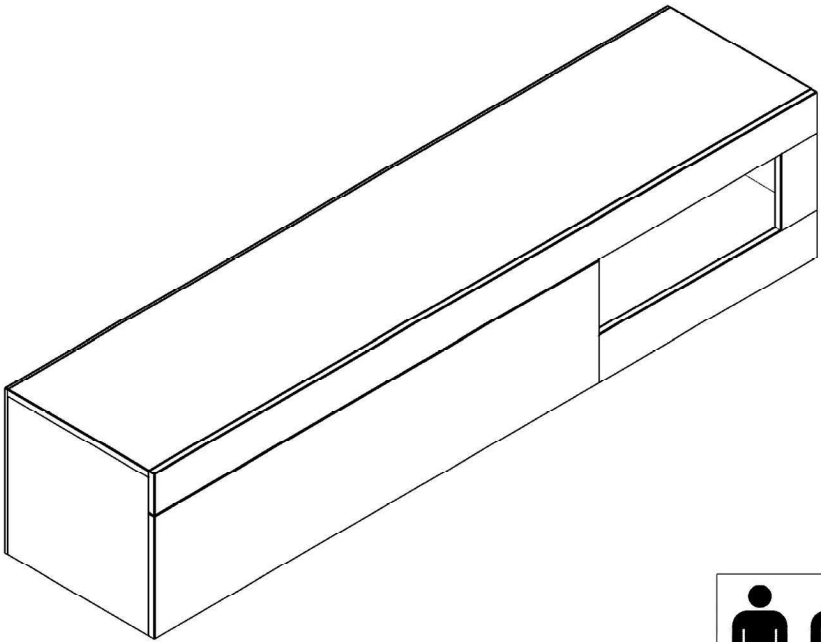
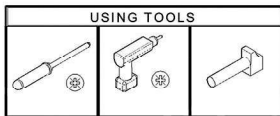
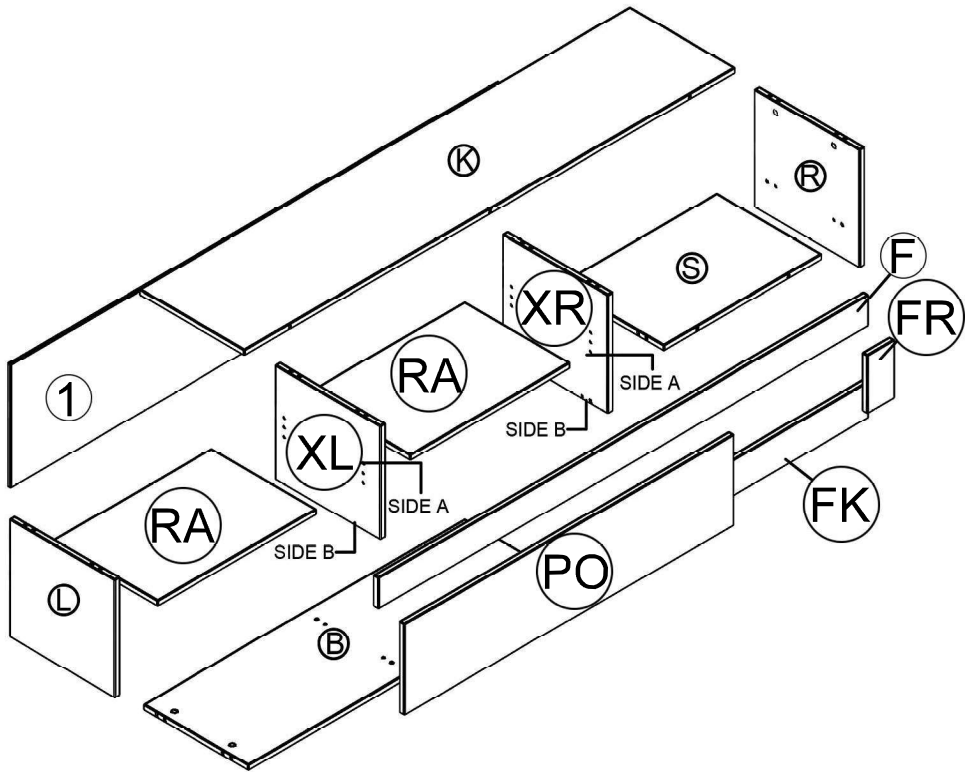




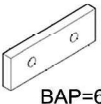


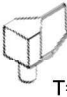


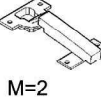

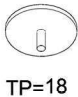



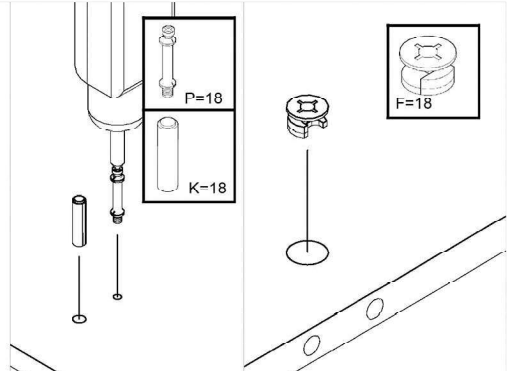
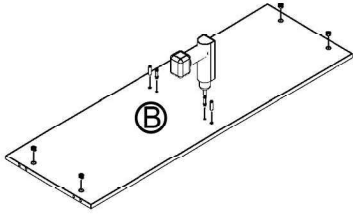
# GRK 13 A



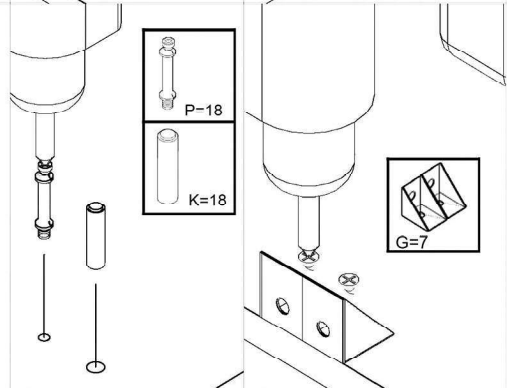
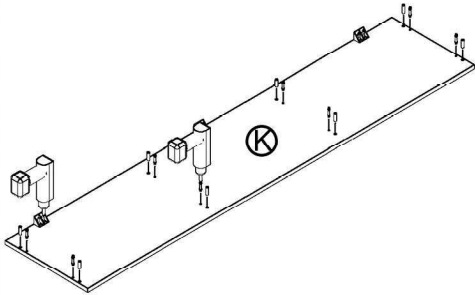


 P=18	 K=18	 F=18	 G=7	 BAP=6	 NKB=1	 NKD=1
 T=8	 3.5*16 B1=41	 K2=20	 M=2	 4.0*20 B=12	 TP=18	 NKC=1

# 1

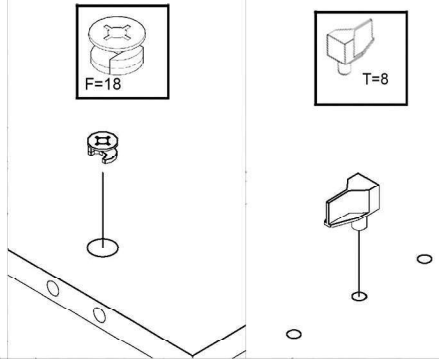
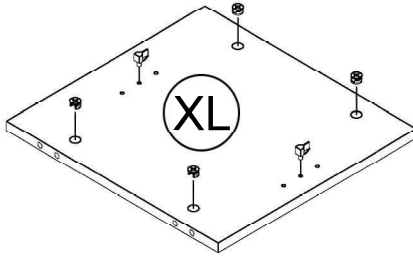


# 2



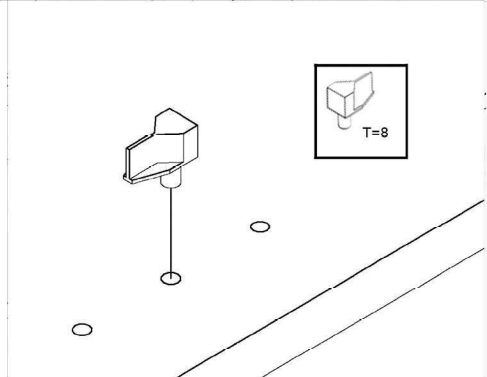
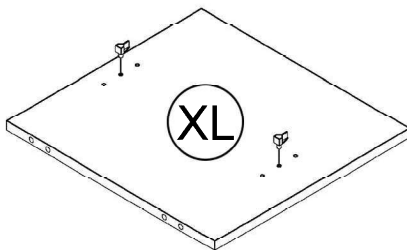
SIDE A

# 3

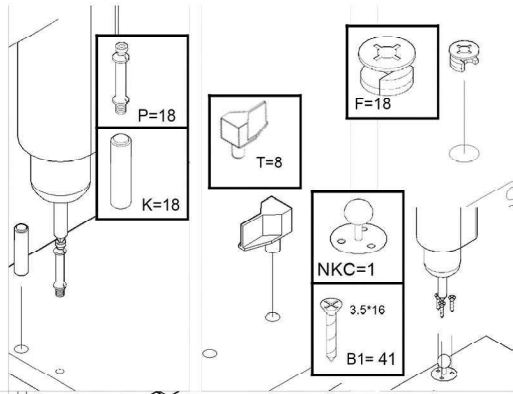
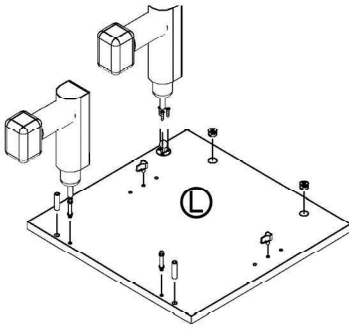


SIDE B

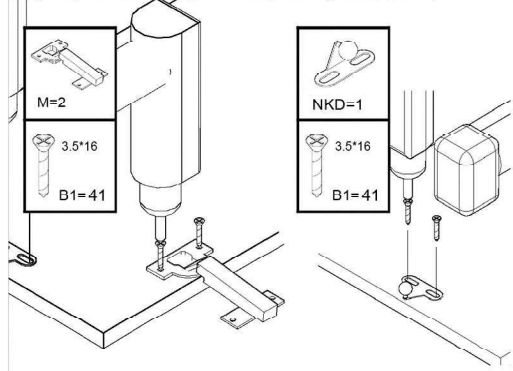
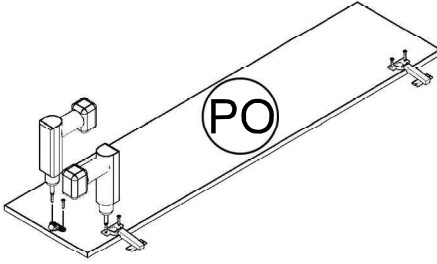
# 4



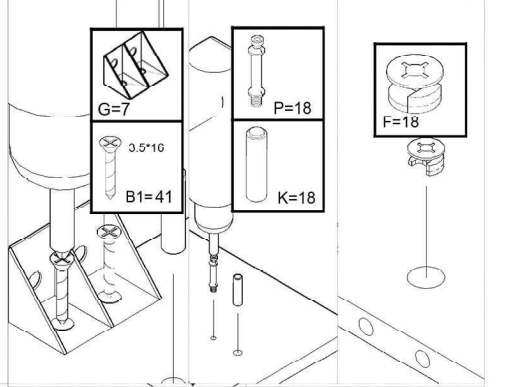
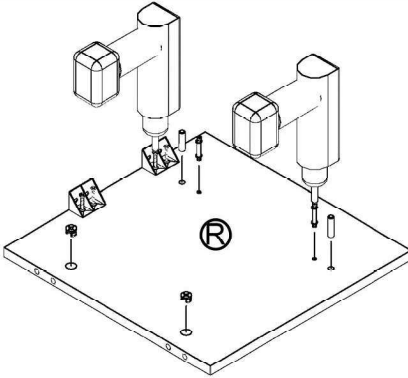
5



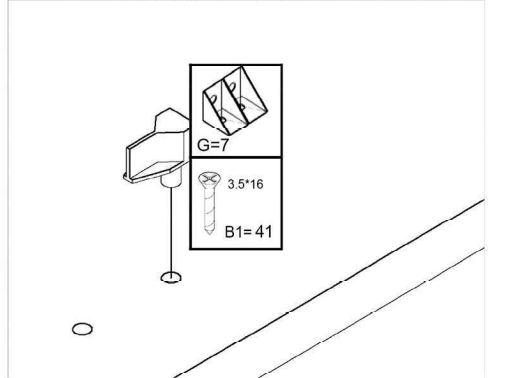
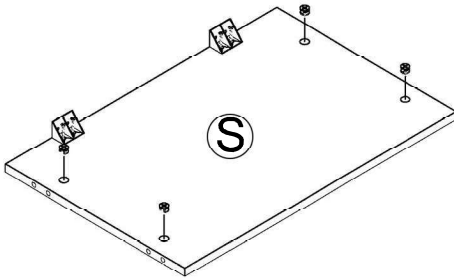
6



7

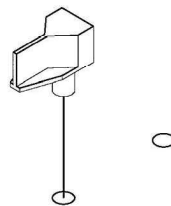
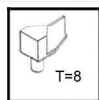
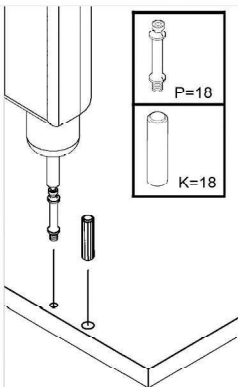
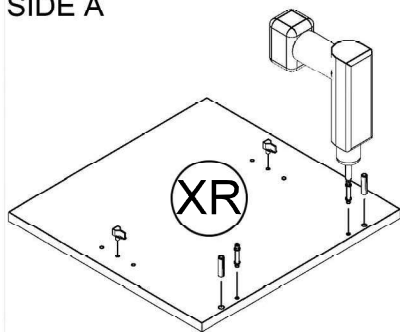


8



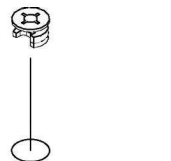
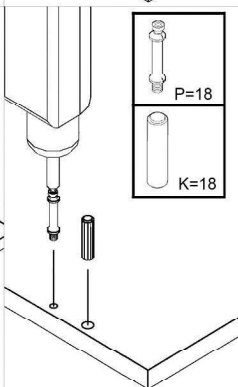
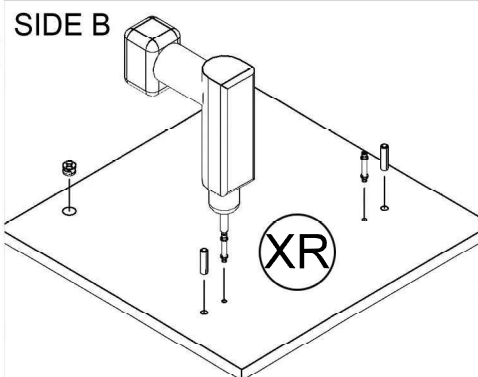
# 9

SIDE A

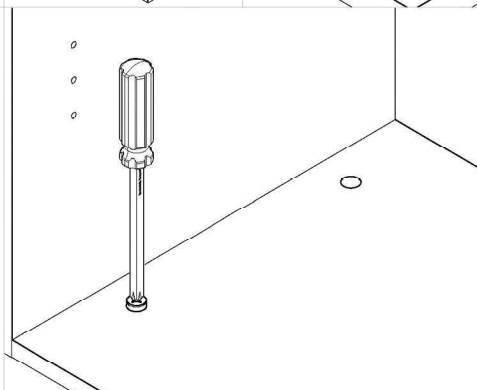
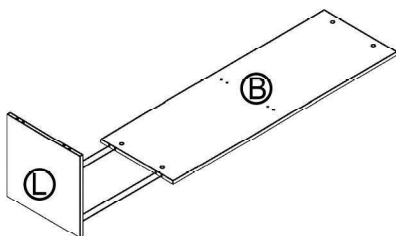


# 10

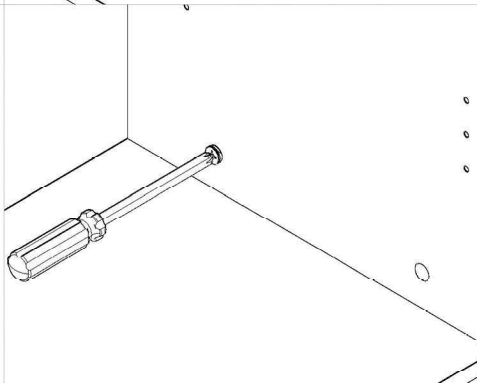
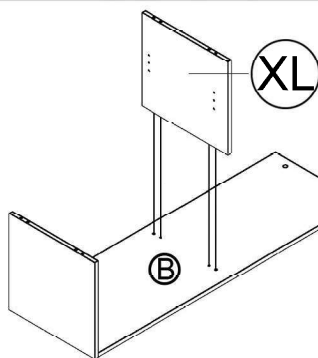
SIDE B



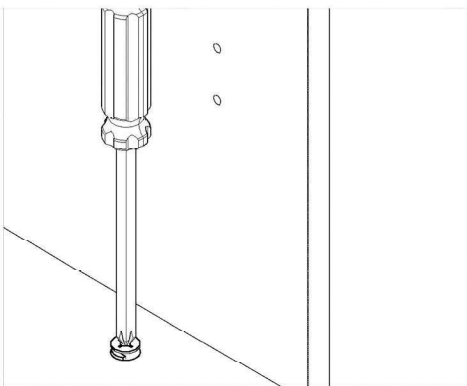
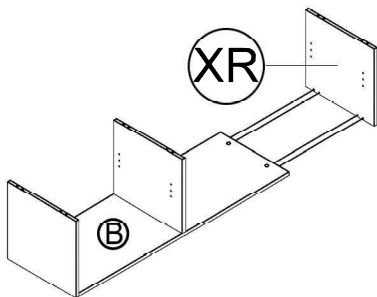
# 11



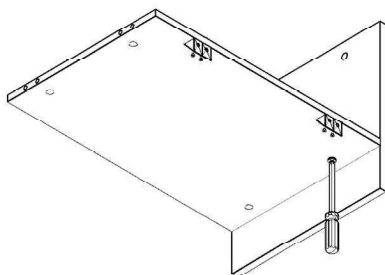
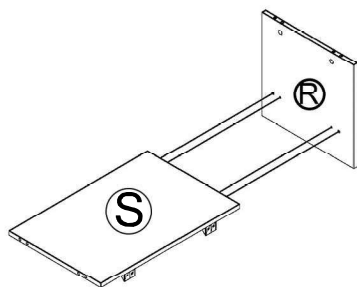
# 12



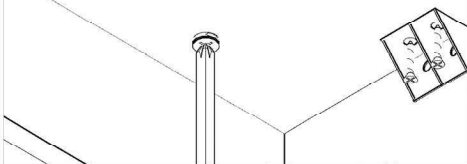
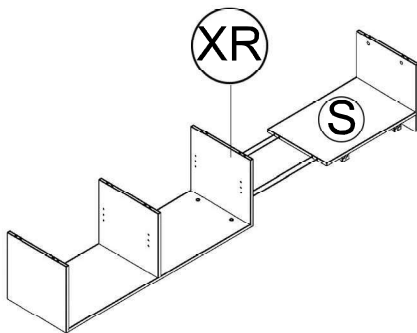
# 13



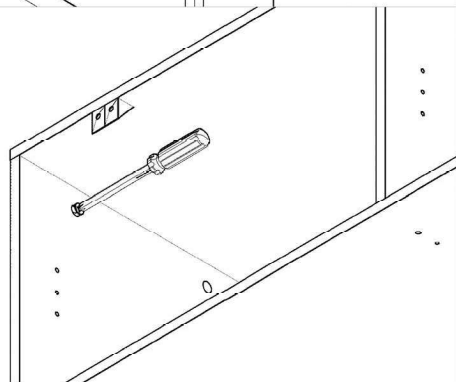
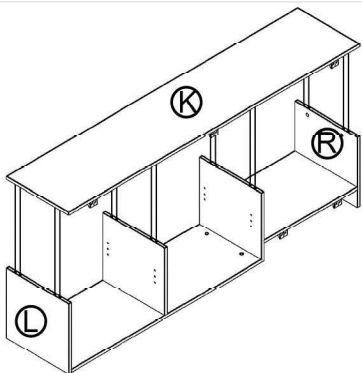
# 14



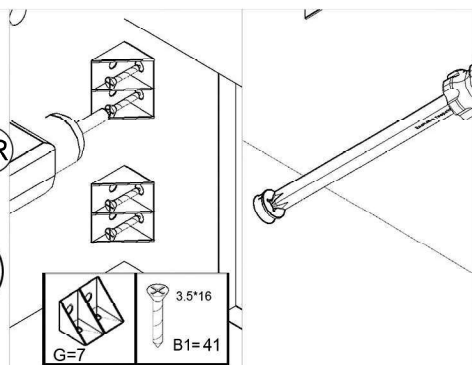
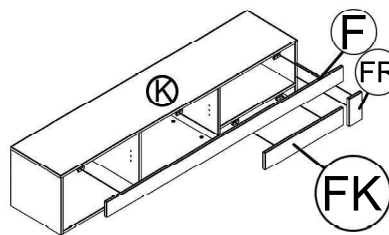
# 15



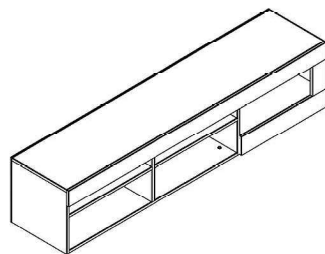
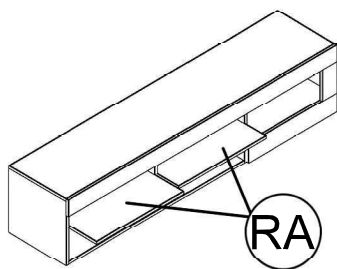
# 16



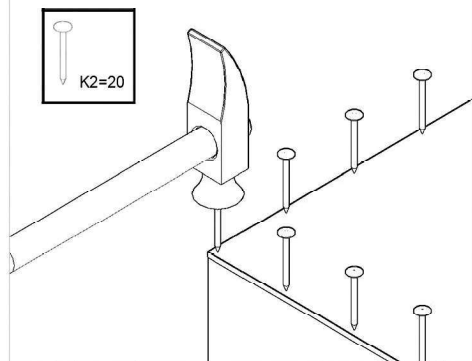
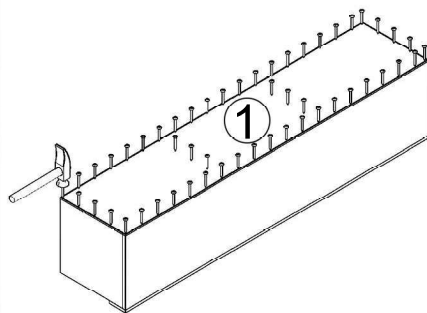
# 17



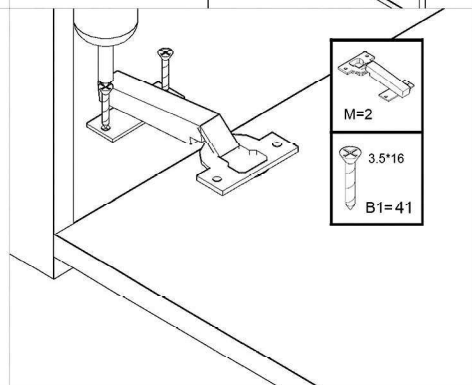
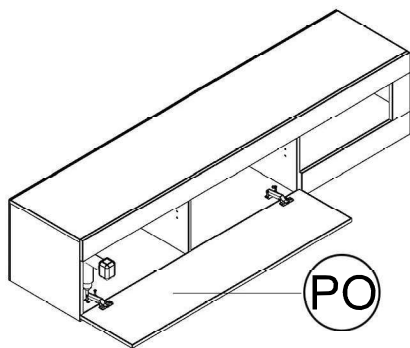
# 18



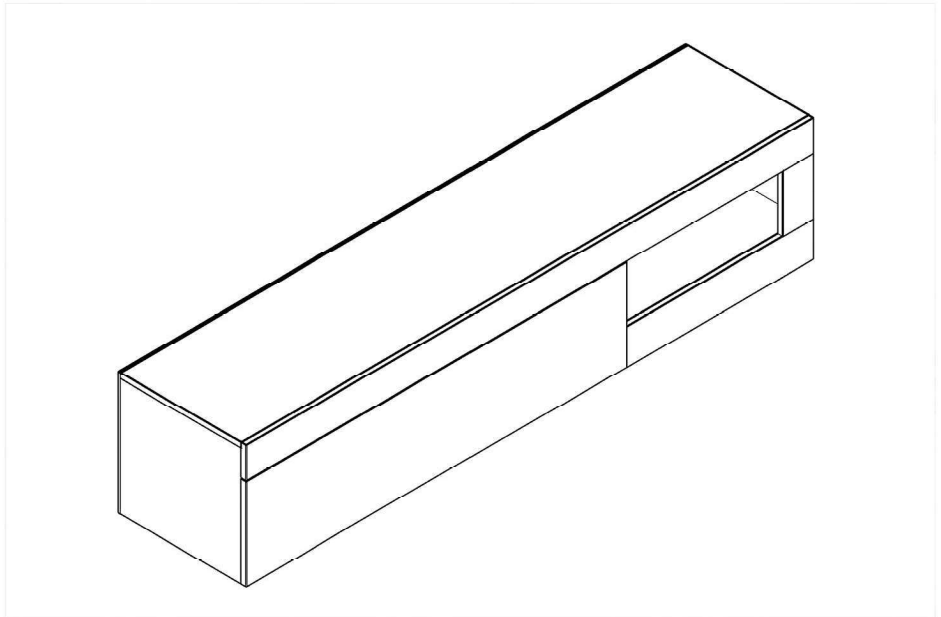
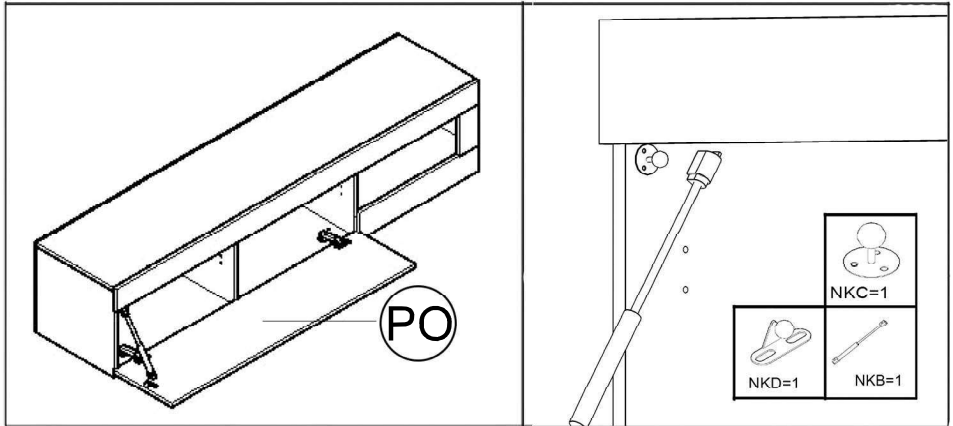
# 19



# 20

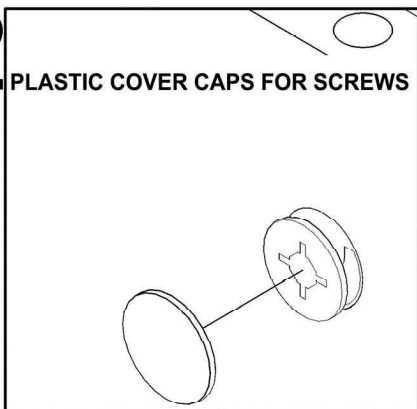


# 21

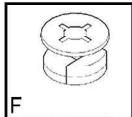




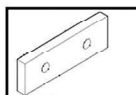
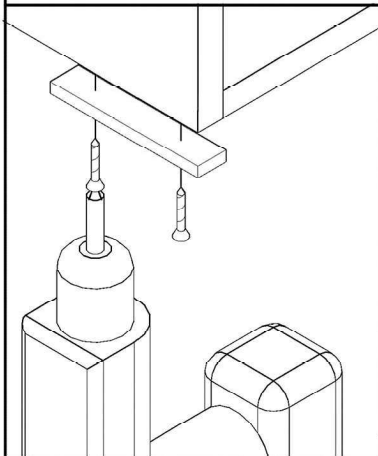
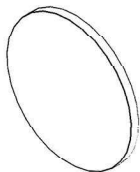
## PLASTIC COVER CAPS FOR SCREWS



TP



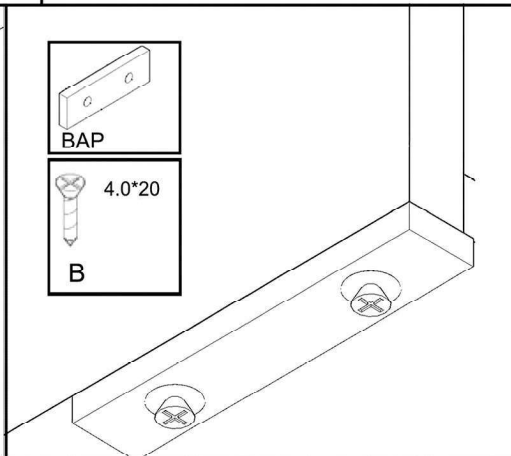
F



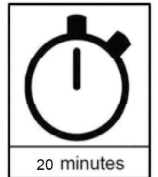
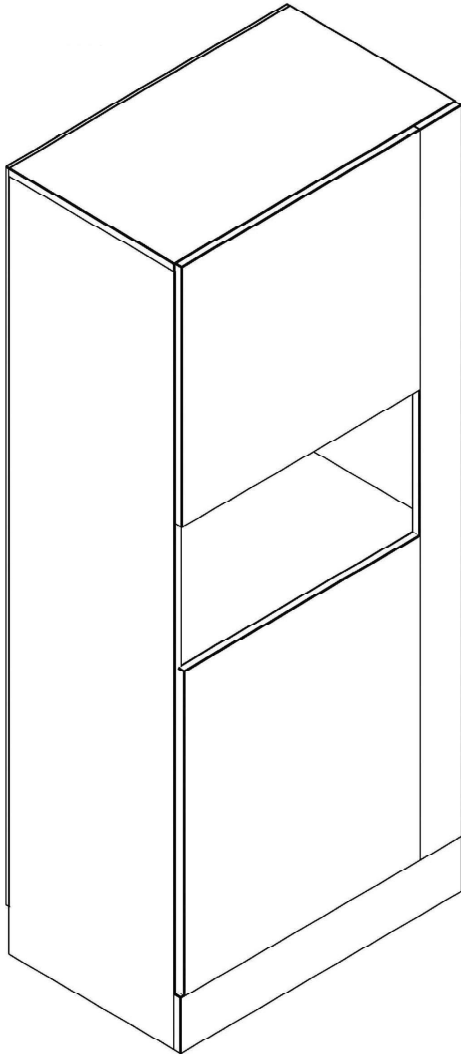
BAP

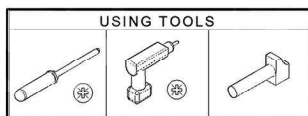
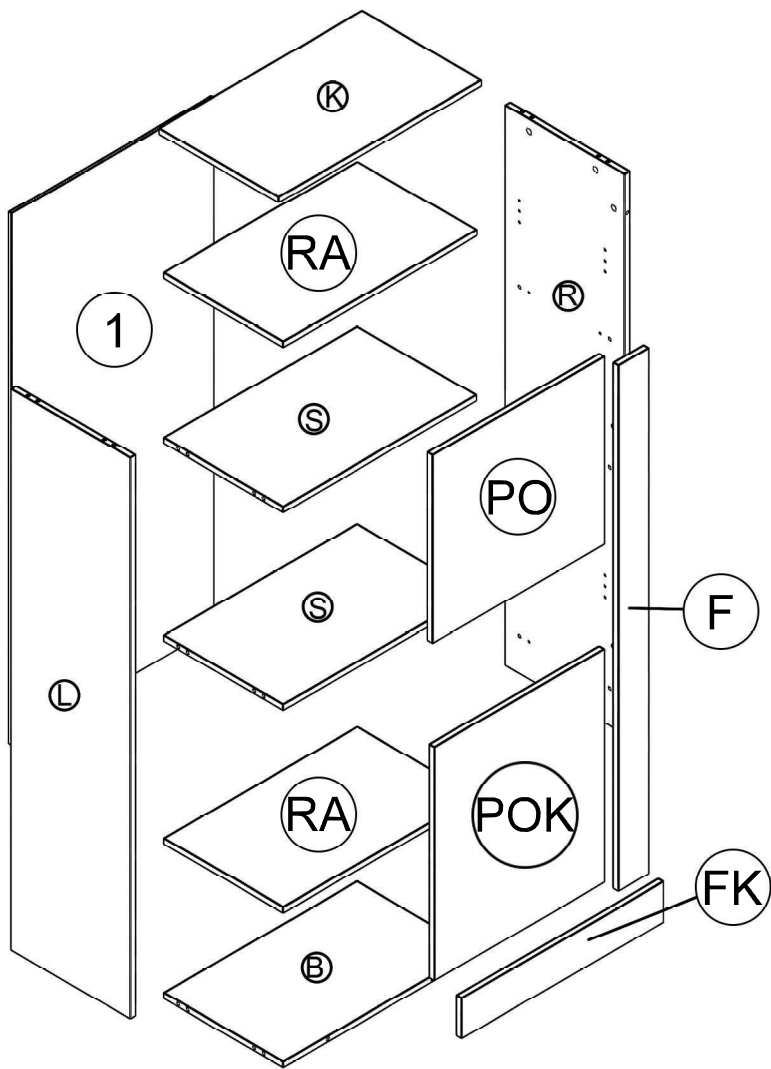






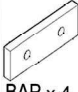



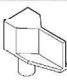


B



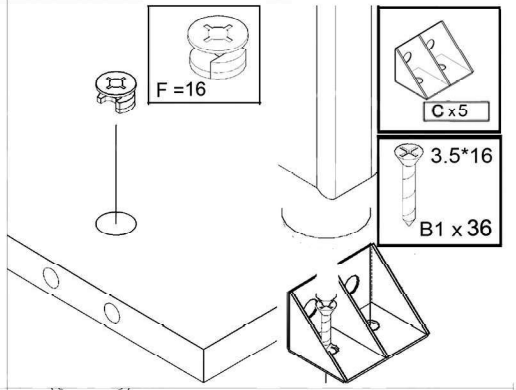
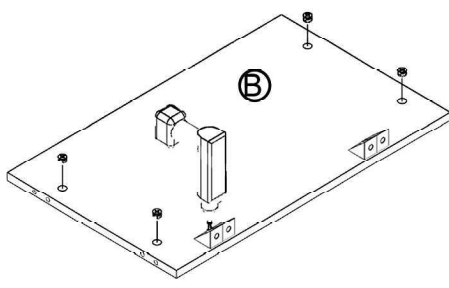
# GRK 13 B



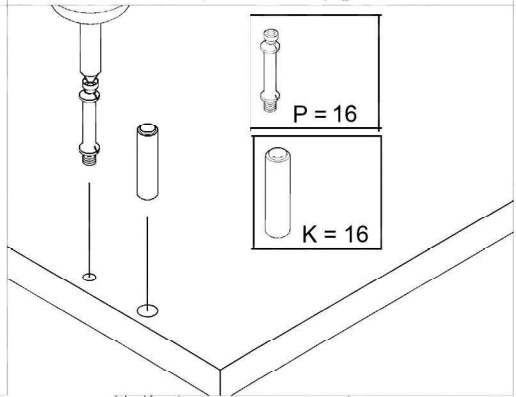
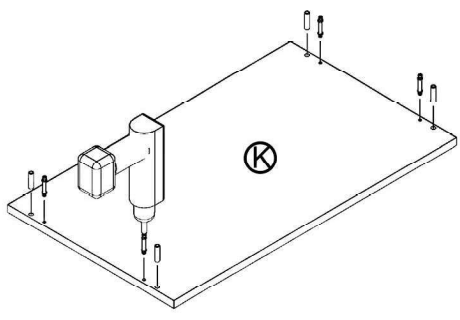


 P = 16	 K = 16	 F = 16	 TP x 16	 BAP x 4	
 M = 4	 3.5*16 B1 = 36	 K2 = 30	 T = 8	 4.0*20 B x 8	 G = 5

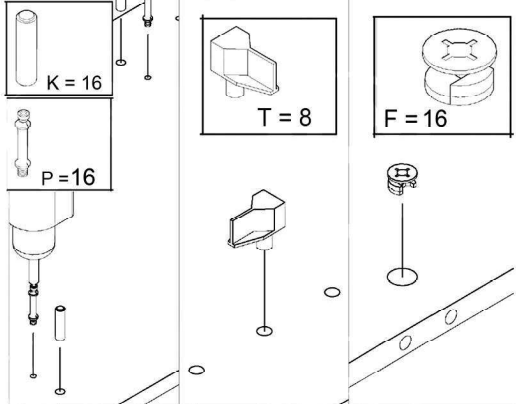
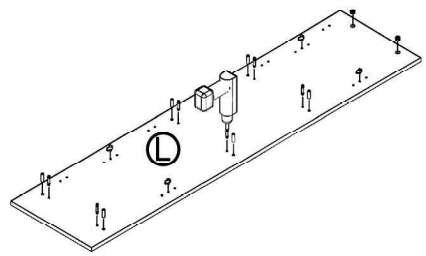
1



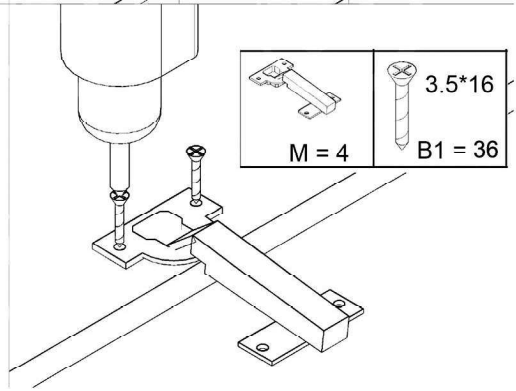
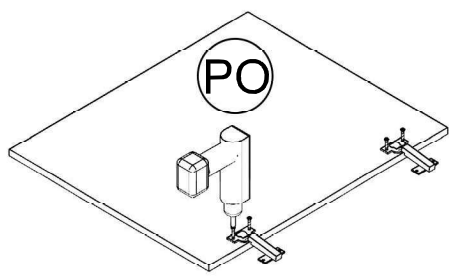
2



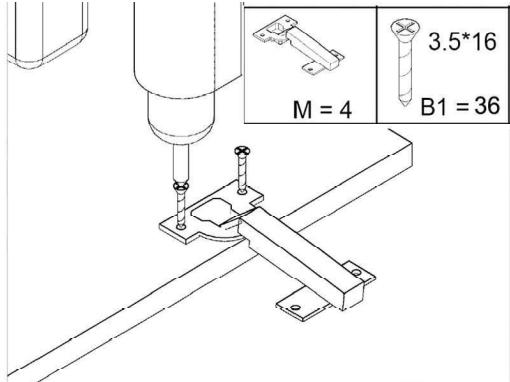
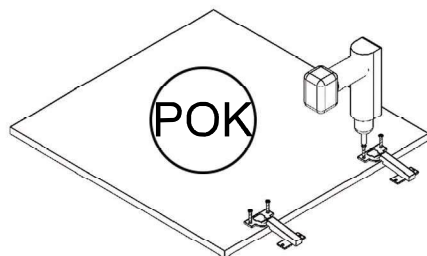
3



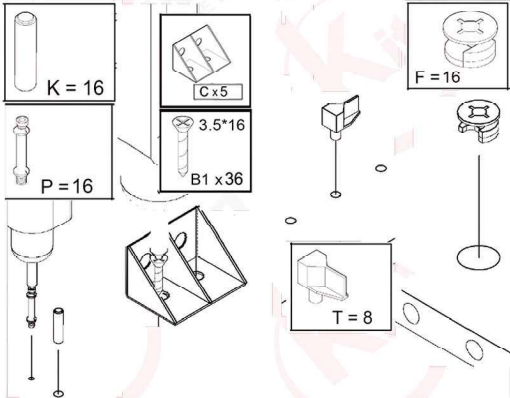
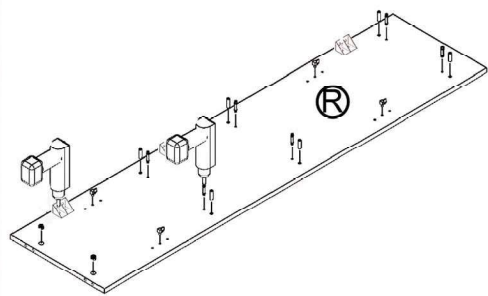
4



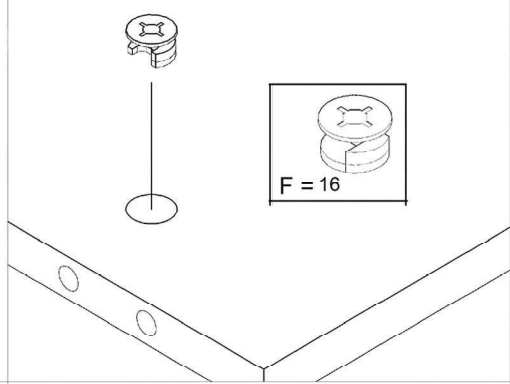
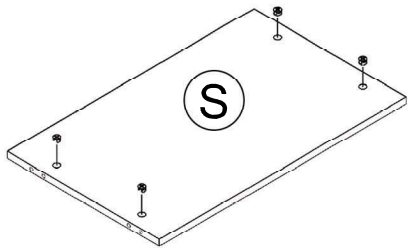
5



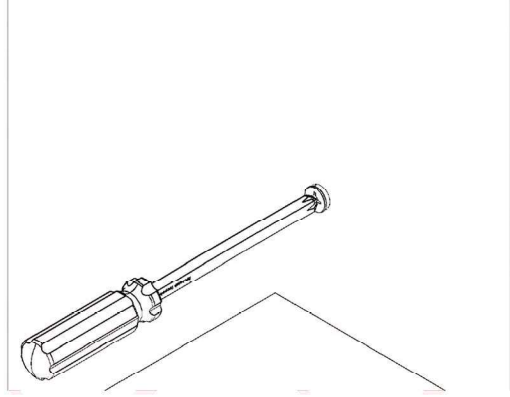
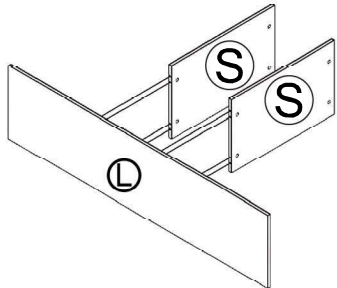
6



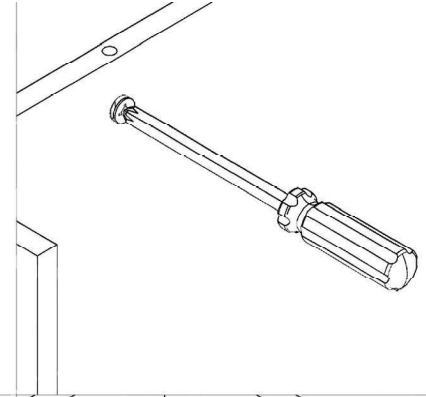
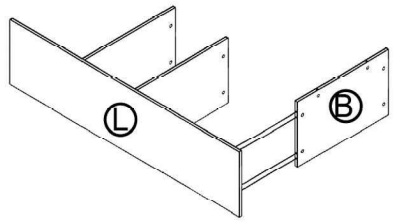
7



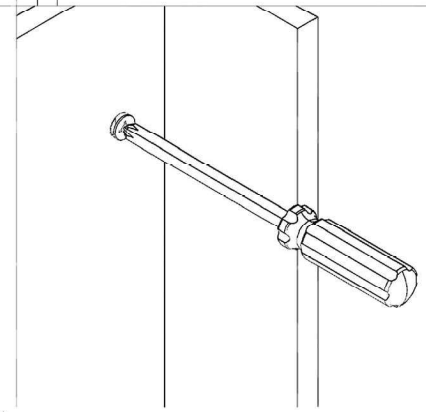
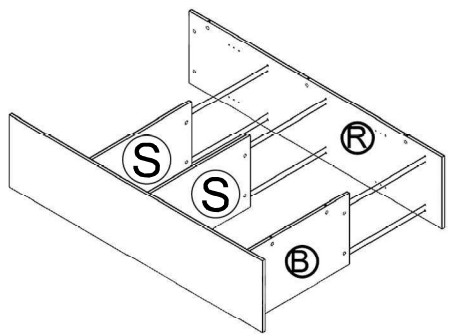
8



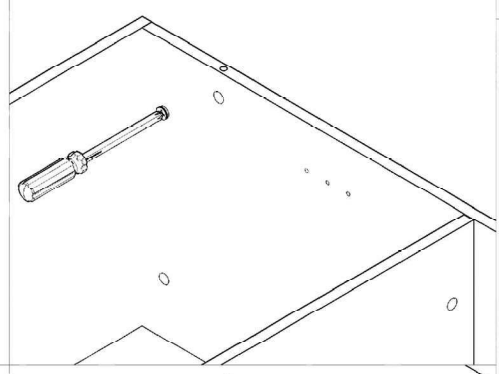
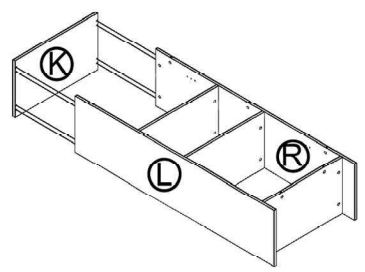
9



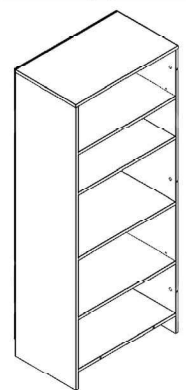
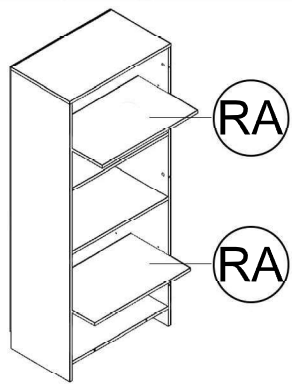
10



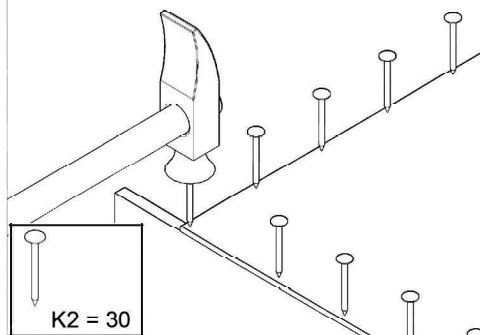
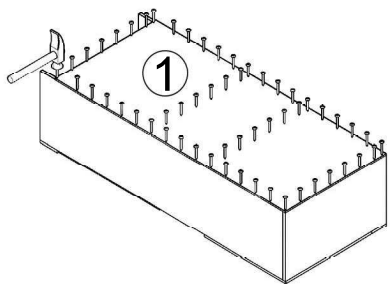
11



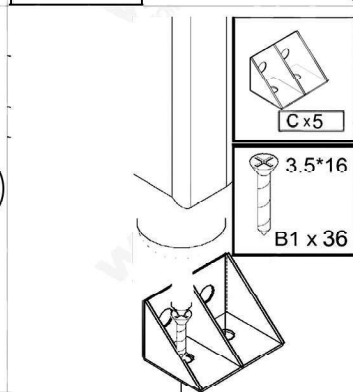
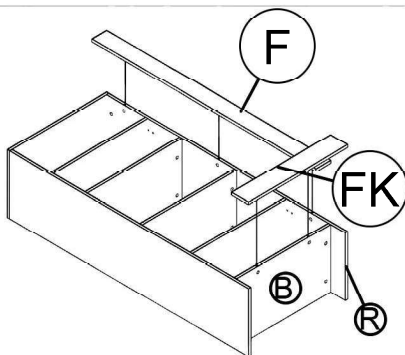
12



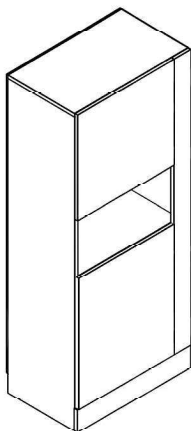
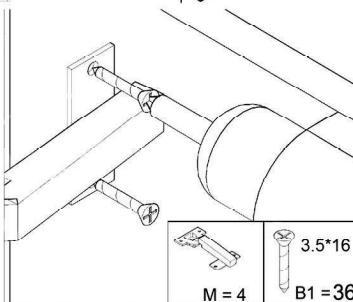
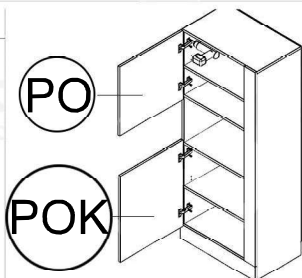
# 13



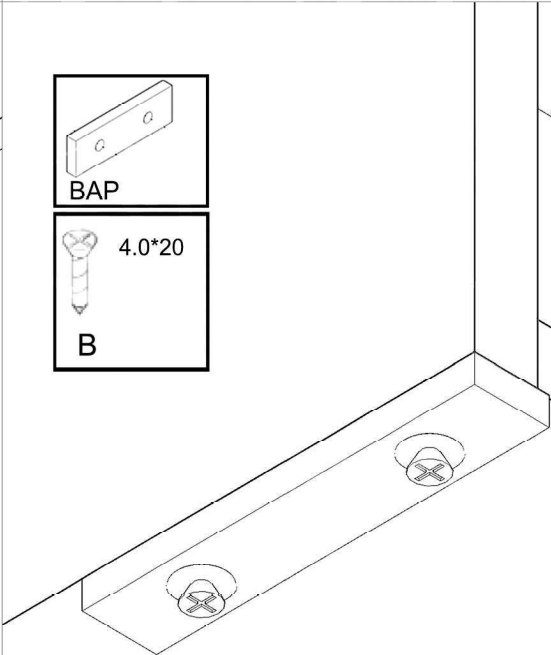
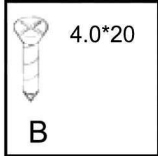
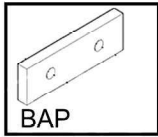
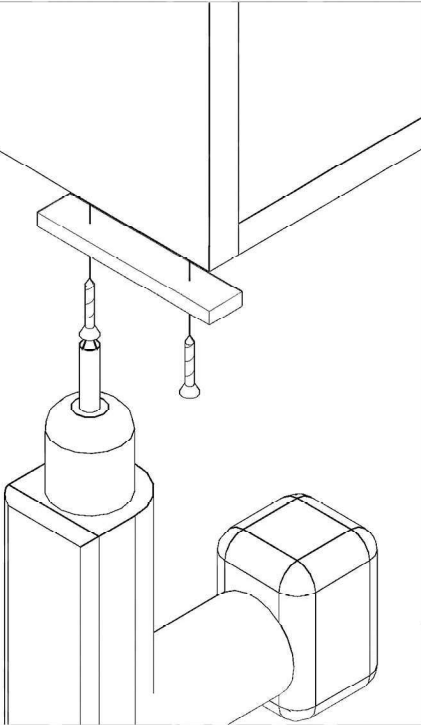
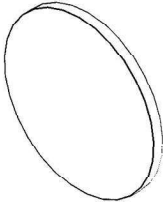
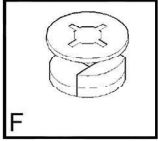
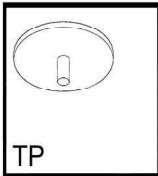
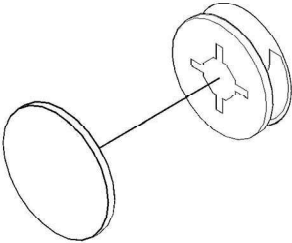
# 14



# 15

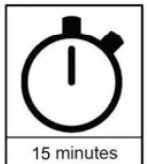
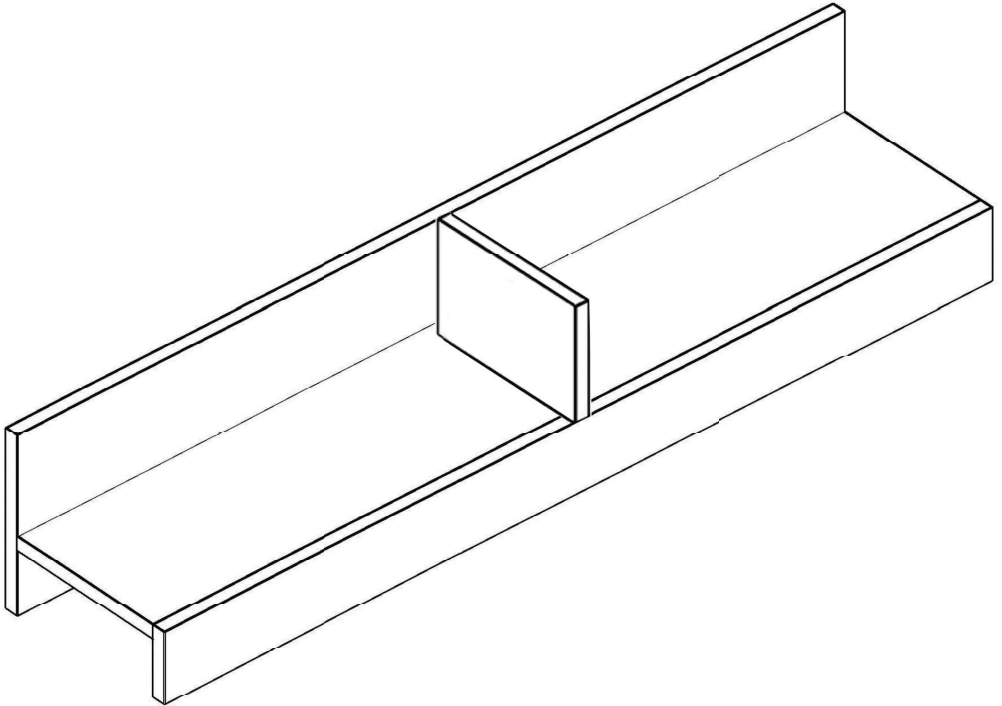


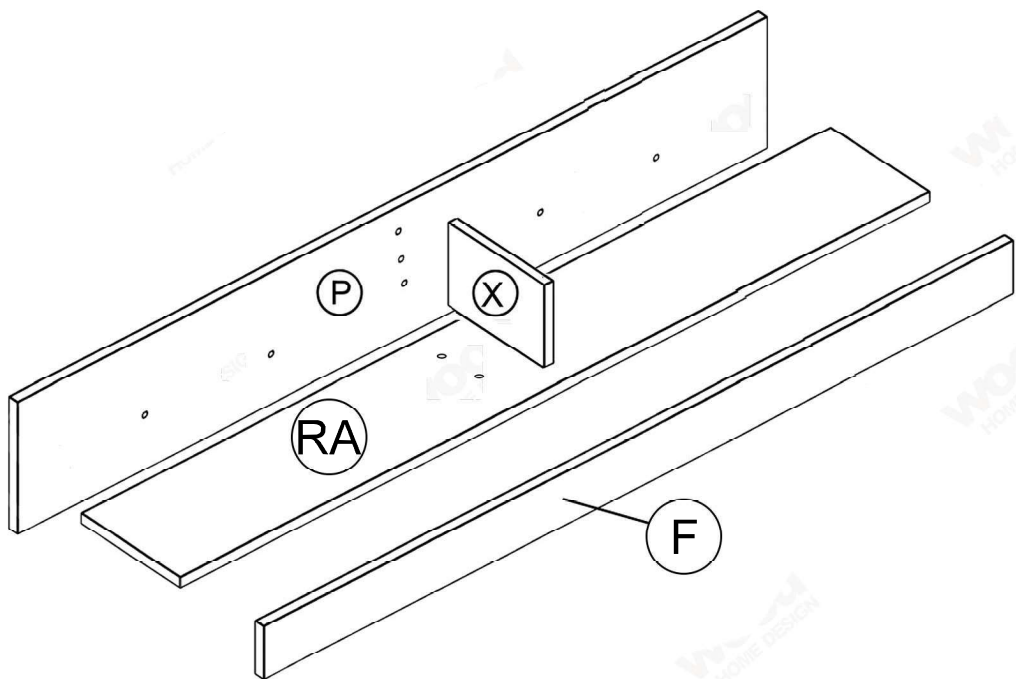
**PLASTIC COVER CAPS FOR SCREWS**





# GRK 13 C





USING TOOLS



M x2



S x 9



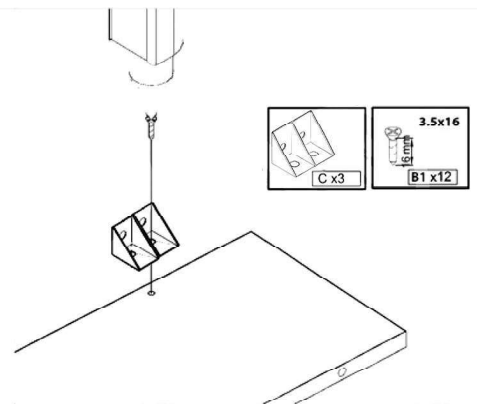
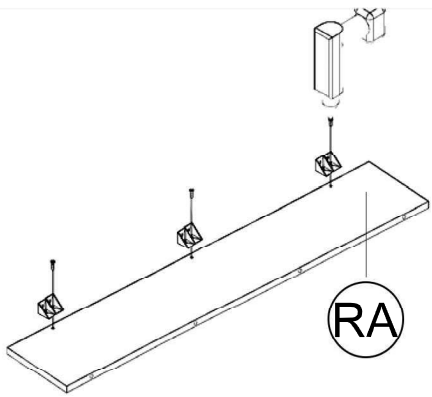
C x3



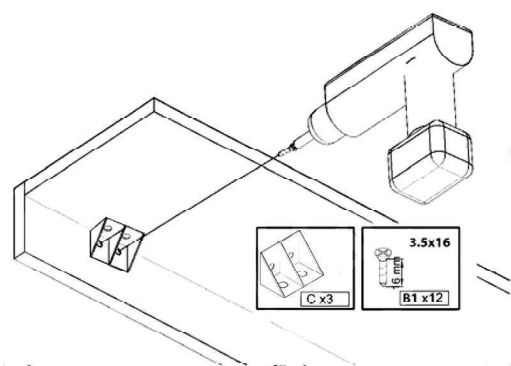
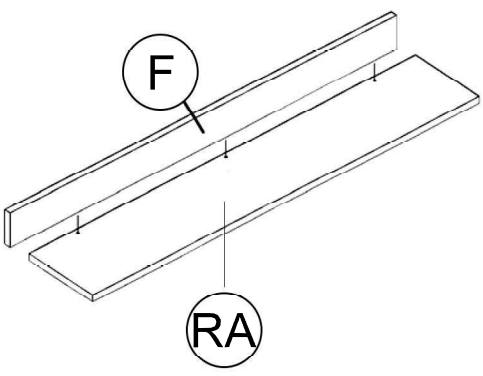
3.5x16

B1 x12

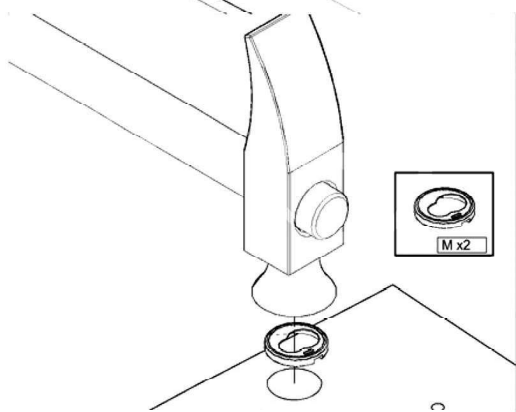
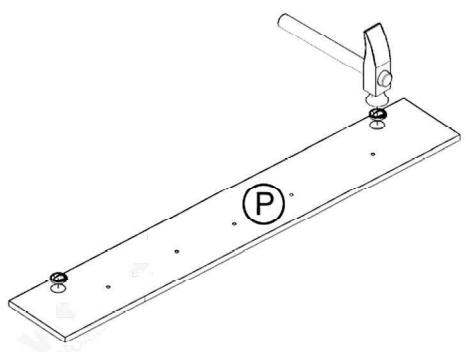
1



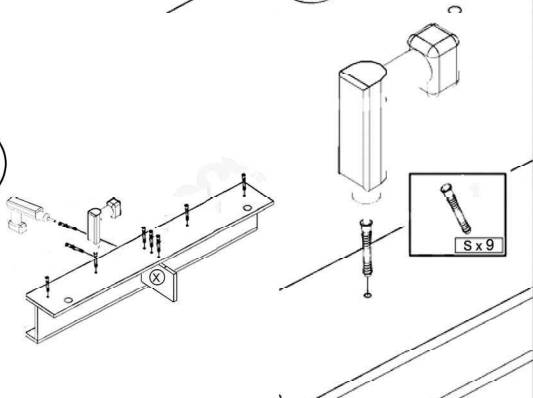
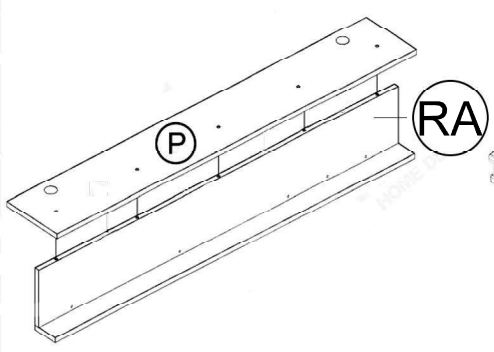
2



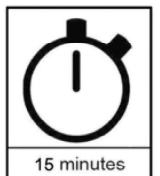
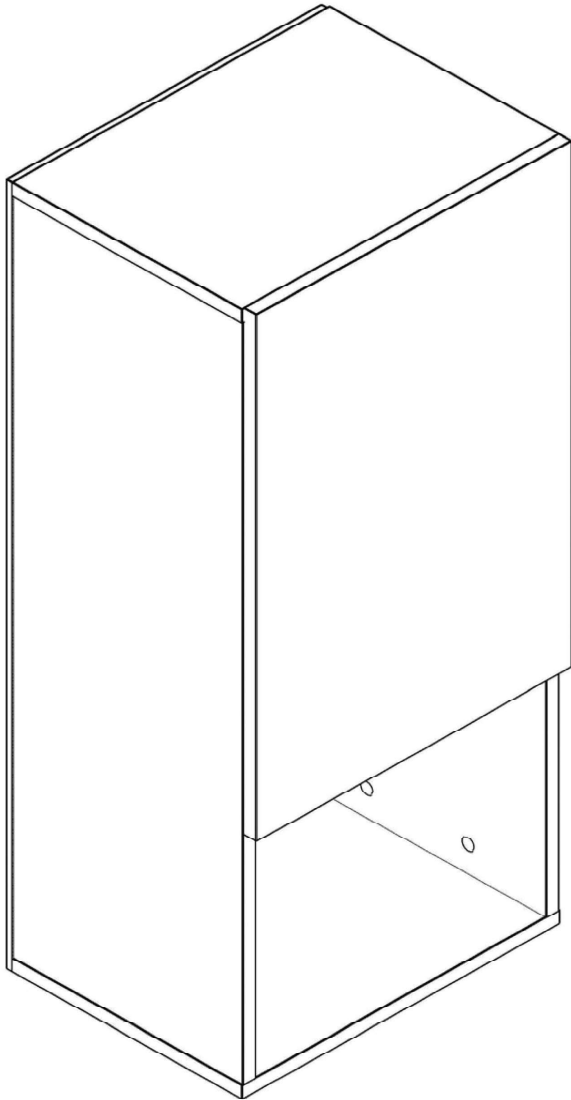
3

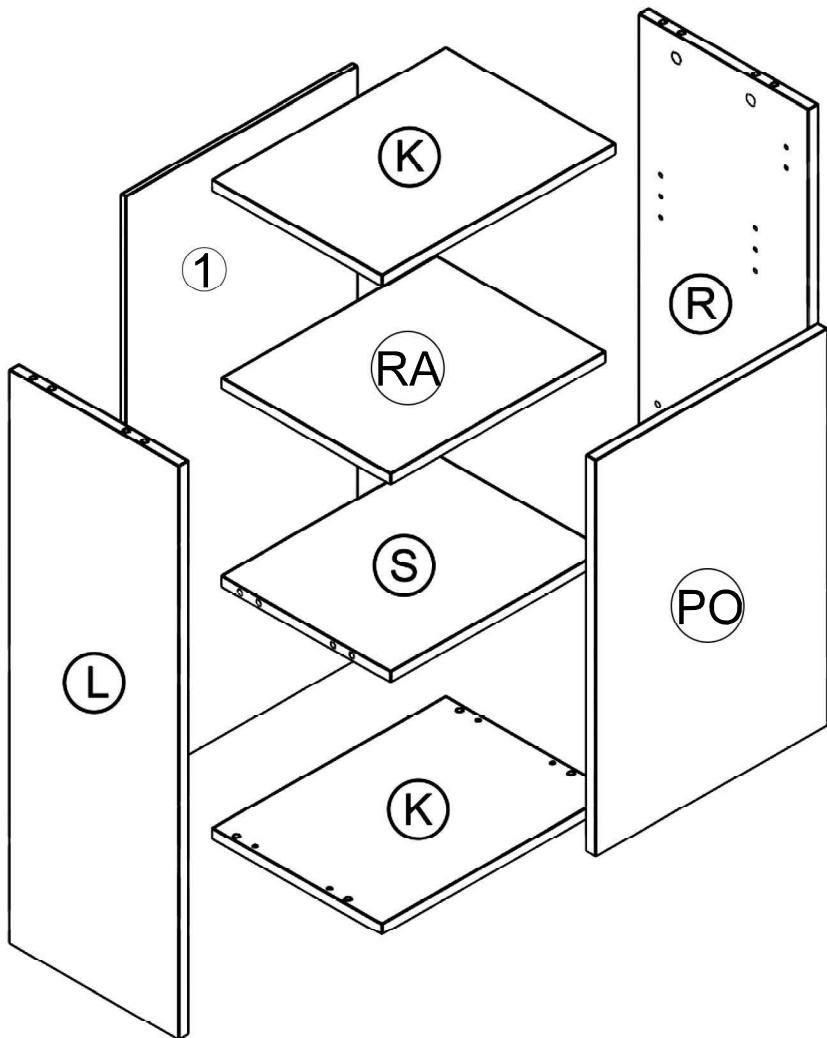


4

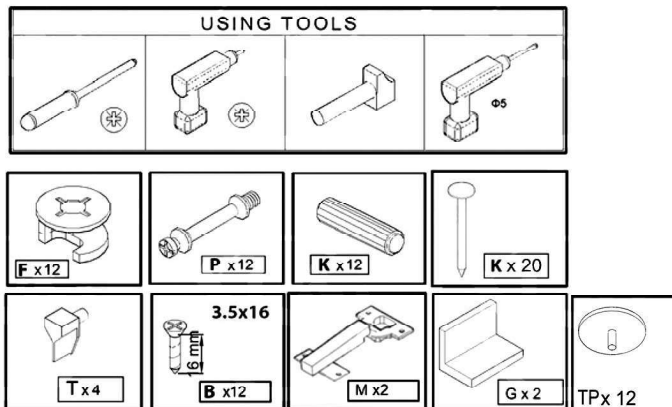


# GRK13 D

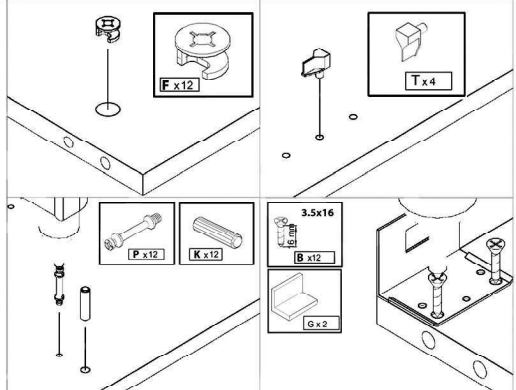
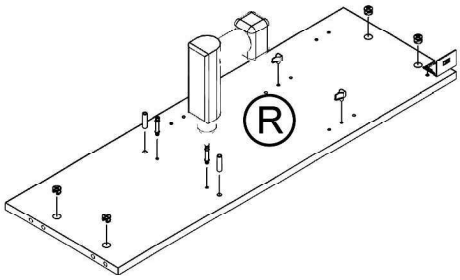




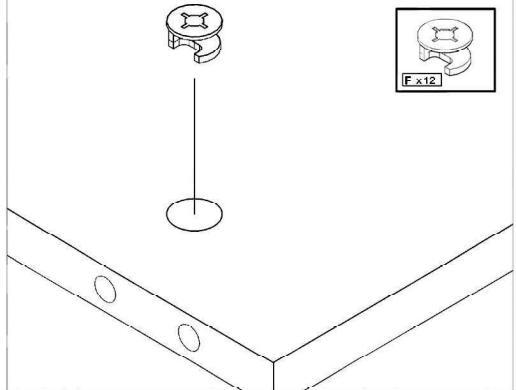
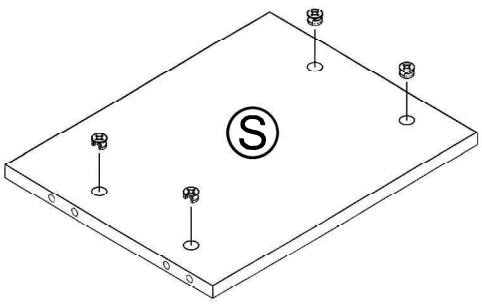
USING TOOLS



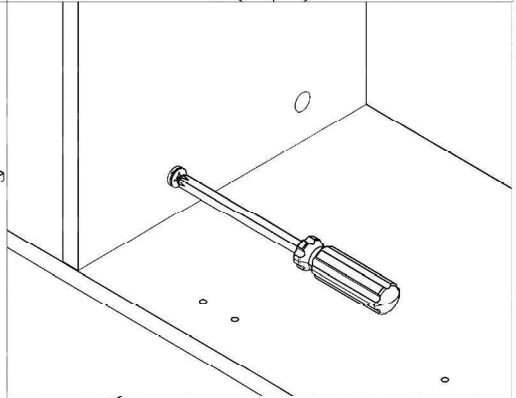
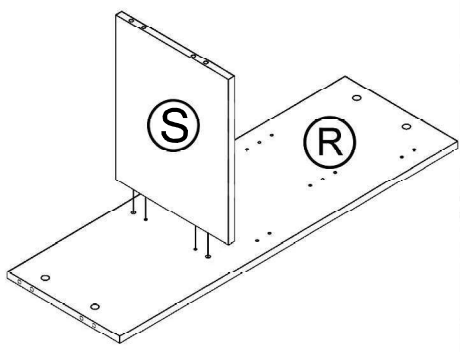
# 1



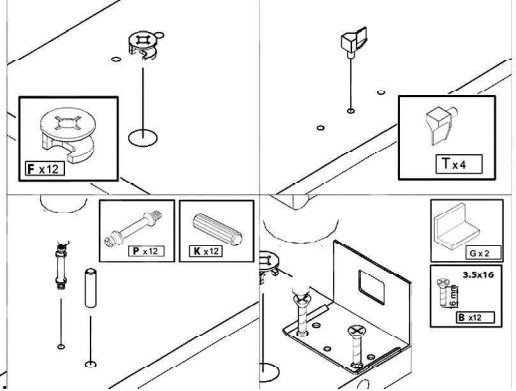
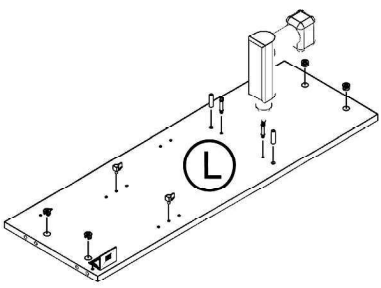
# 2



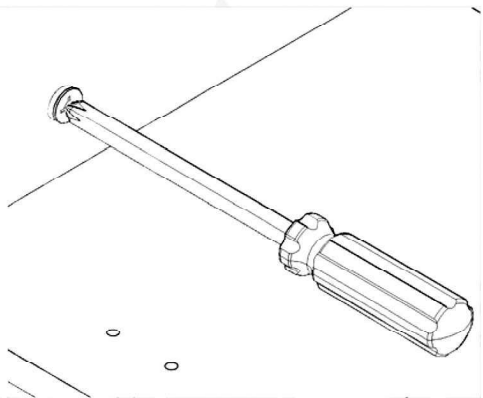
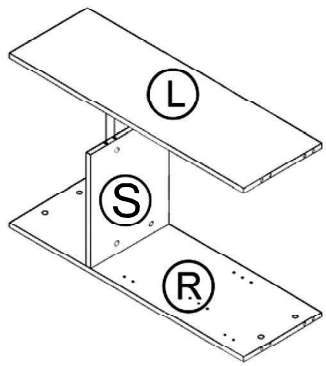
# 3



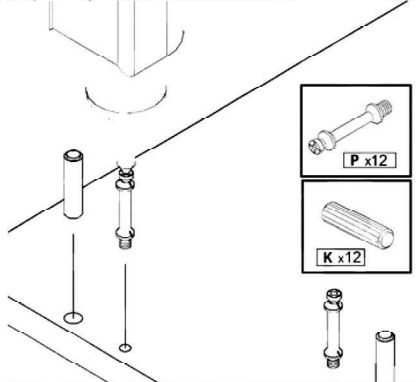
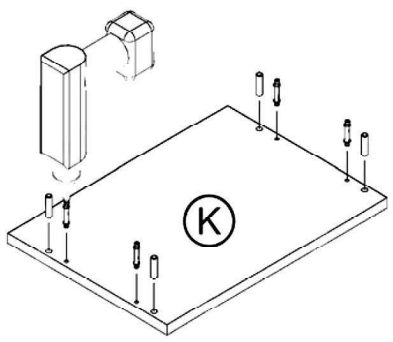
# 4



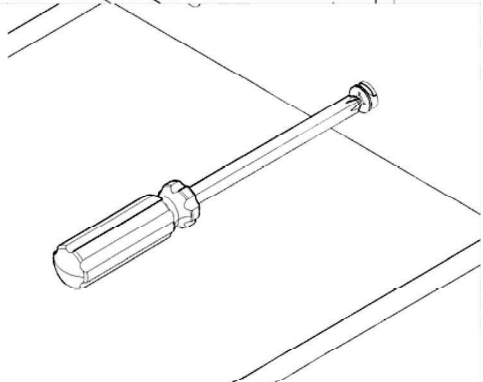
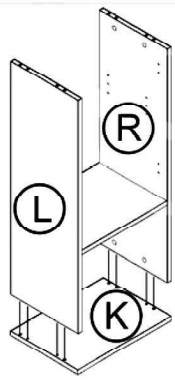
5



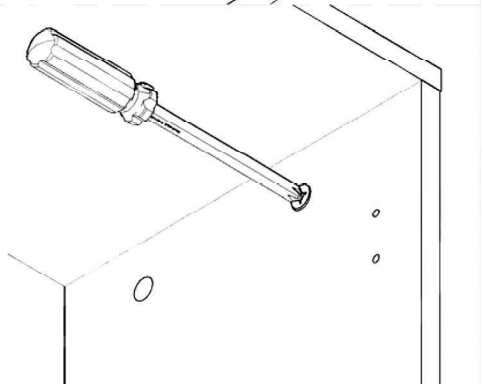
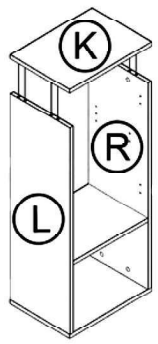
6



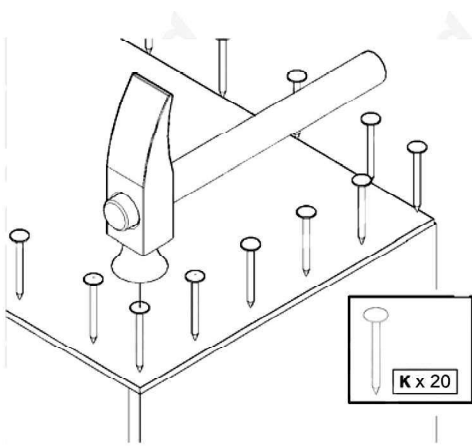
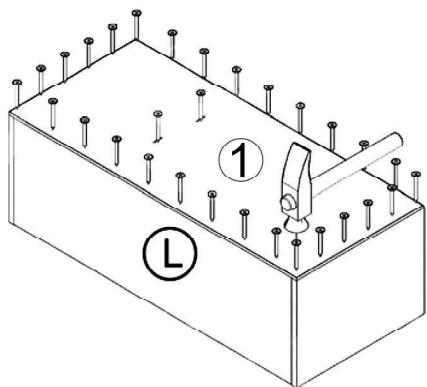
7



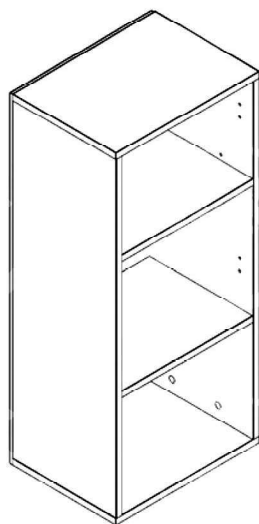
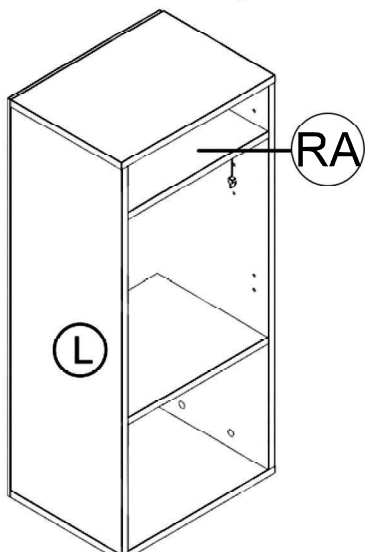
8



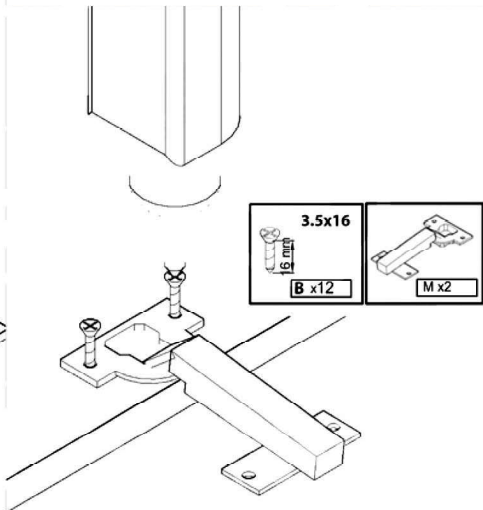
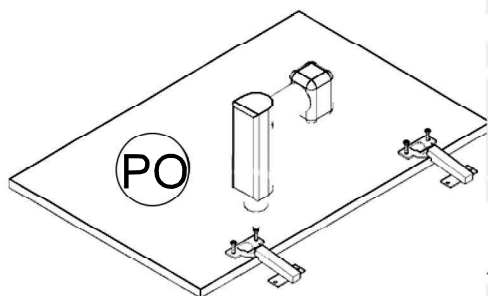
# 9



# 10

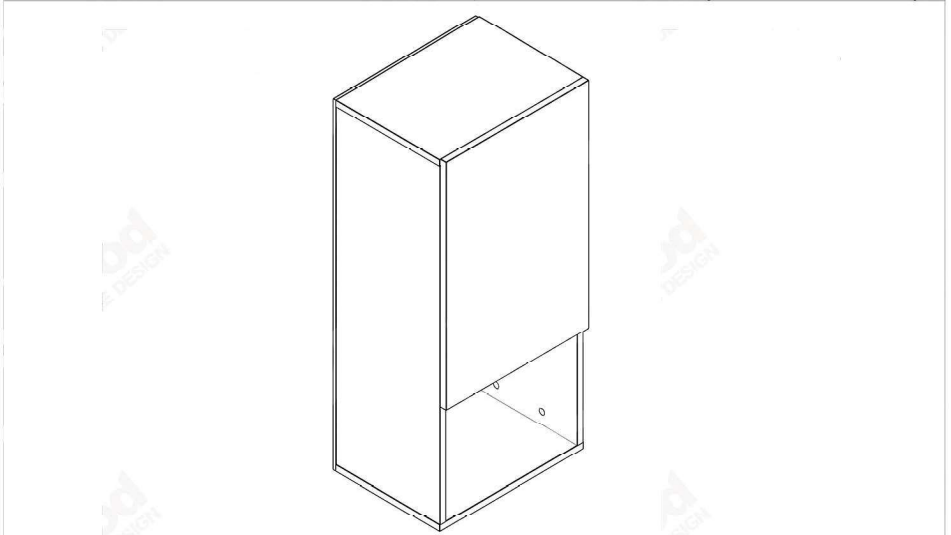
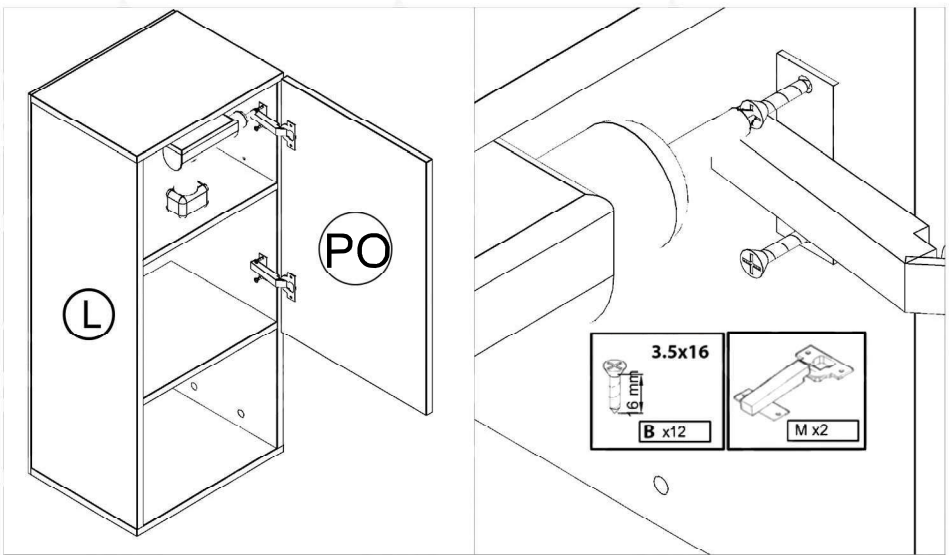


# 11

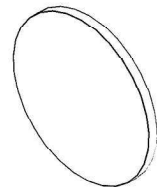
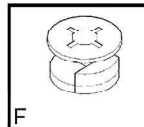
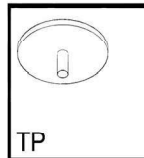
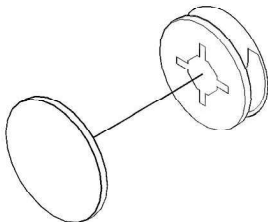




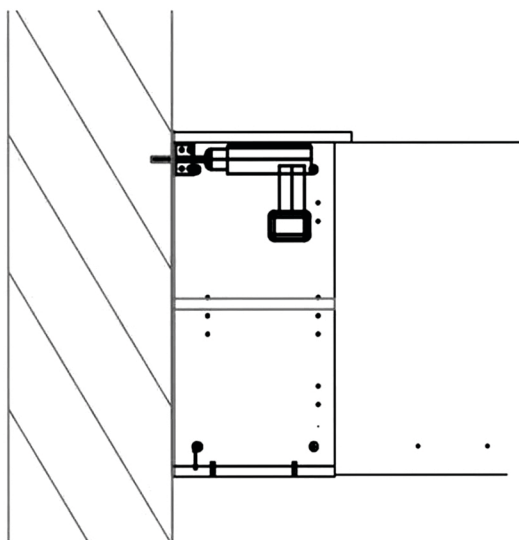
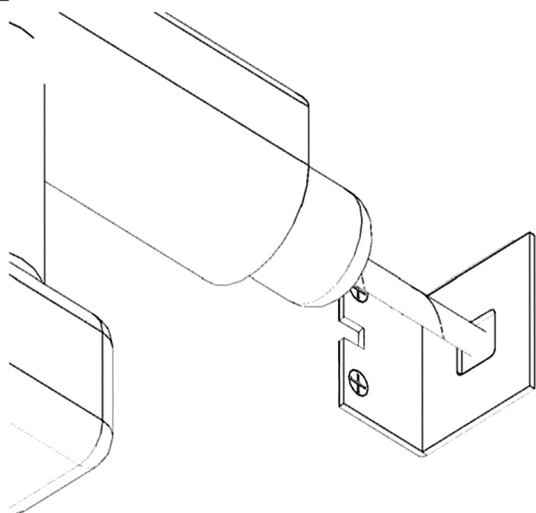
# 12



## PLASTIC COVER CAPS FOR SCREWS



**A**



**B**

