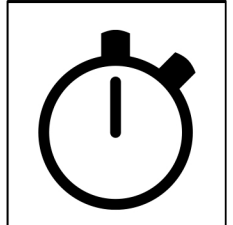
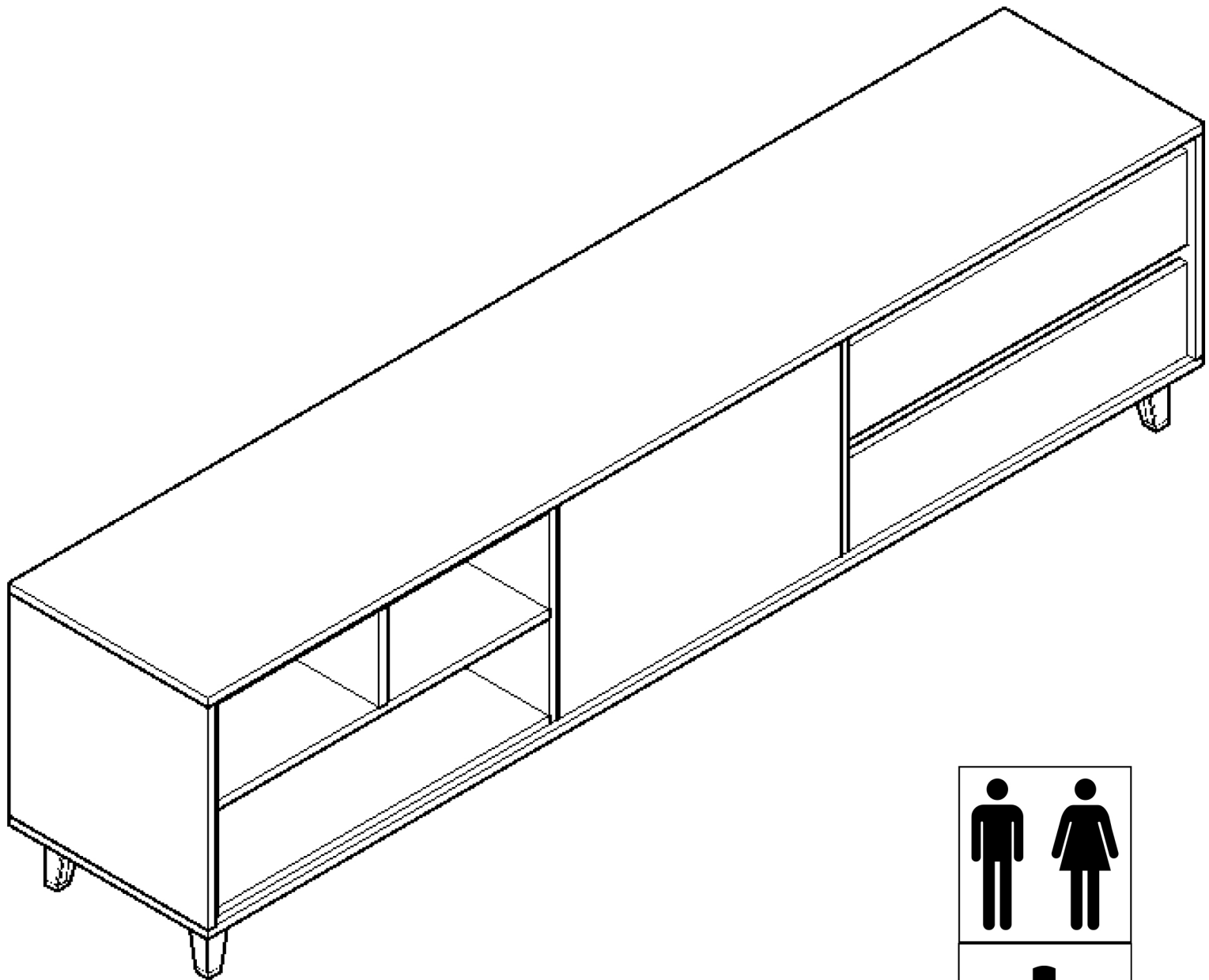
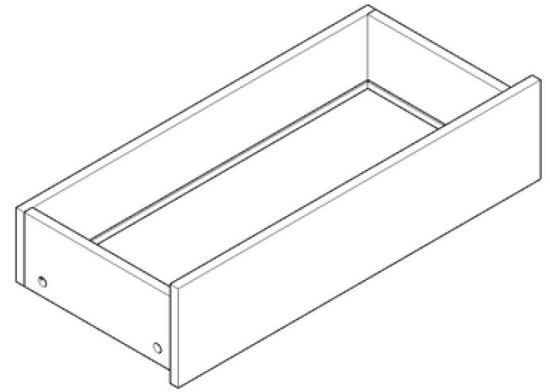
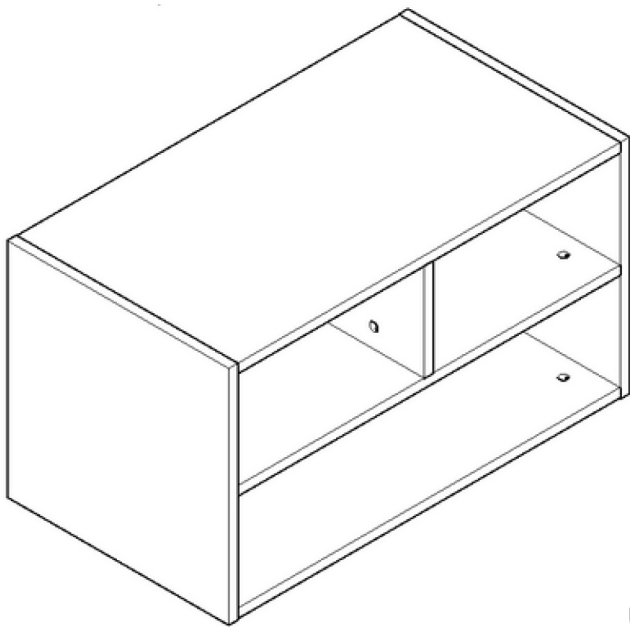
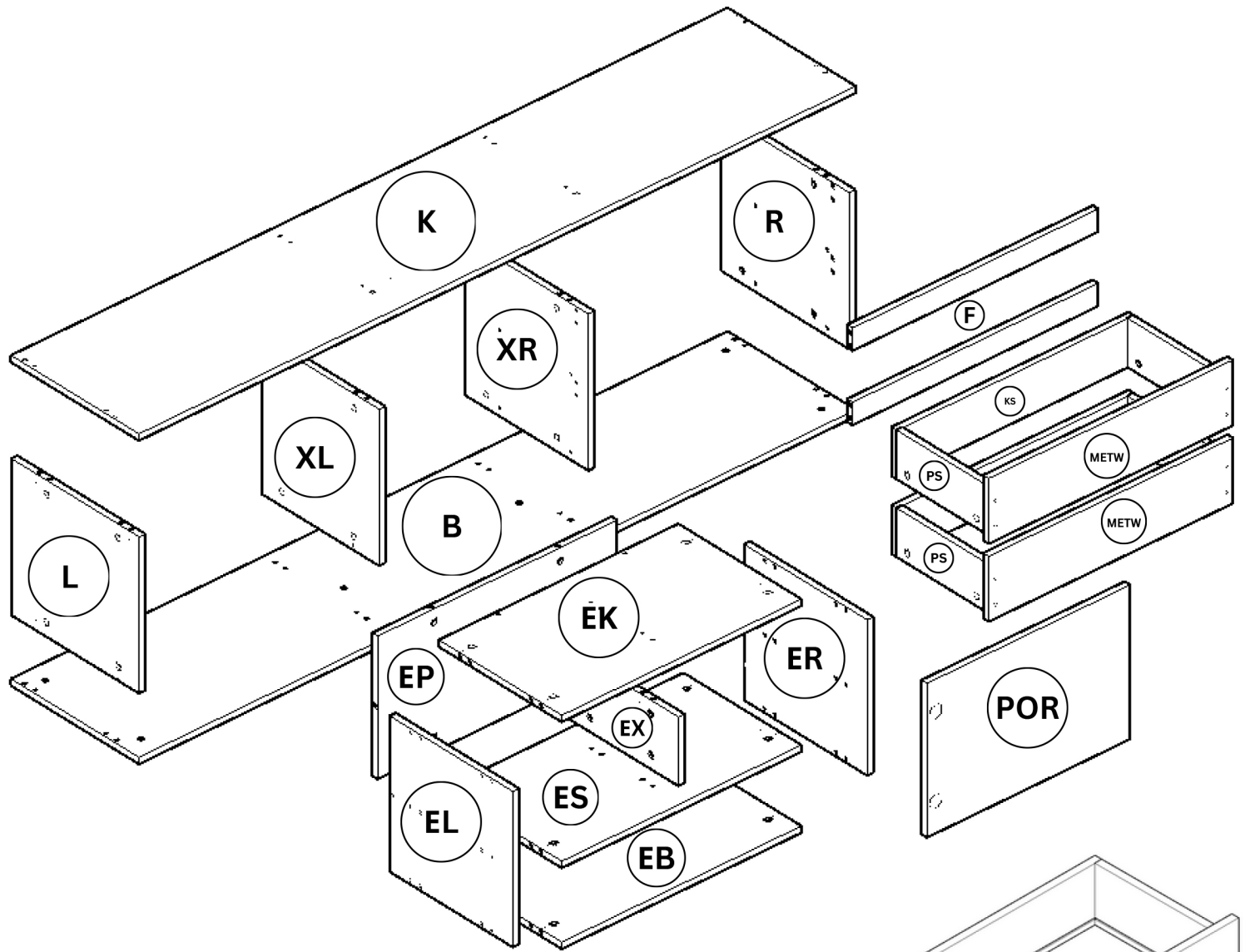


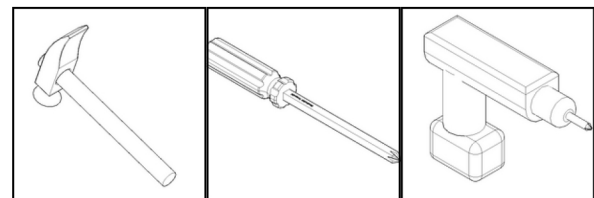
# GRK 184



45 minutes



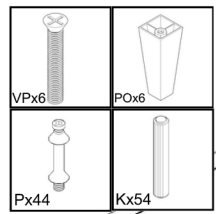
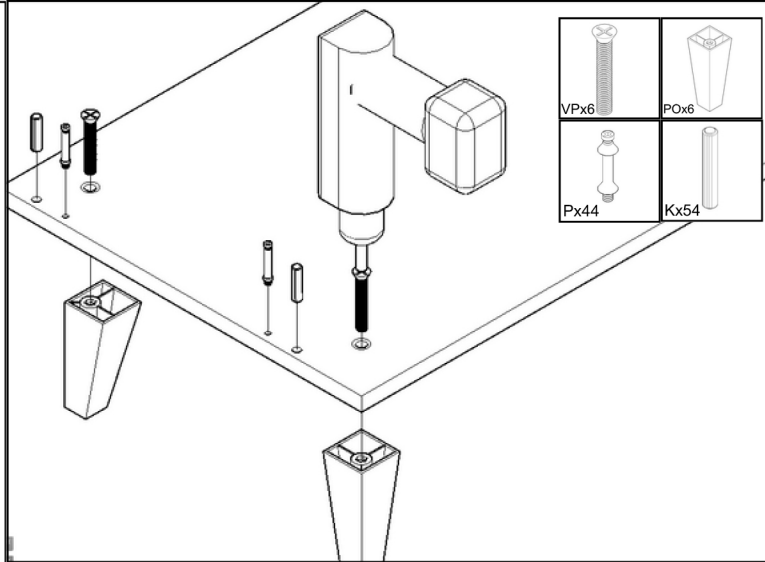
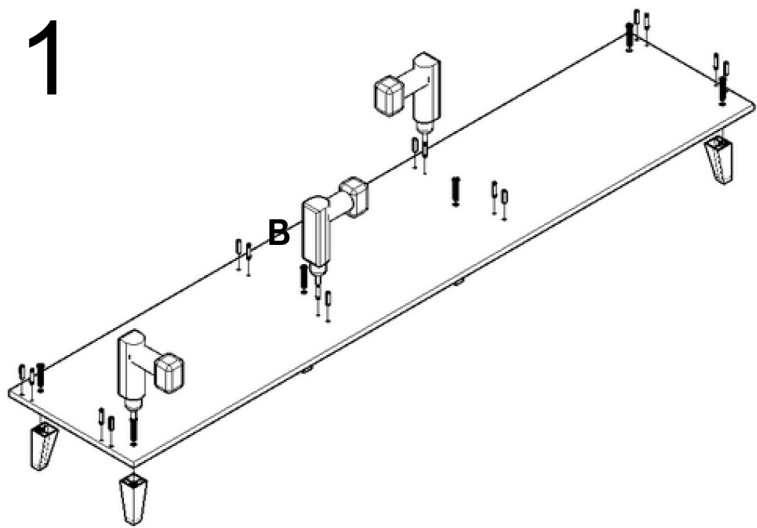
USING TOOLS



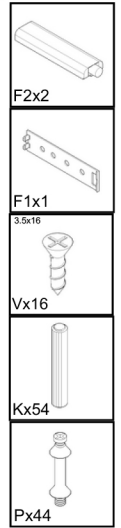
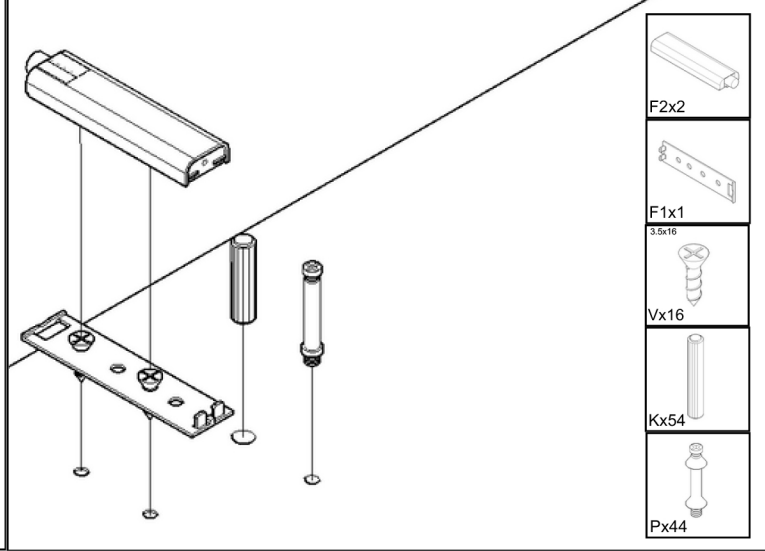
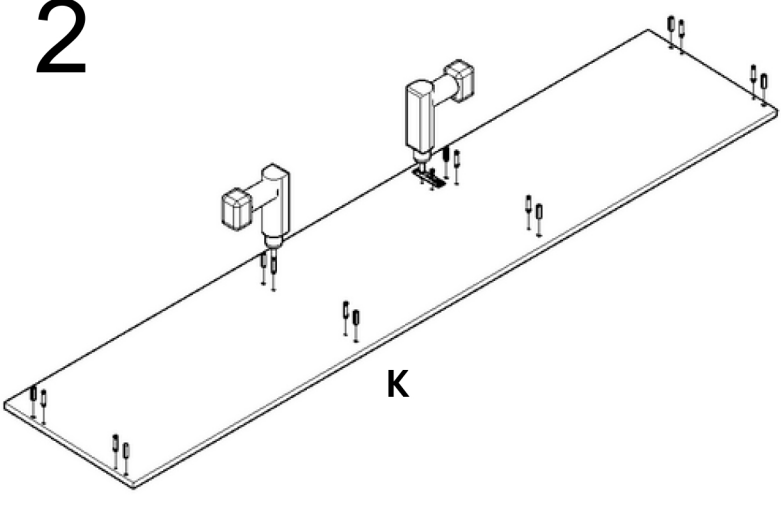
USING HARDWARE

 F1x1	 Tx44	 Fx44	 Px44	 Kx54	 KRx18	 Vx18	 EUx8
 F2x1	 VPx6	 POx6	 Mx2	 OSRx2	 ORx2	 OLx2	 OSLx2

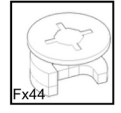
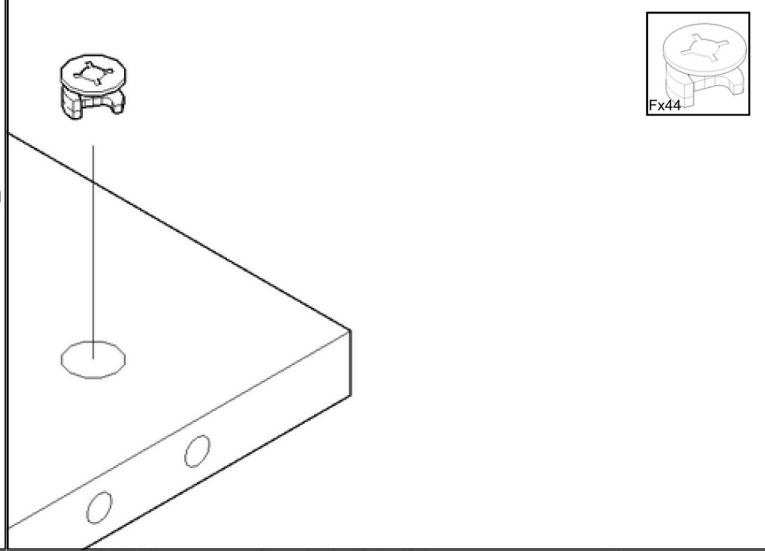
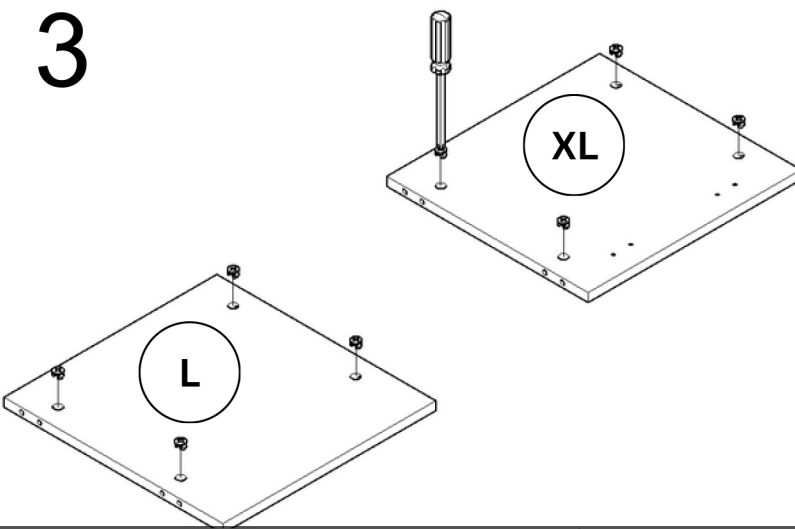
1



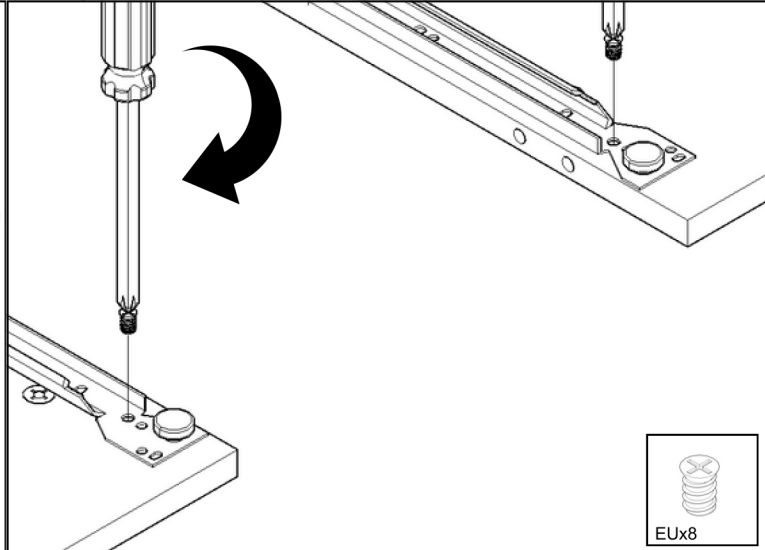
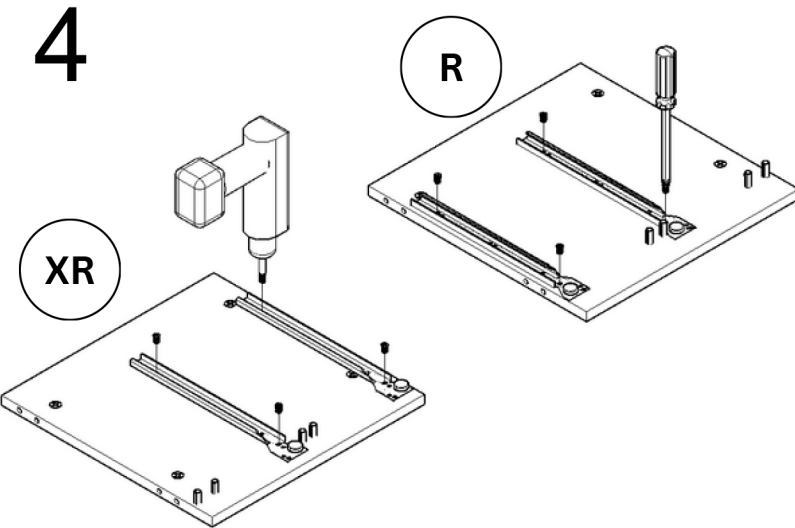
2



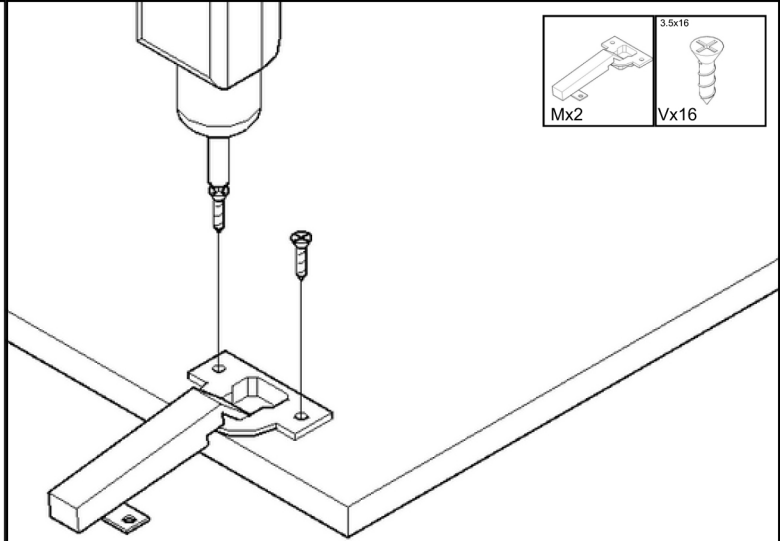
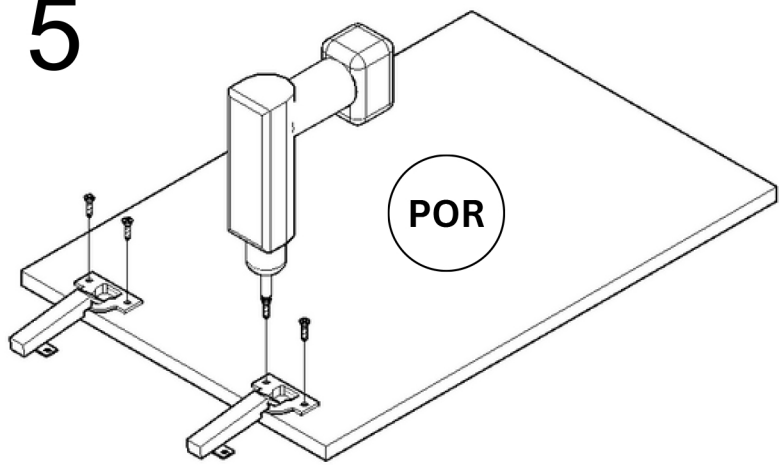
3



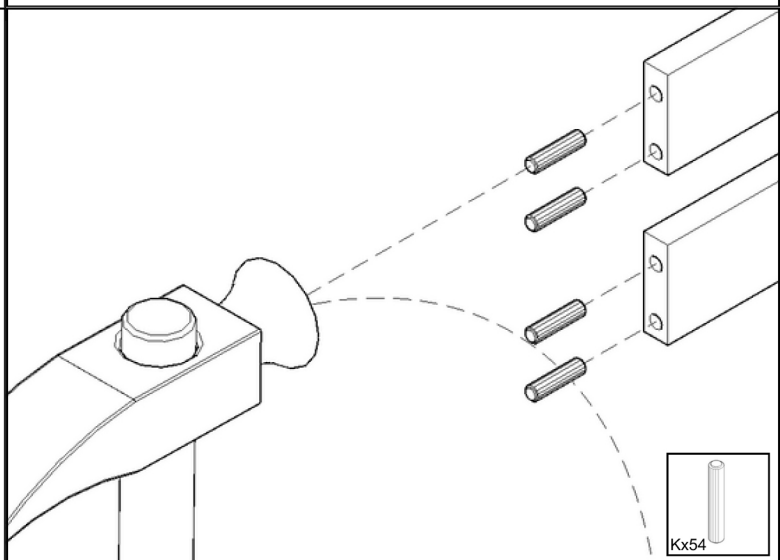
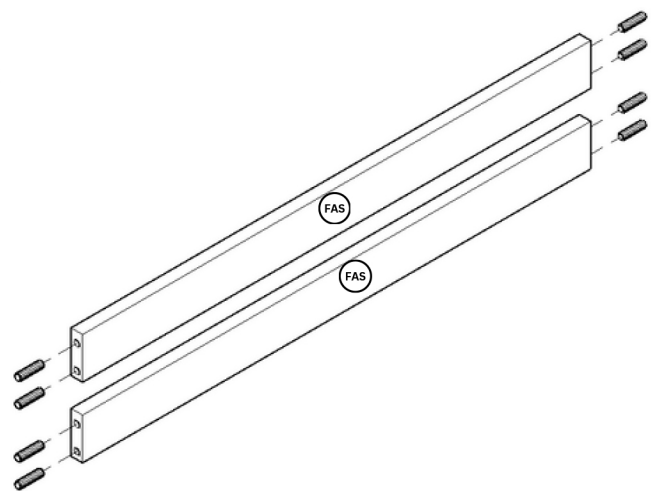
4



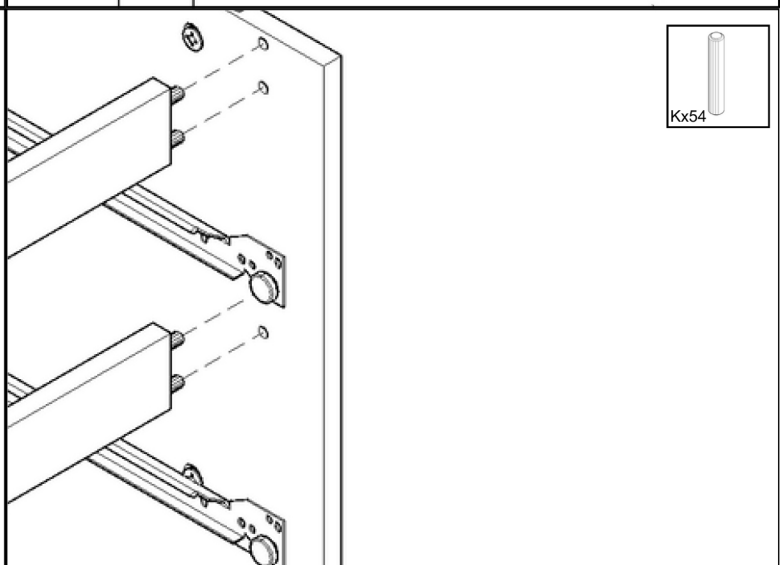
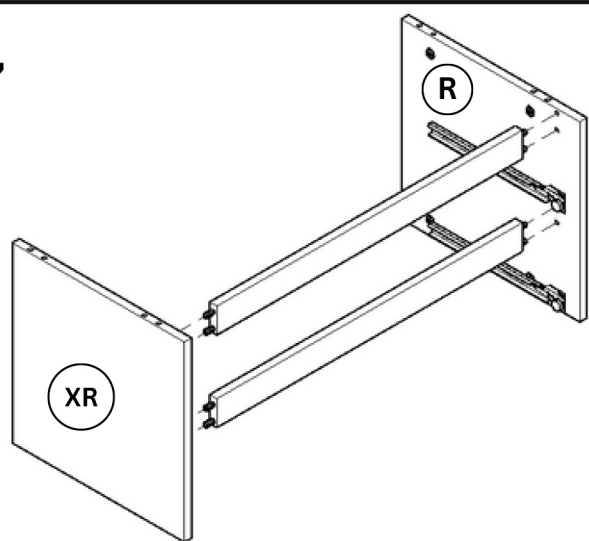
5



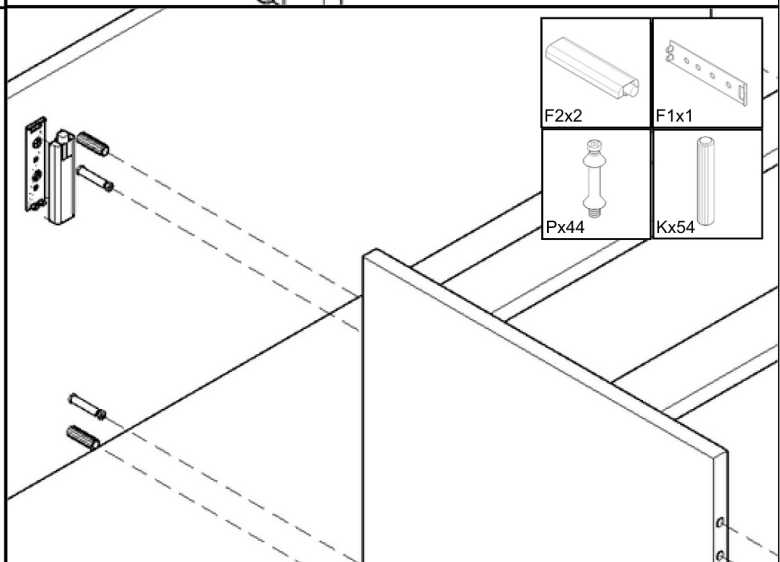
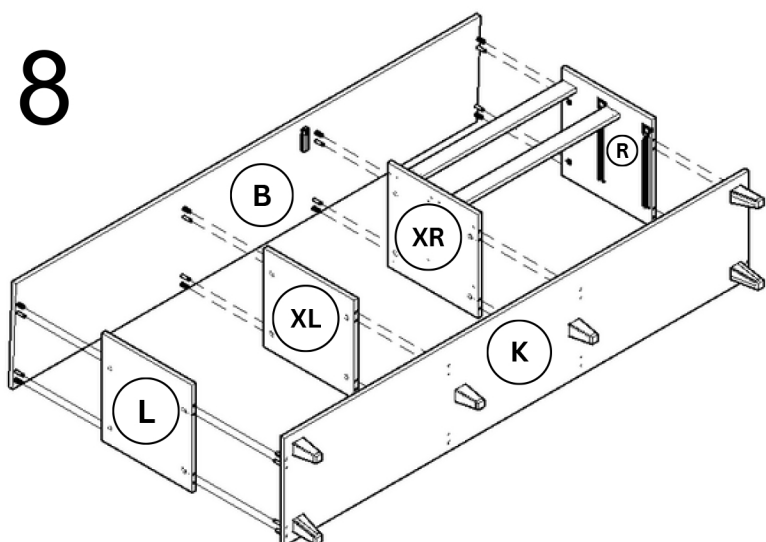
6



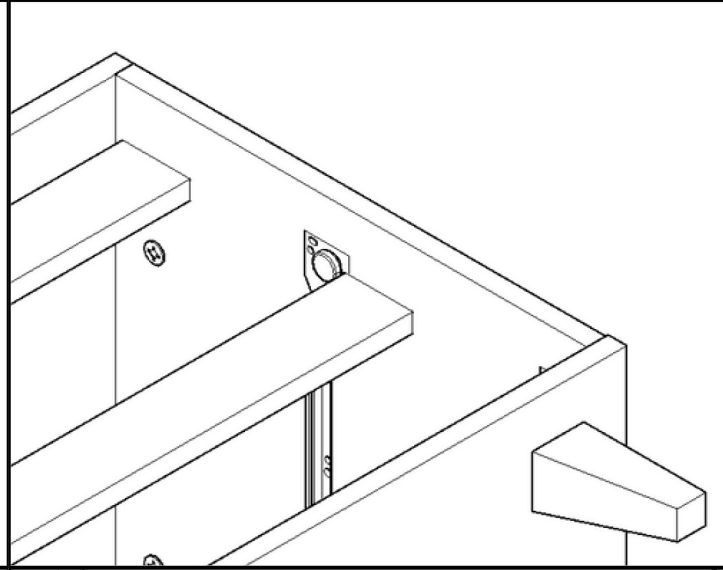
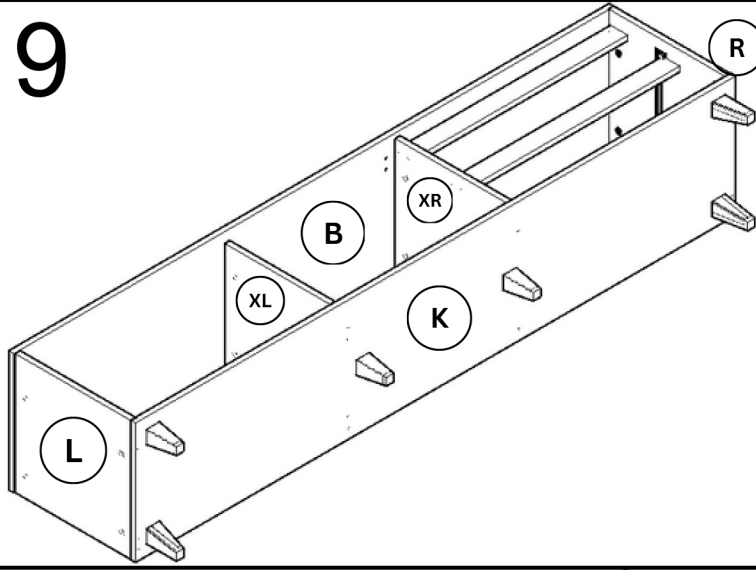
7



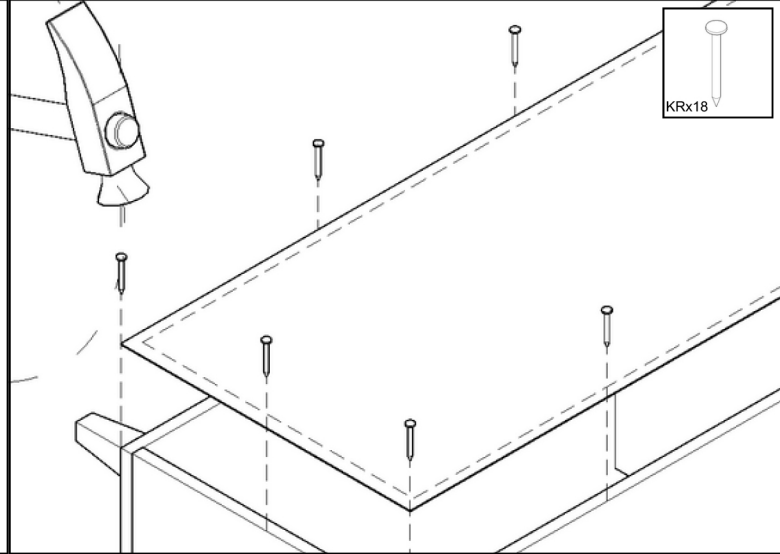
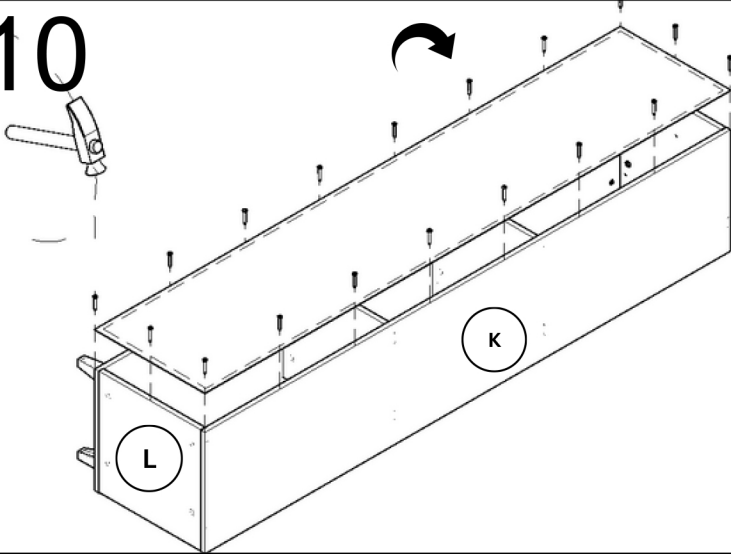
8



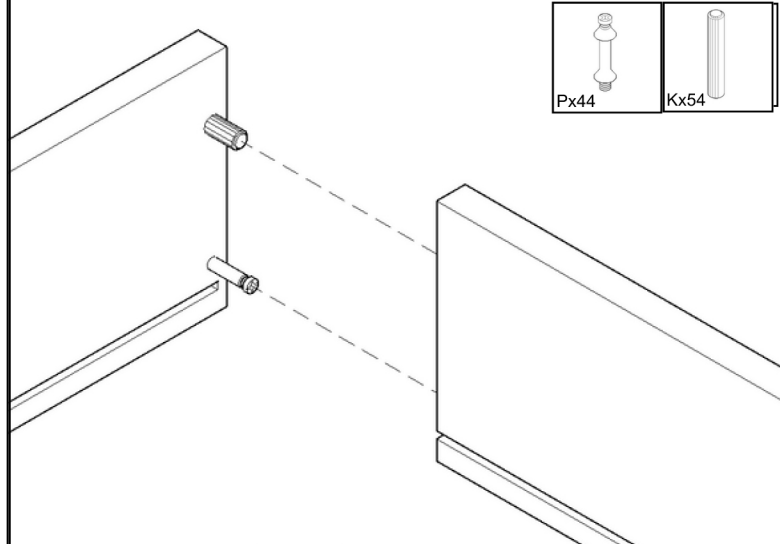
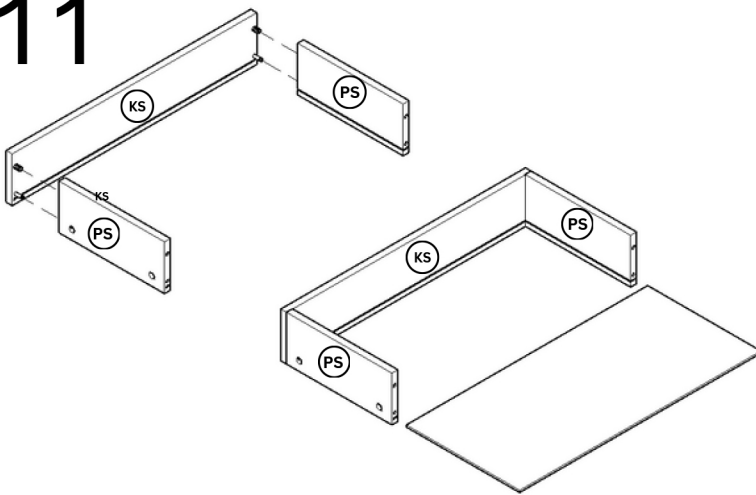
# 9



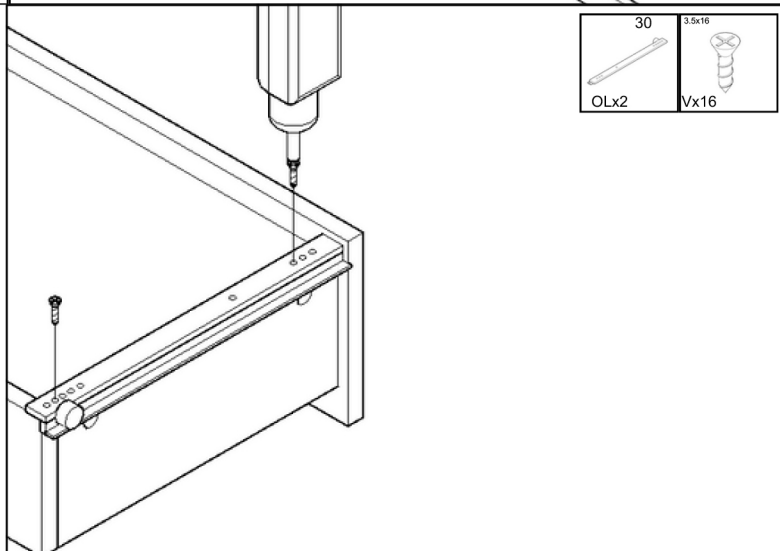
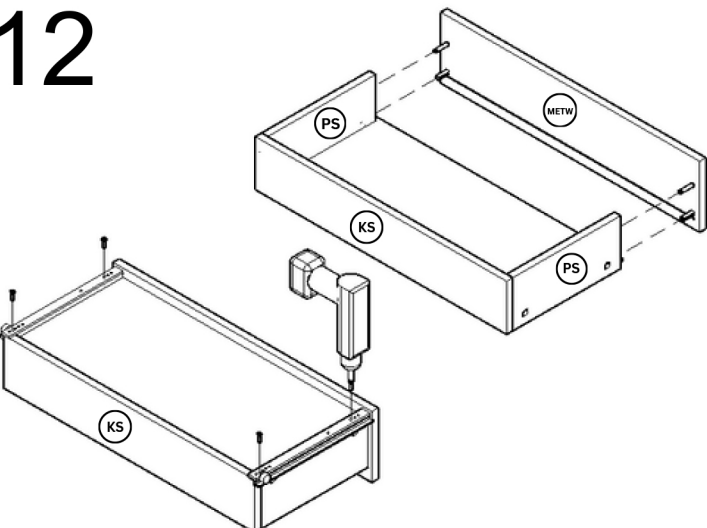
# 10



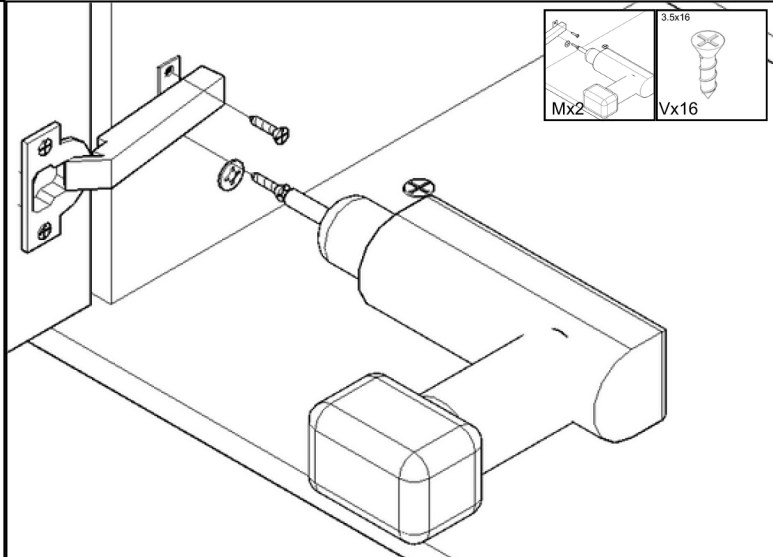
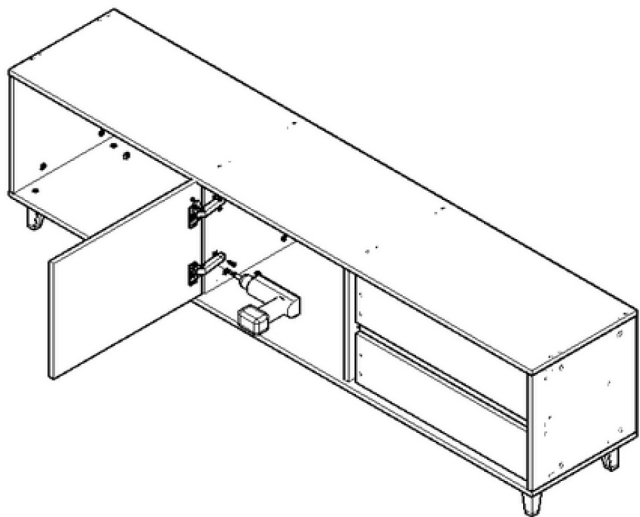
# 11



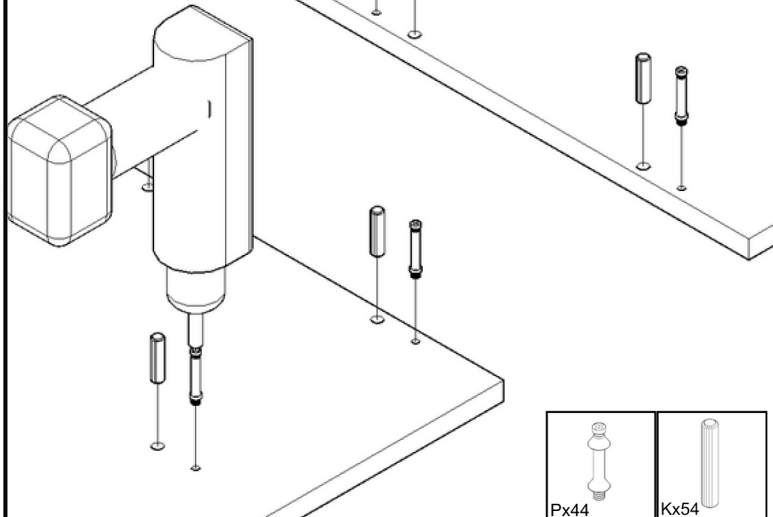
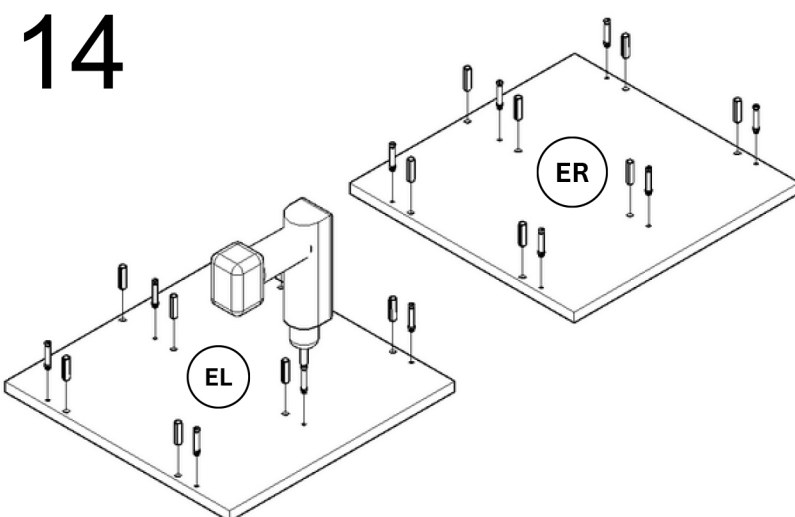
# 12



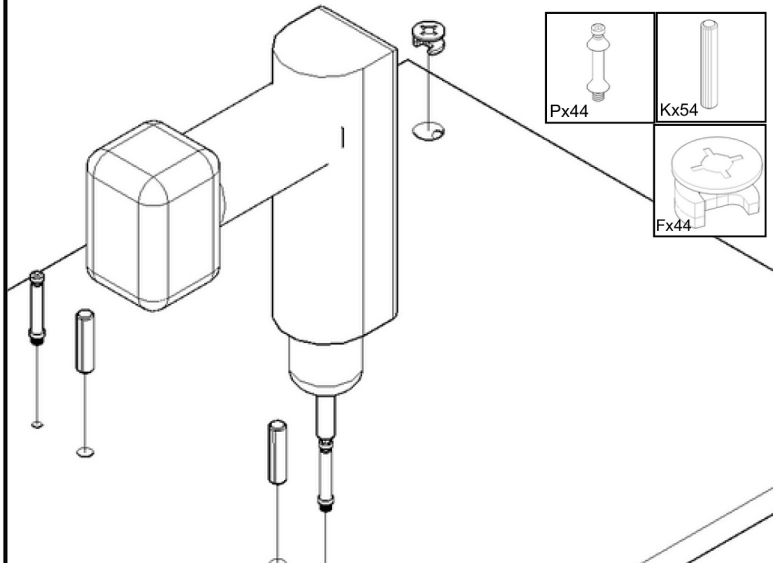
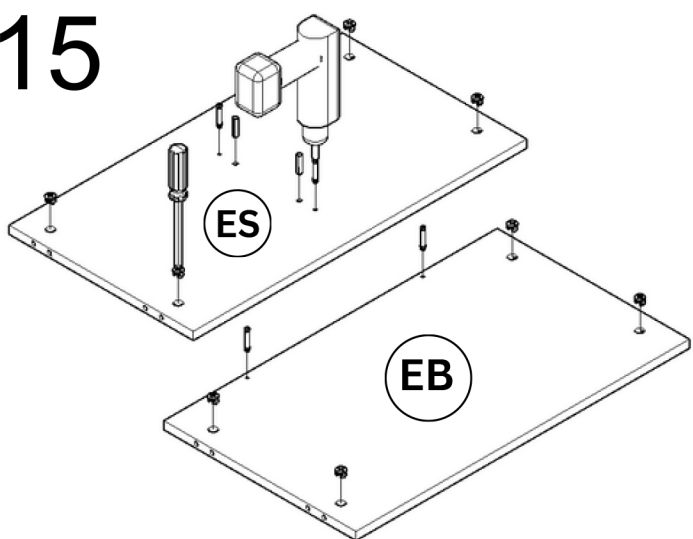
# 13



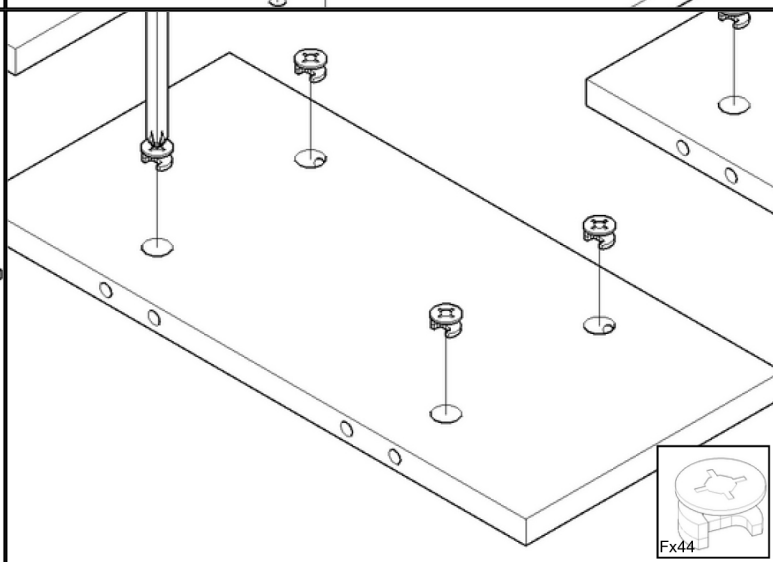
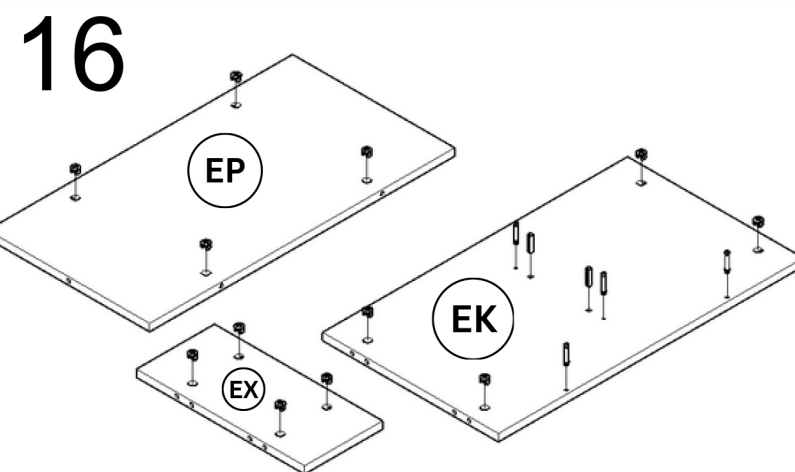
# 14



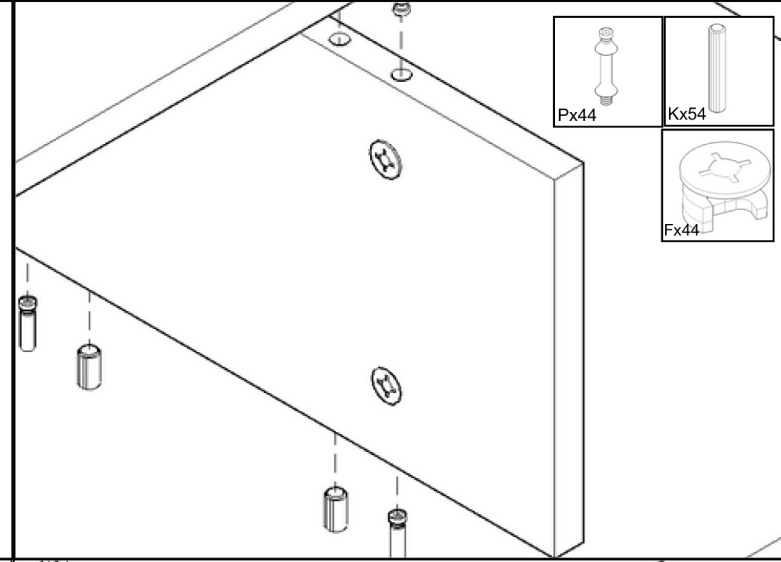
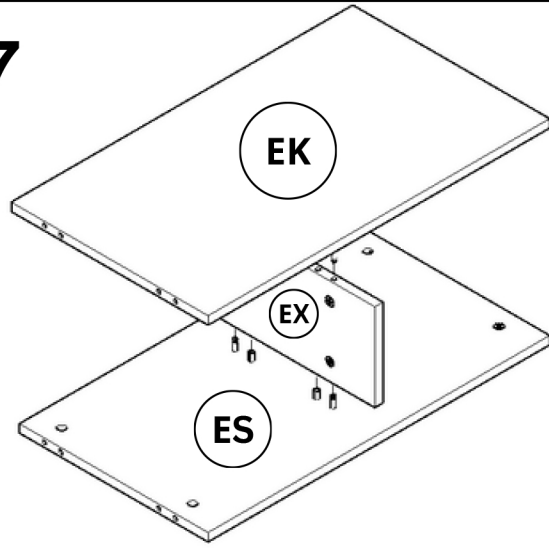
# 15



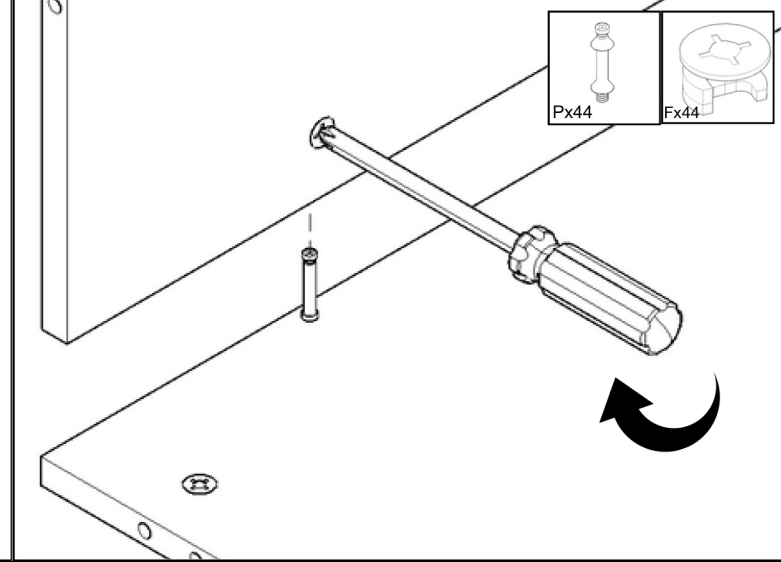
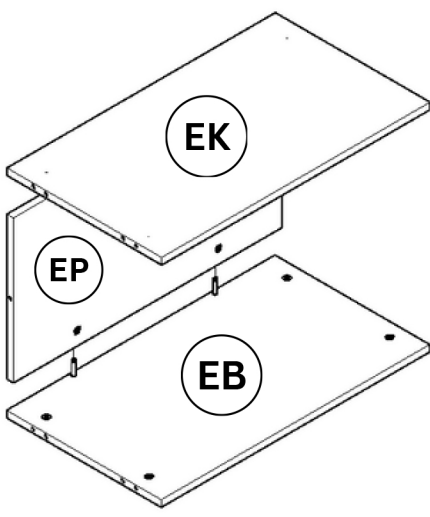
# 16



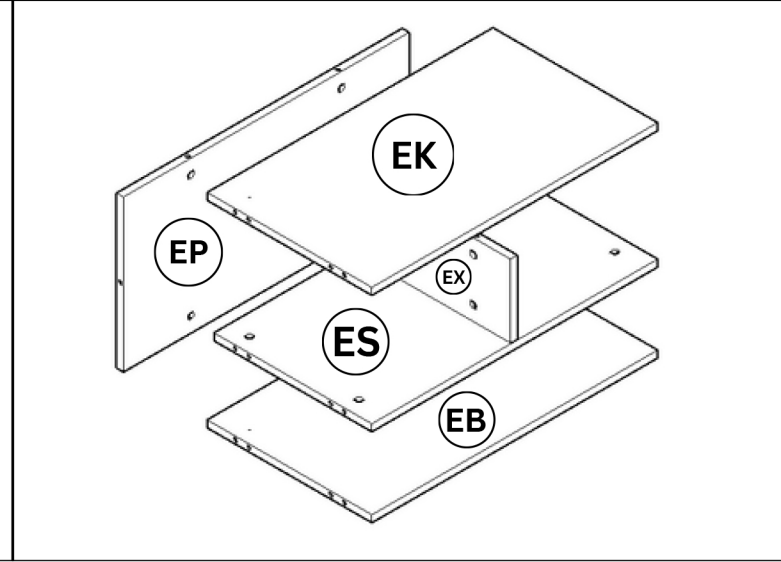
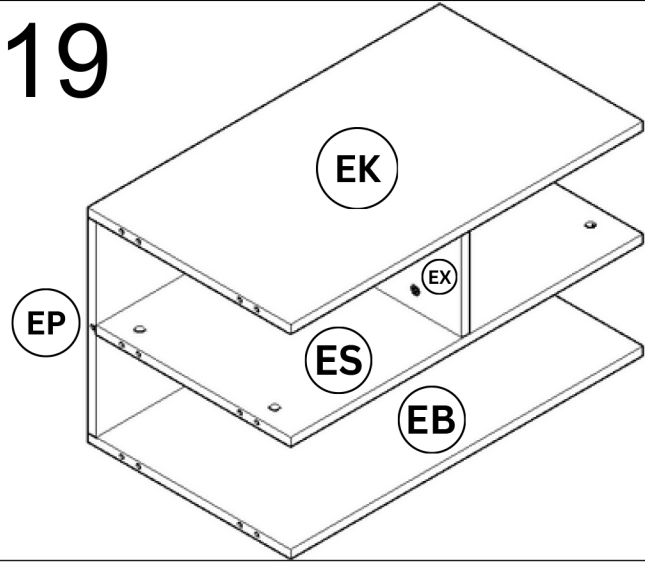
17



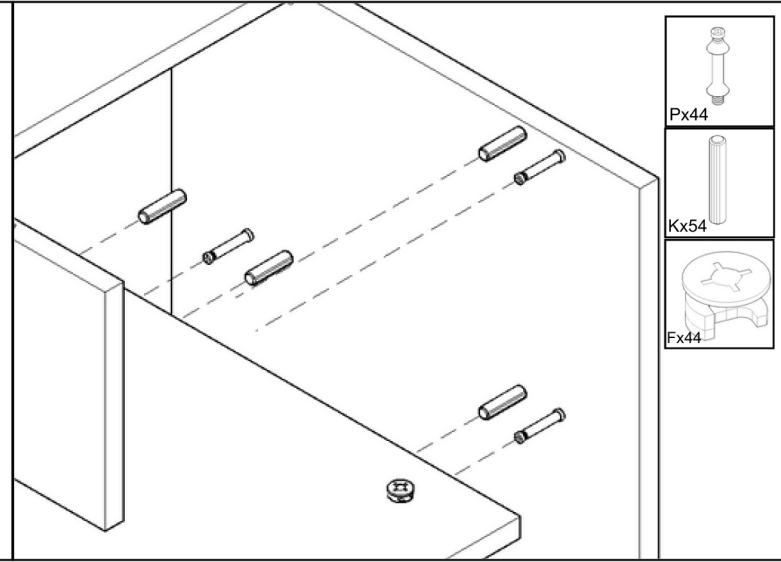
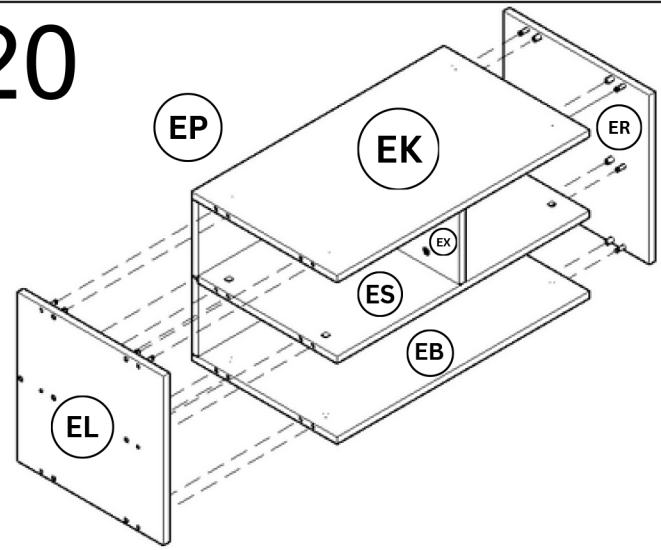
18



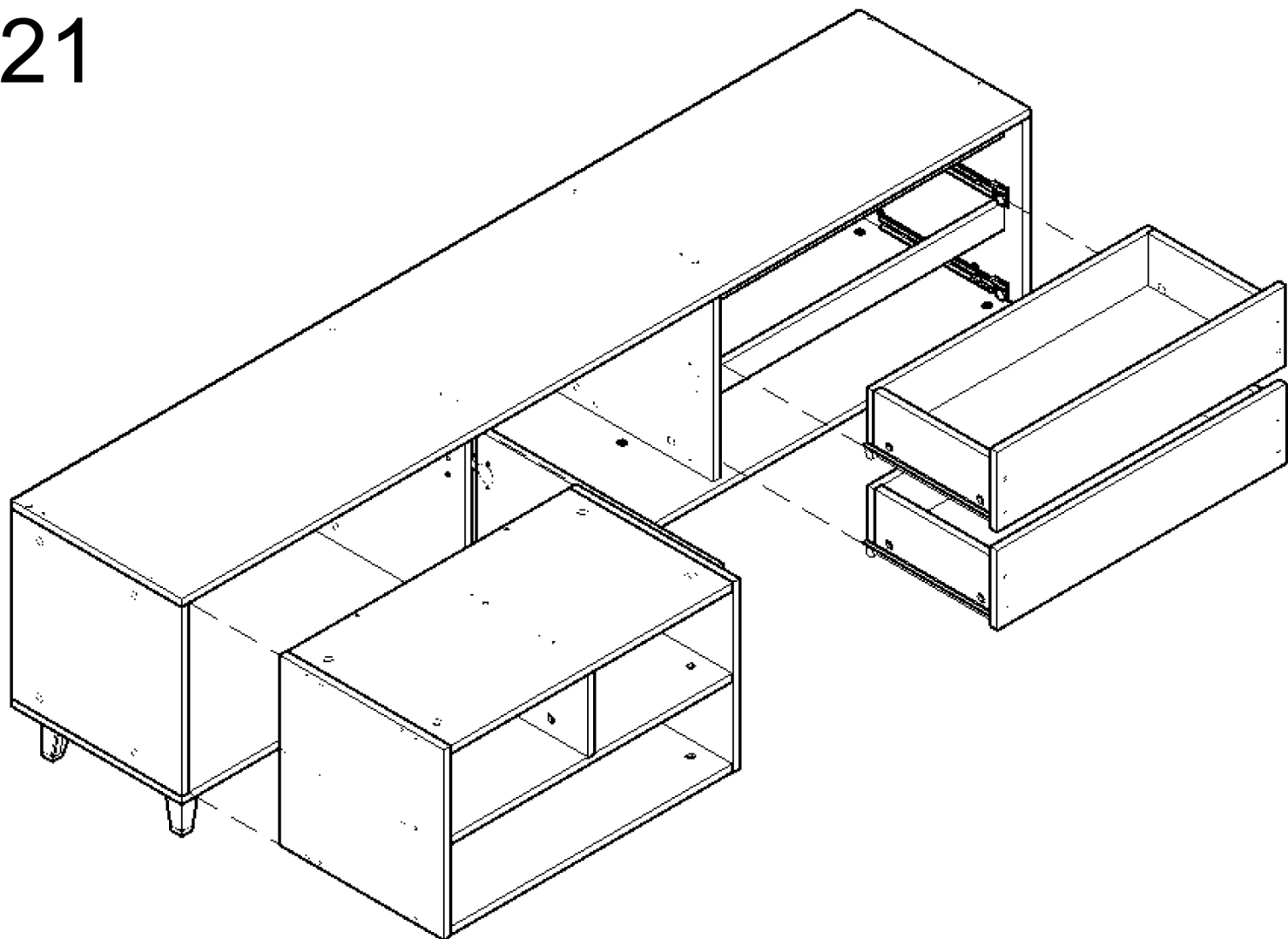
19



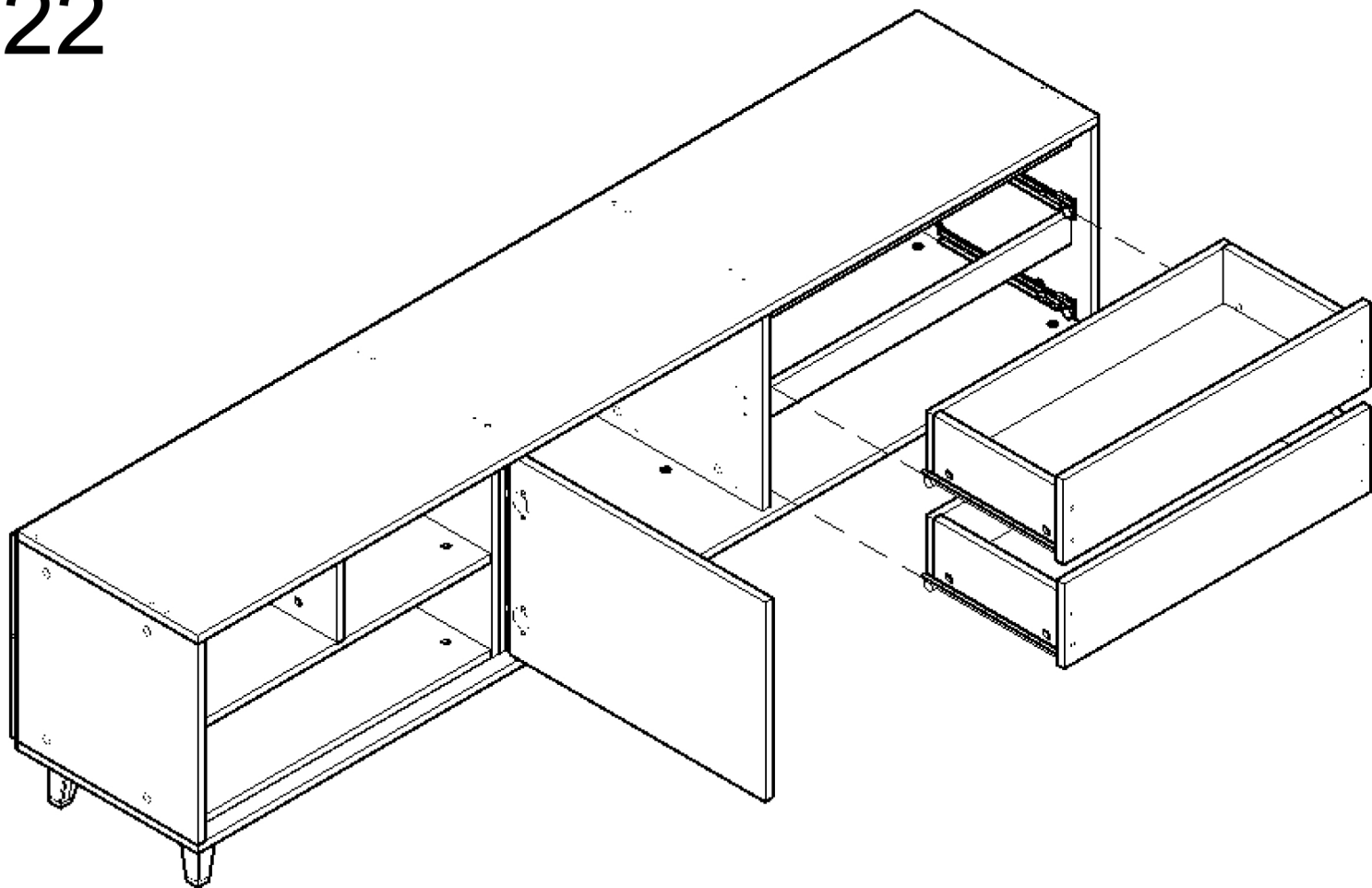
20



21

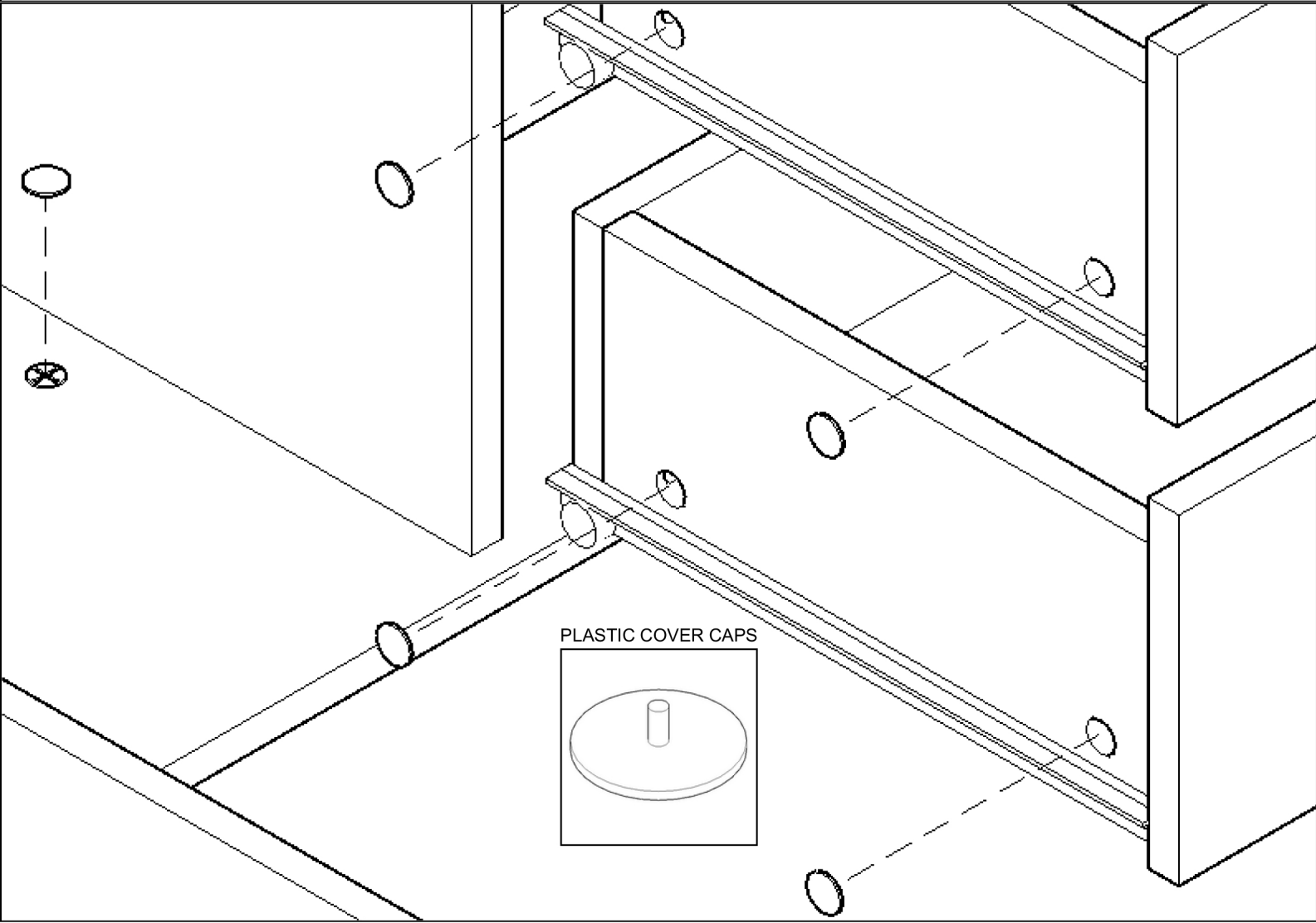
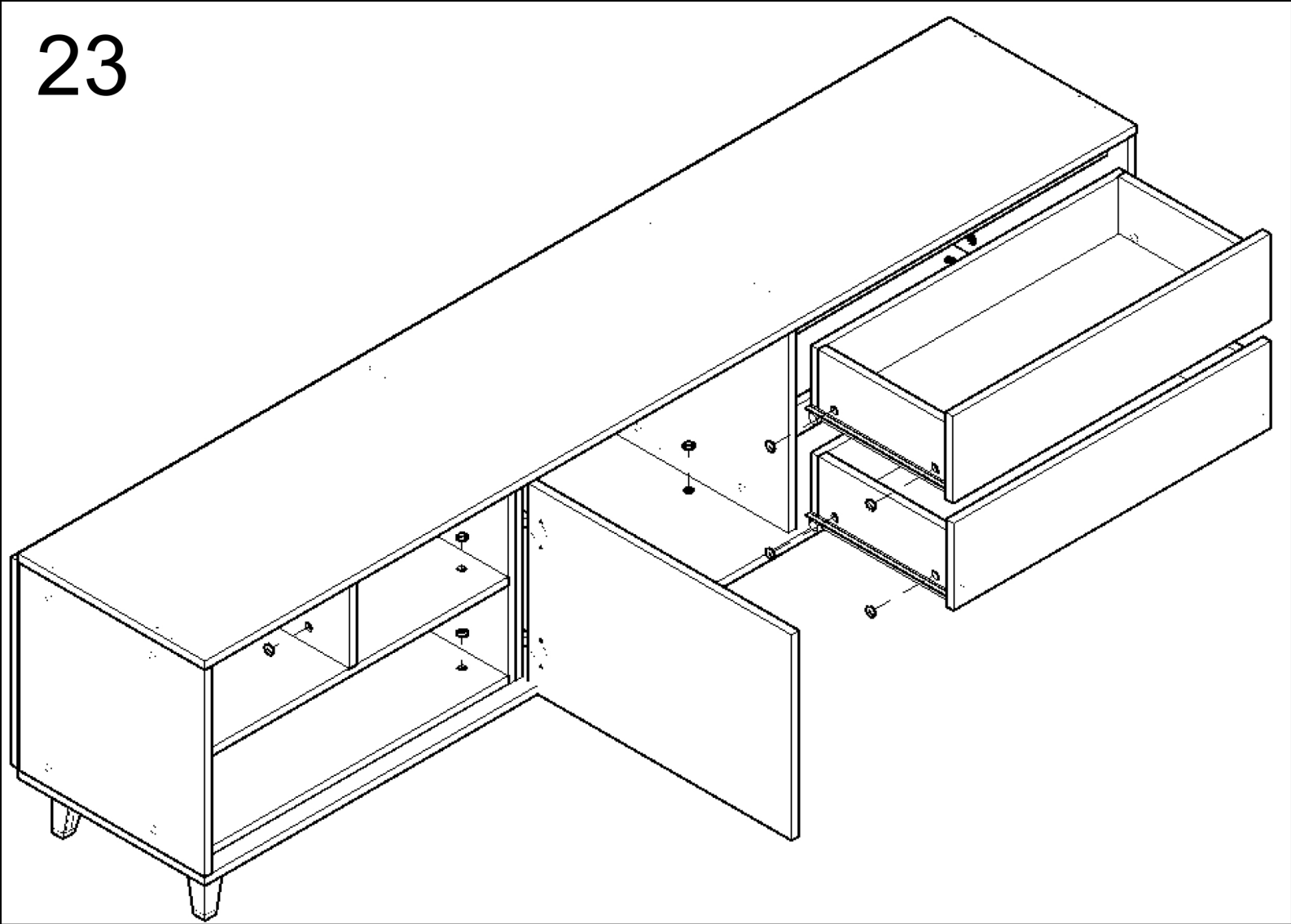


22





23



PLASTIC COVER CAPS

