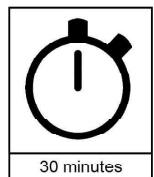
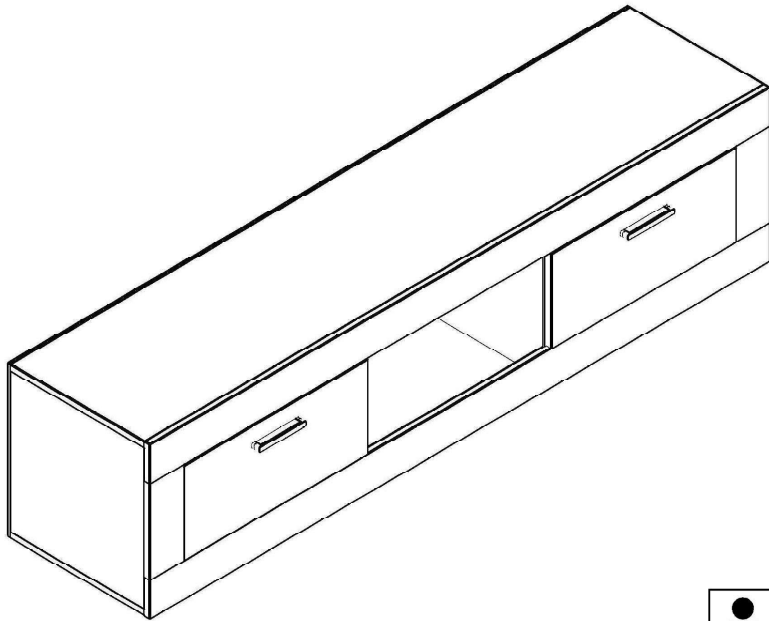
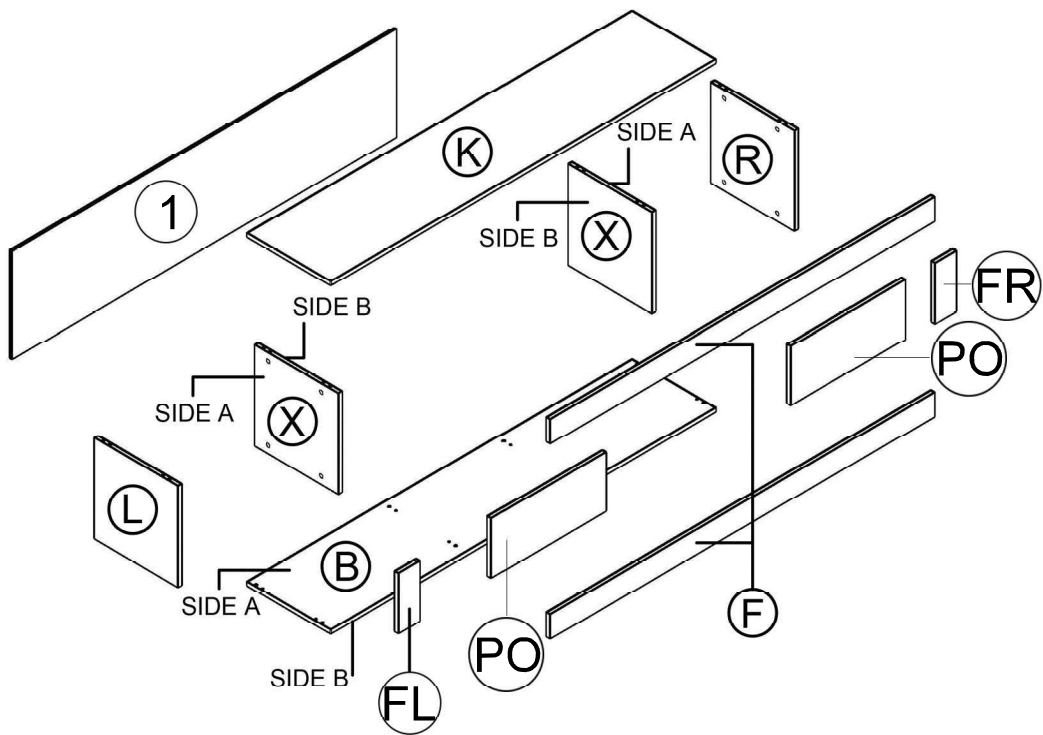
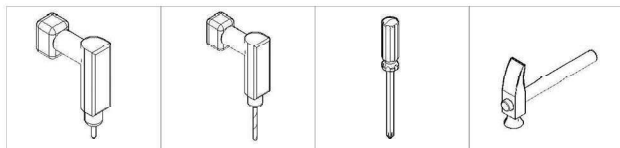


GRK 20





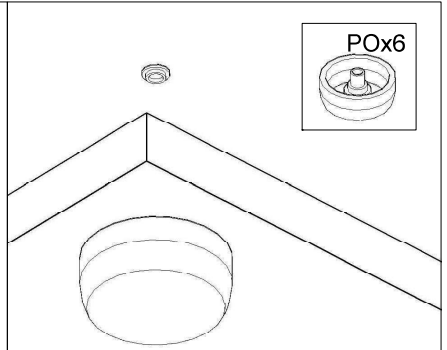
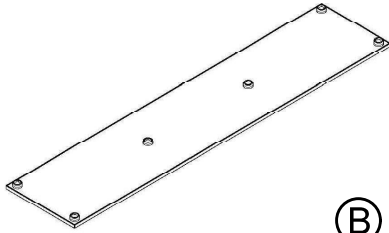
USING TOOLS



Fx16 	Kx16 	Px16 	Tx16 	BAPx4 	GPx12
B1x72 3.5x16	B2x4 4.0x30	MCx4 	Nx30 	POx6 	Hx2

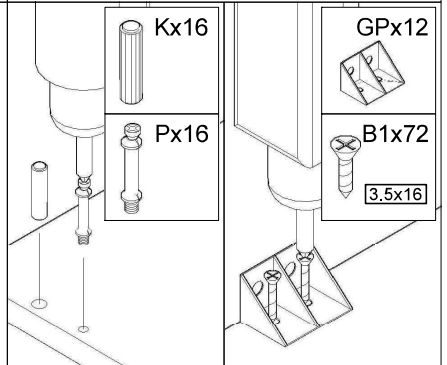
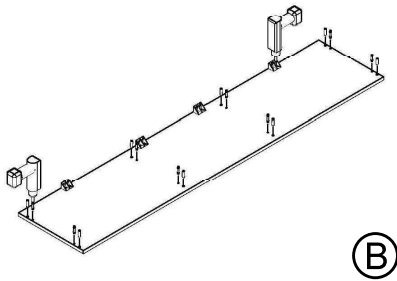
1

SIDE B

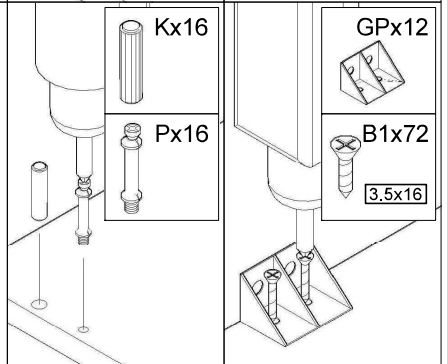
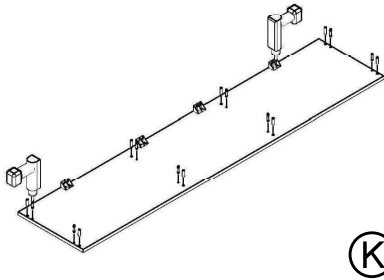


2

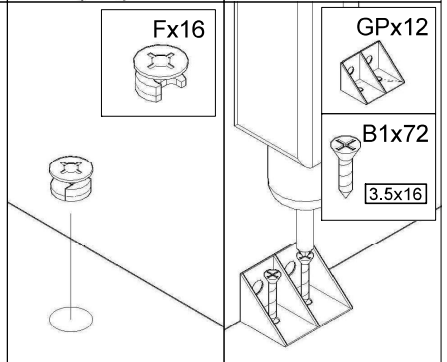
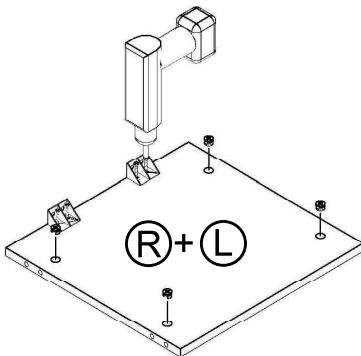
SIDE A



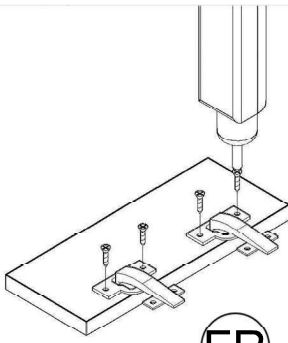
3



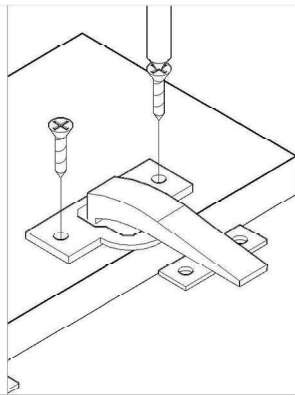
4



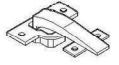
5



FR FL



MCx4

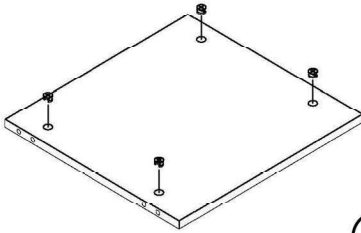


B1x72

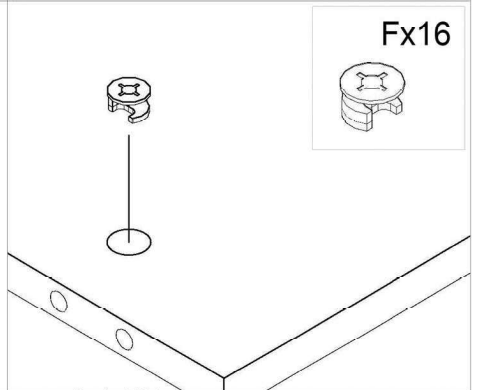


3.5x16

6



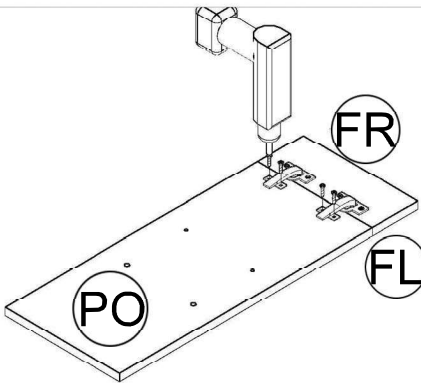
X



Fx16



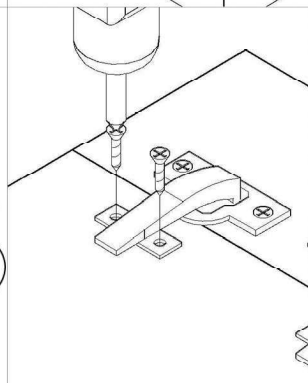
7



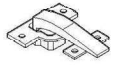
FR

FL

PO



MCx4

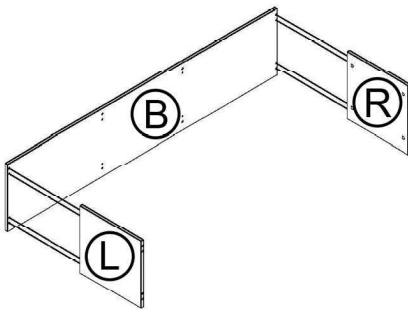


B1x72



3.5x16

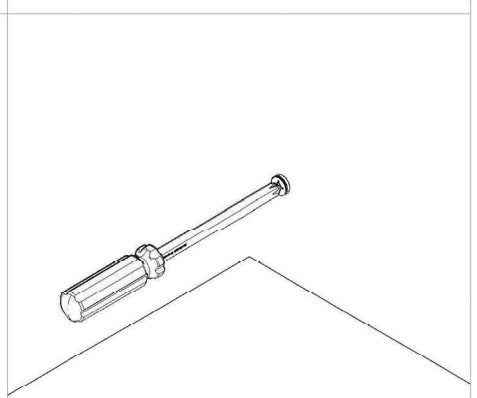
8



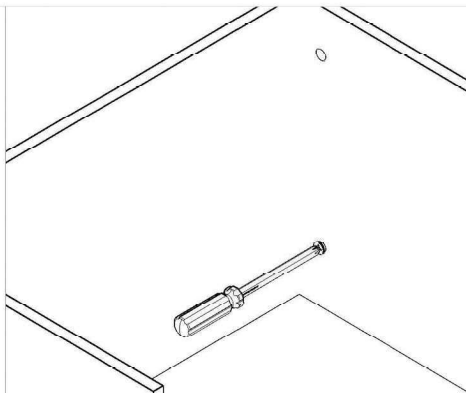
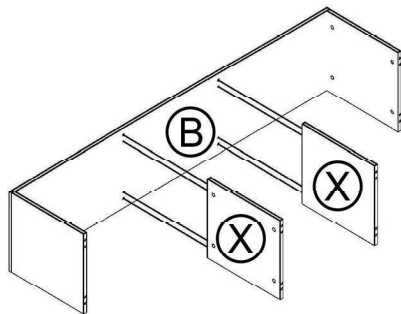
B

R

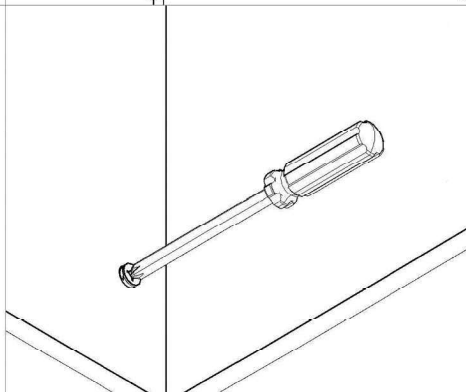
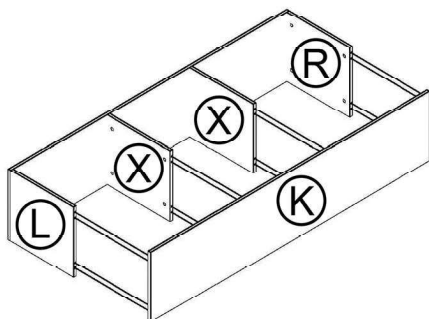
L



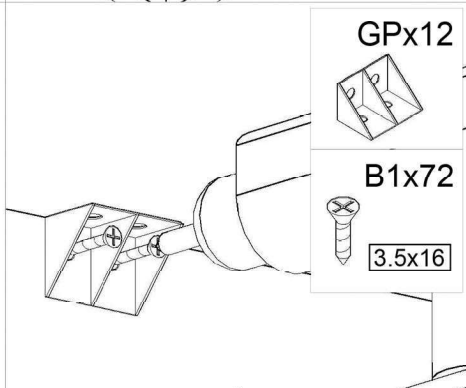
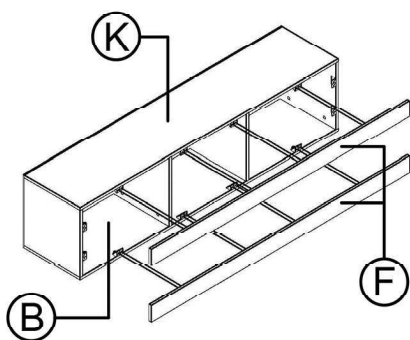
9



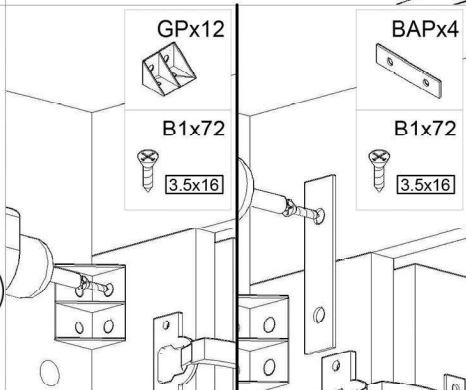
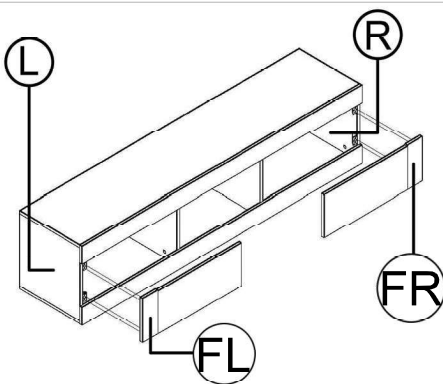
10



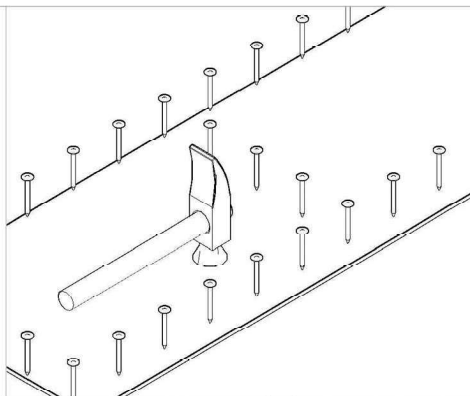
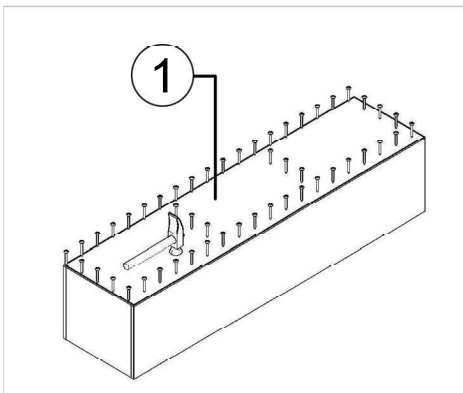
11



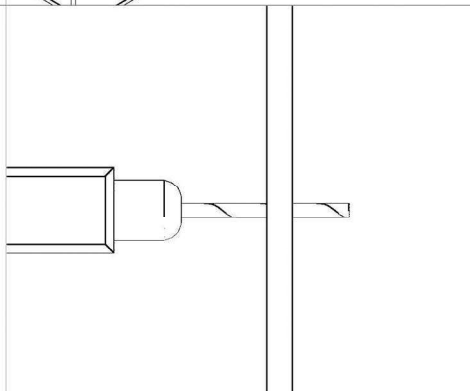
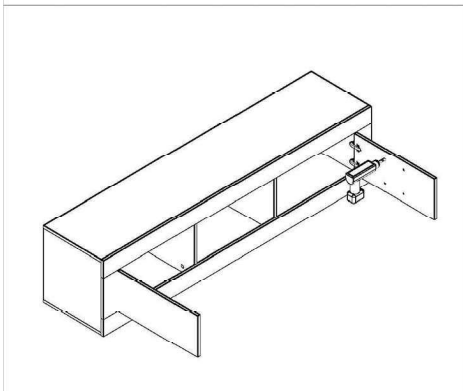
12



13



14



15

