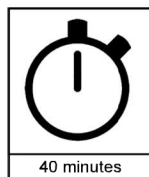
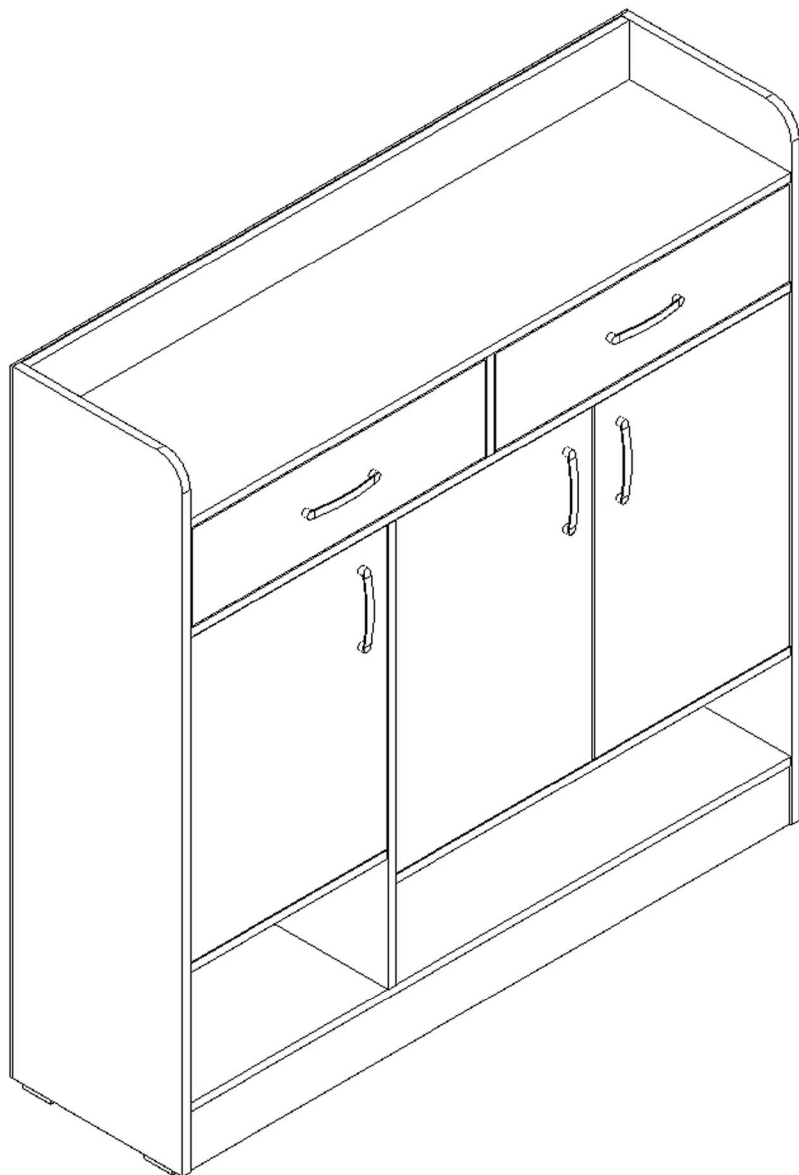
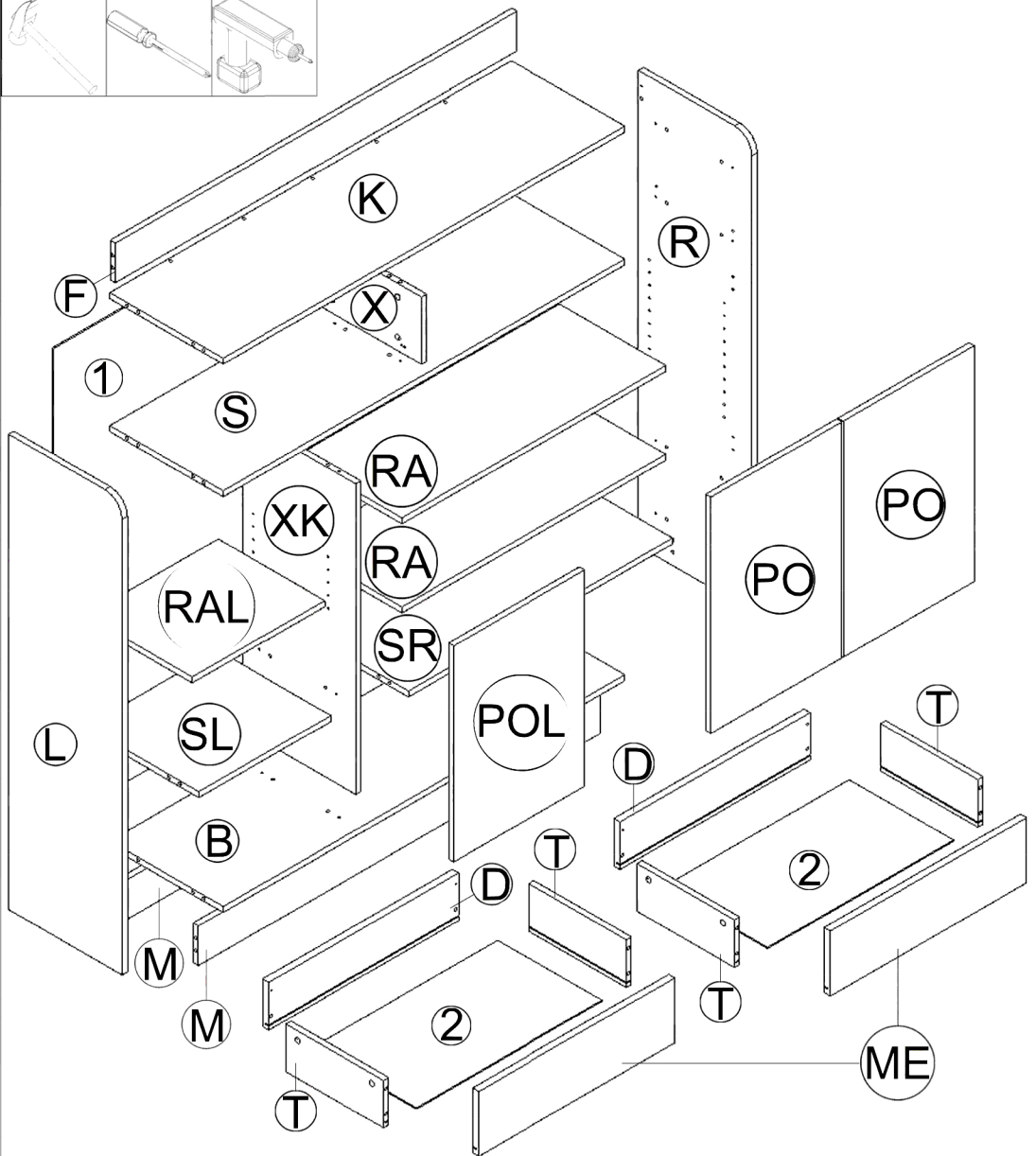
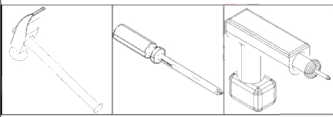


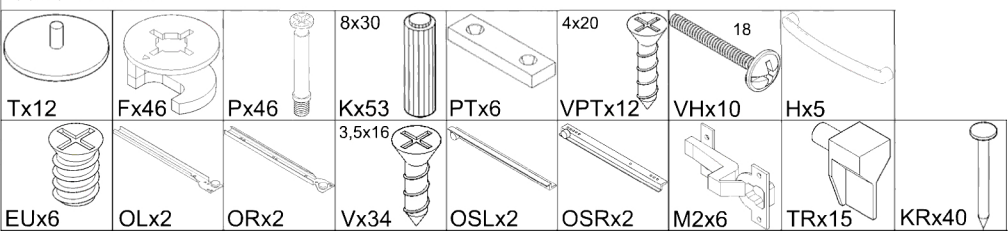
GRK 235

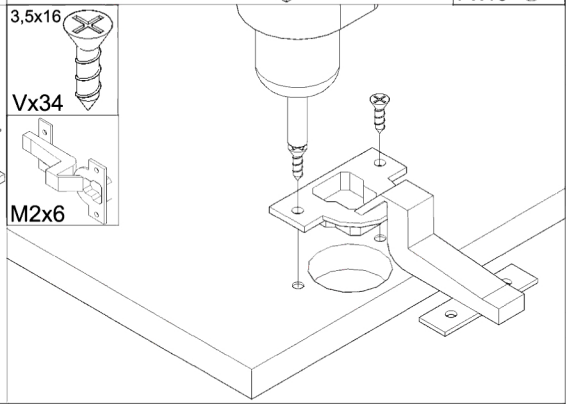
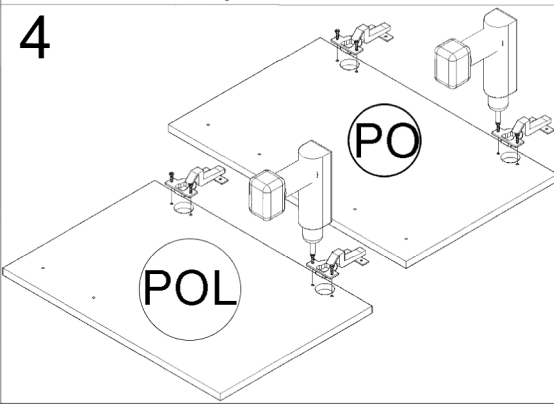
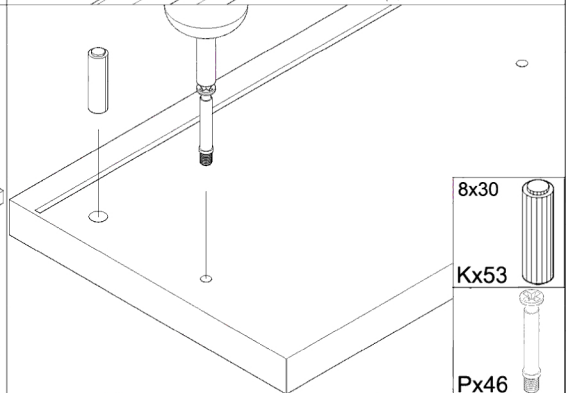
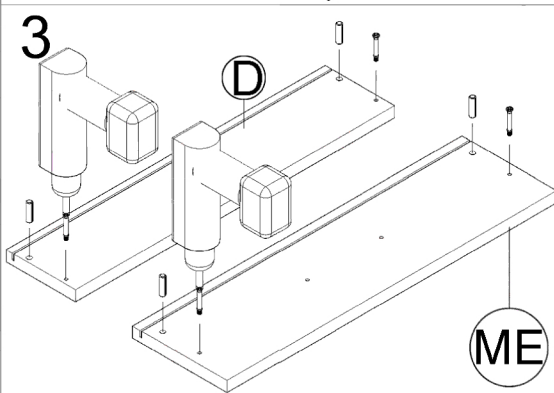
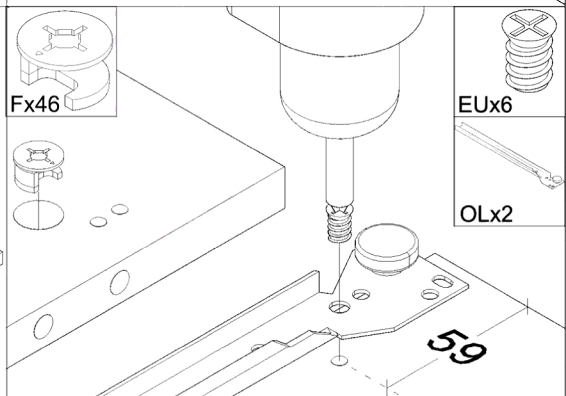
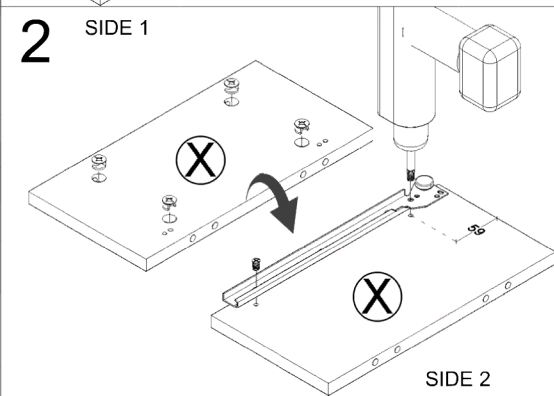
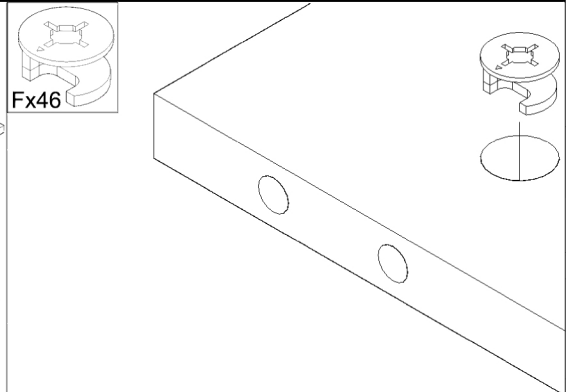
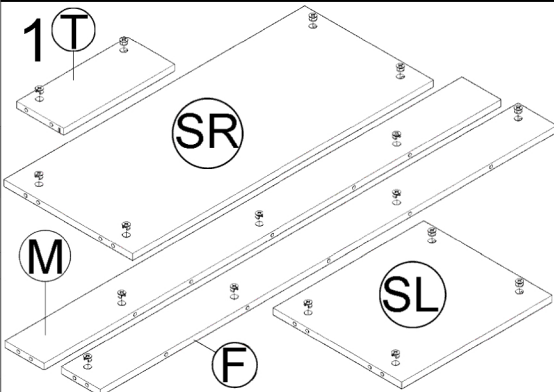


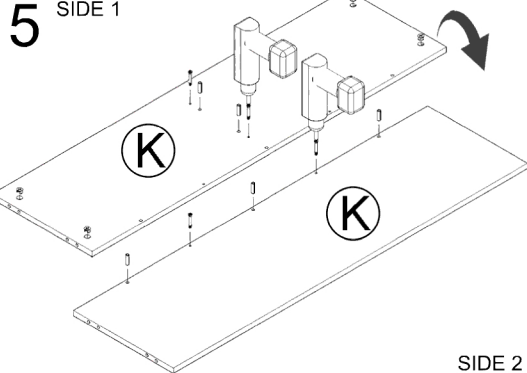
USING TOOLS



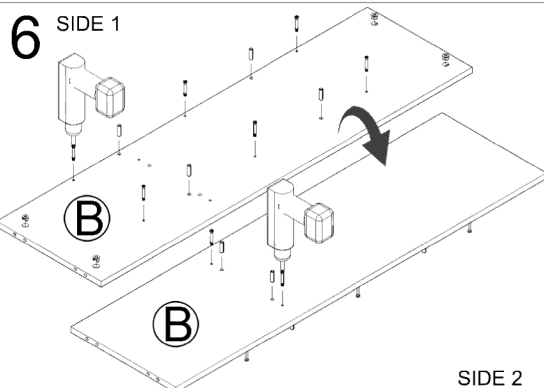
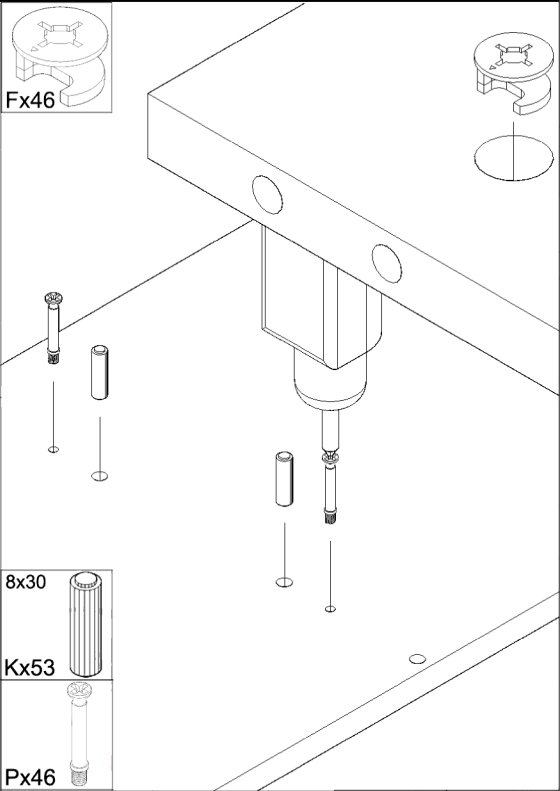
USING HARDWARE



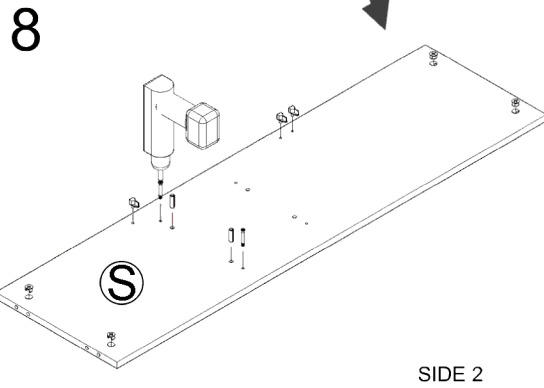
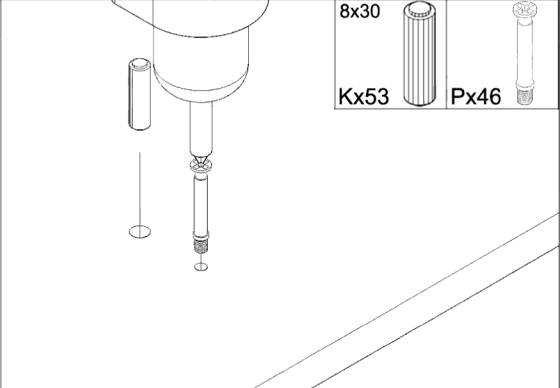
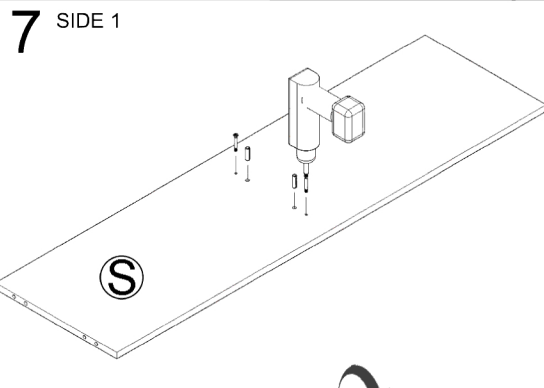
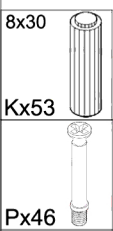




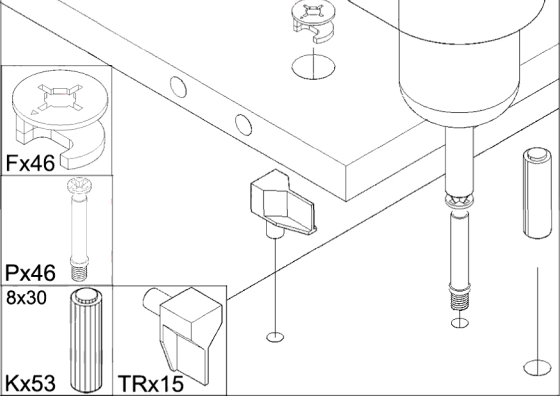
SIDE 2



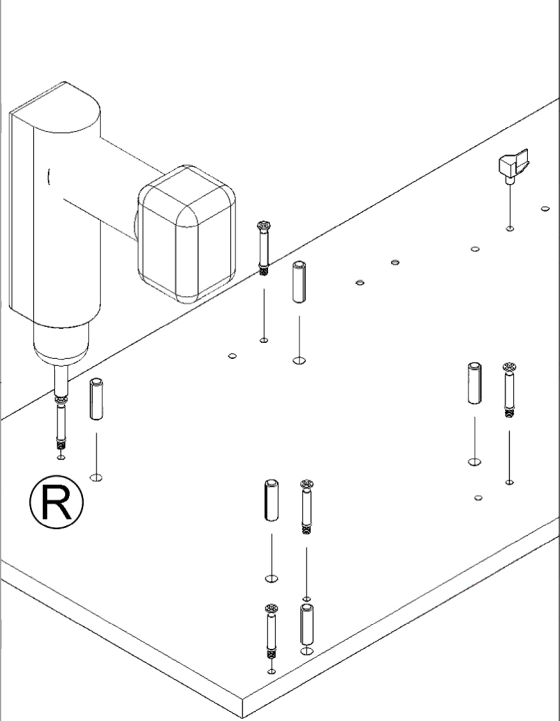
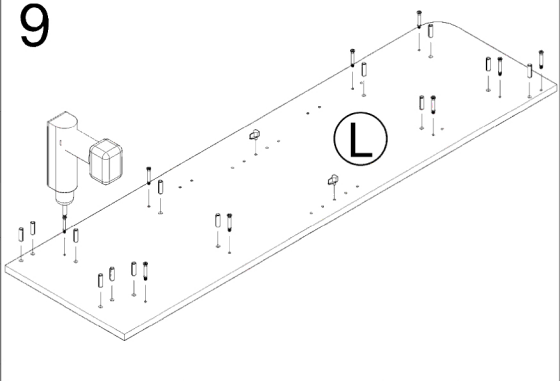
SIDE 2



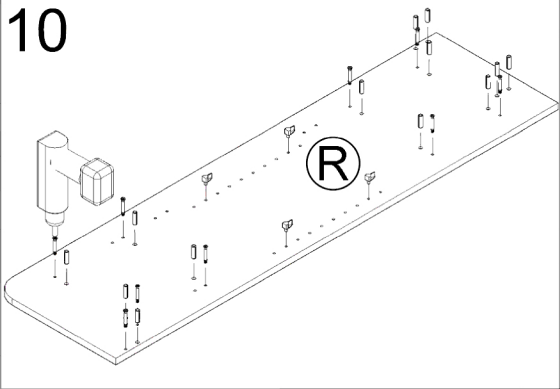
SIDE 2



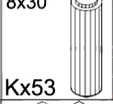
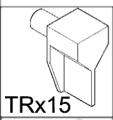
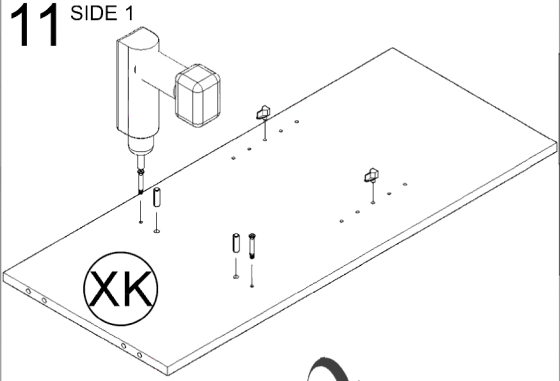
9



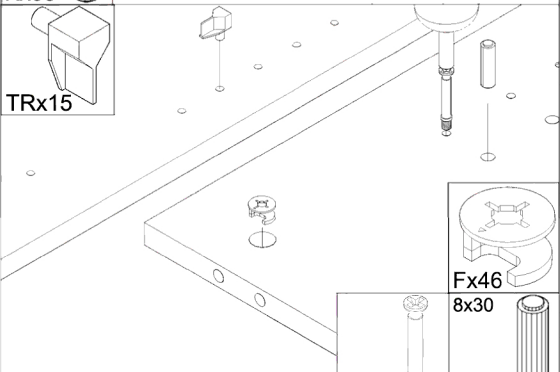
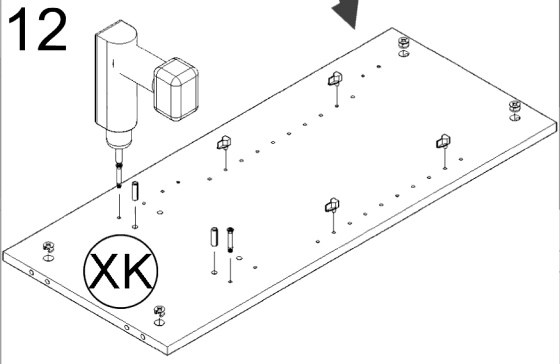
10



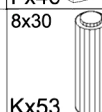
11 SIDE 1



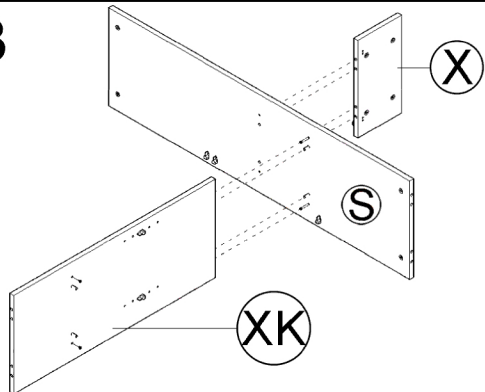
12



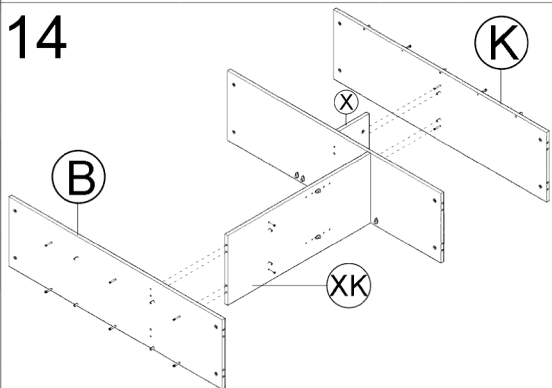
SIDE 2



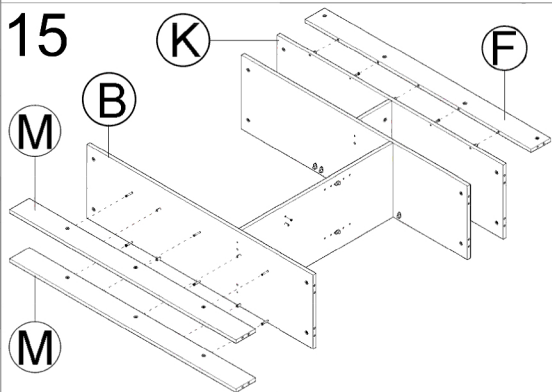
13



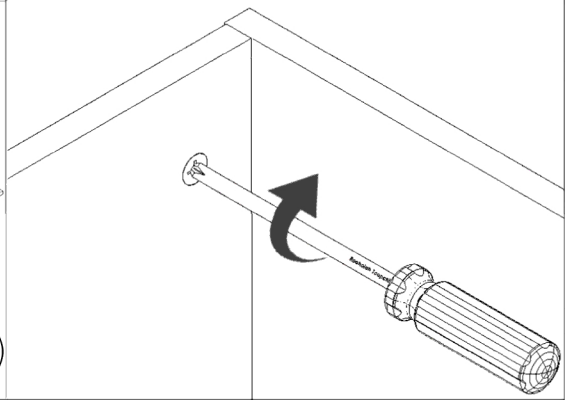
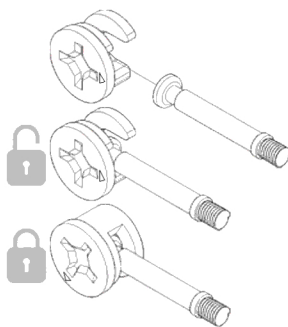
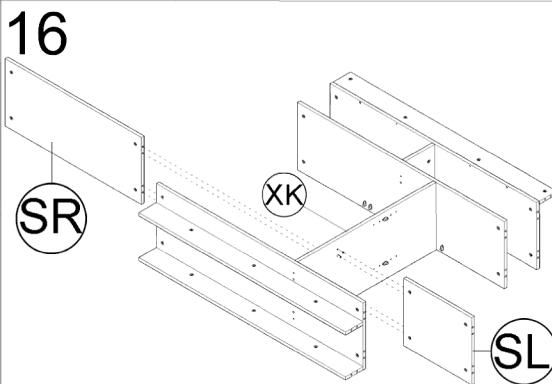
14

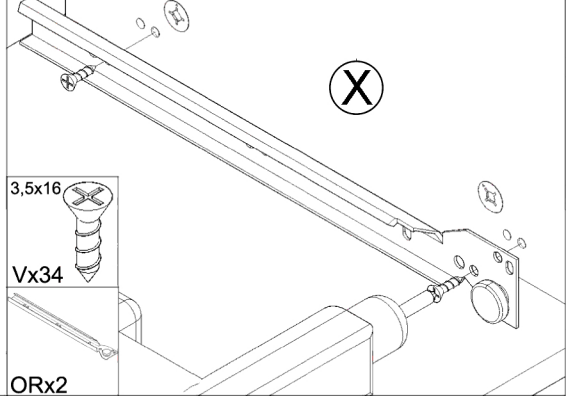
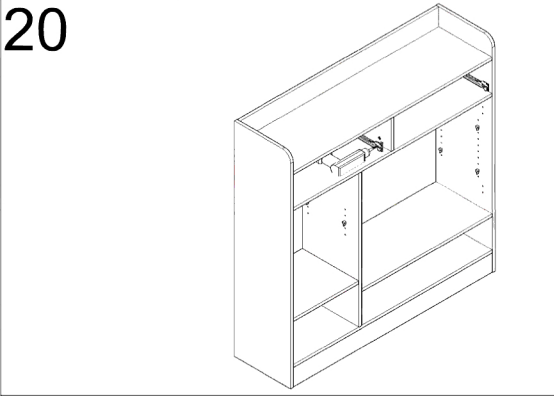
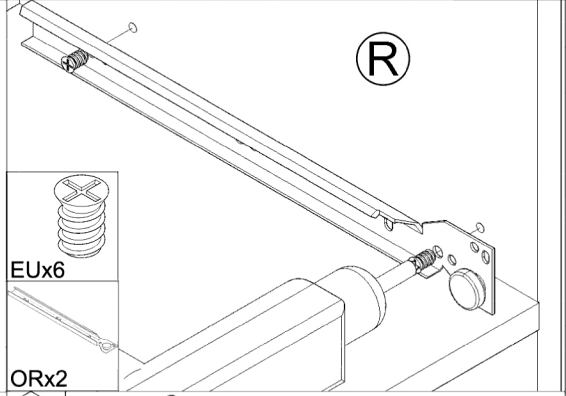
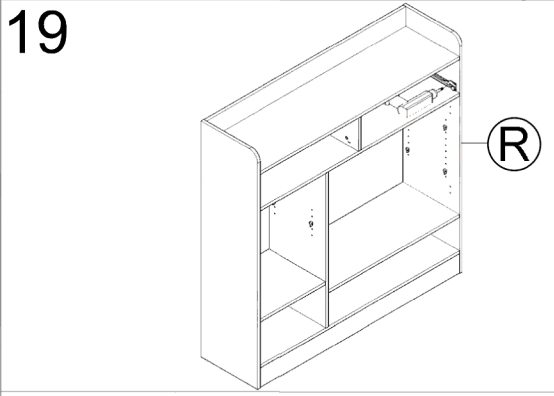
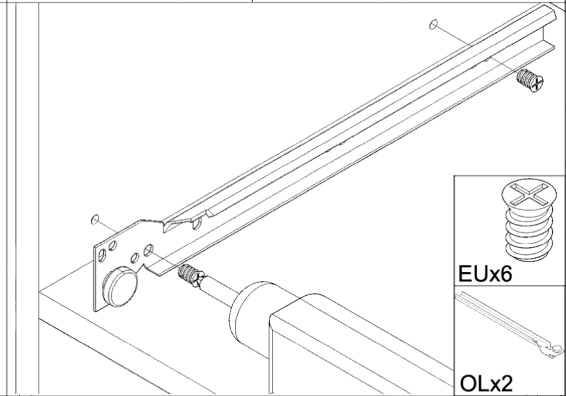
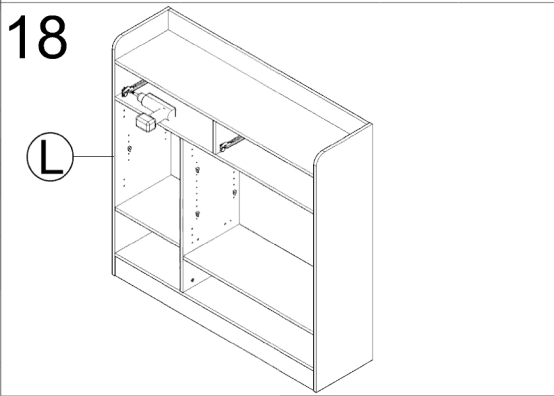
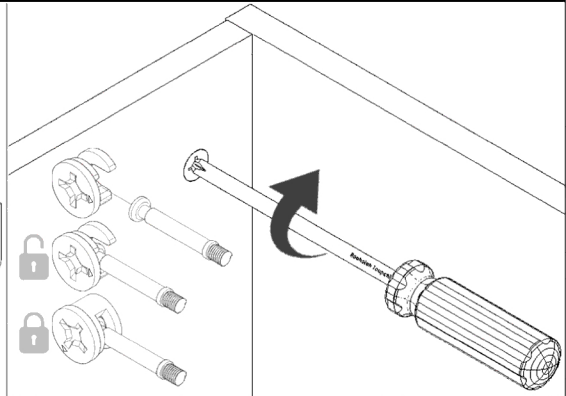
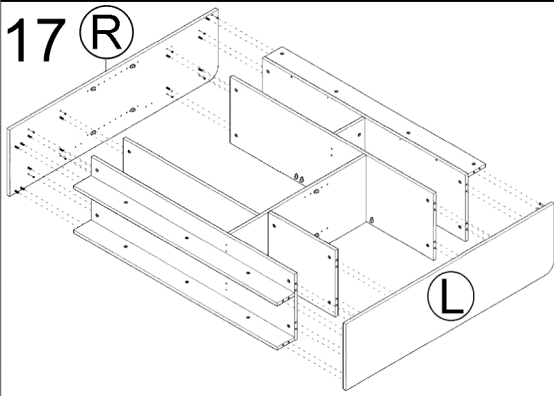


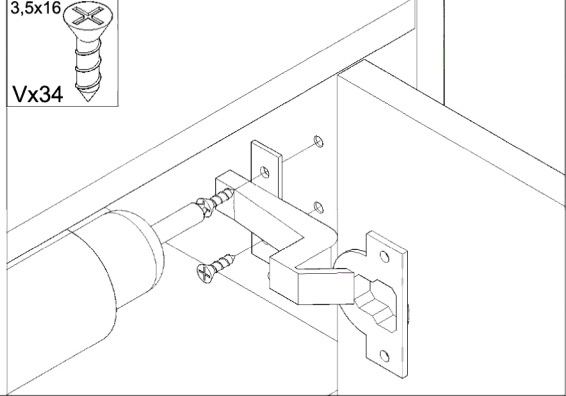
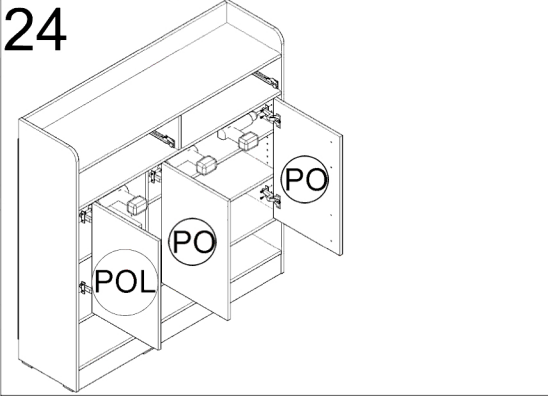
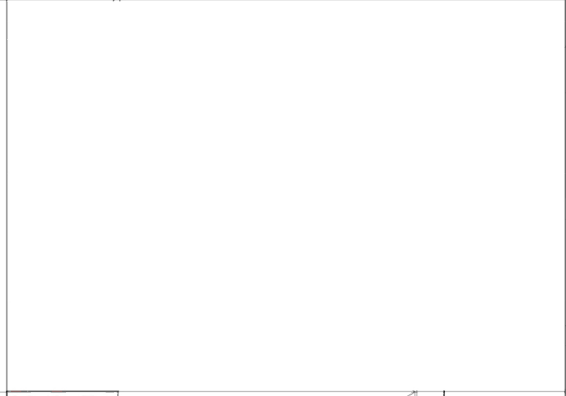
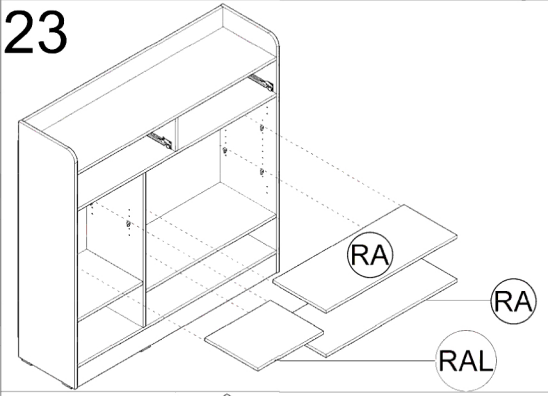
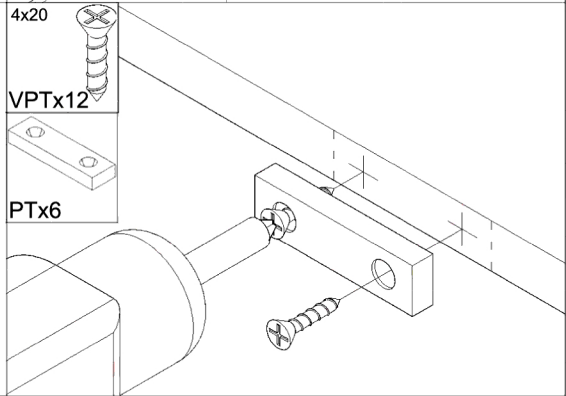
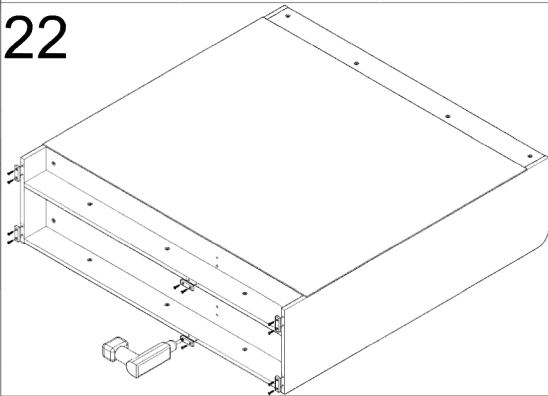
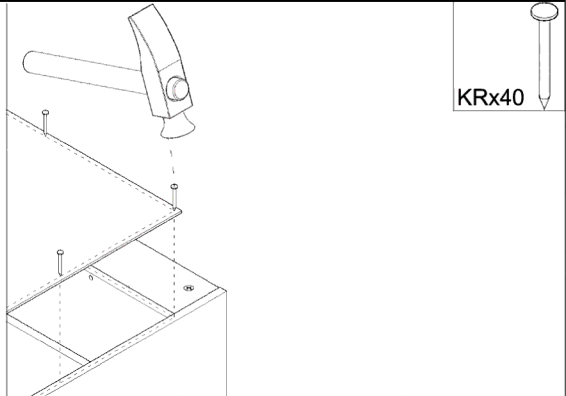
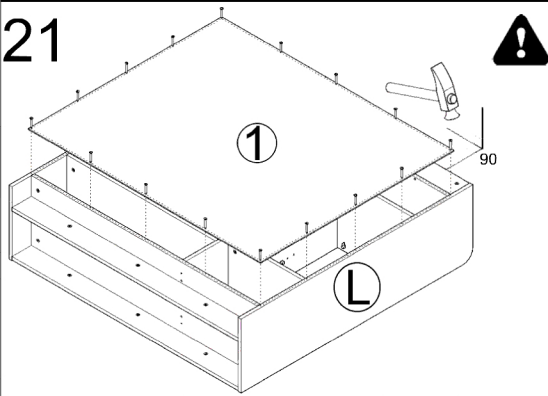
15



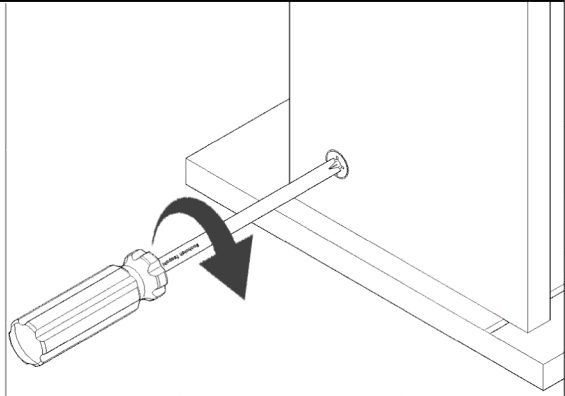
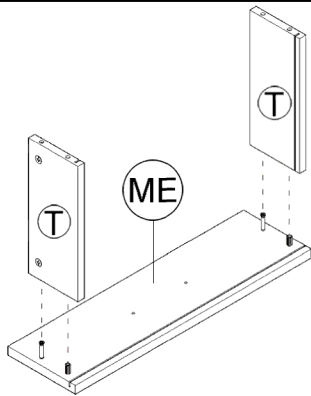
16



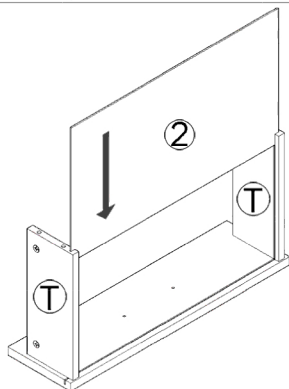




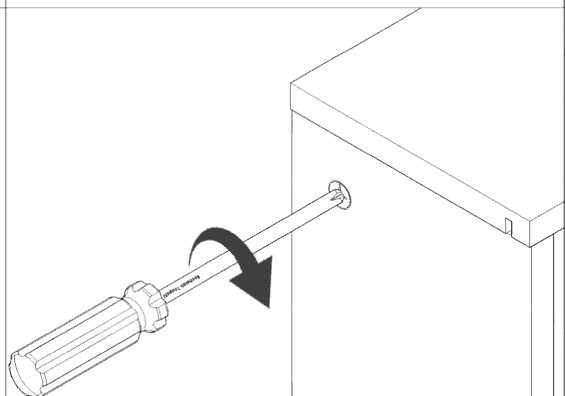
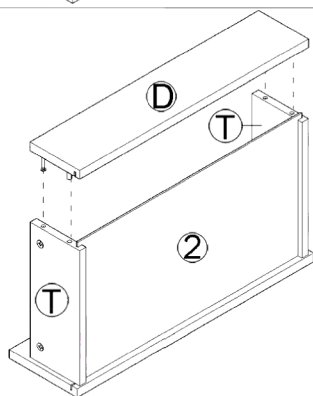
25



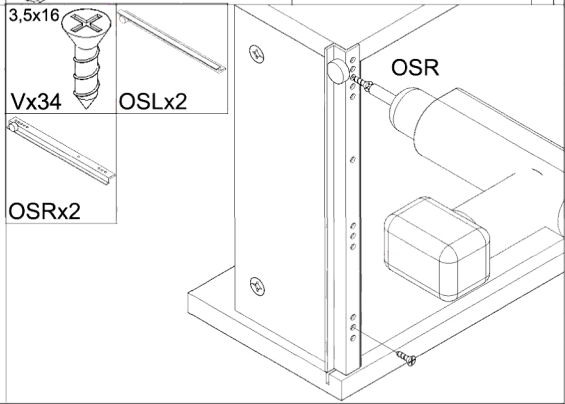
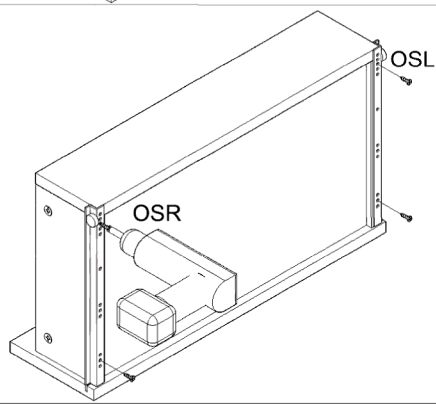
26



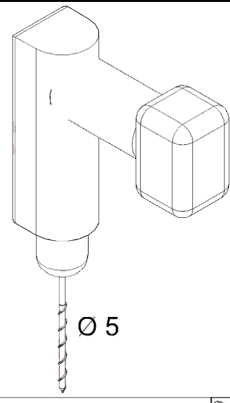
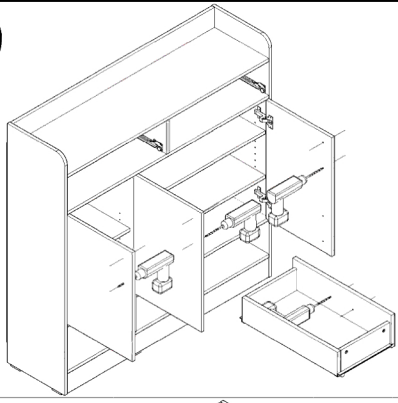
27



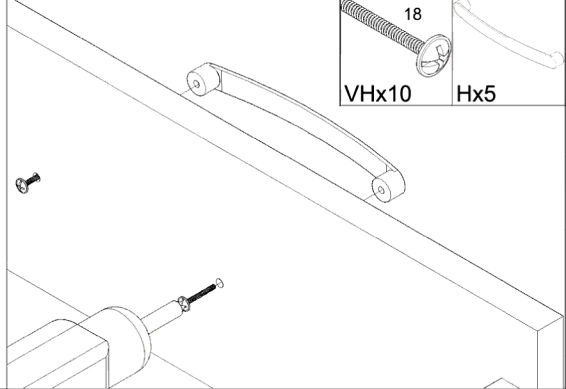
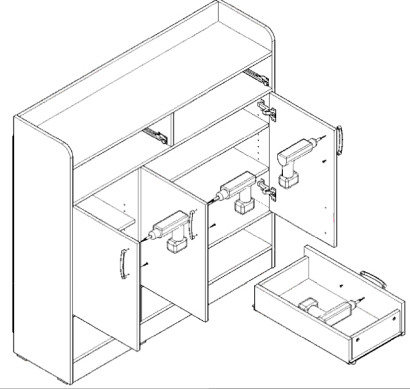
28



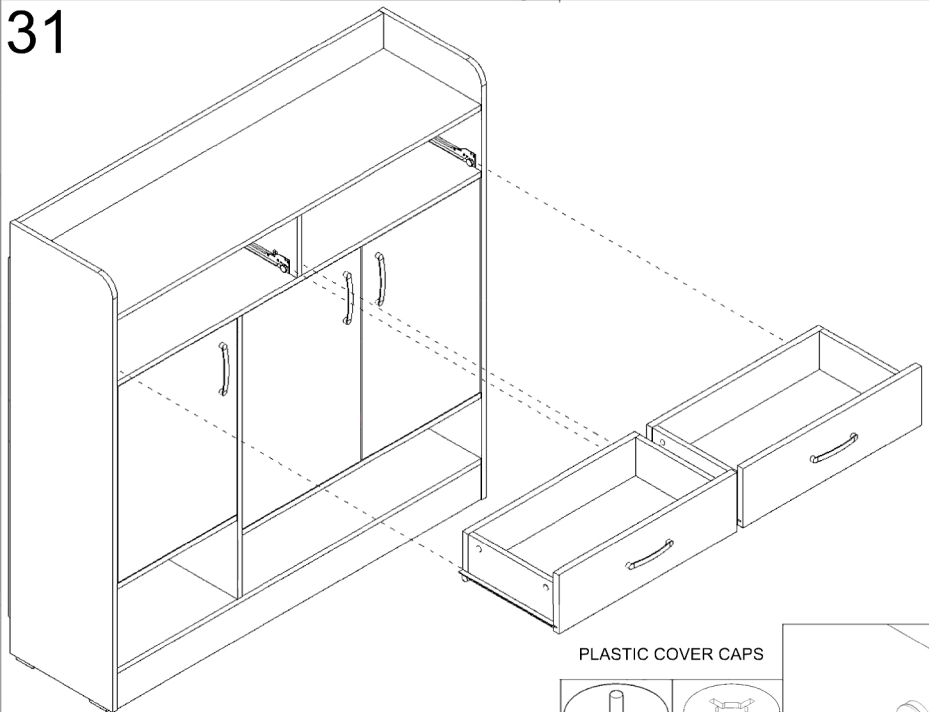
29



30



31



PLASTIC COVER CAPS

