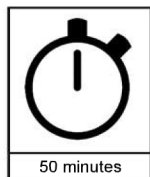
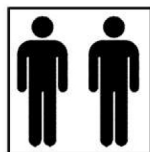
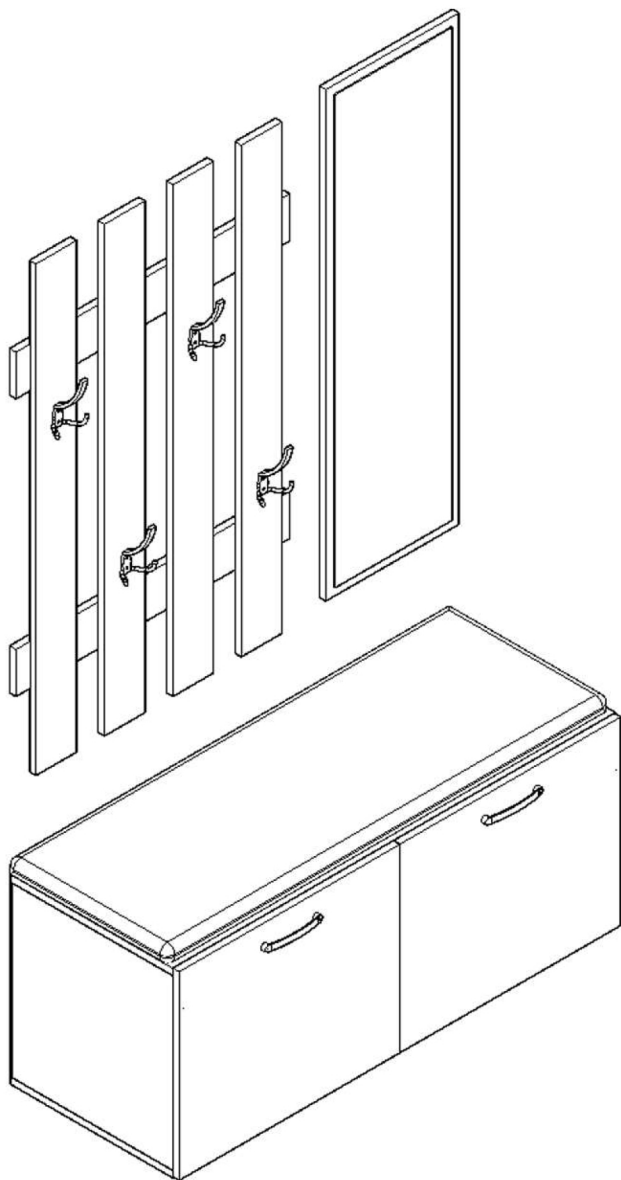
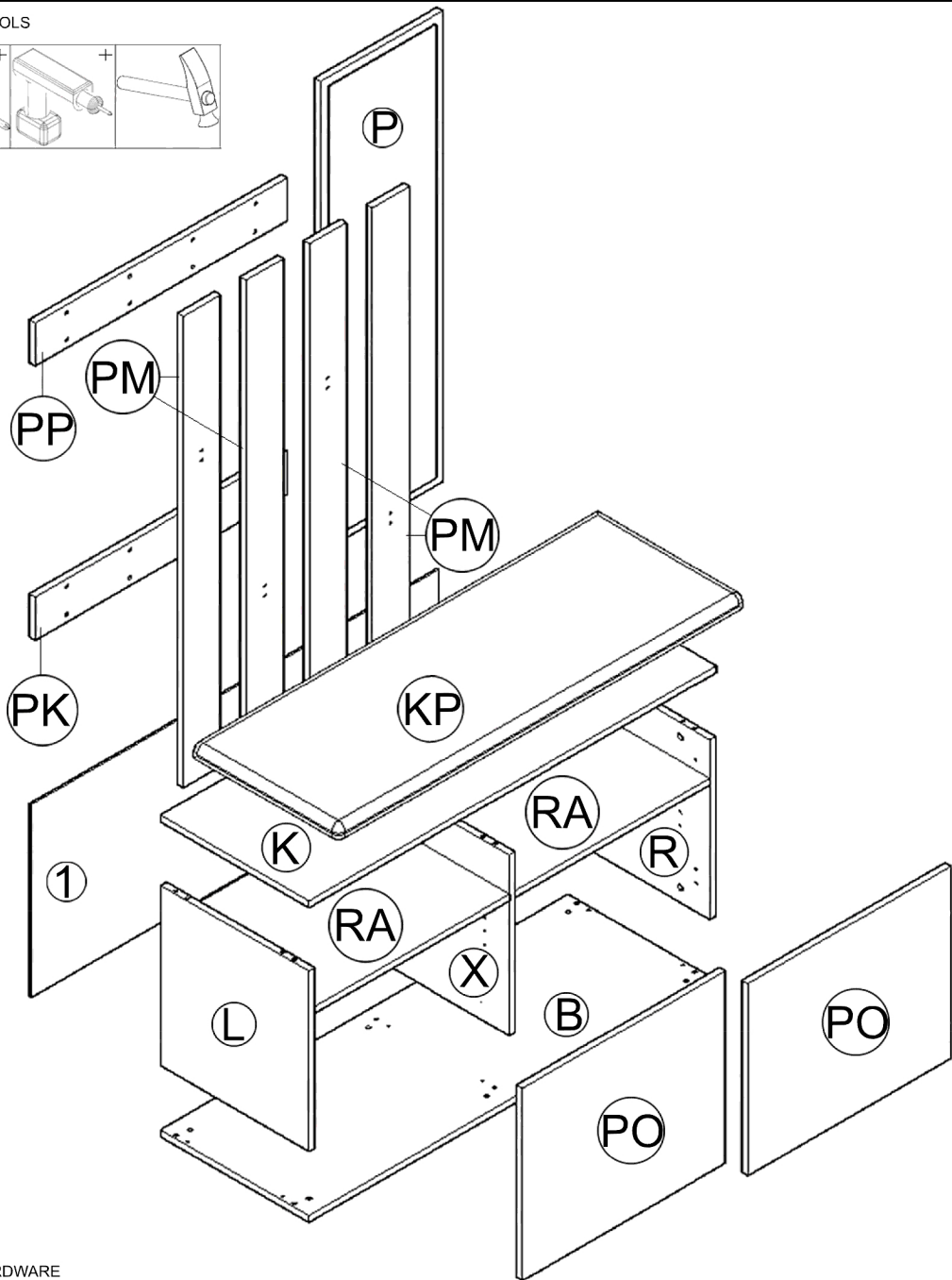
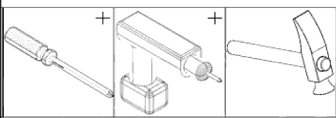


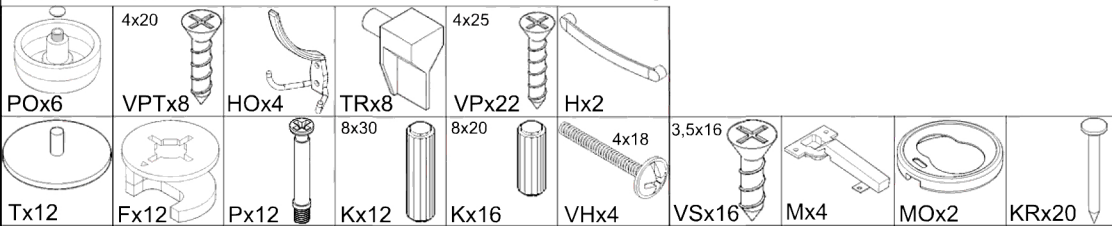
GRK 261

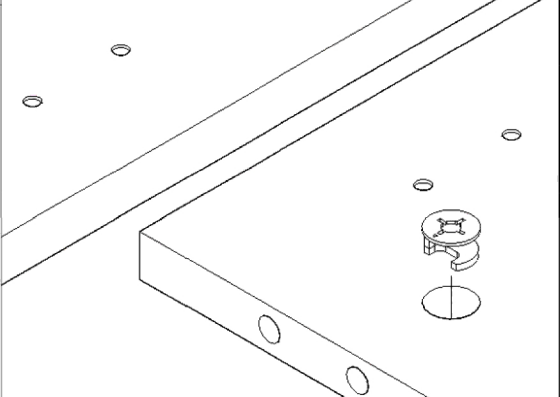
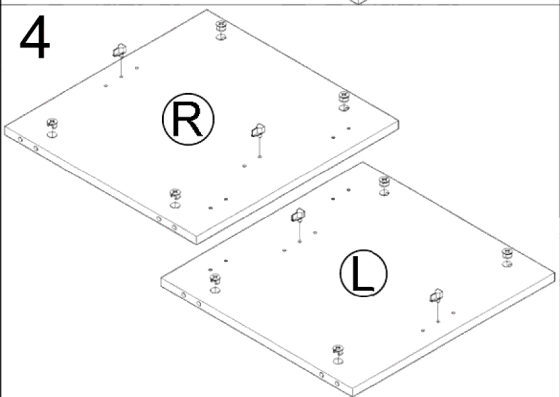
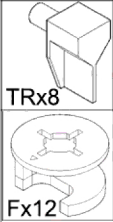
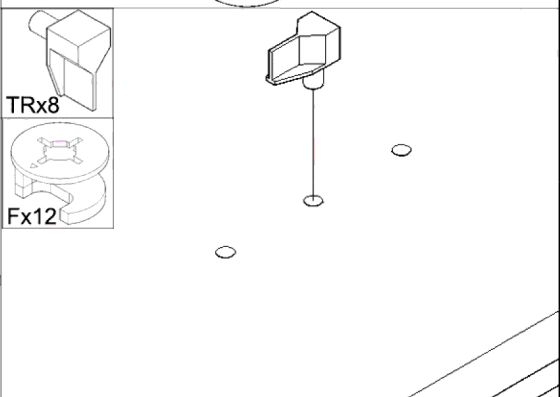
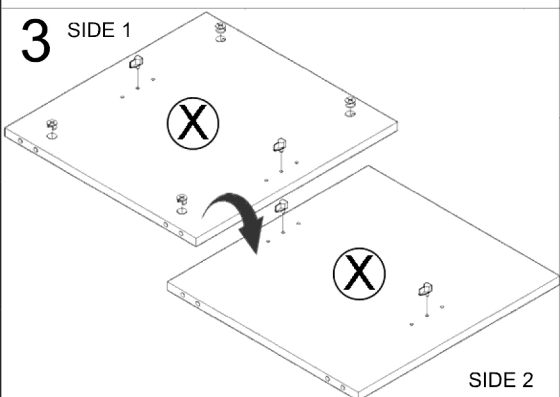
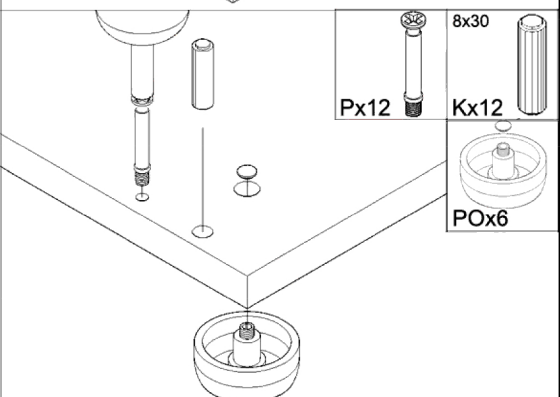
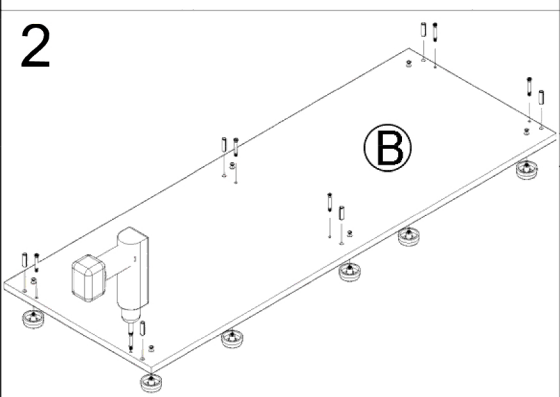
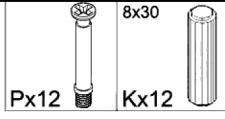
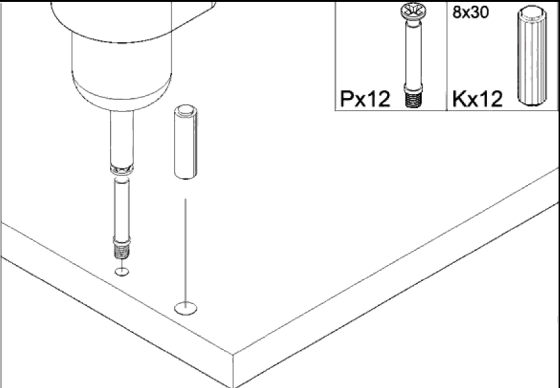
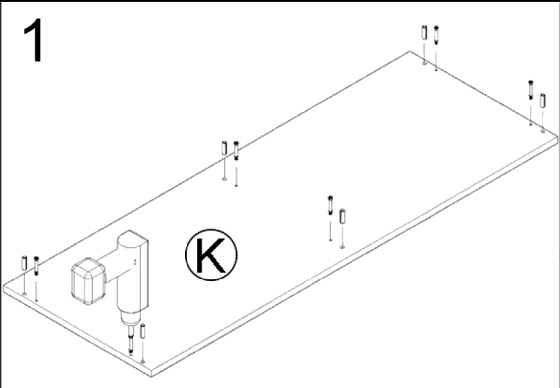


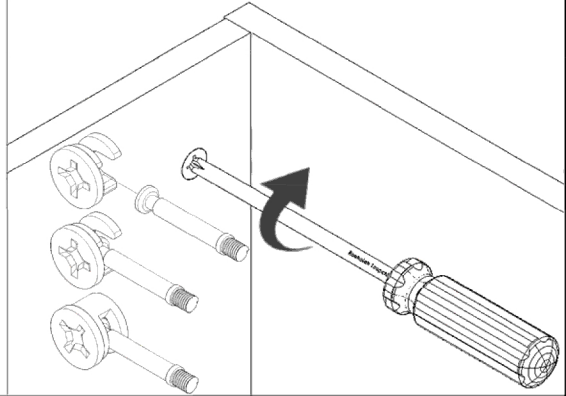
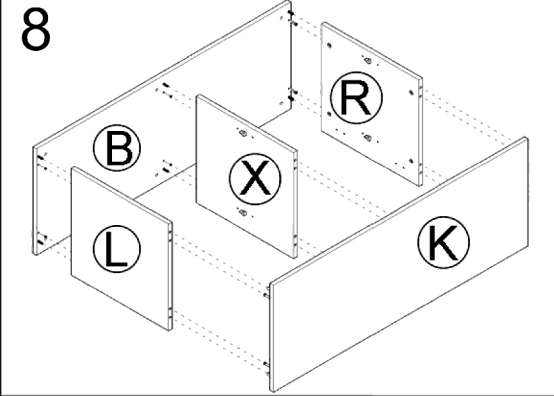
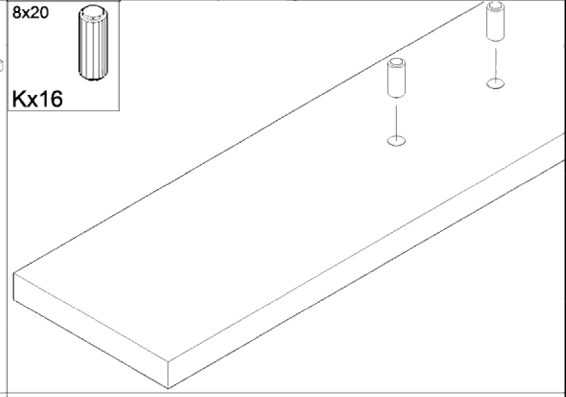
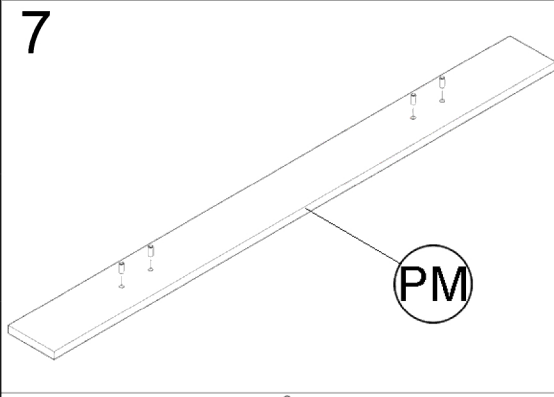
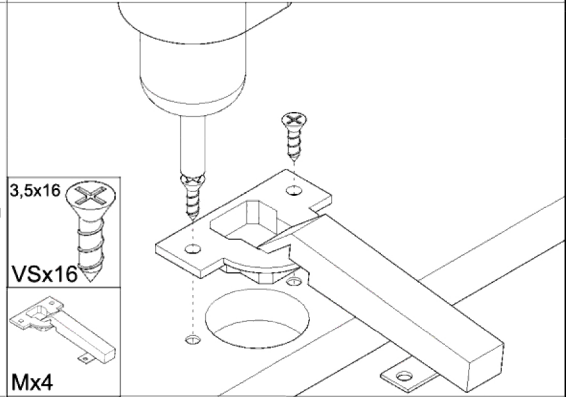
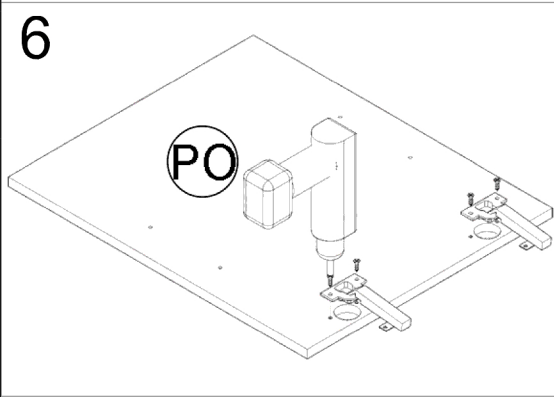
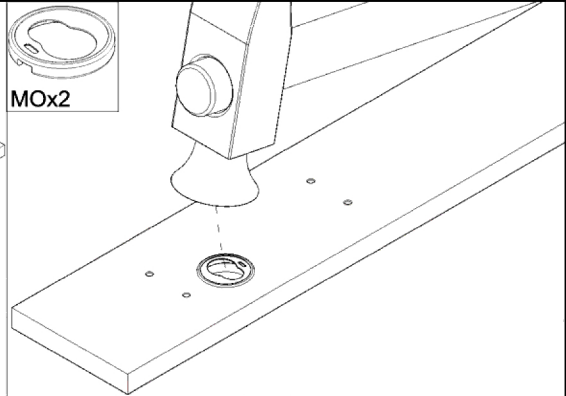
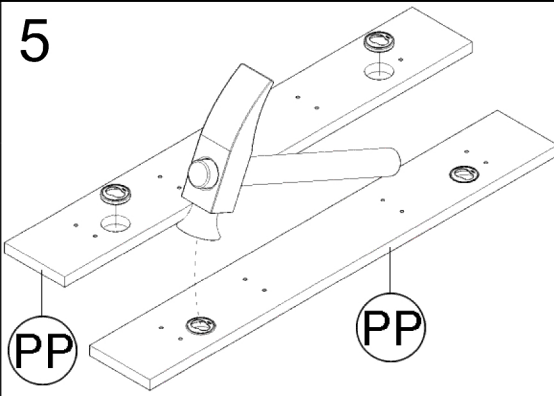
USING TOOLS



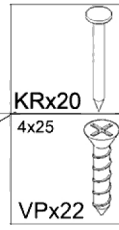
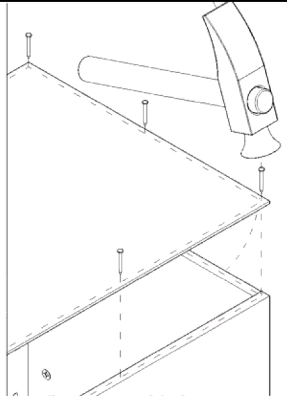
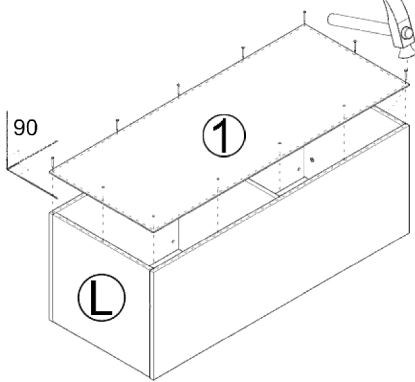
USING HARDWARE



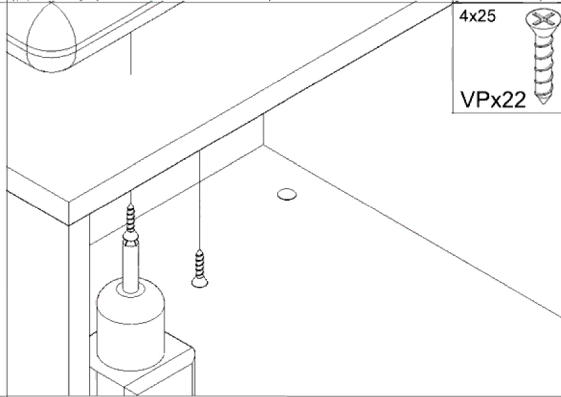
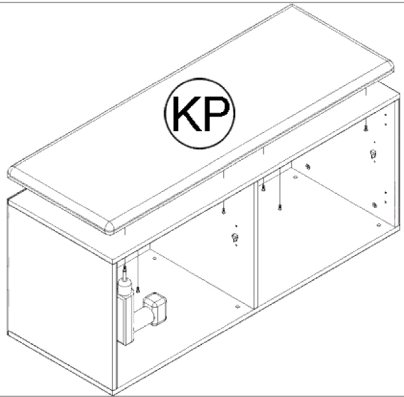




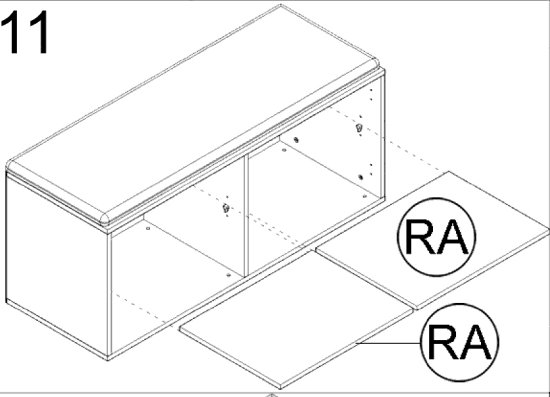
9



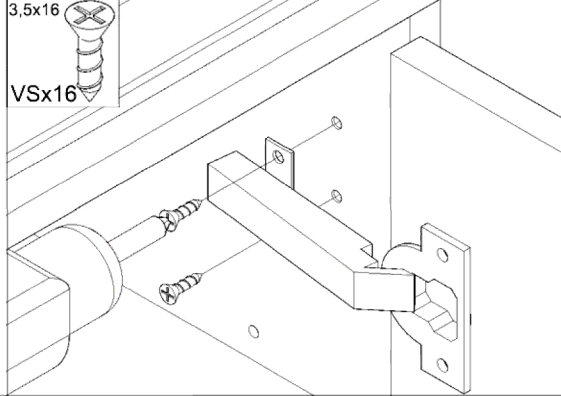
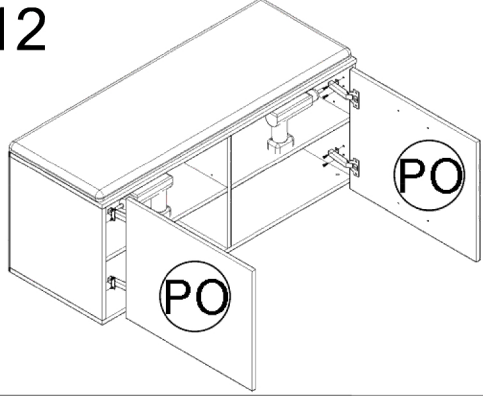
10



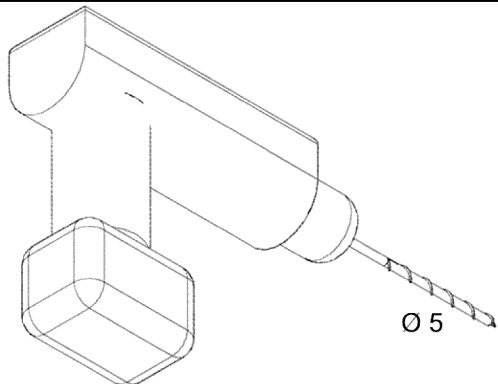
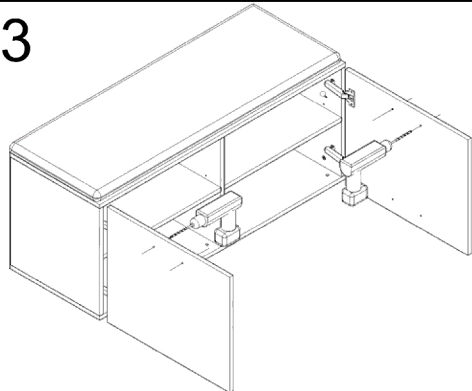
11



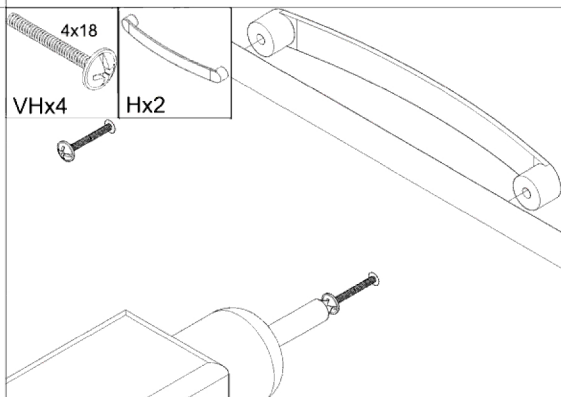
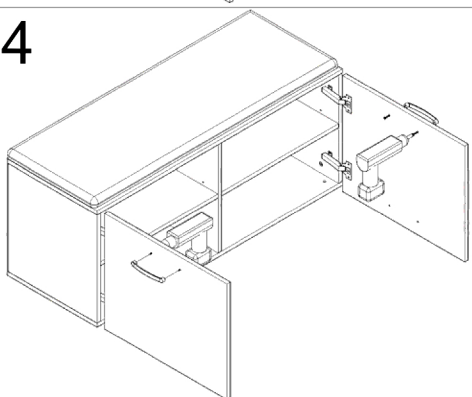
12



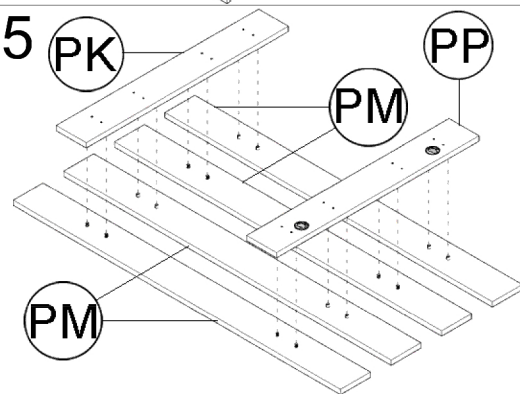
13



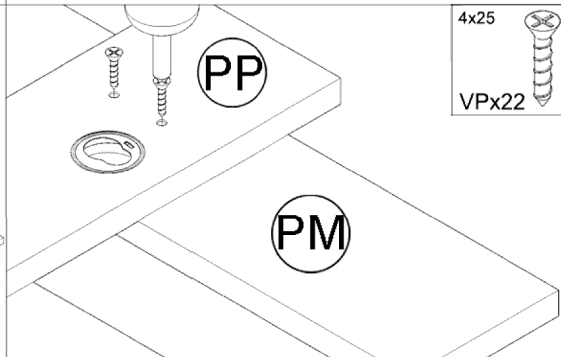
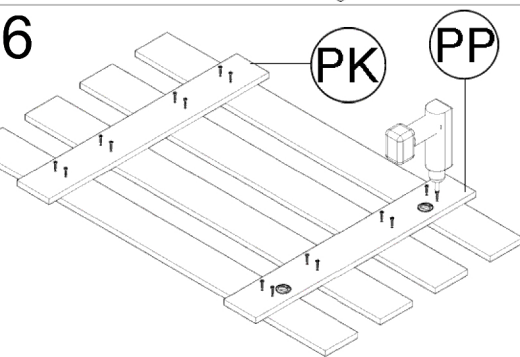
14



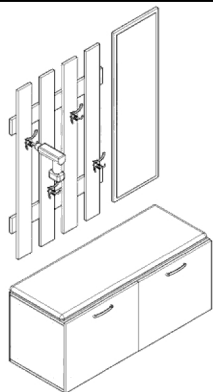
15



16



17



4x20

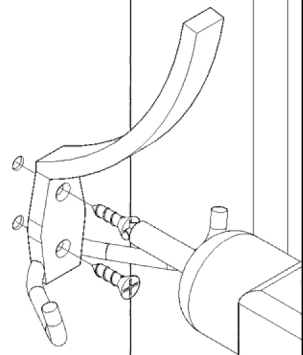


VPTx8

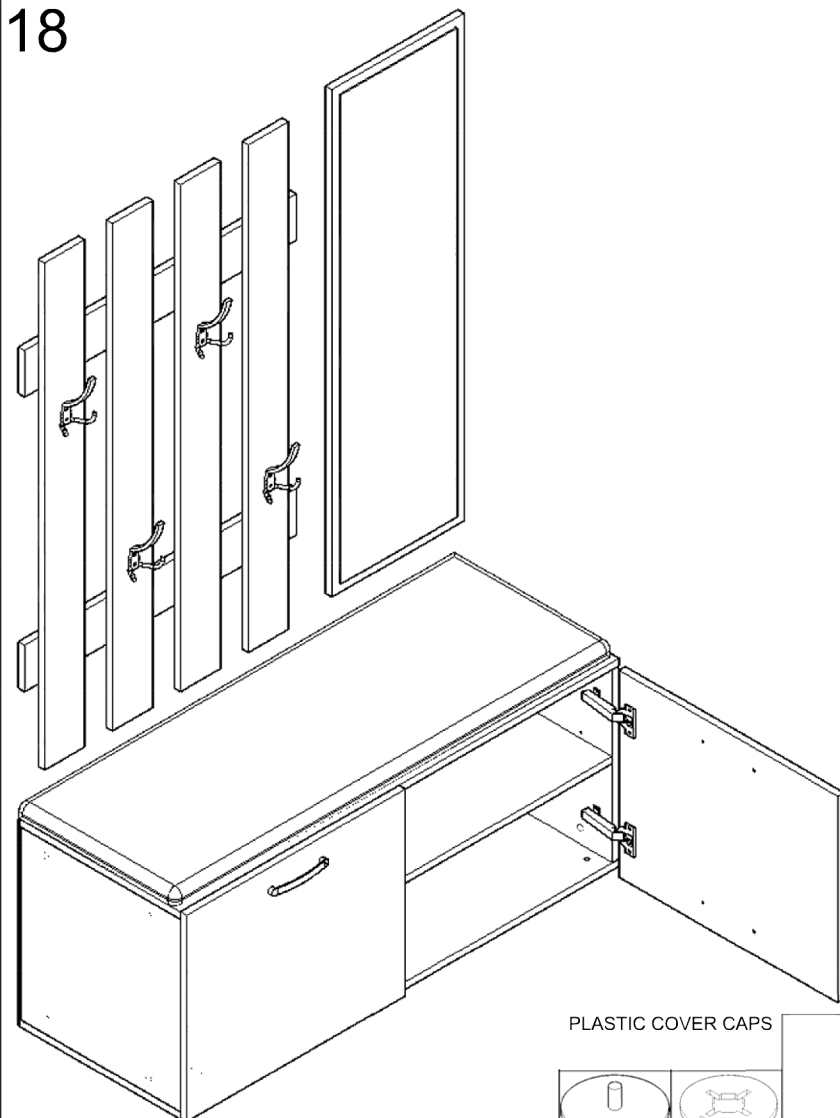


HOx4

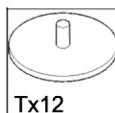
PM



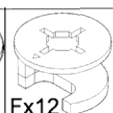
18



PLASTIC COVER CAPS



Tx12



Fx12

