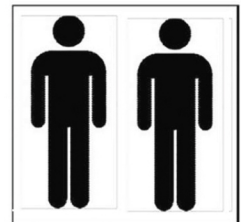
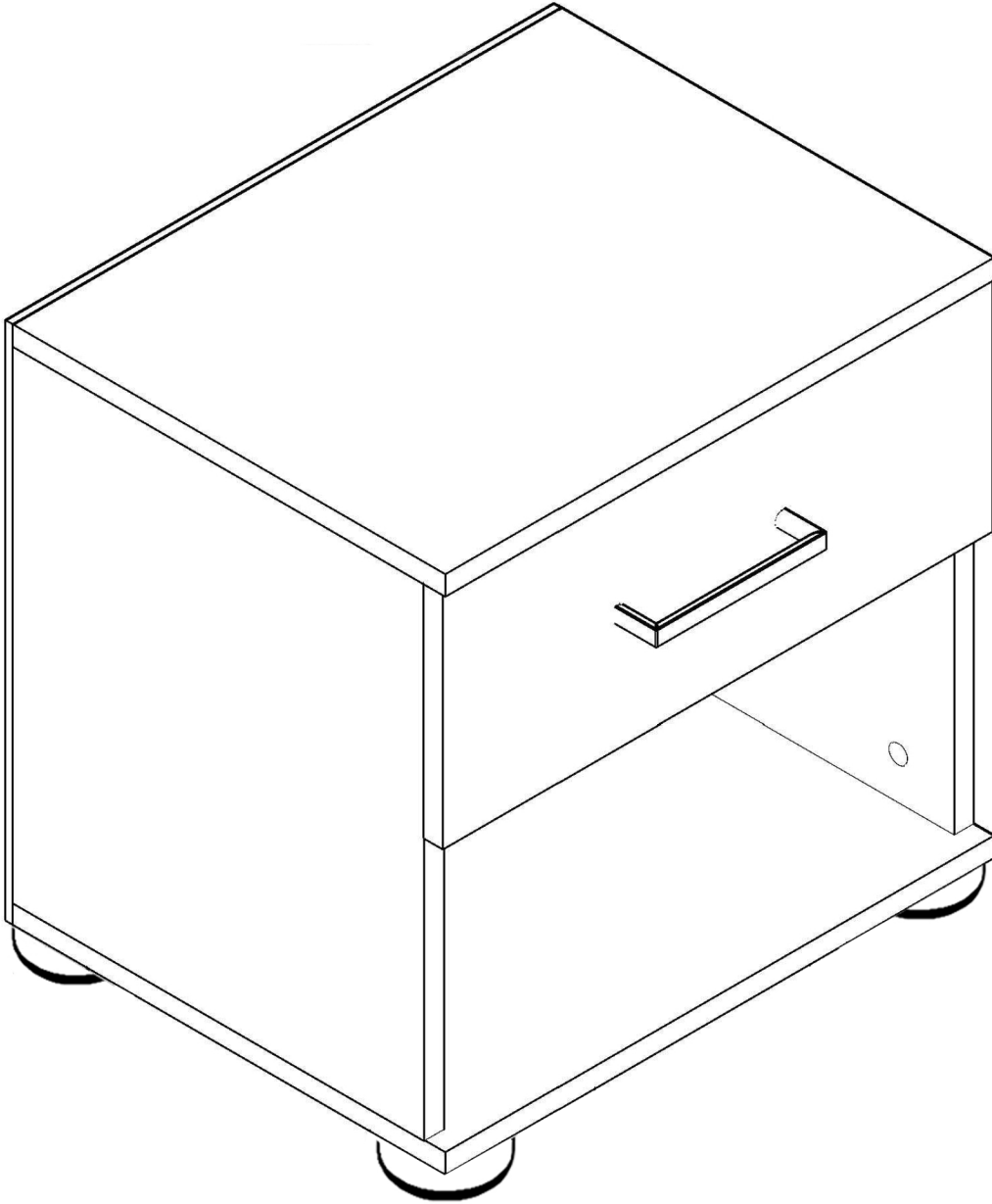
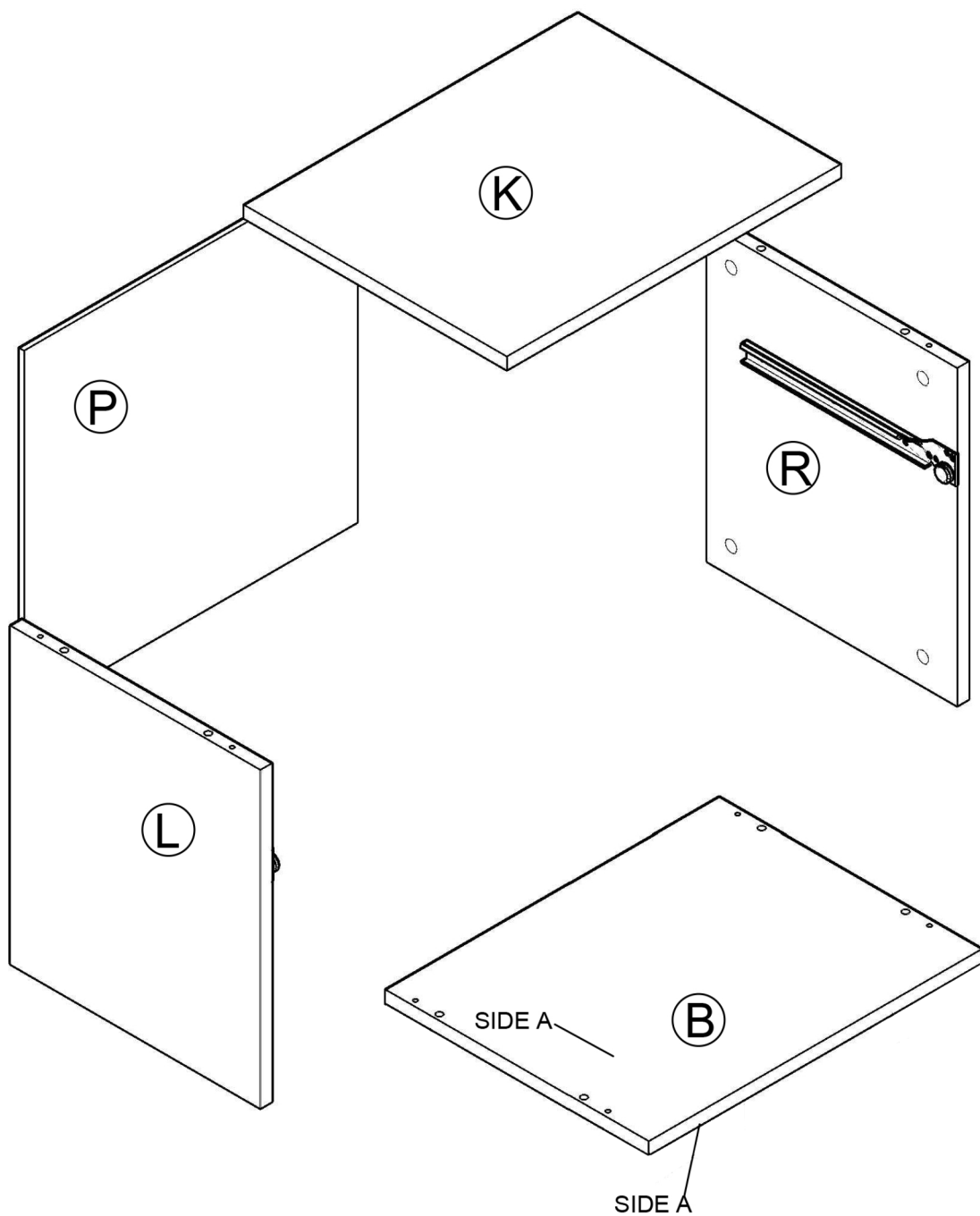
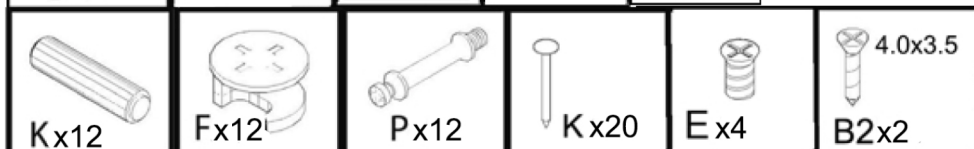
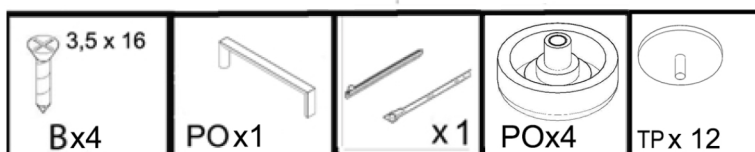
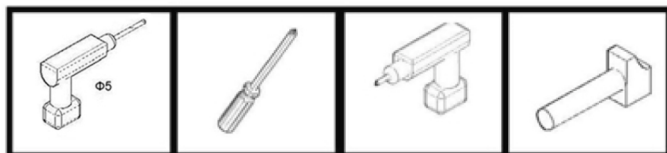


GRK 305



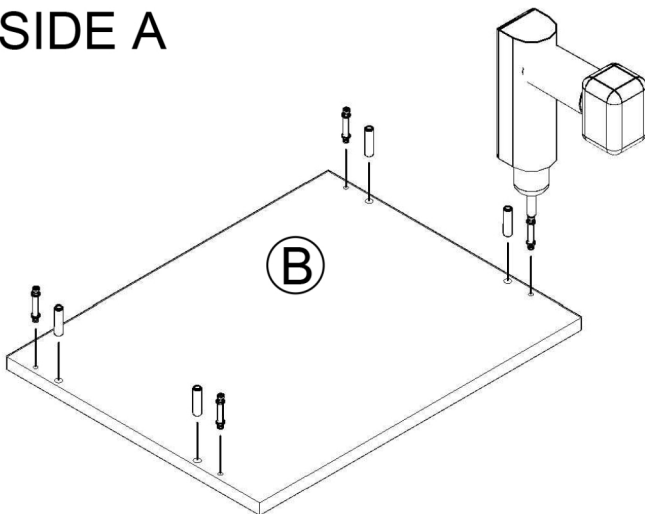


USING TOOLS

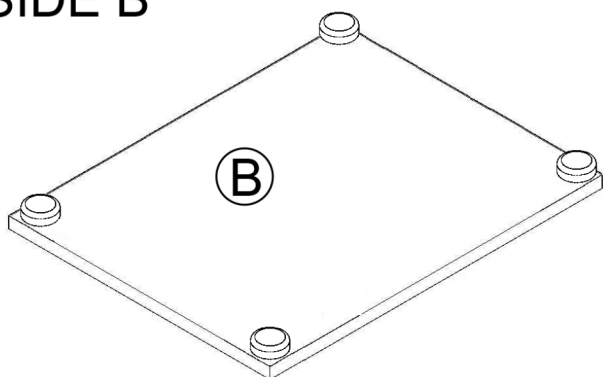


1

SIDE A

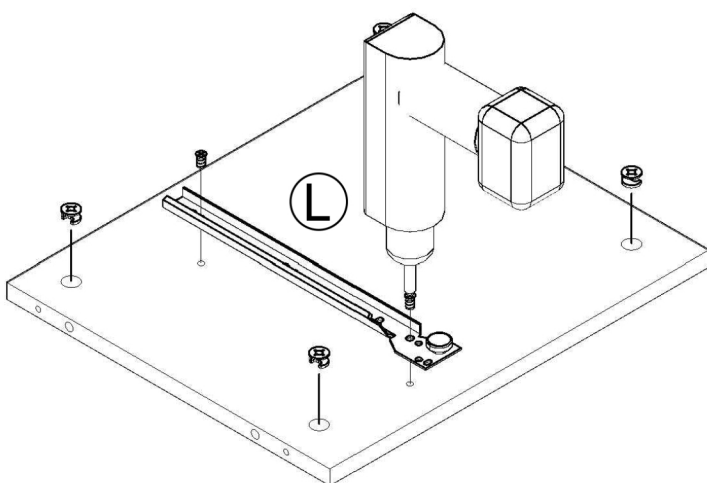


SIDE B

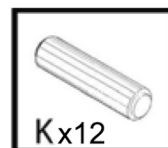
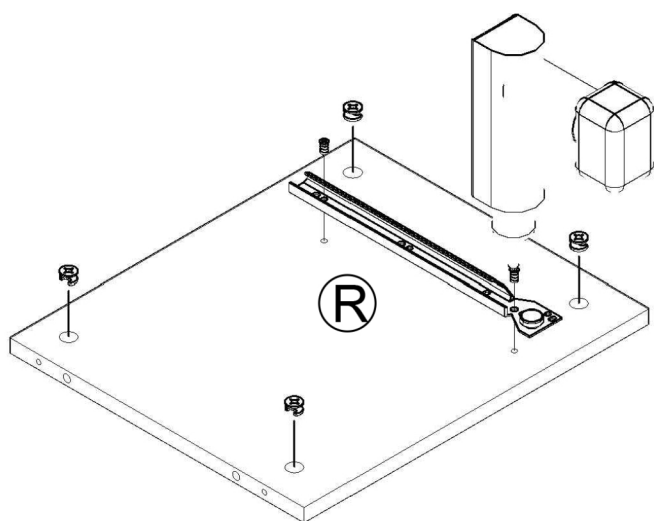


2

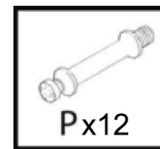
3



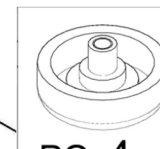
4



Kx12



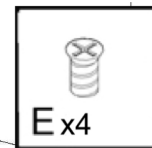
Px12



POx4



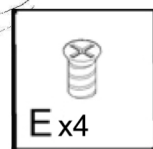
Fx12



Ex4

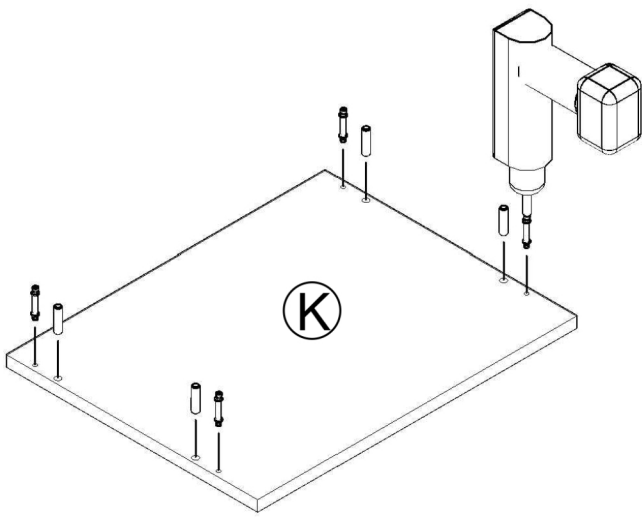


Fx12

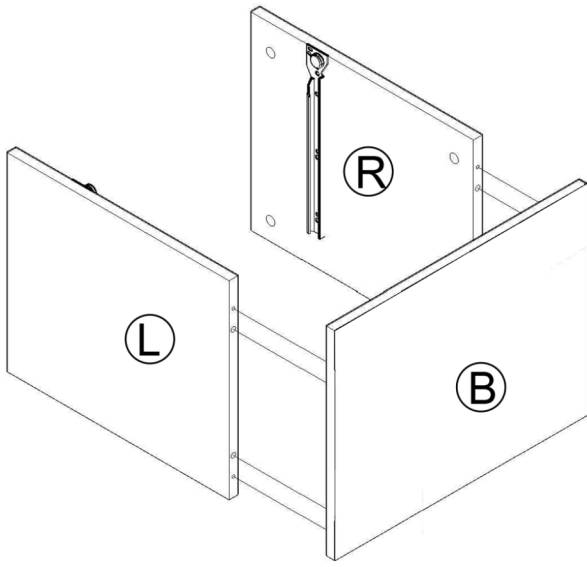


Ex4

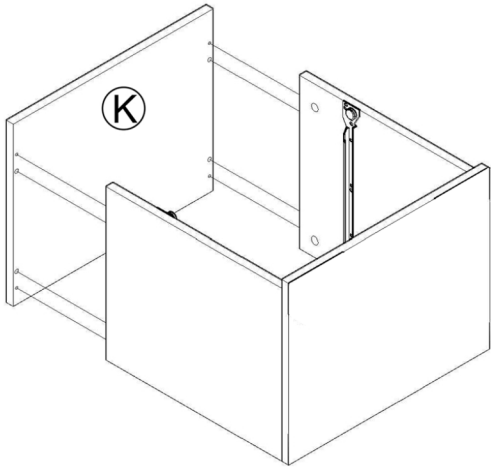
5



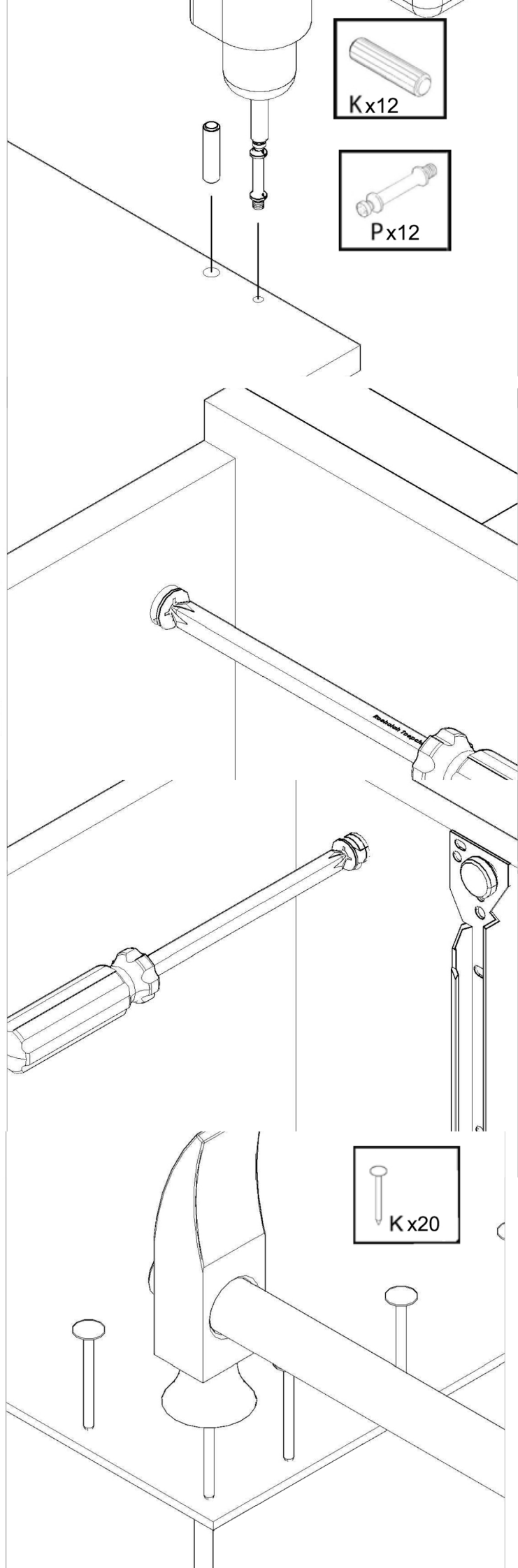
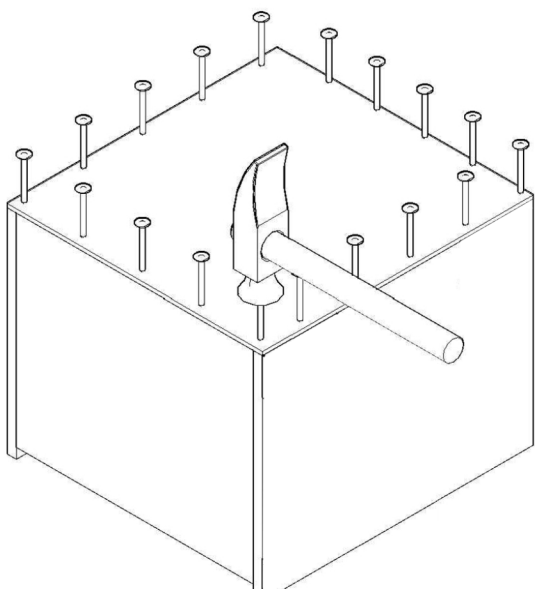
6



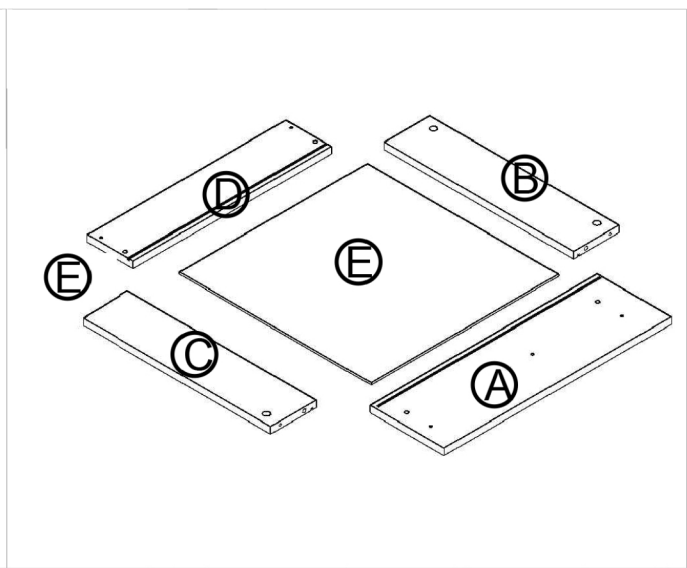
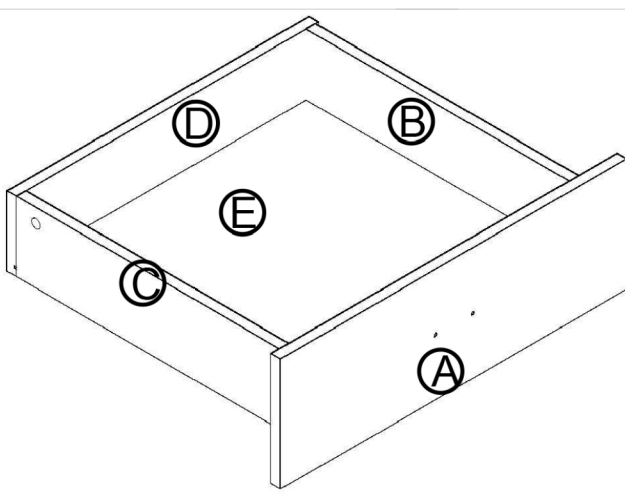
7



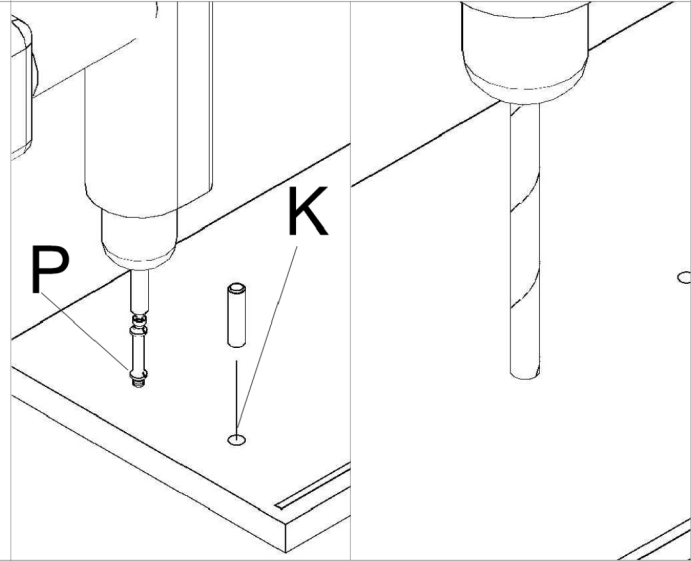
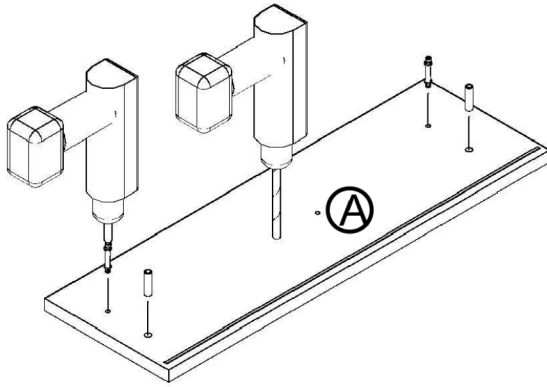
8



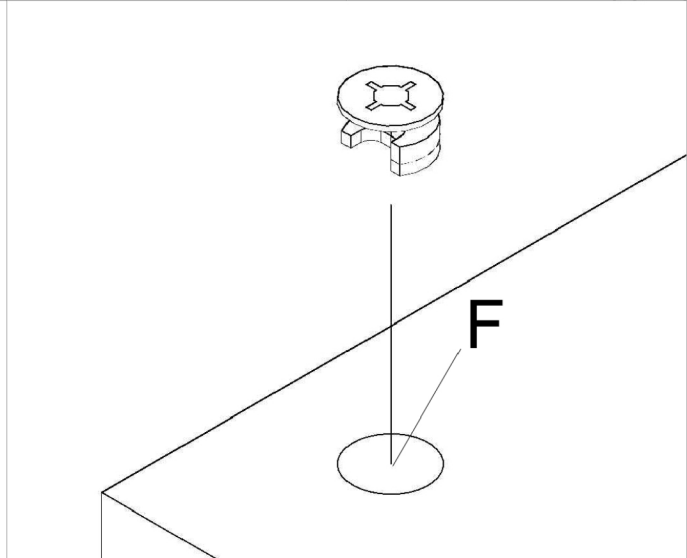
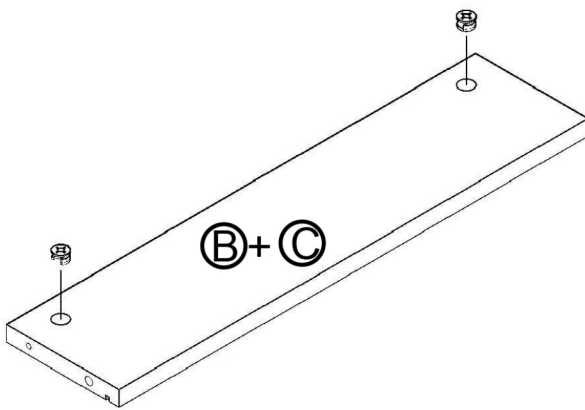
1



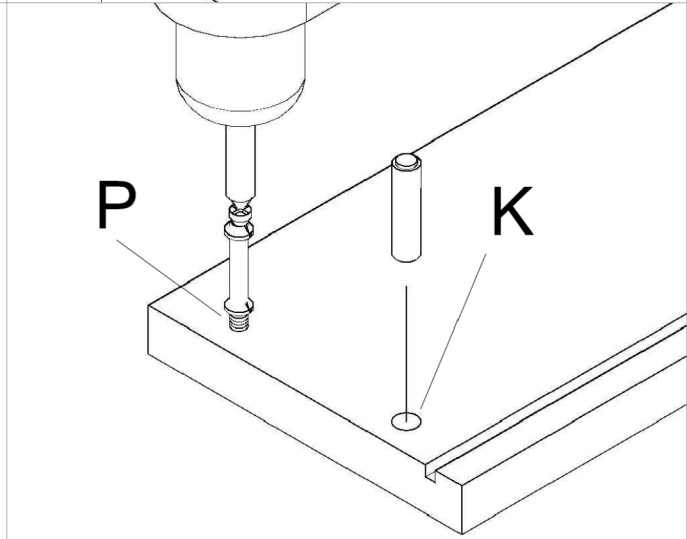
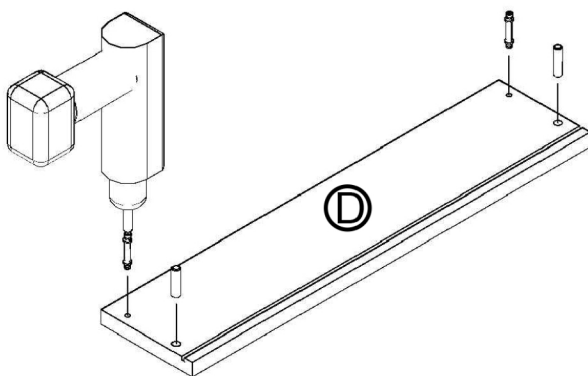
2



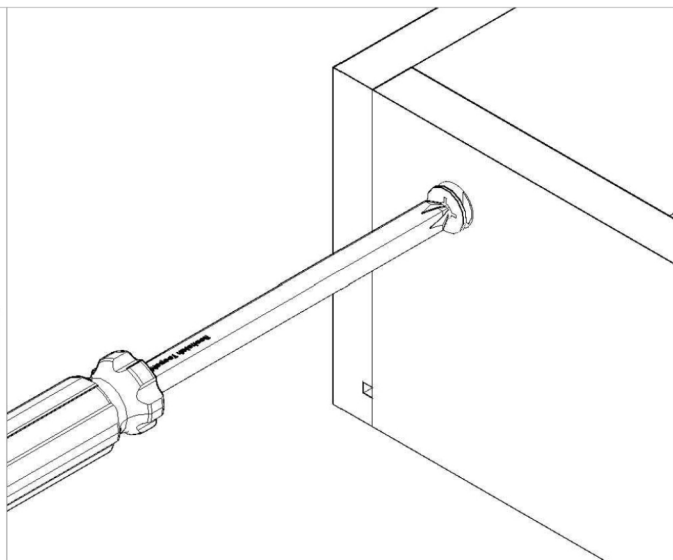
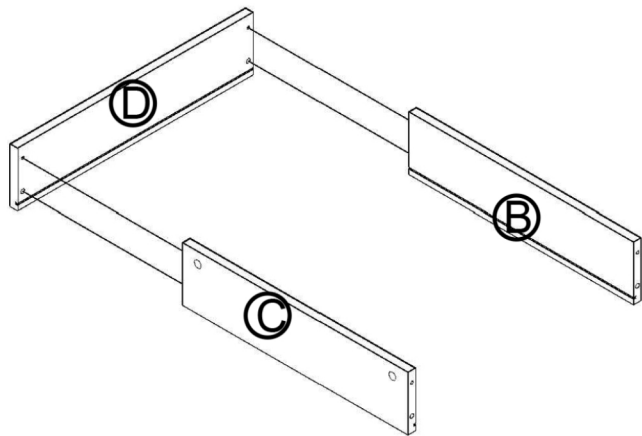
3



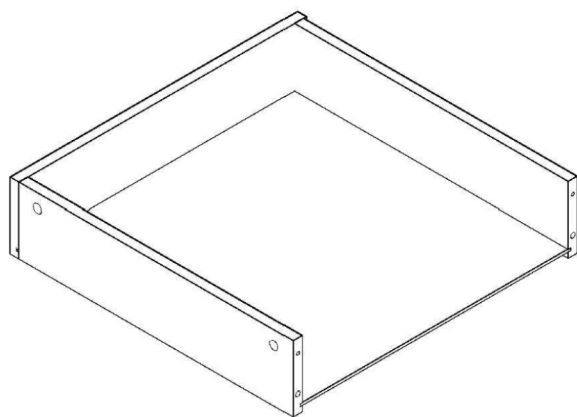
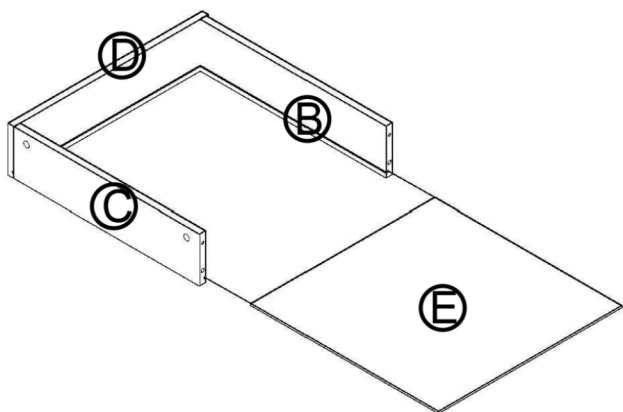
4



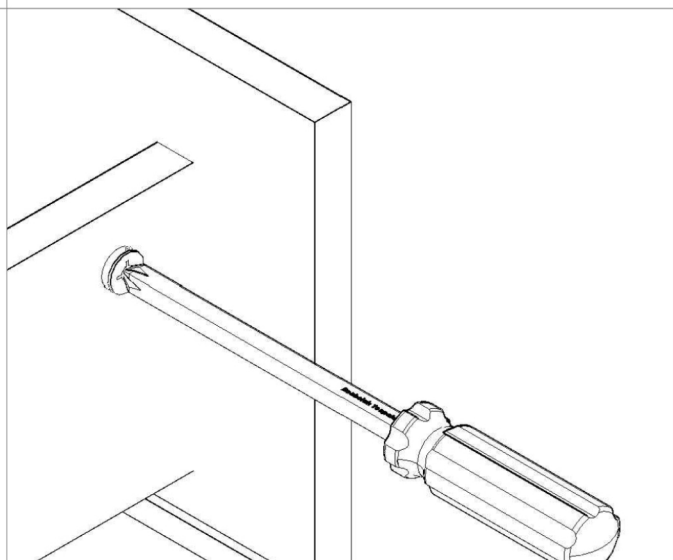
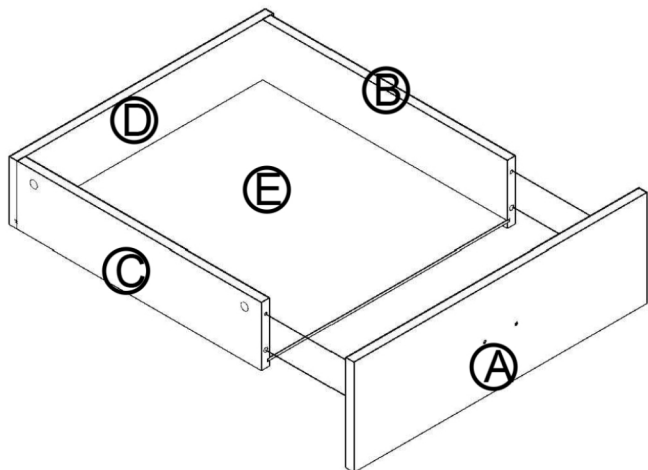
5



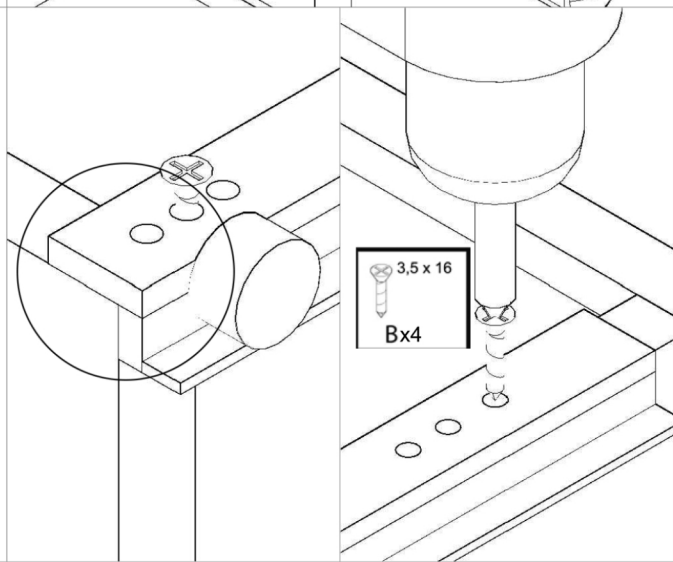
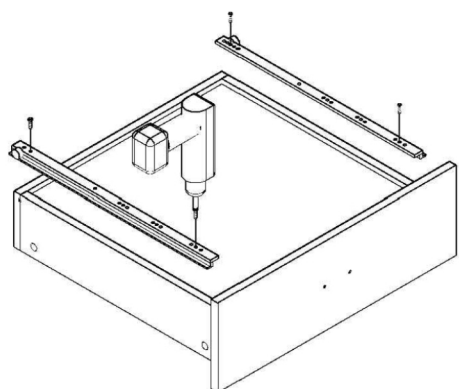
6



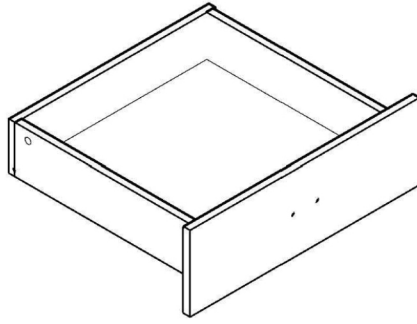
7



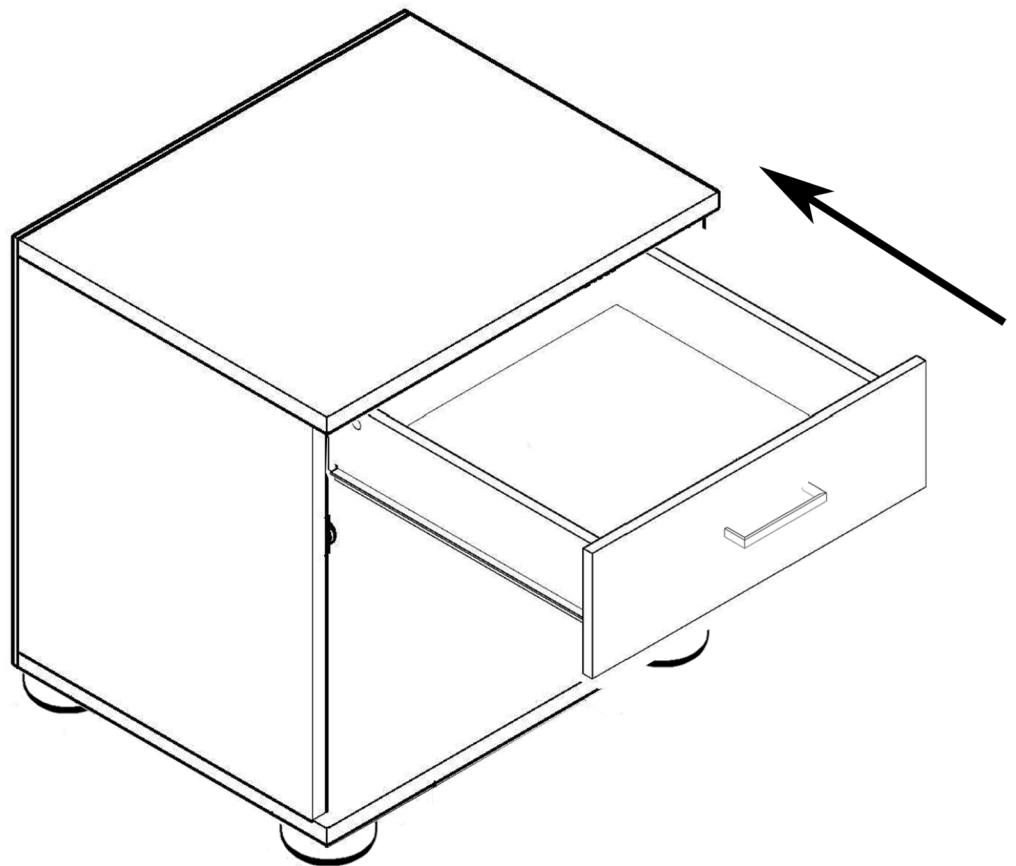
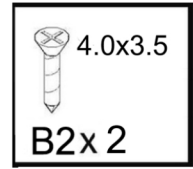
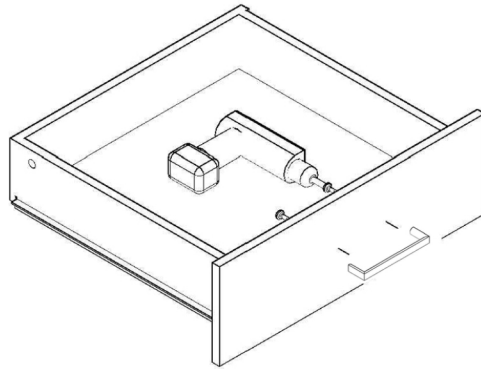
8



9



10



PLASTIC COVER CAPS FOR SCREWS

