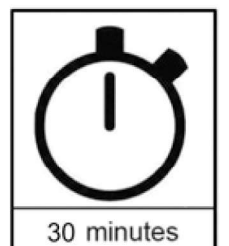
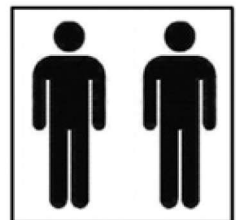
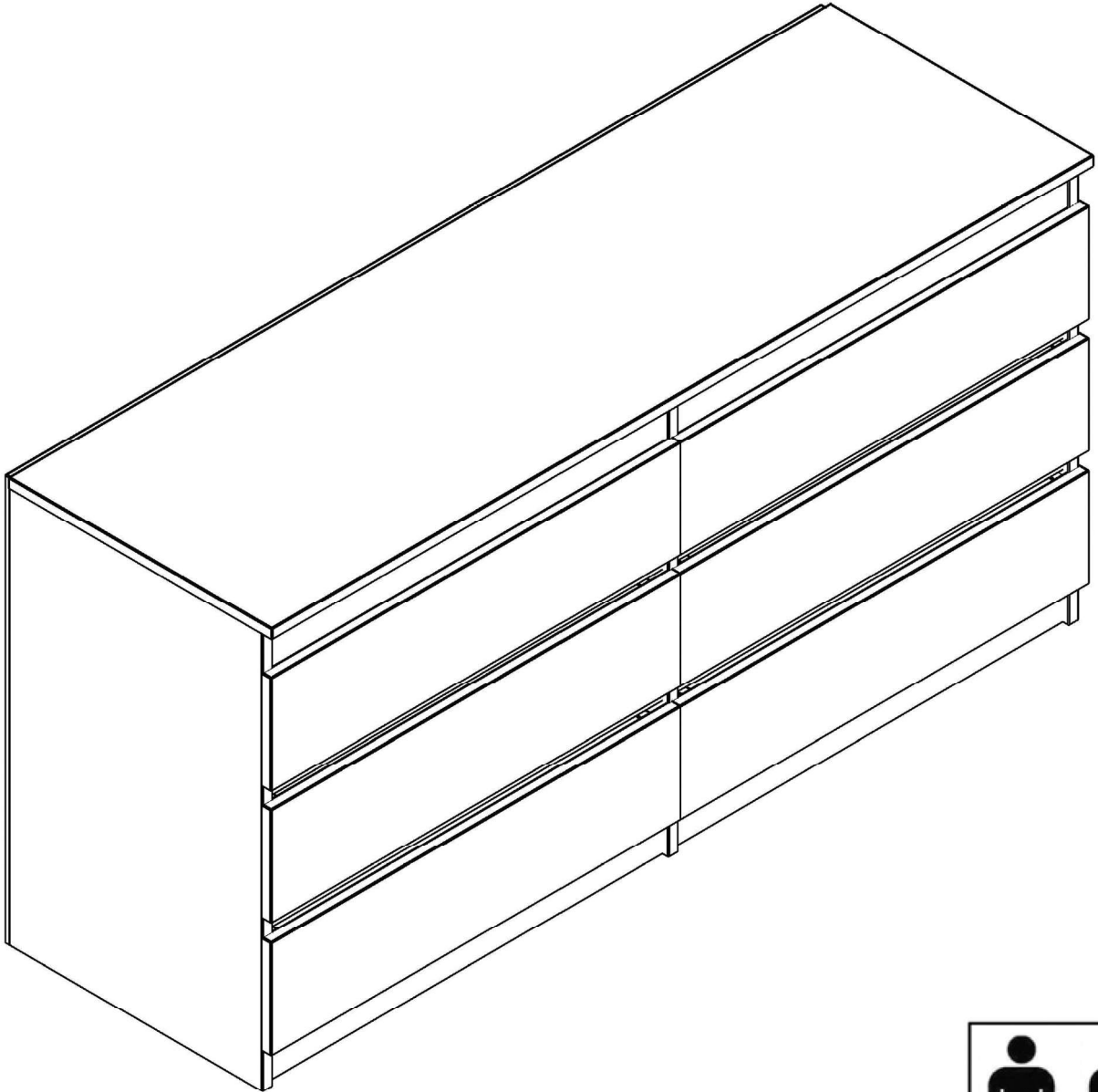
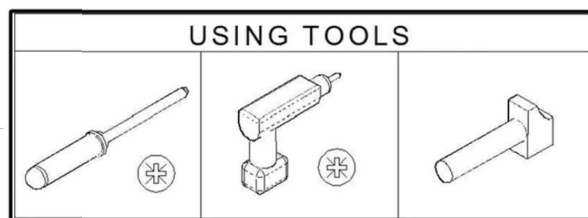
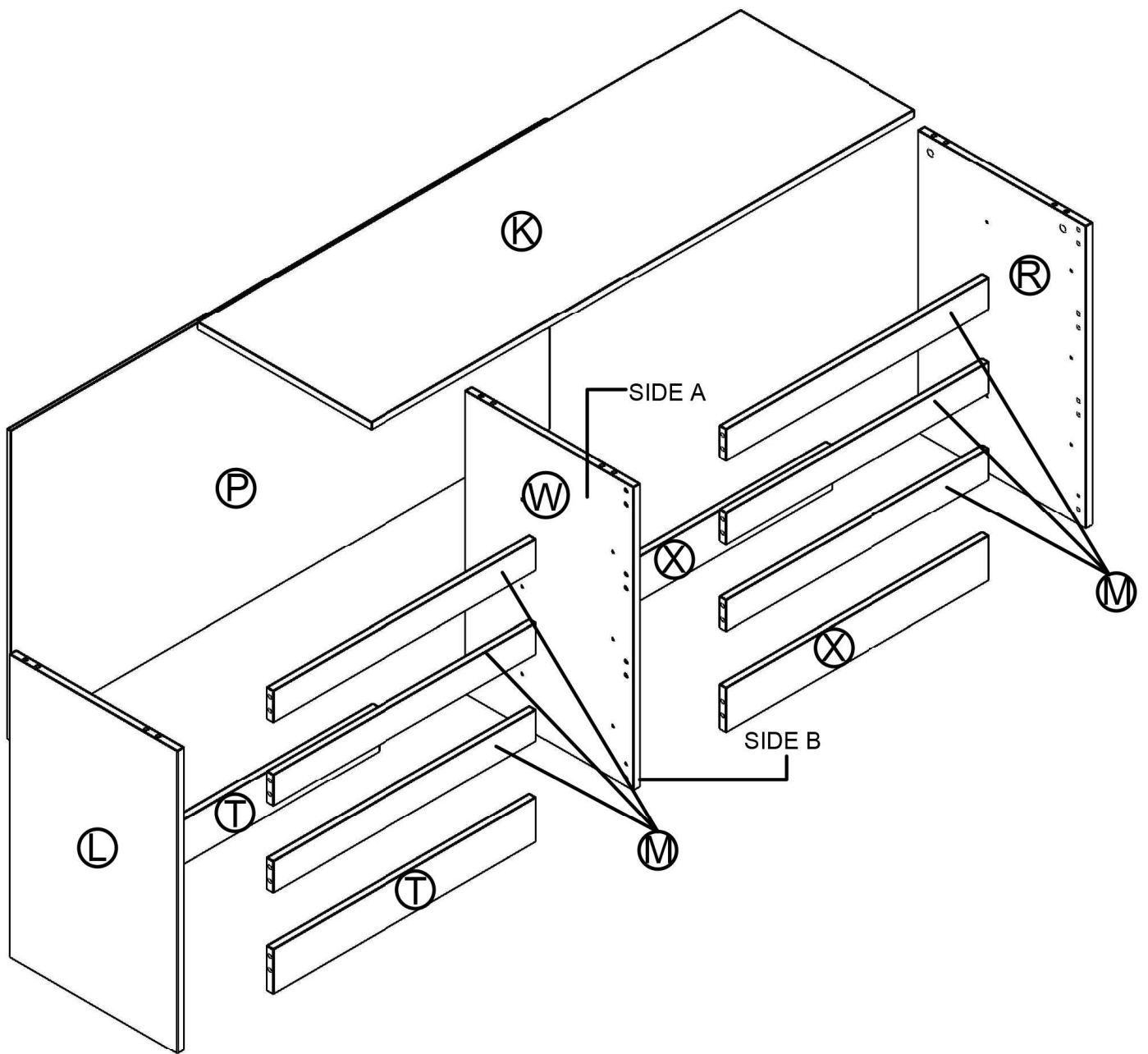


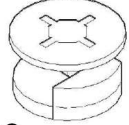



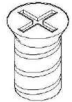

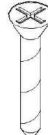
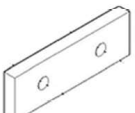


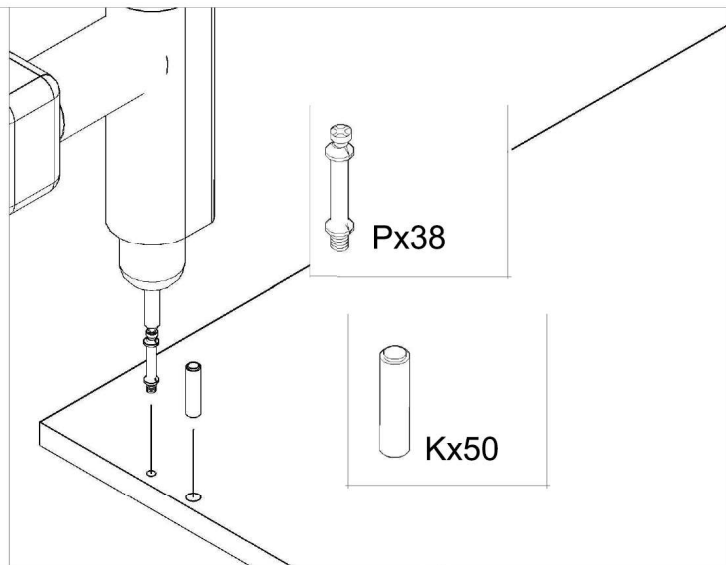
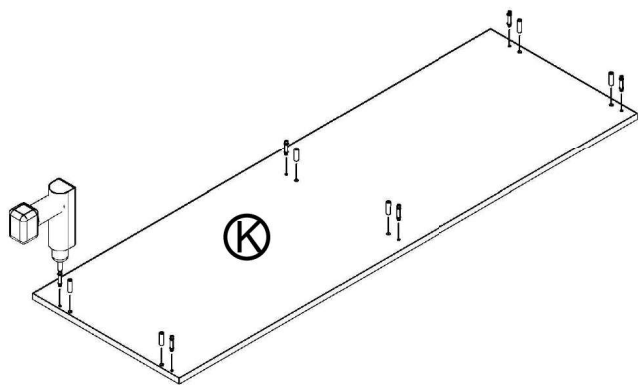
GRK401



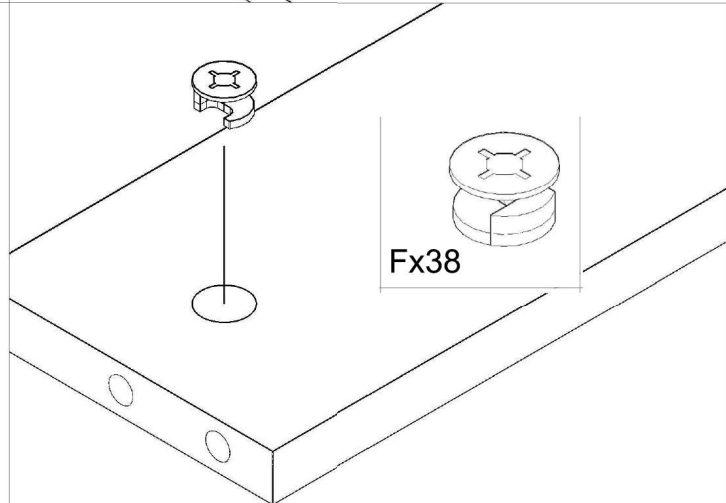
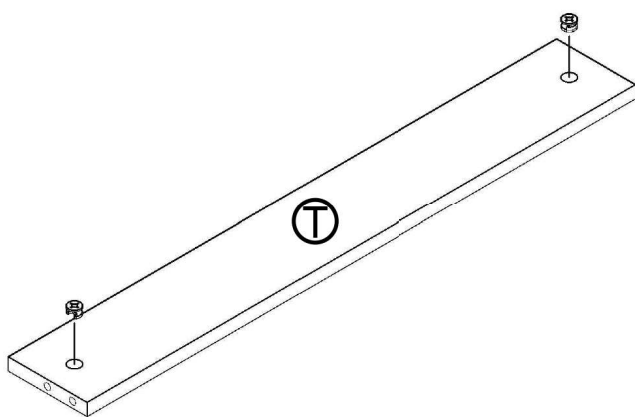


 Px38	 Kx50	 Fx38	 K2x6	 4.0*20 B2x12
 Ox6	 Ex24	 KAx50	 3.5x16 Bx24	 BAP x 6

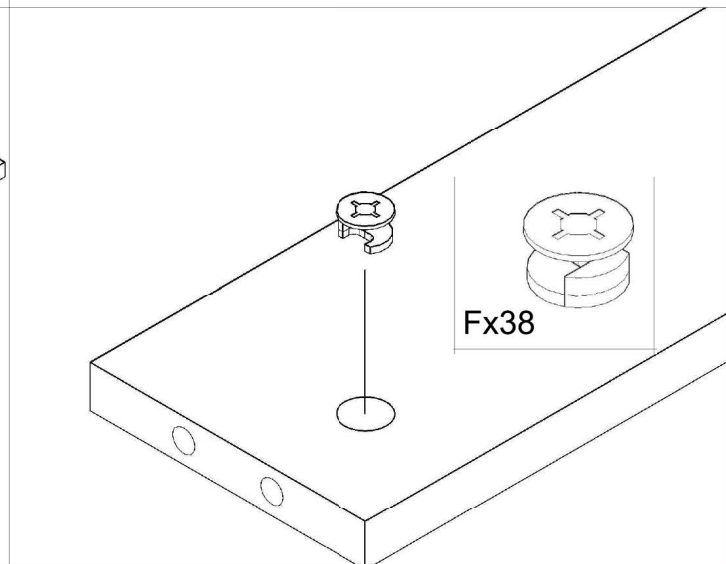
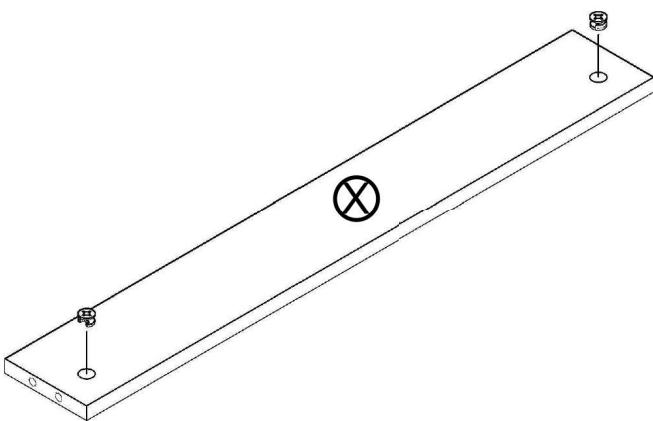
1



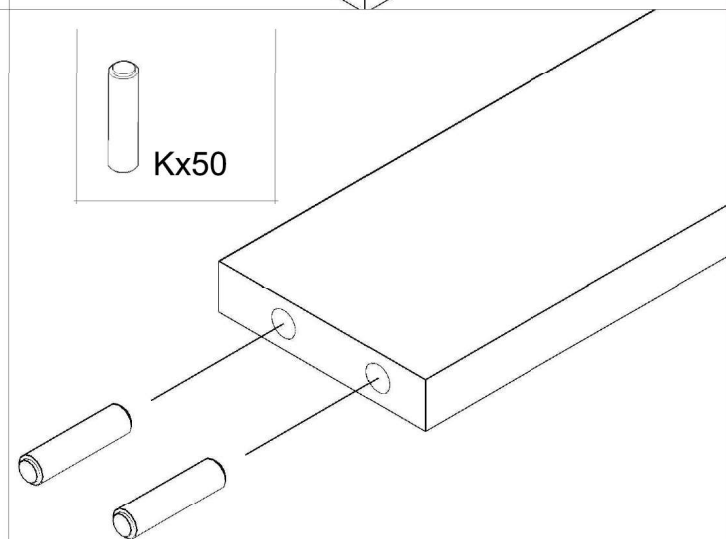
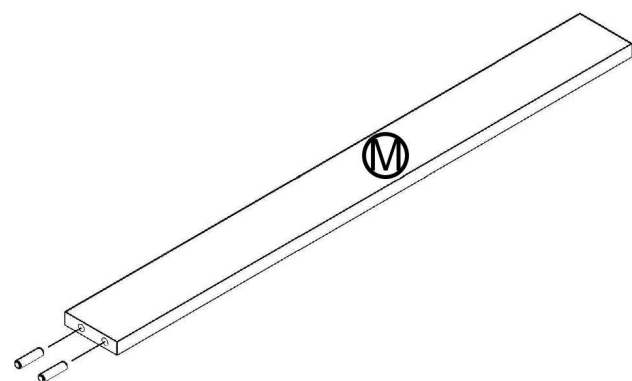
2



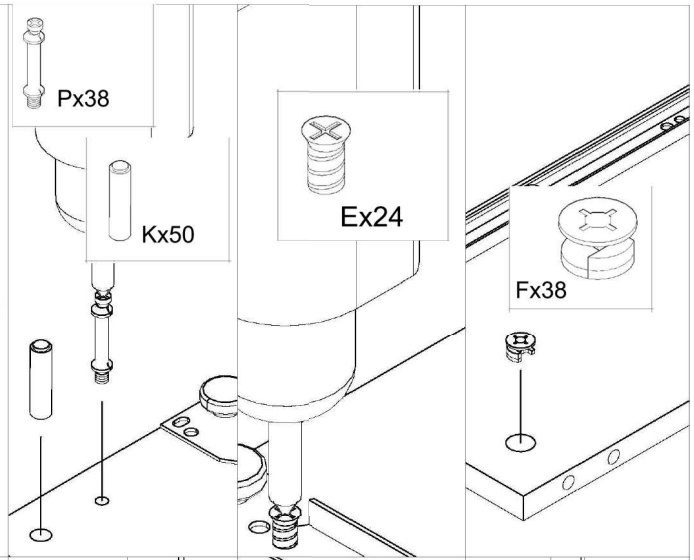
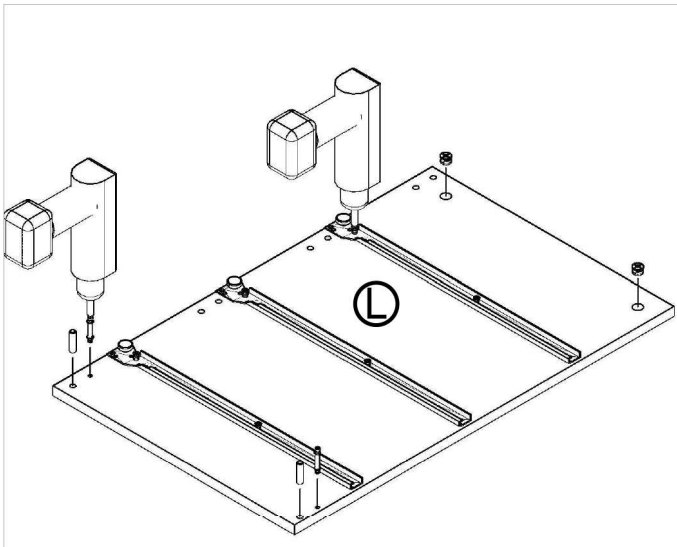
3



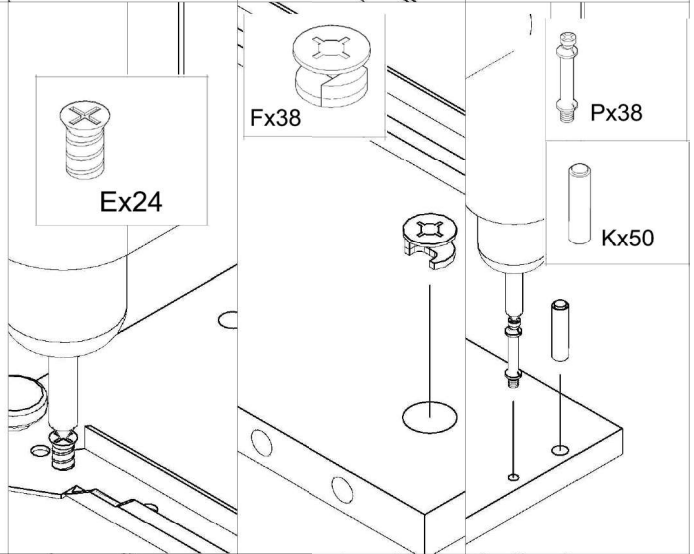
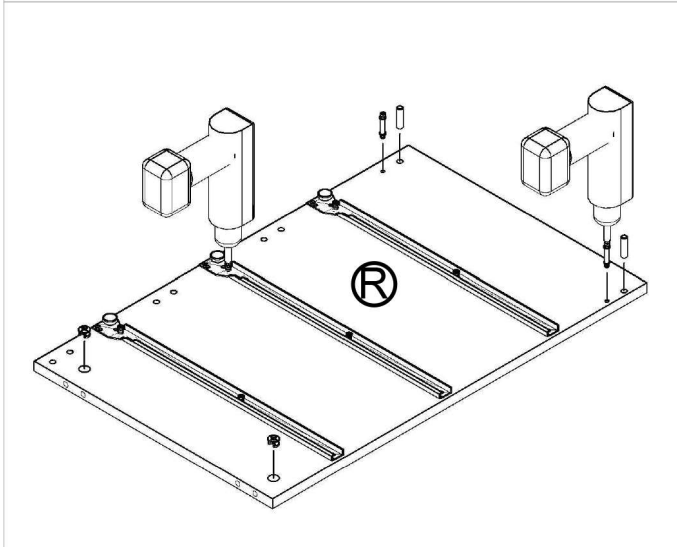
4



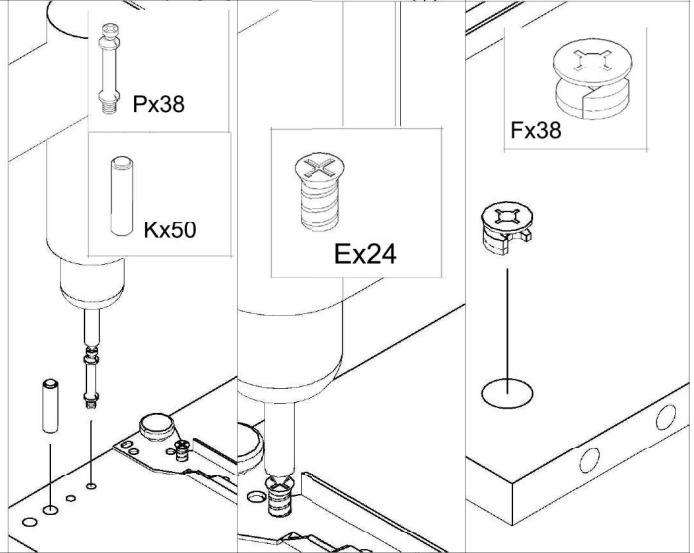
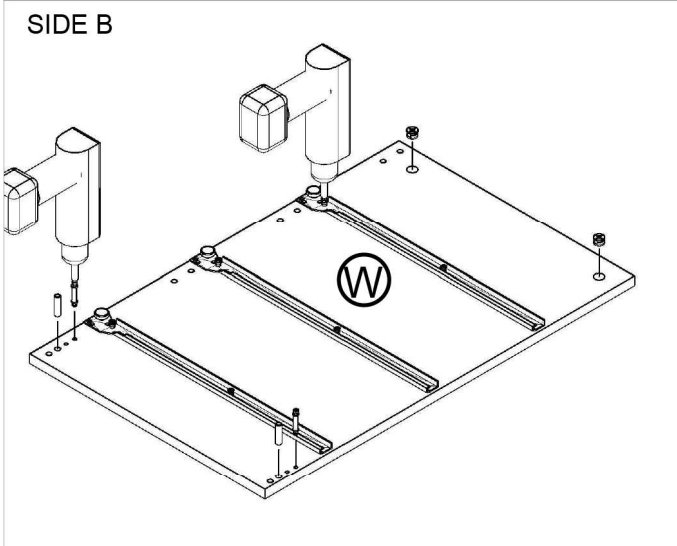
5



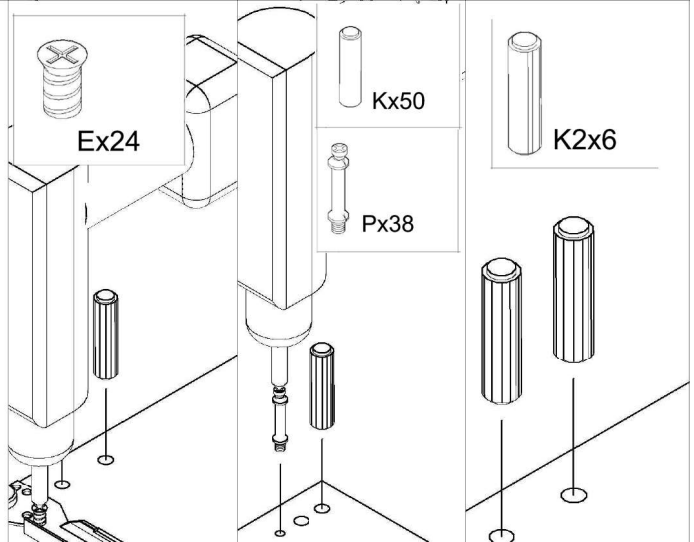
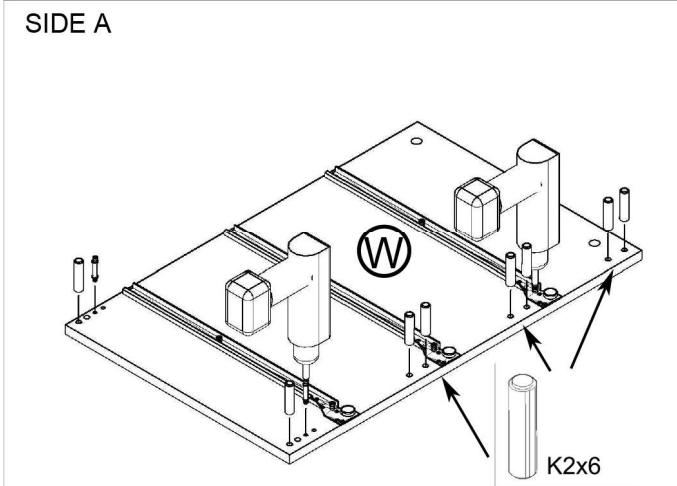
6



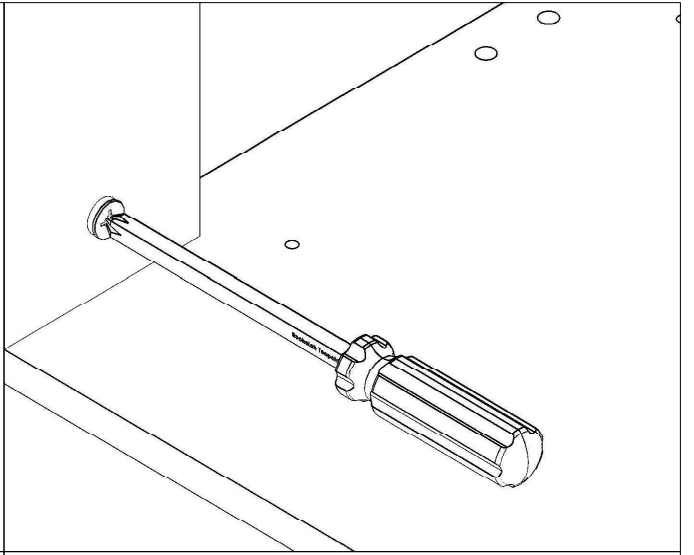
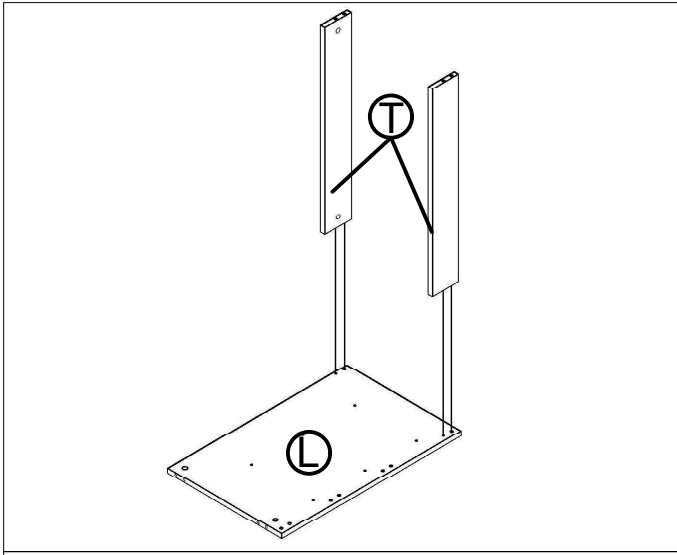
7



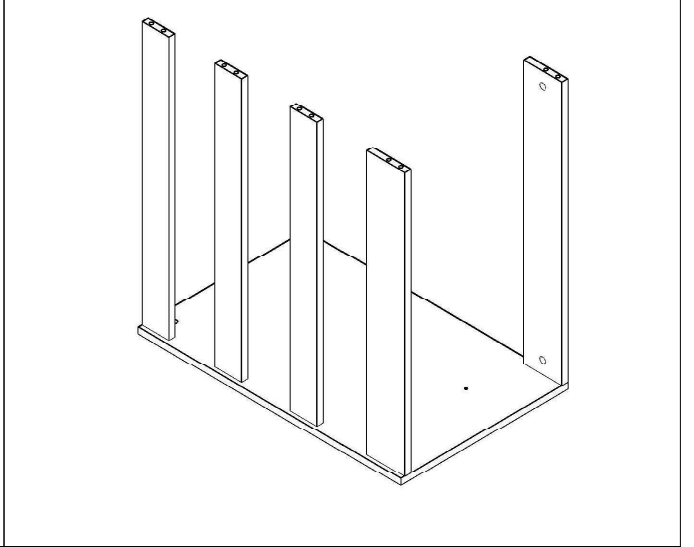
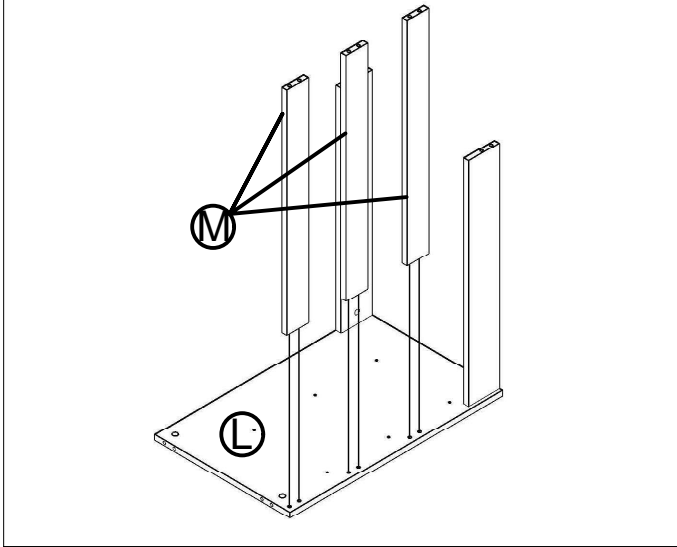
8



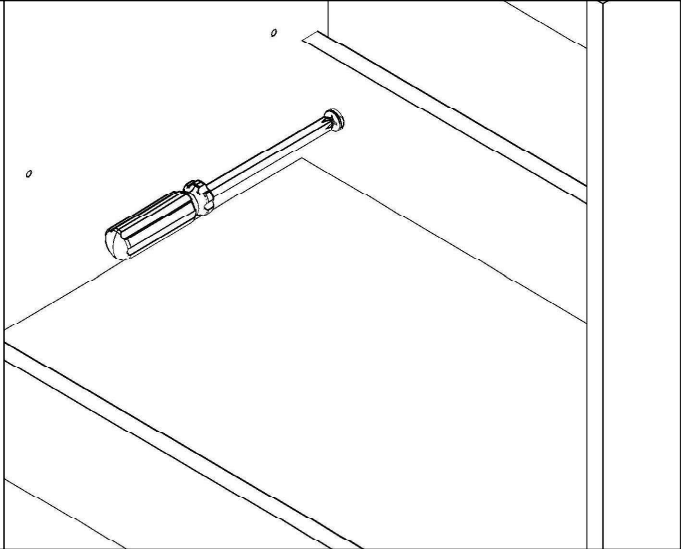
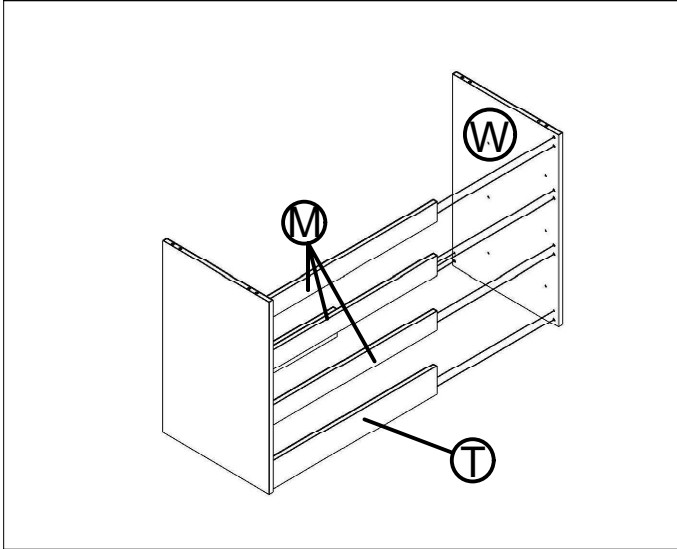
9



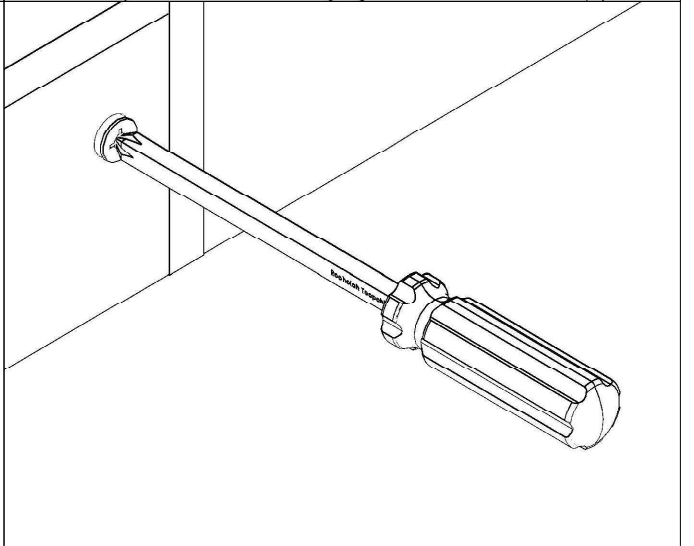
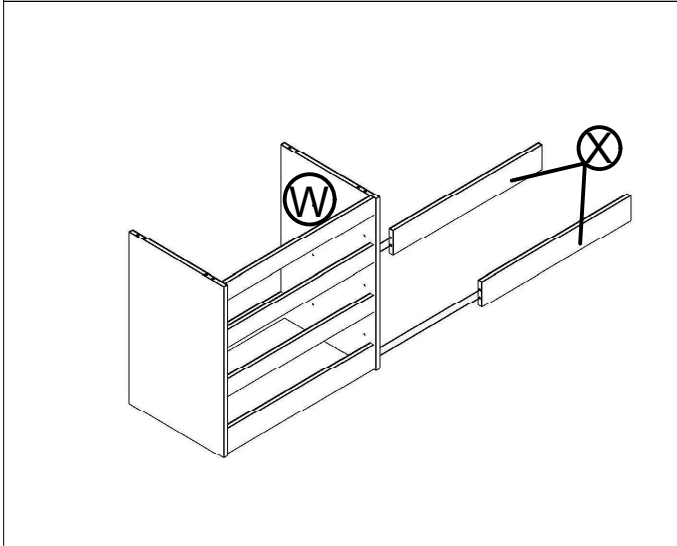
10



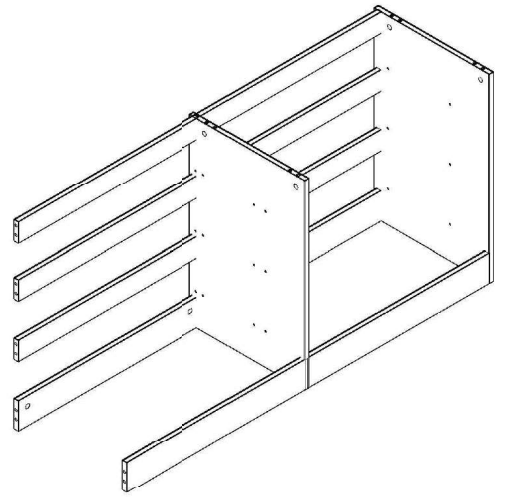
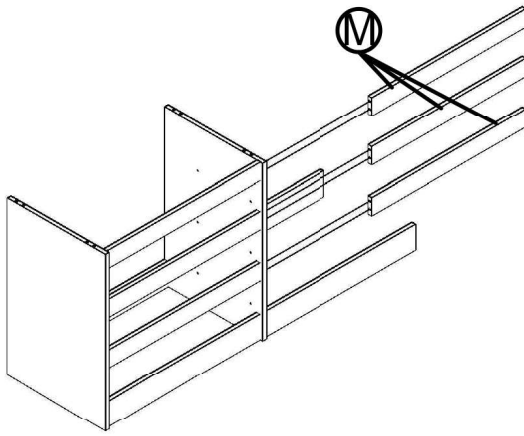
11



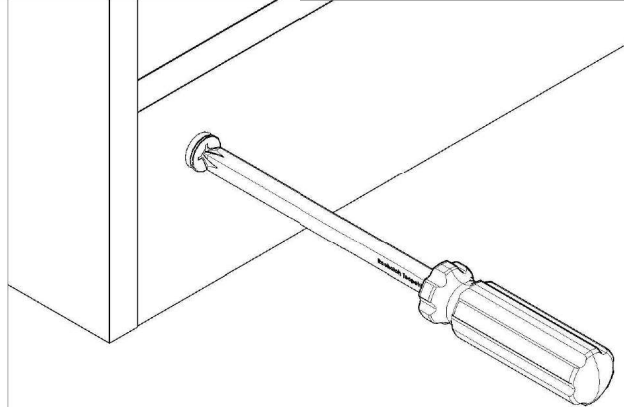
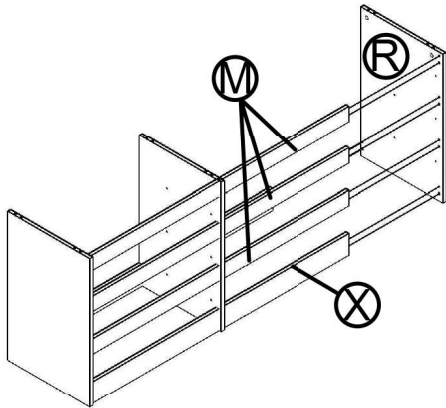
12



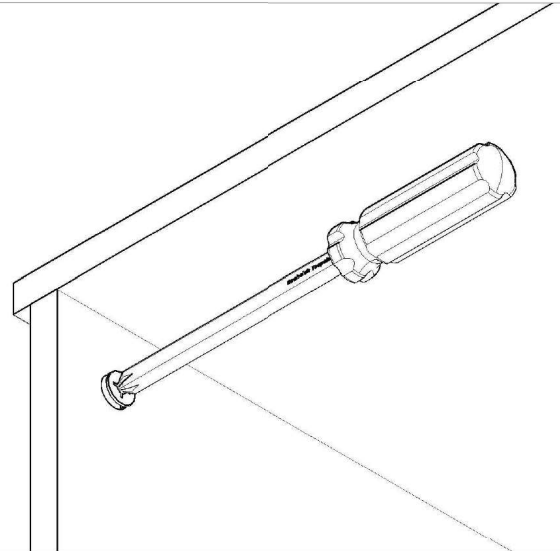
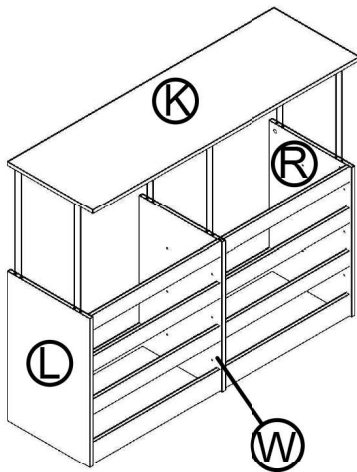
13



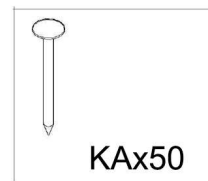
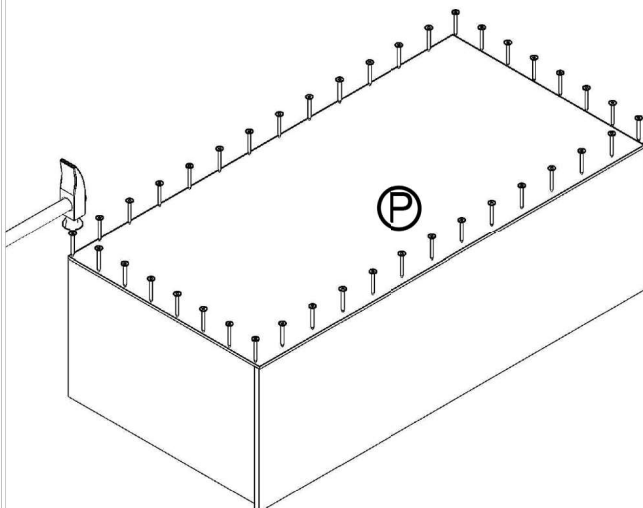
14



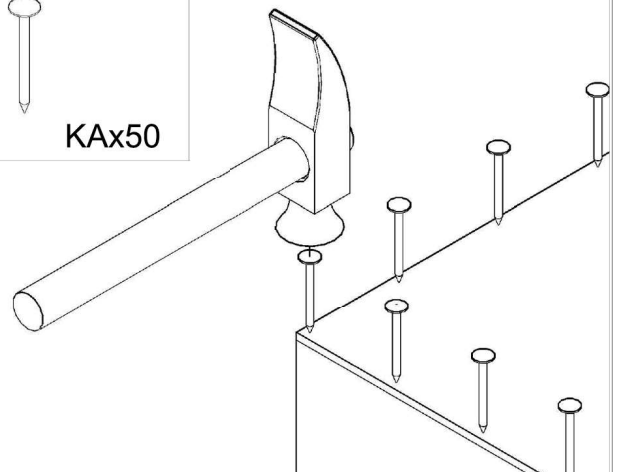
15



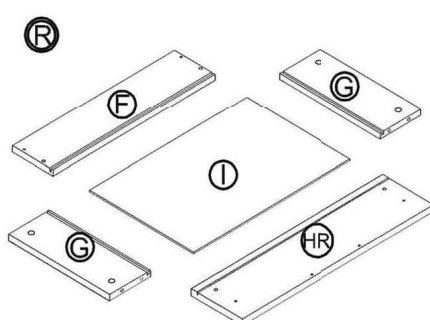
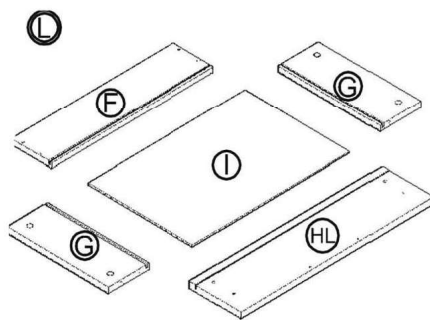
16



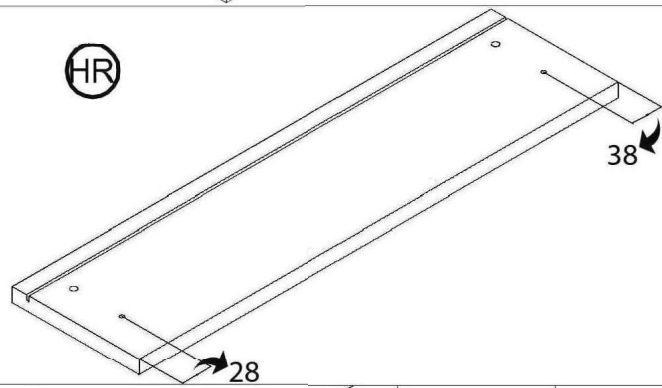
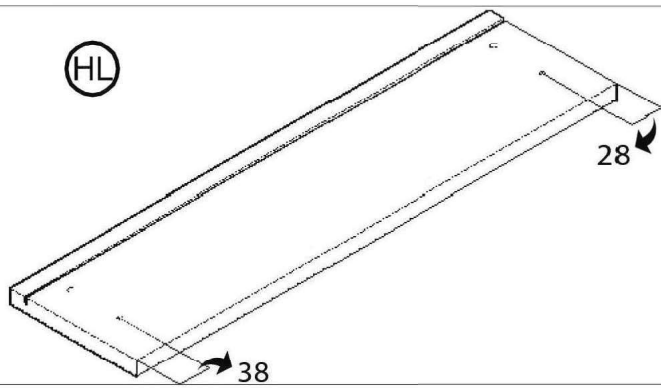
KAx50



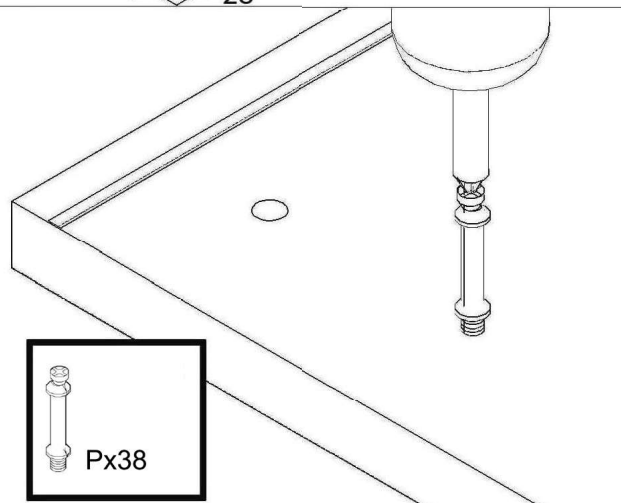
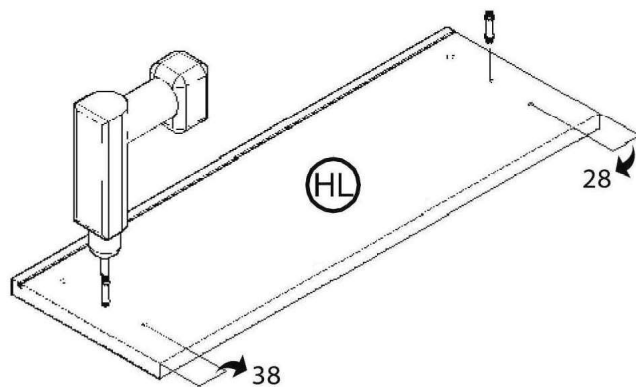
1



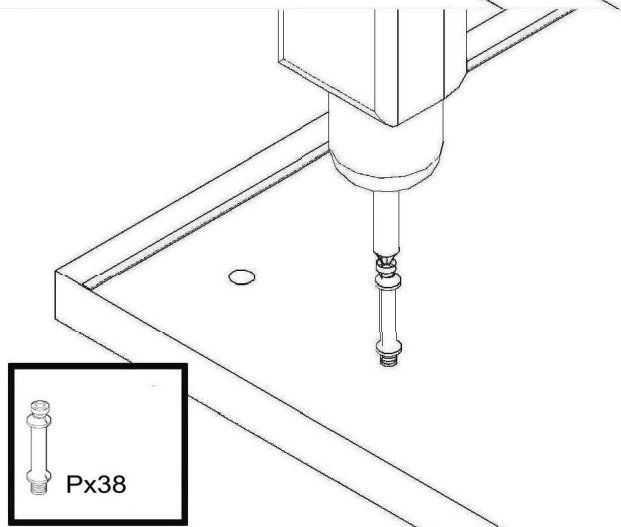
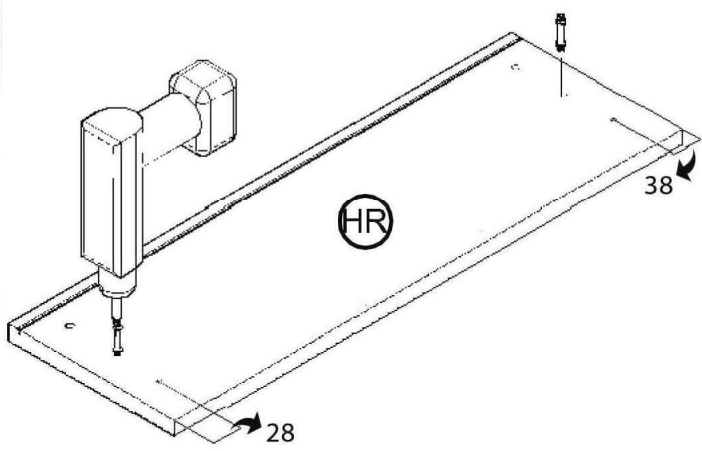
2



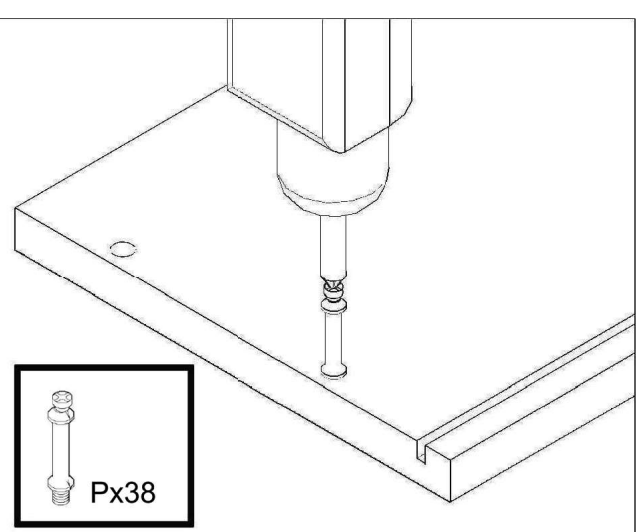
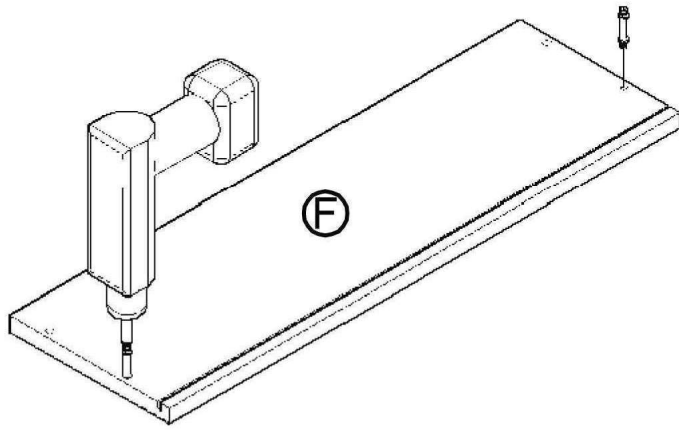
3



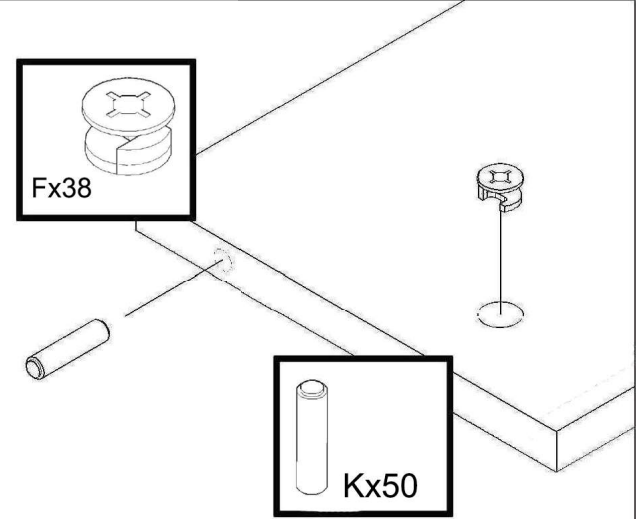
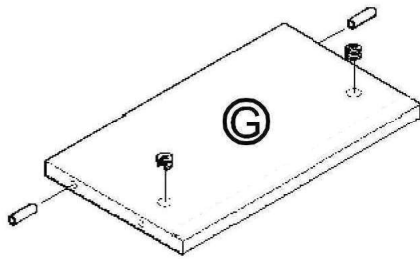
4



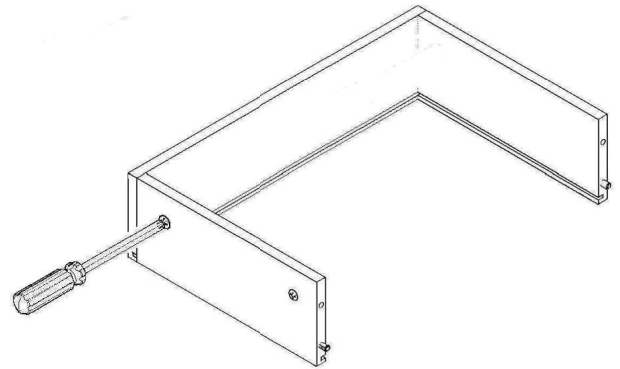
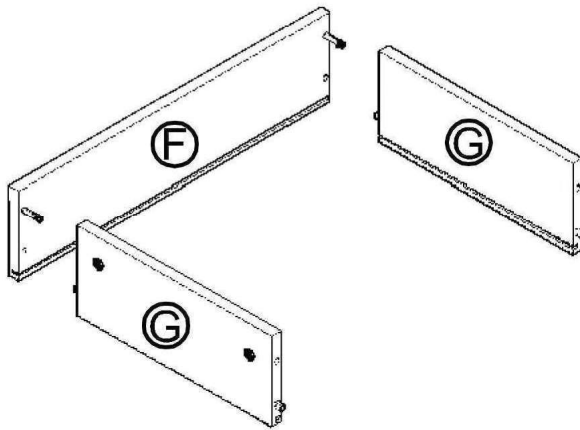
5



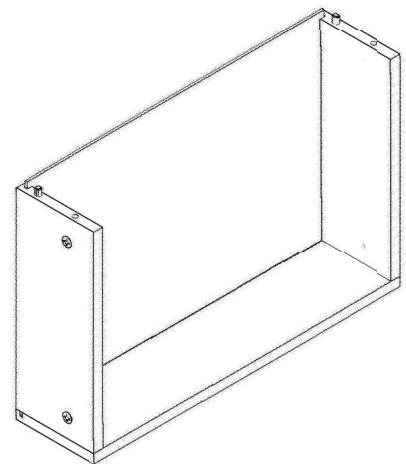
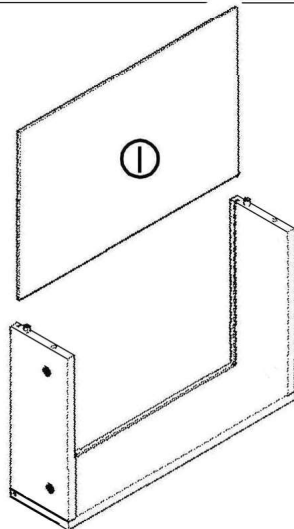
6



7

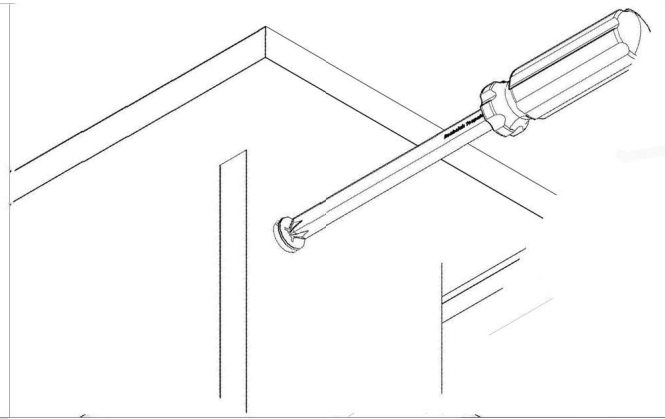
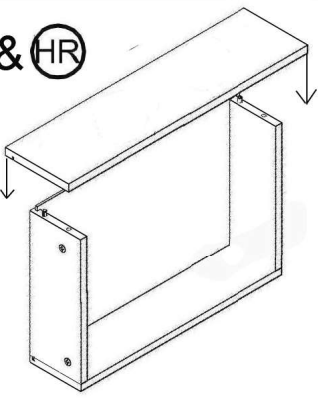


8

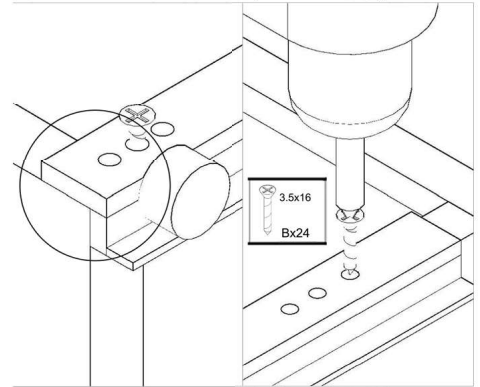
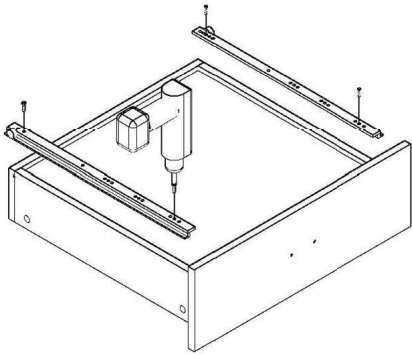


9

HL & HR



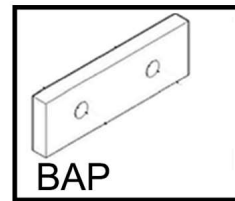
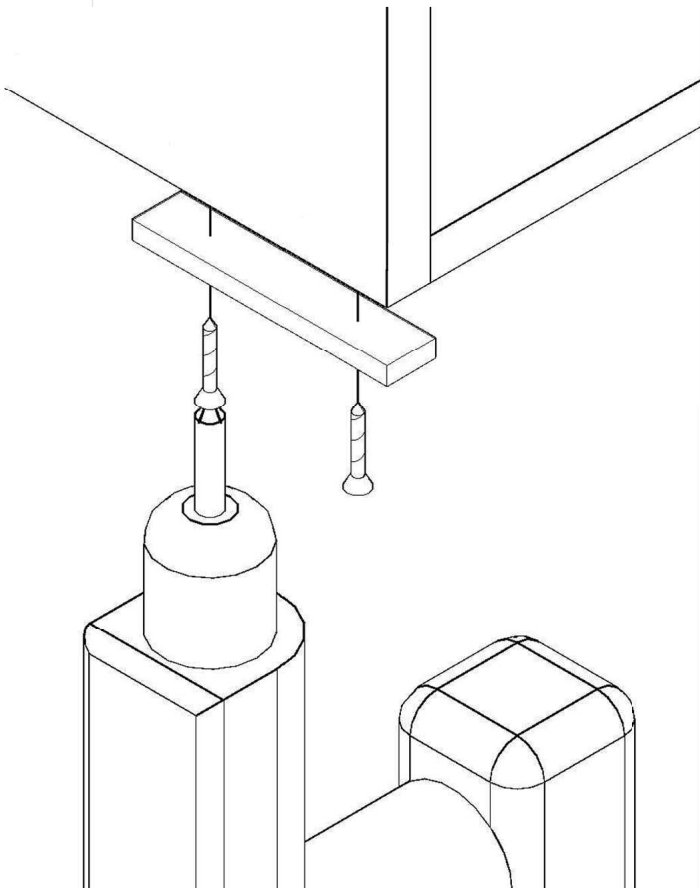
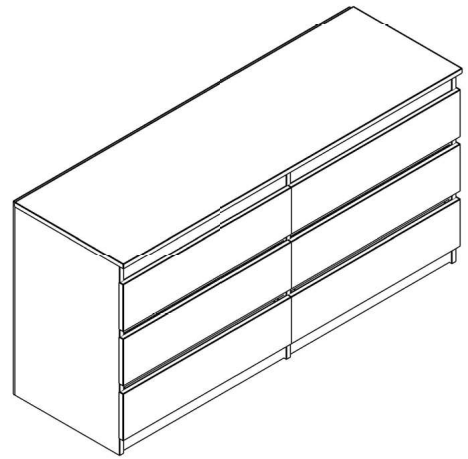
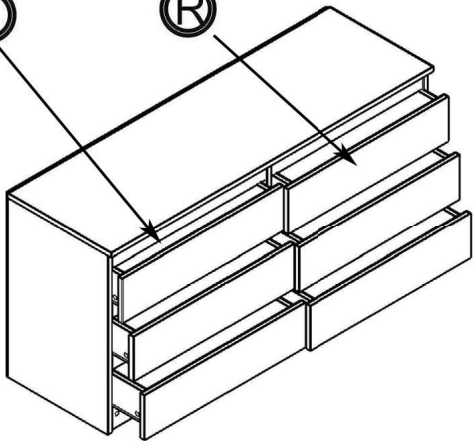
10



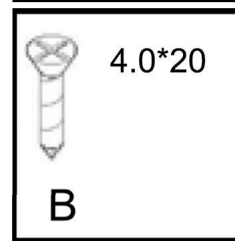
11

L

R



BAP



4.0*20

B

