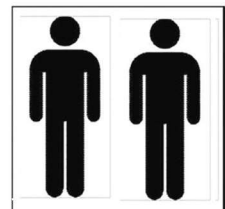
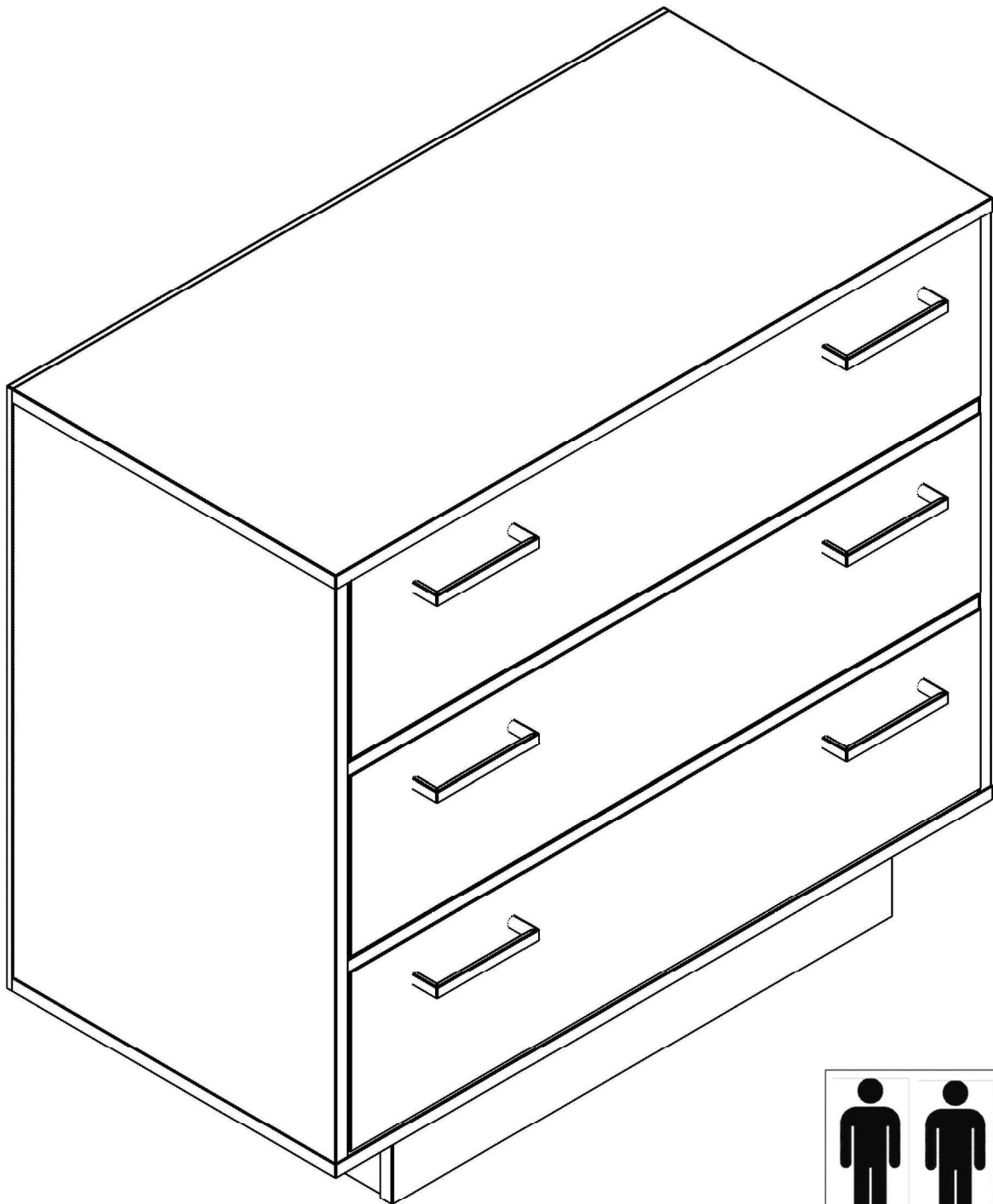
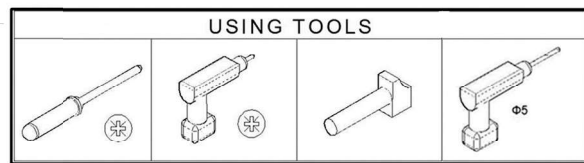
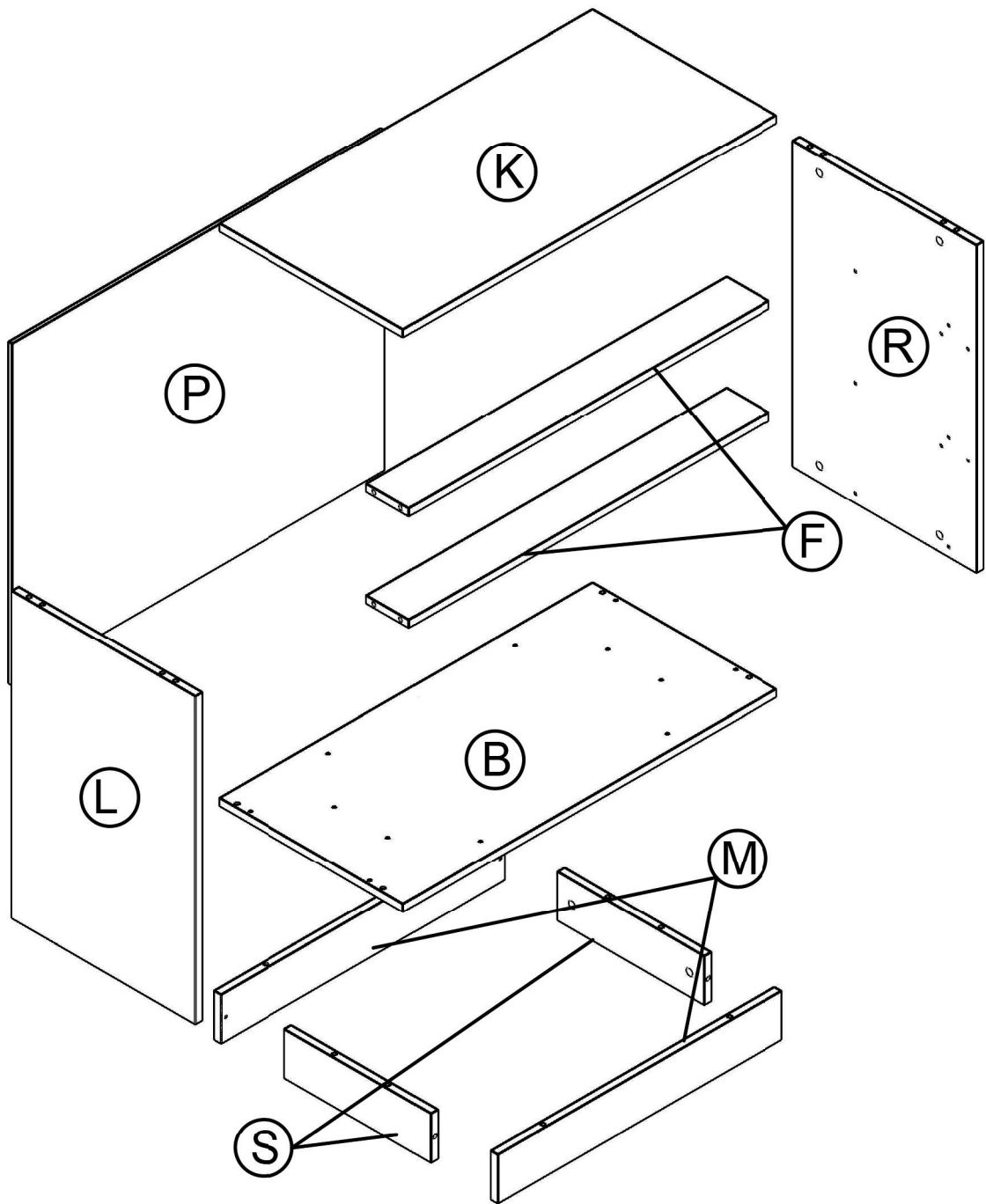



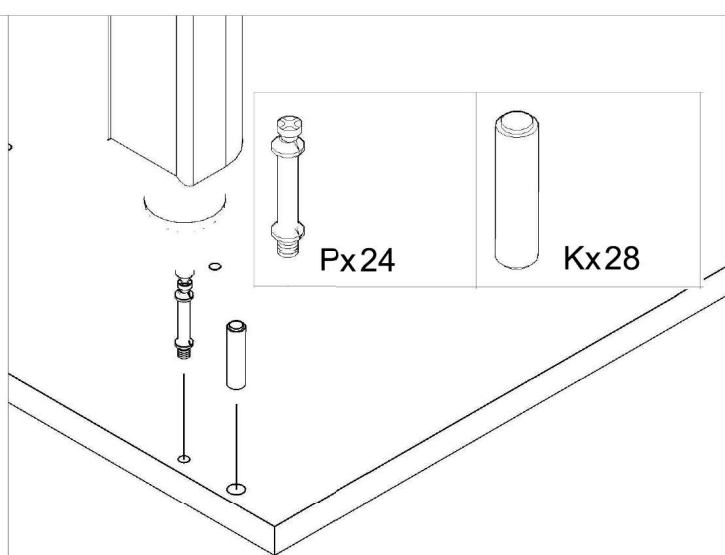
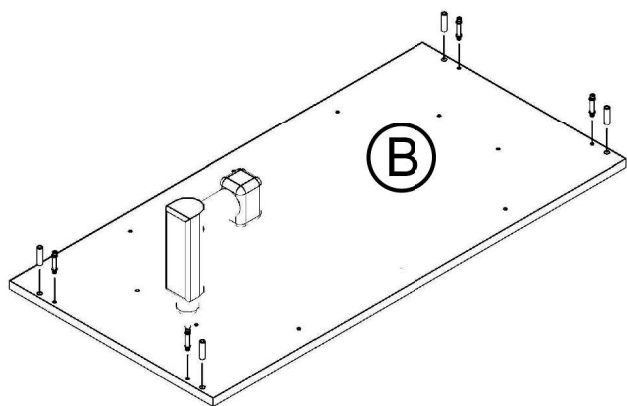
GRK 406



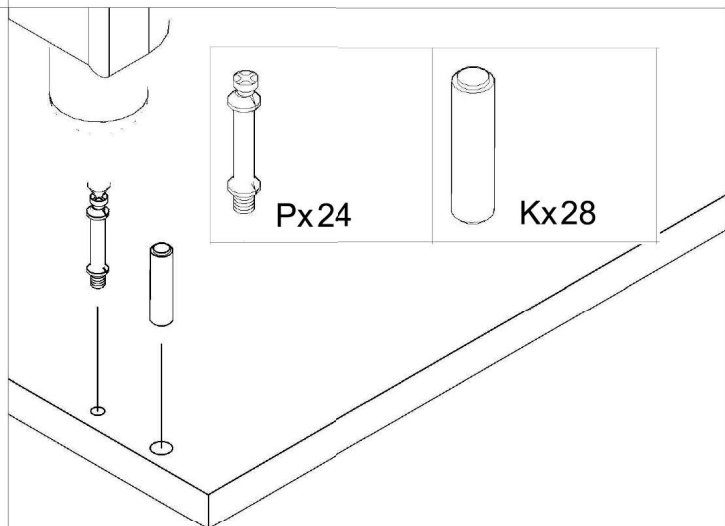
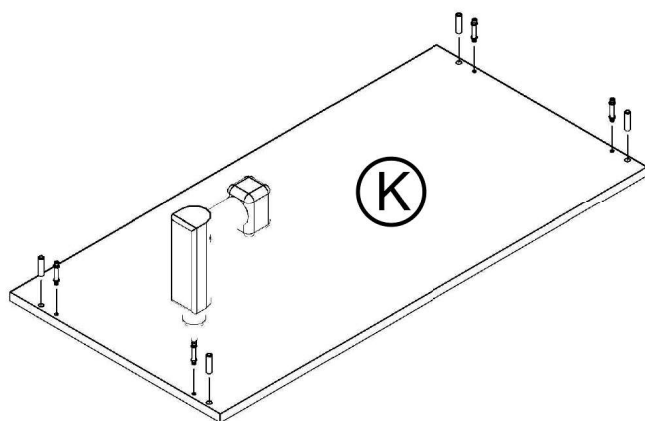


 Px24	 Kx28	 Fx24	 PEx8	 POx6	 BAP x 4
 Ox 3	 Ex12	 KRx30	 Bx12	 B2x12	 B3x 8

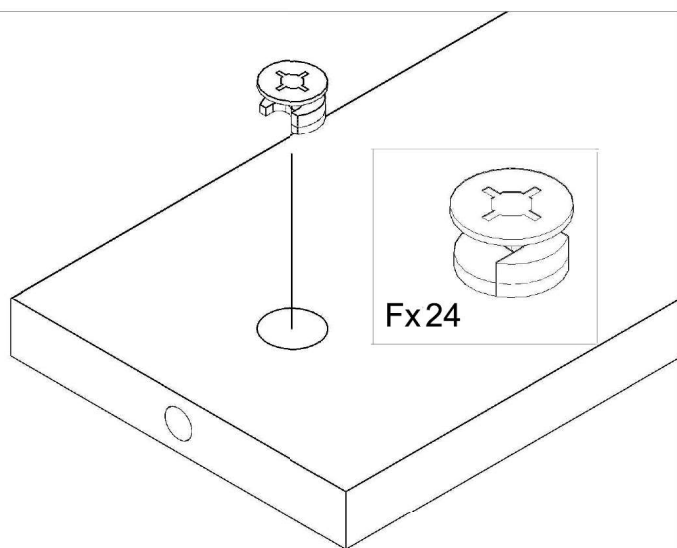
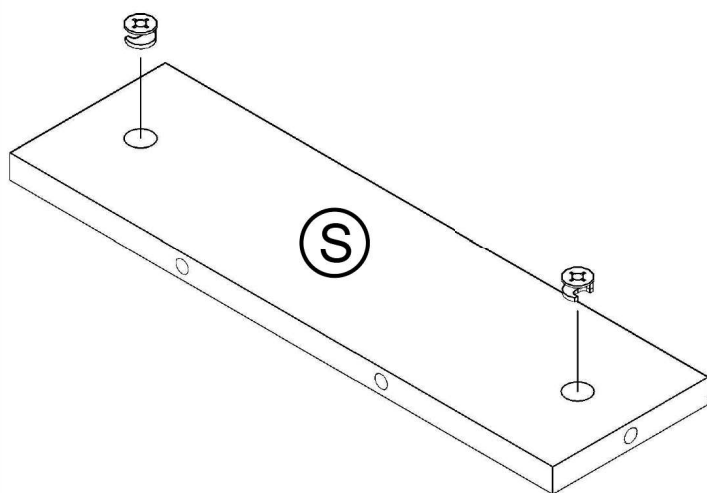
1



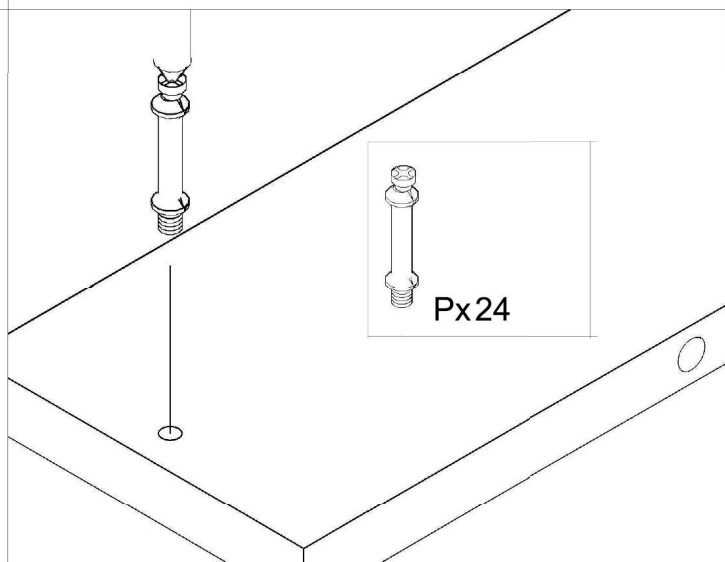
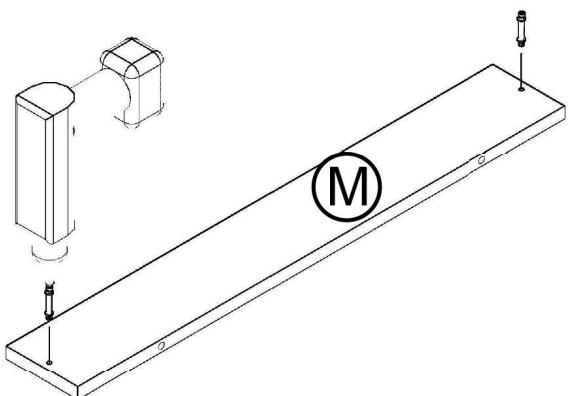
2



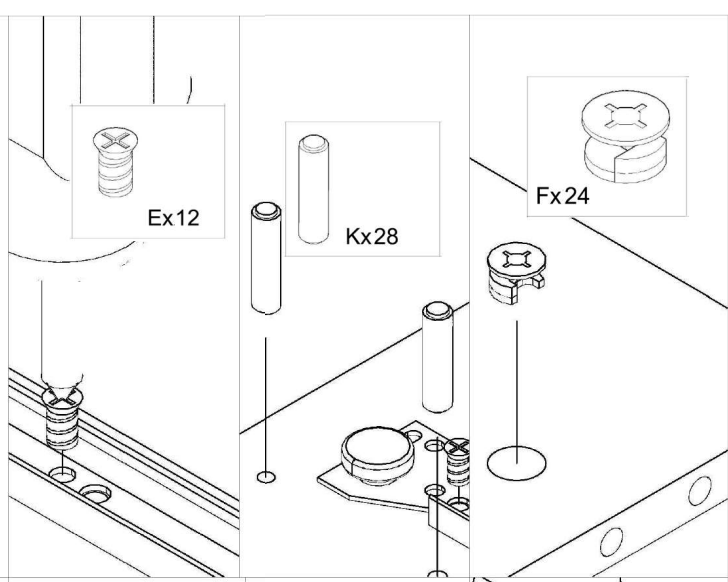
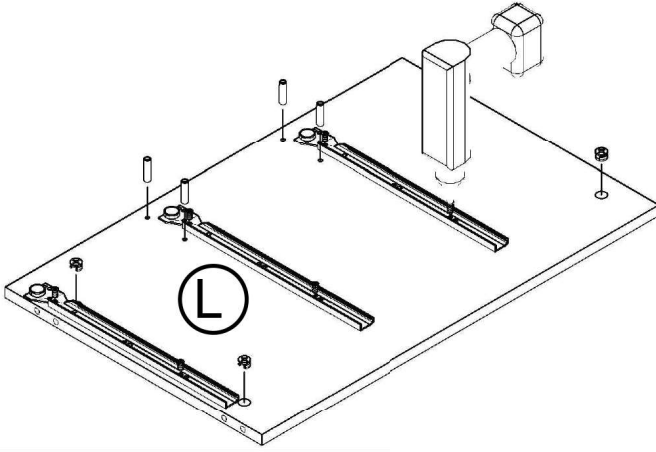
3



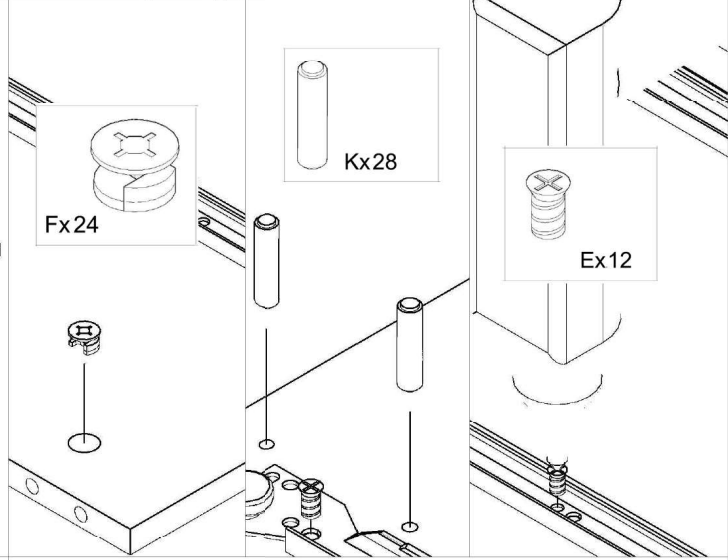
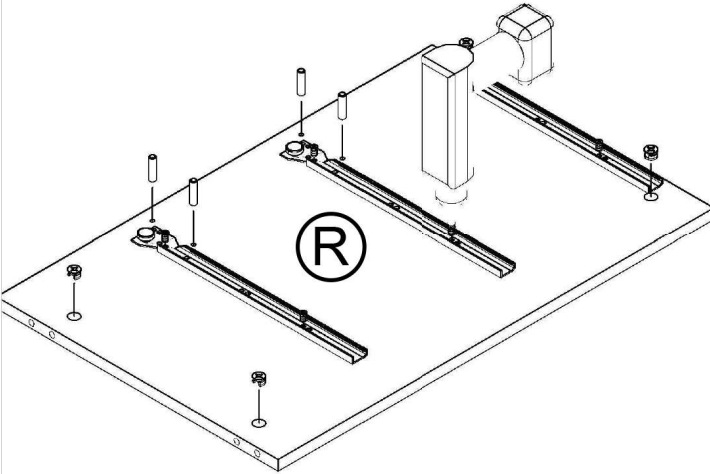
4



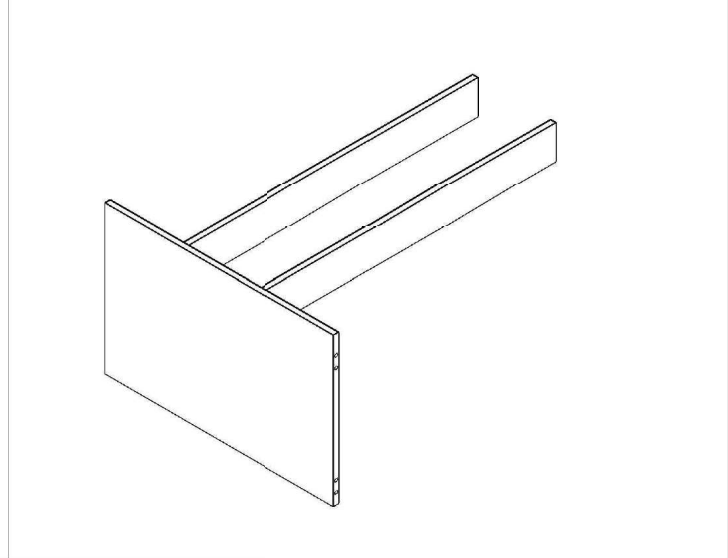
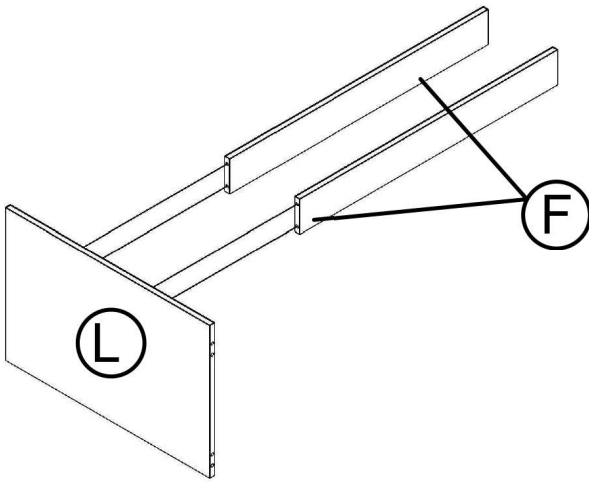
5



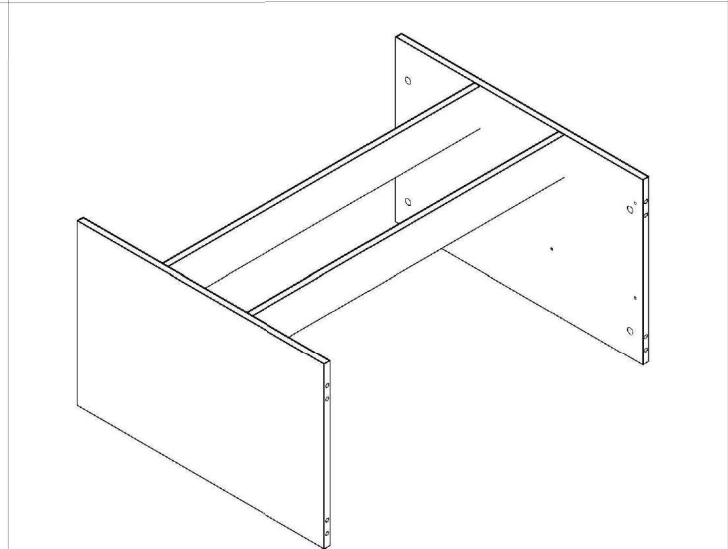
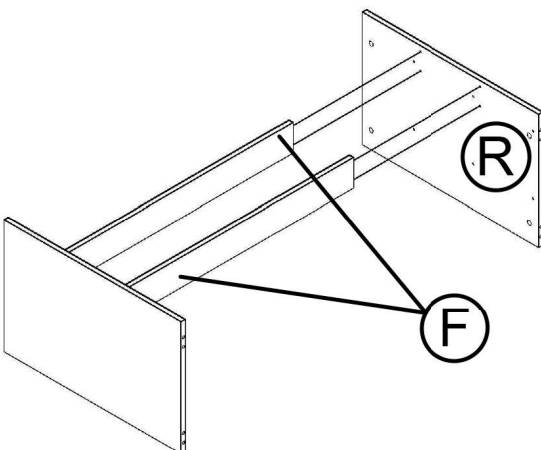
6



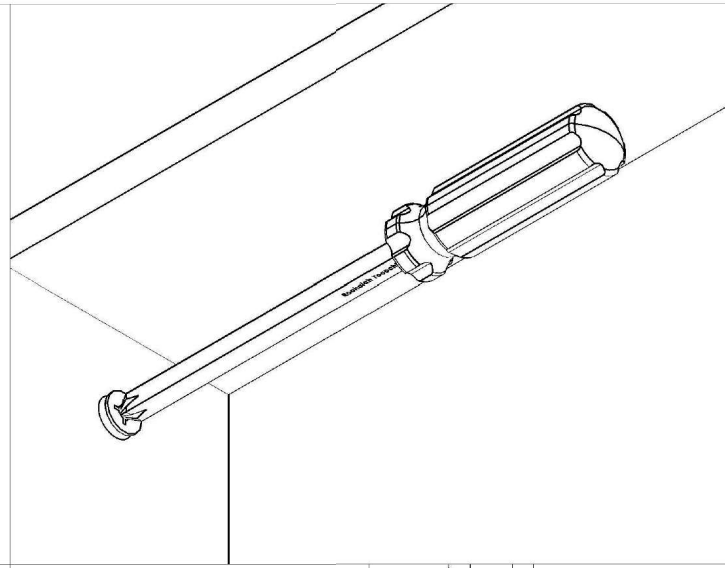
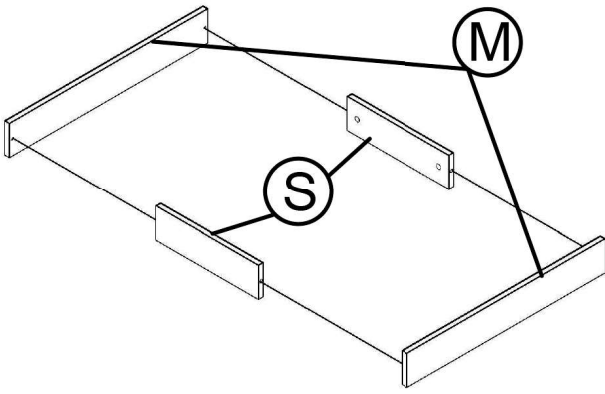
7



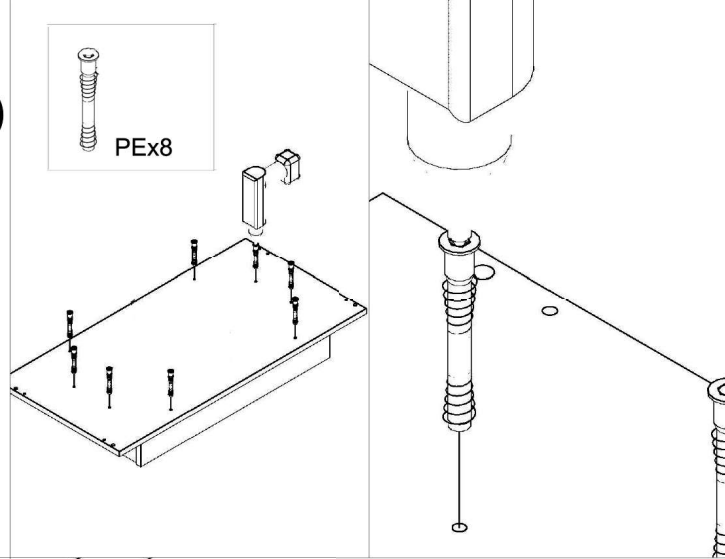
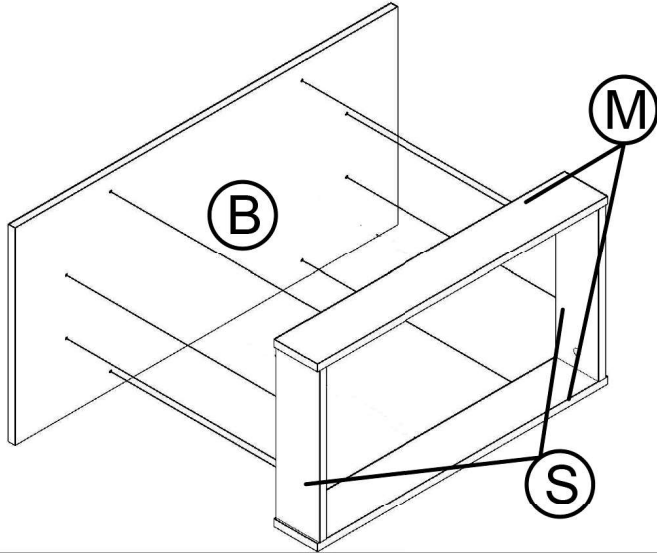
8



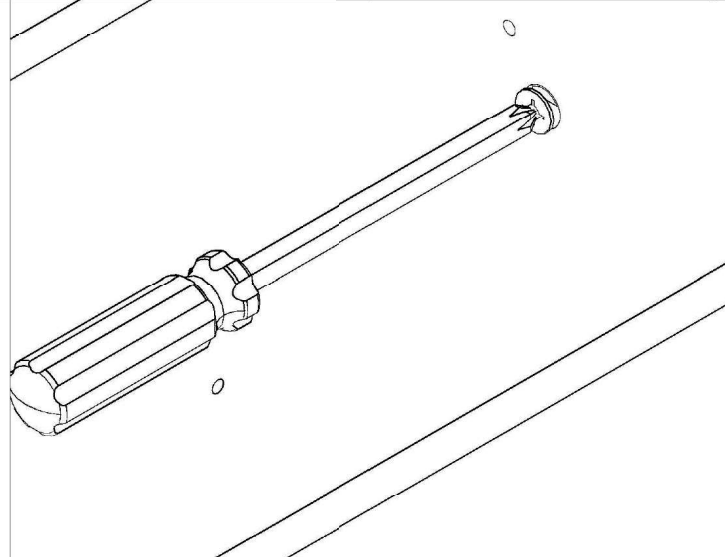
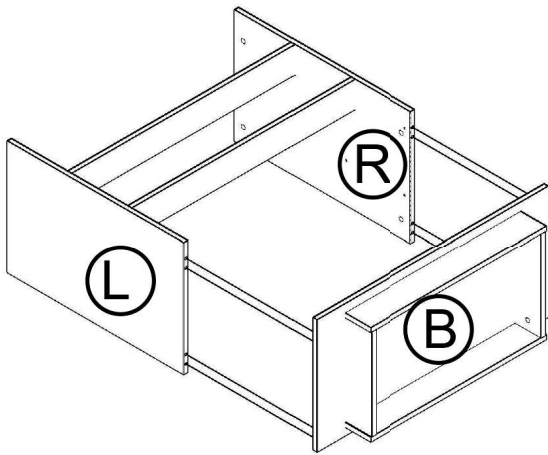
9



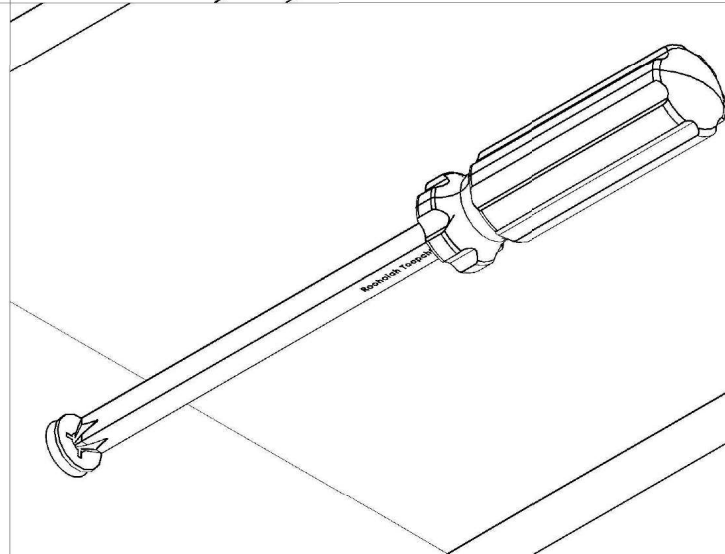
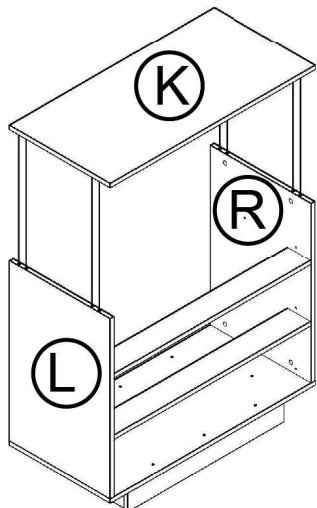
10



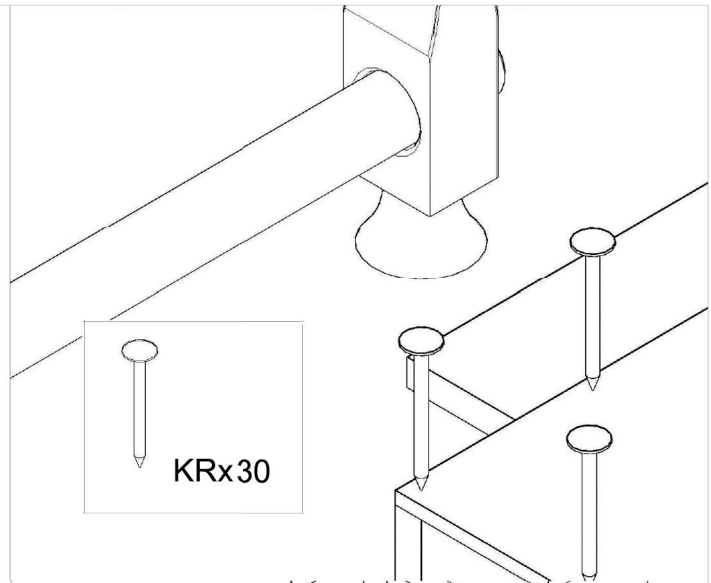
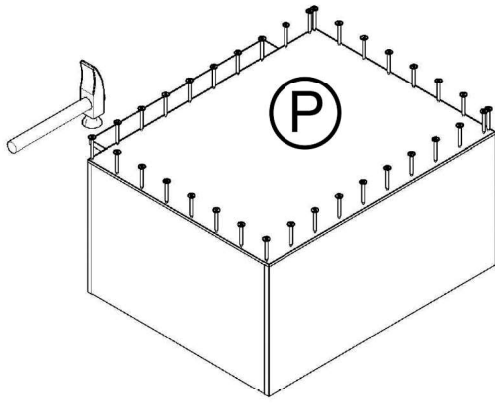
11



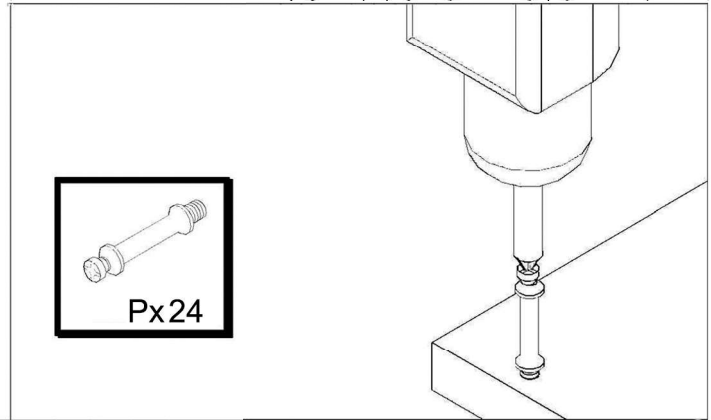
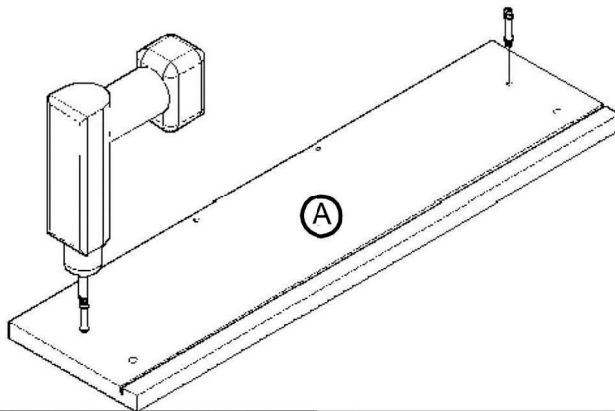
12



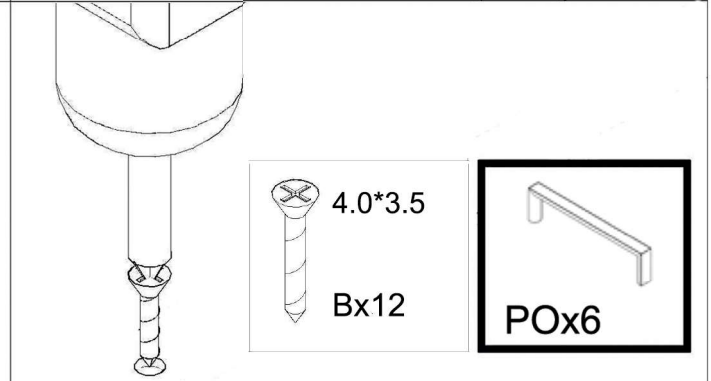
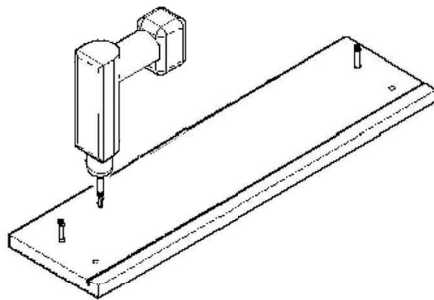
13



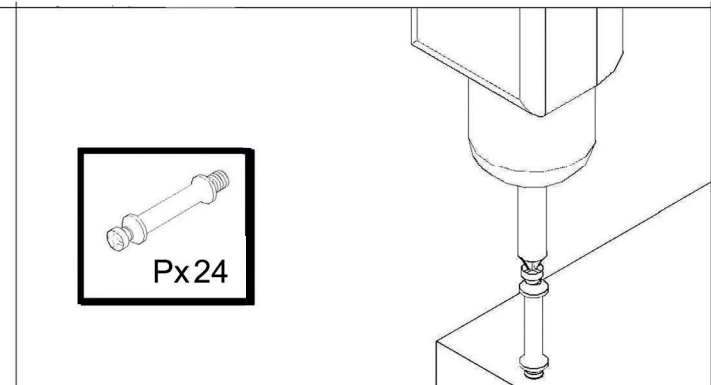
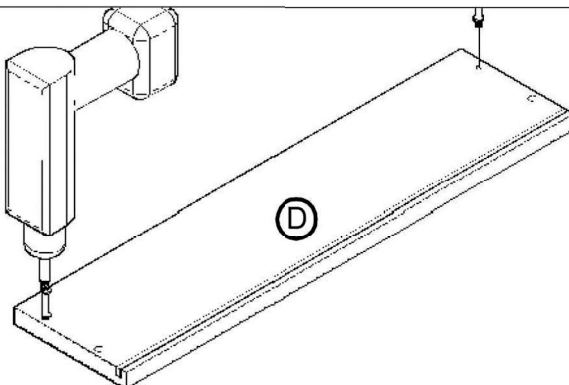
1



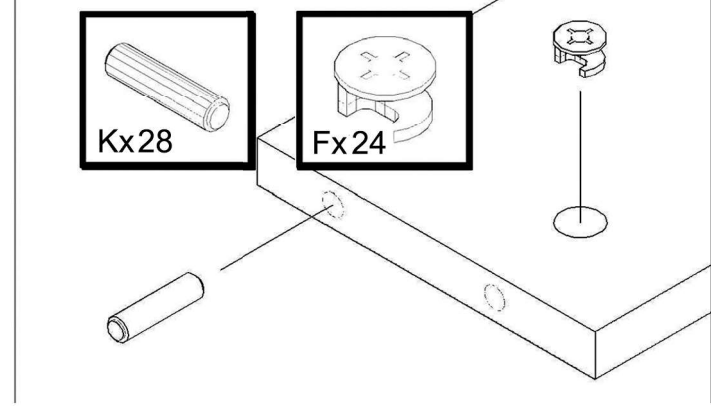
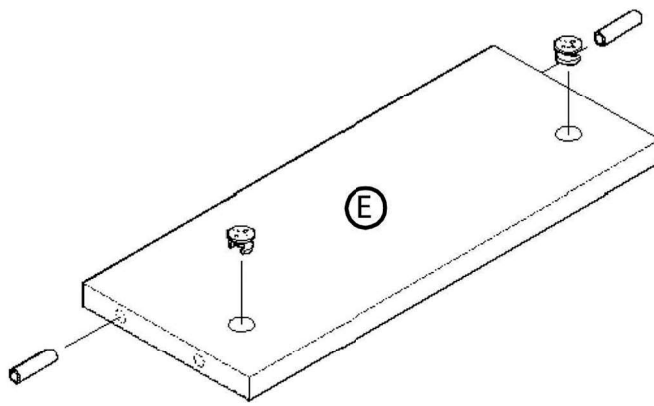
2



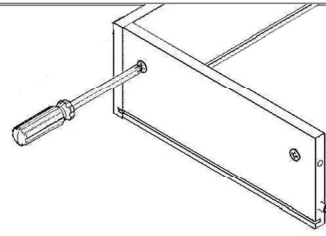
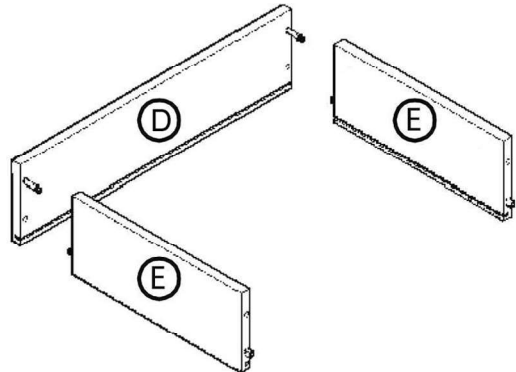
3



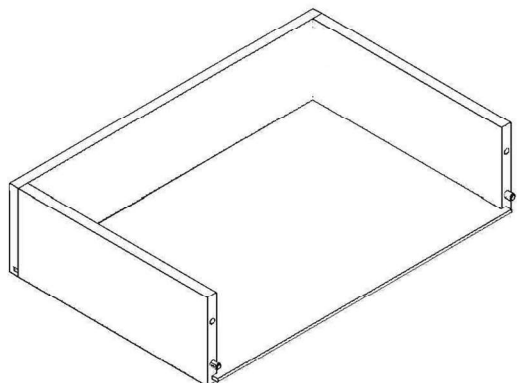
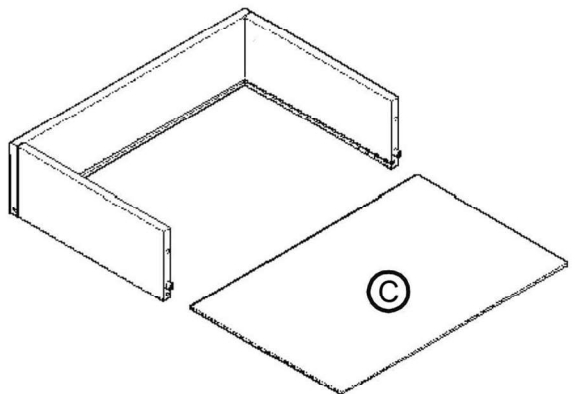
4



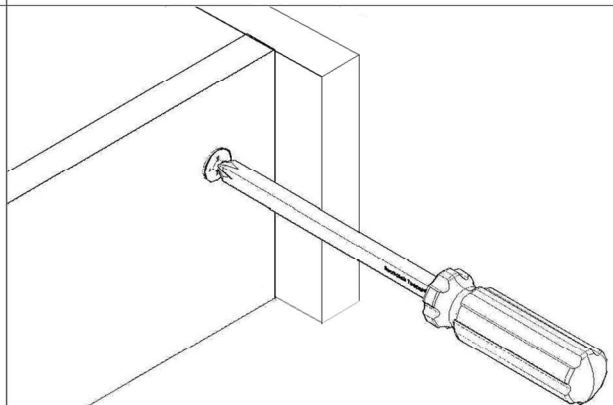
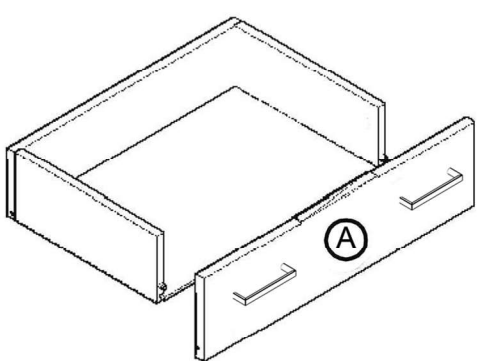
5



6



7



8

