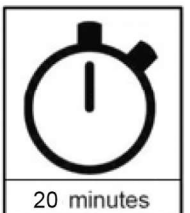
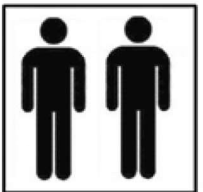
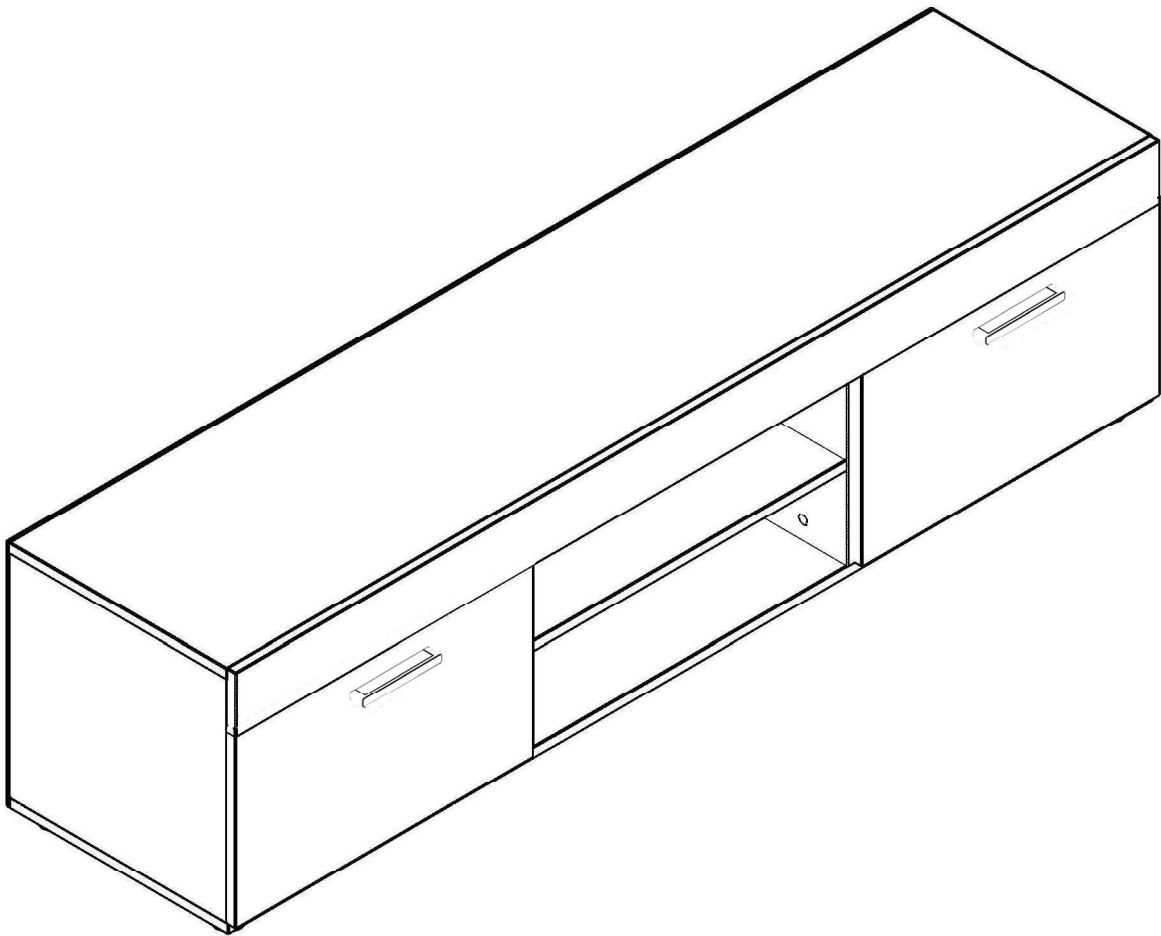
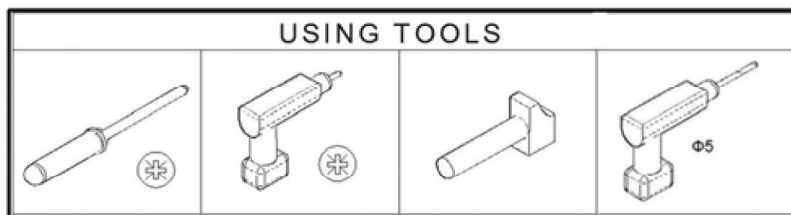
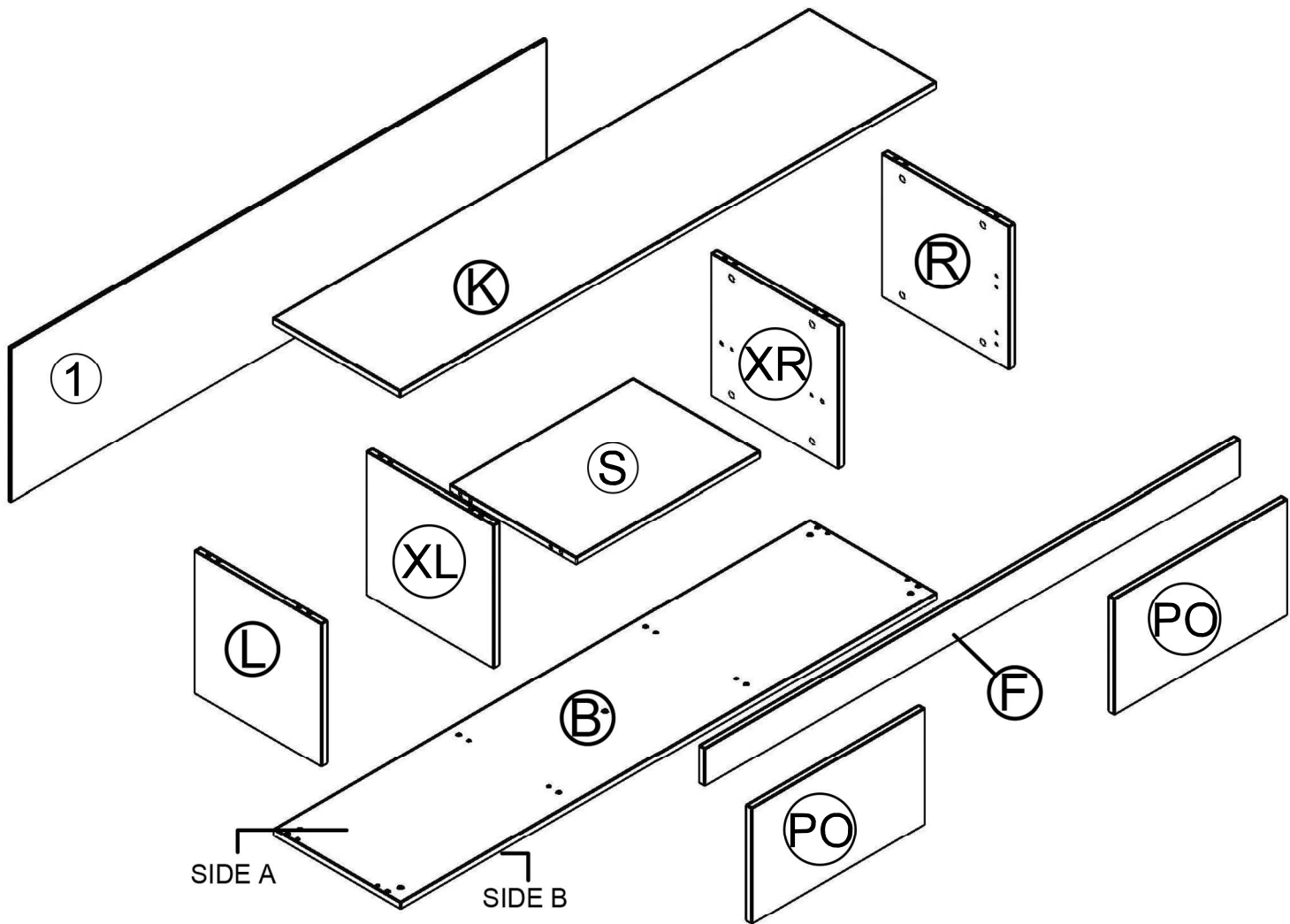


# GRK 43 A

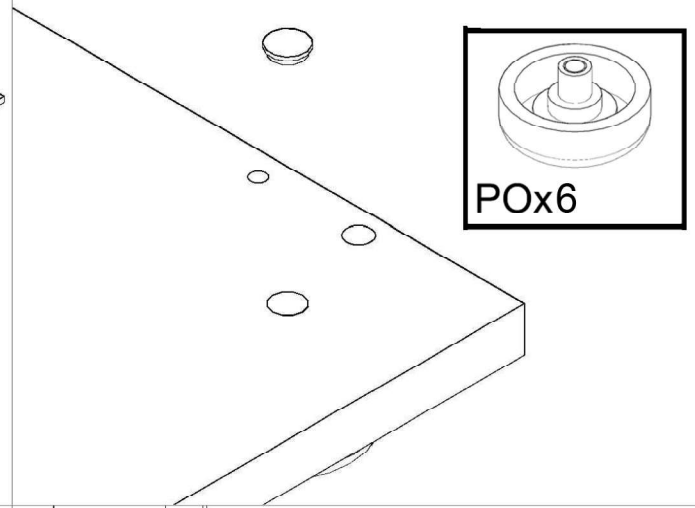
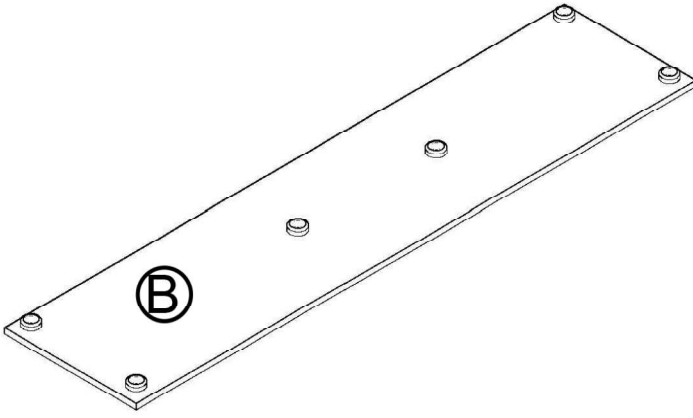




K x 20	F x 20	TP x 20	N x 20	HA x 2	G x 4
P x 20	B2 x 8	MI x 4	B1 x 32	B3 x 4	PO x 6

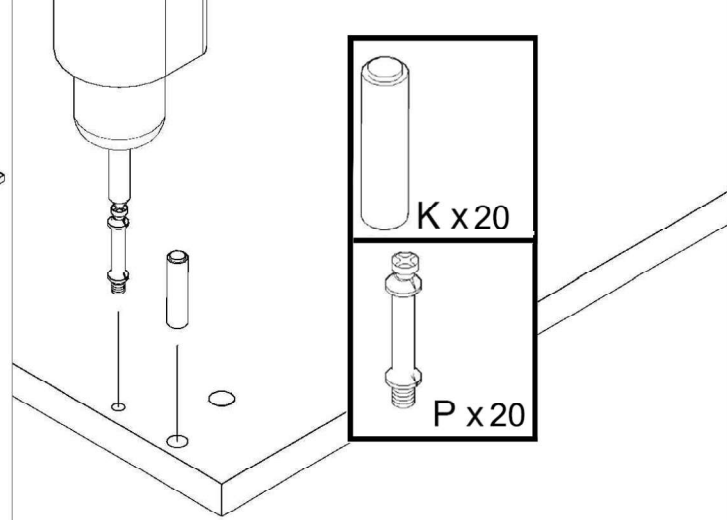
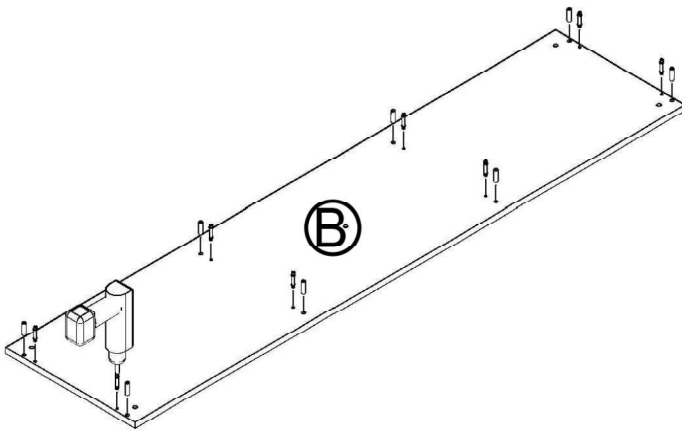
1

SIDE B

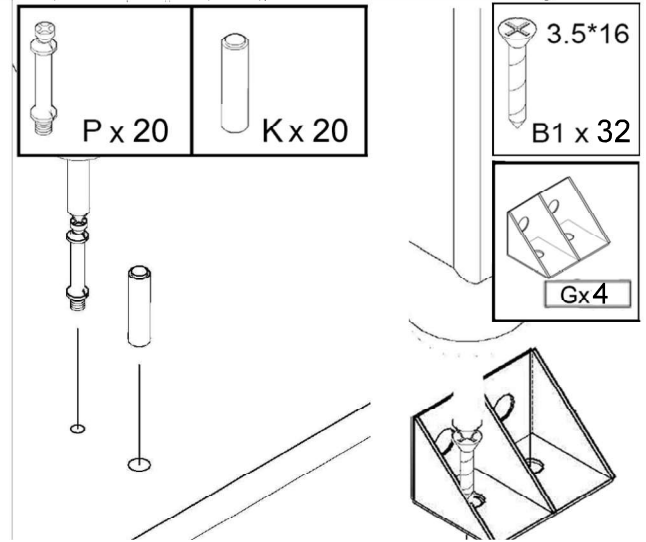
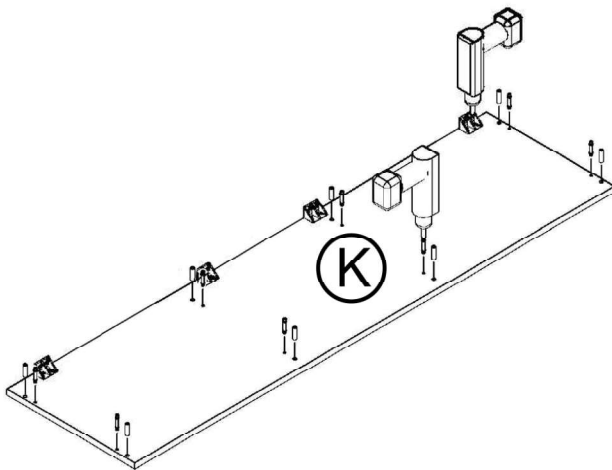


2

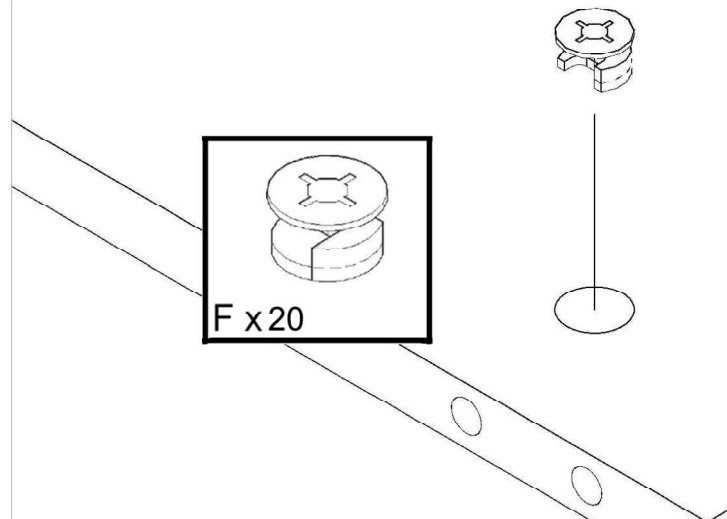
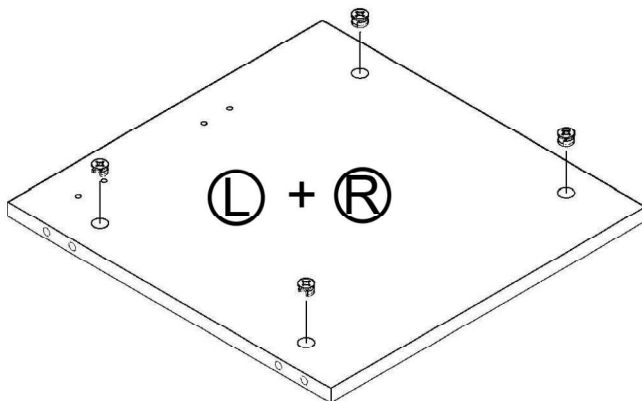
SIDE A



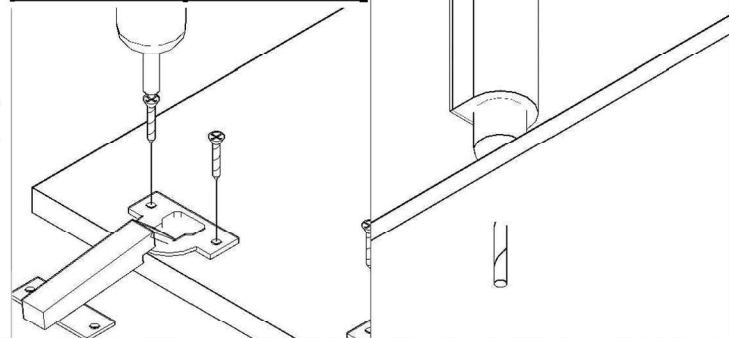
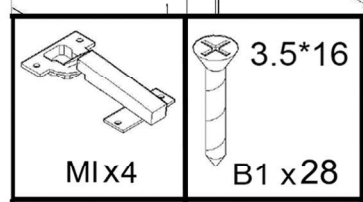
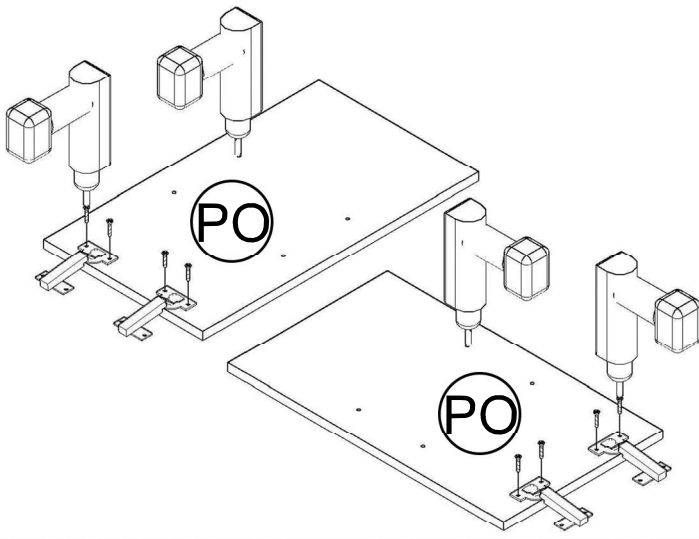
3



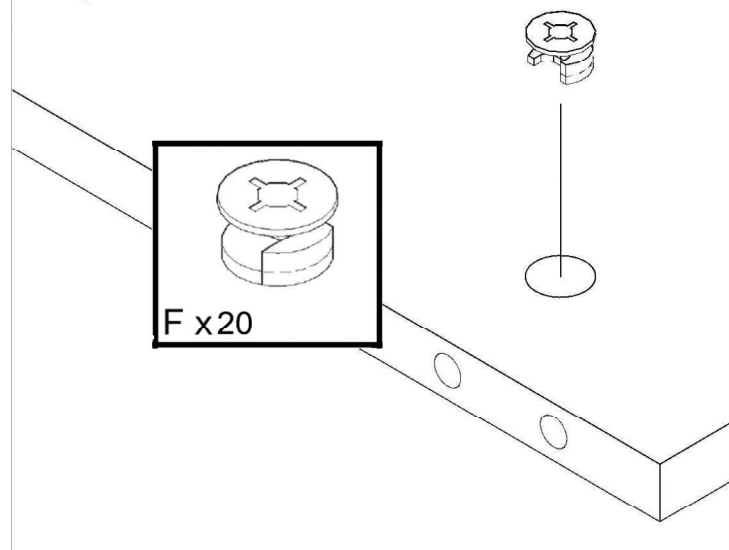
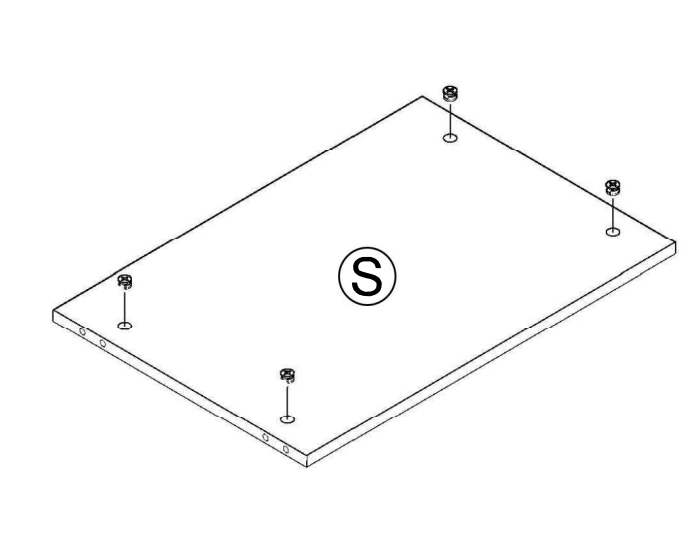
4



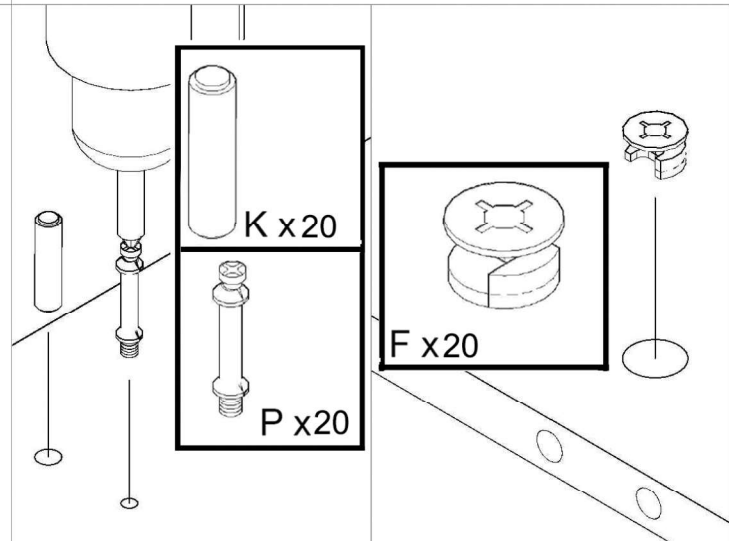
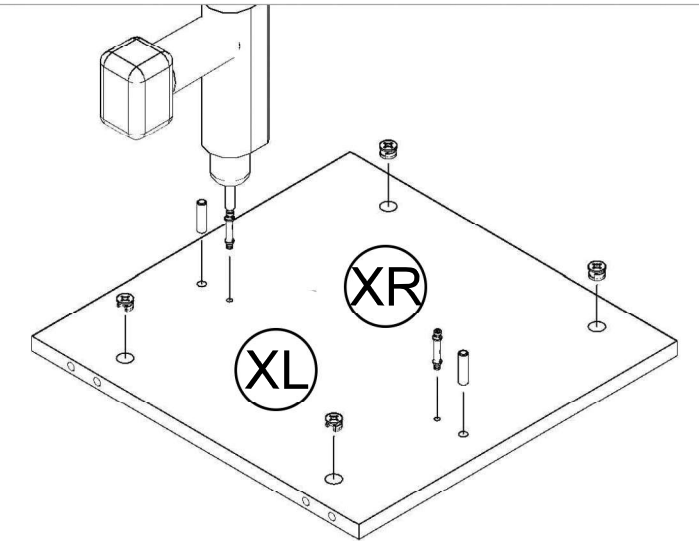
5



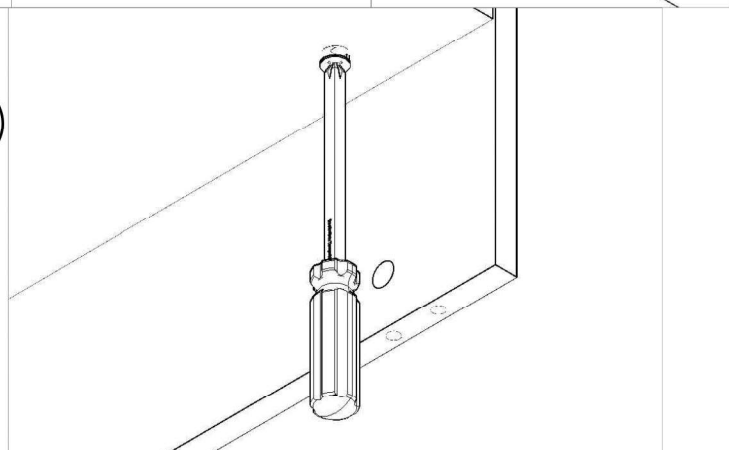
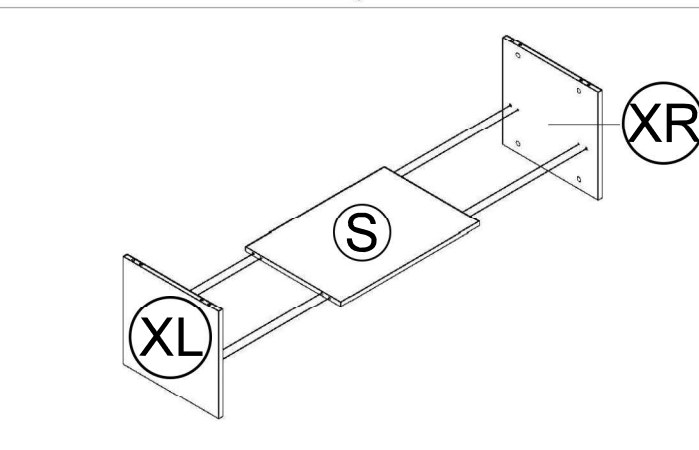
6



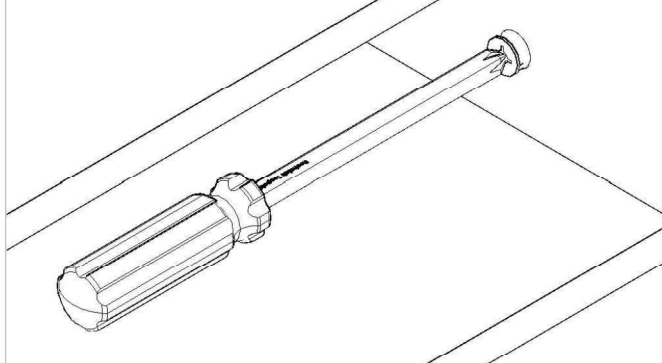
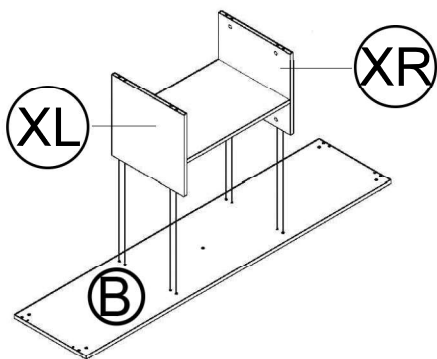
7



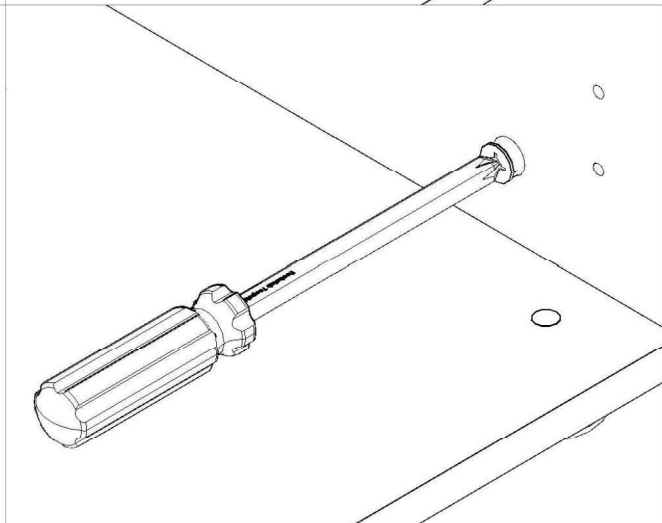
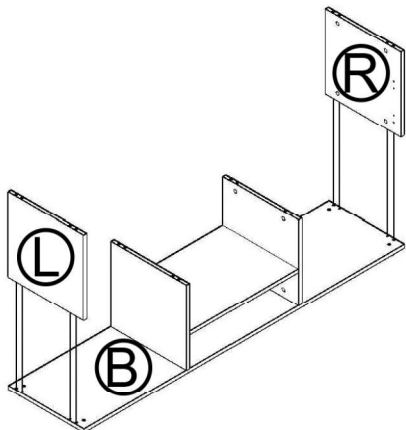
8



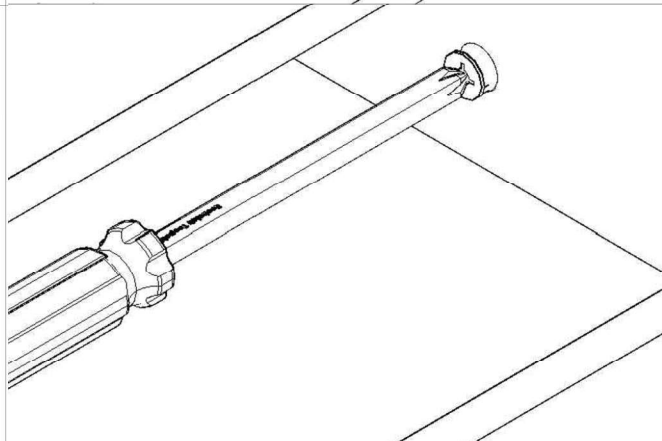
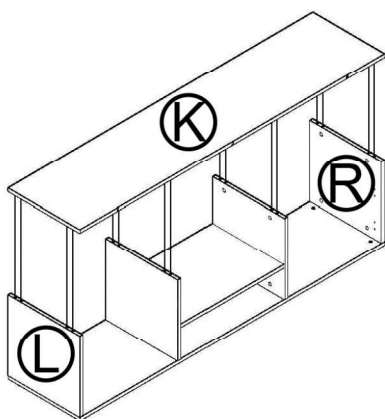
9



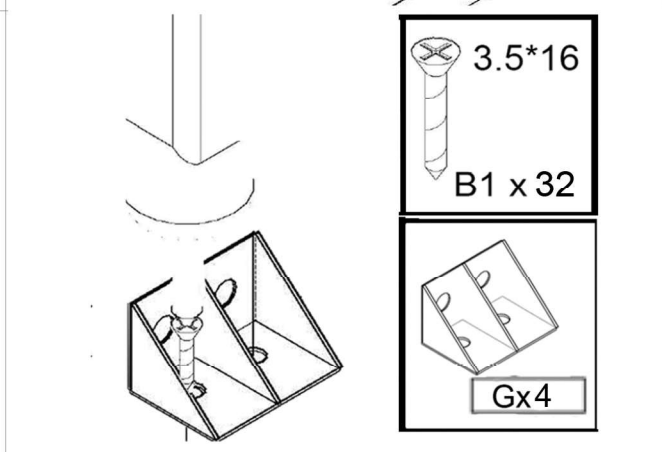
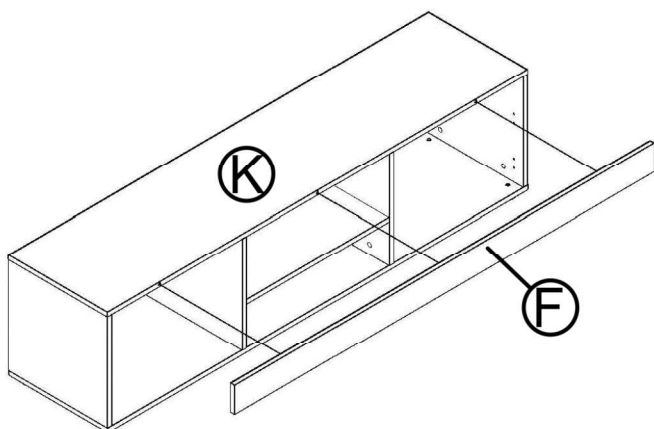
10



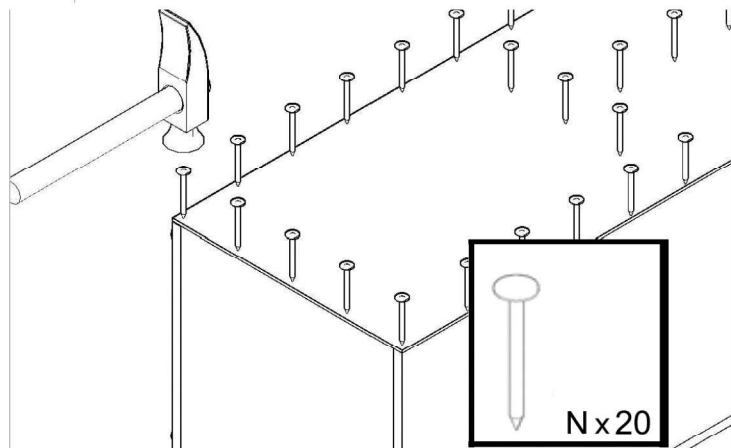
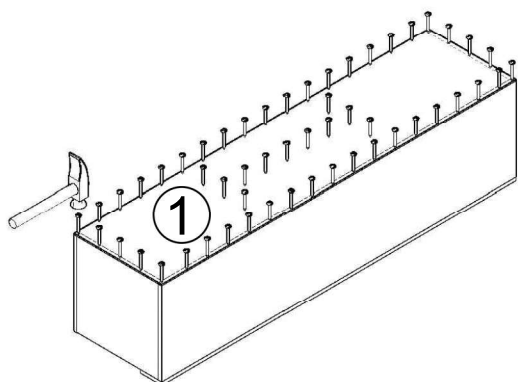
11



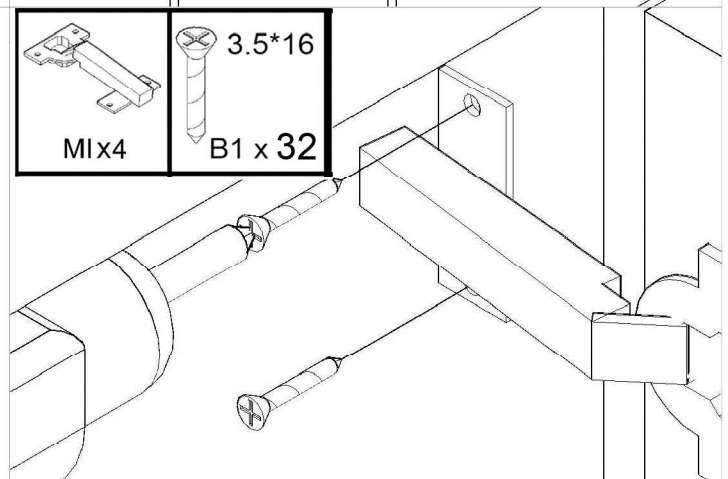
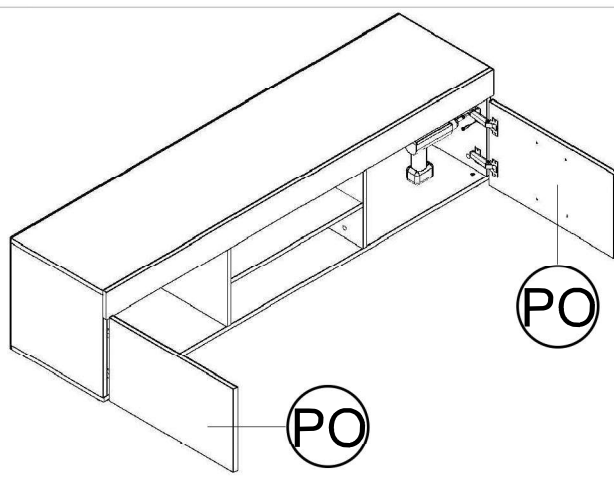
12



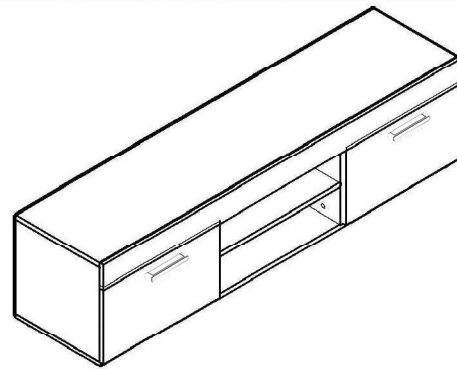
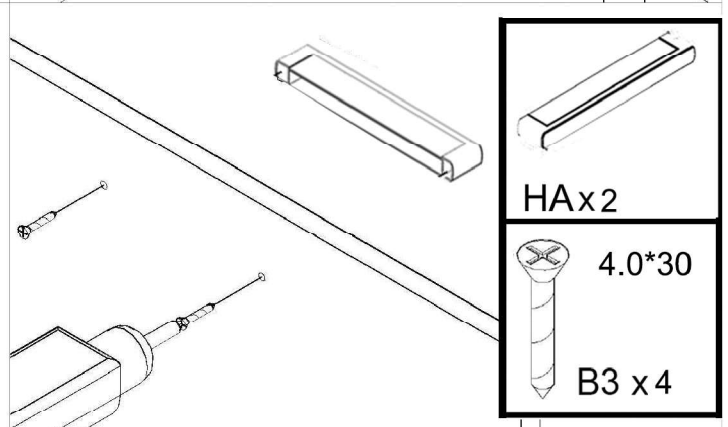
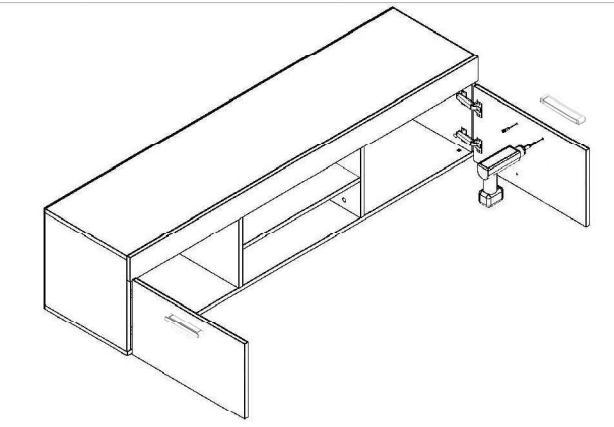
13



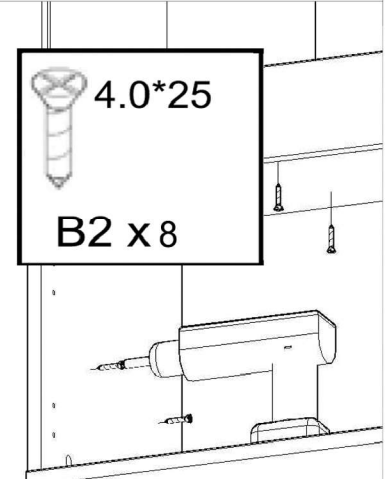
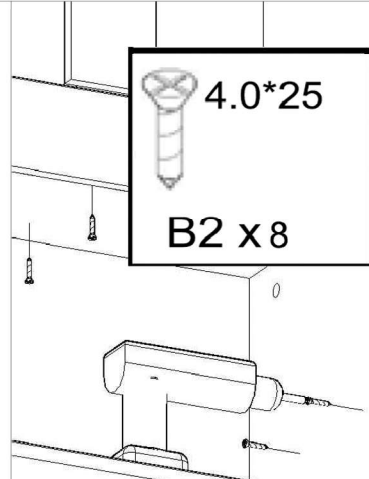
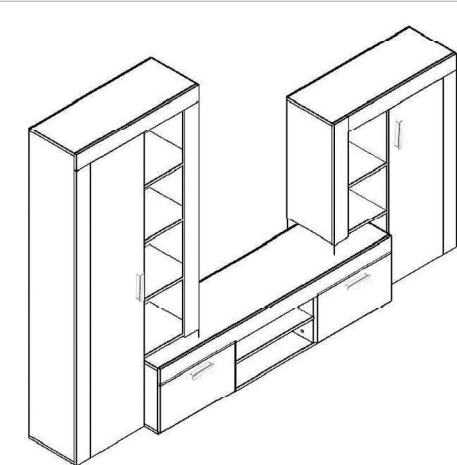
# 14

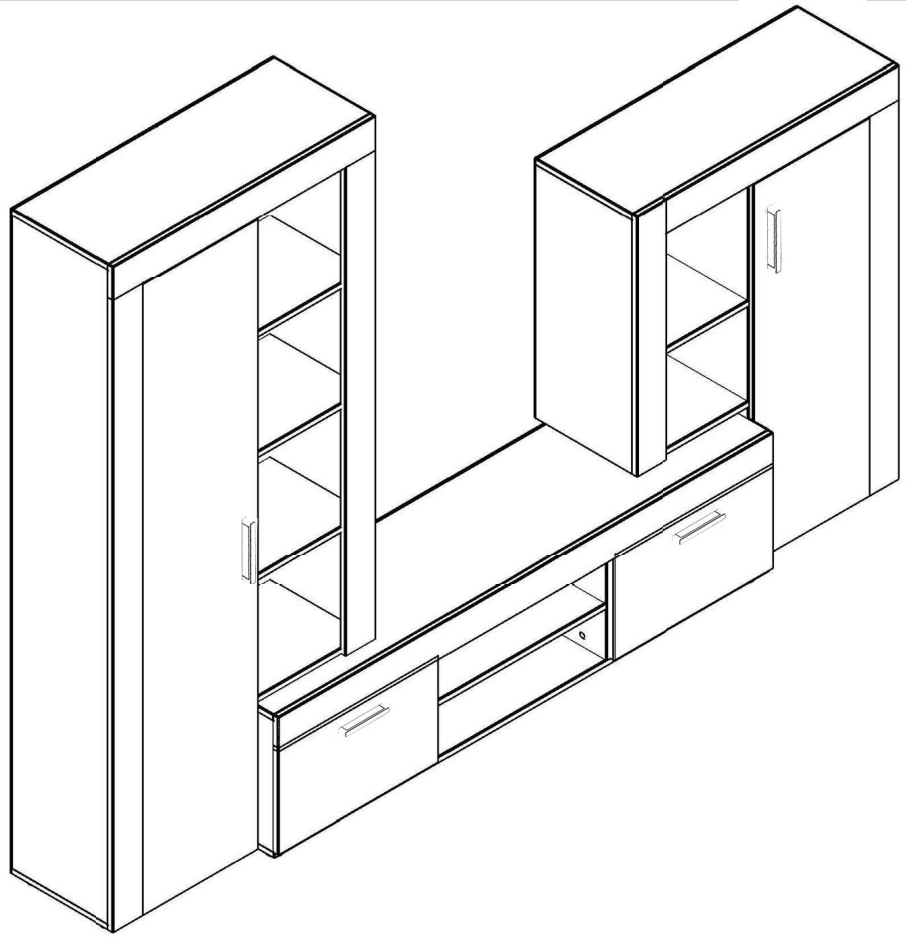


# 15

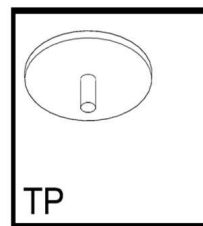
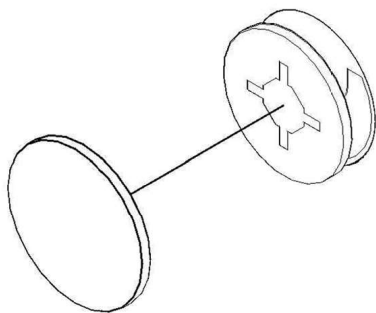


# 16

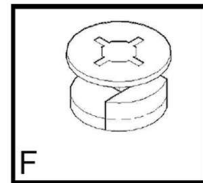




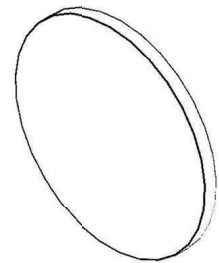
**PLASTIC COVER CAPS FOR SCREWS**



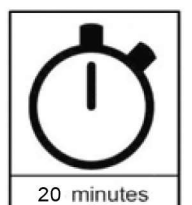
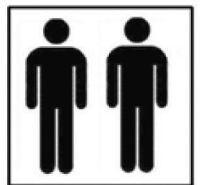
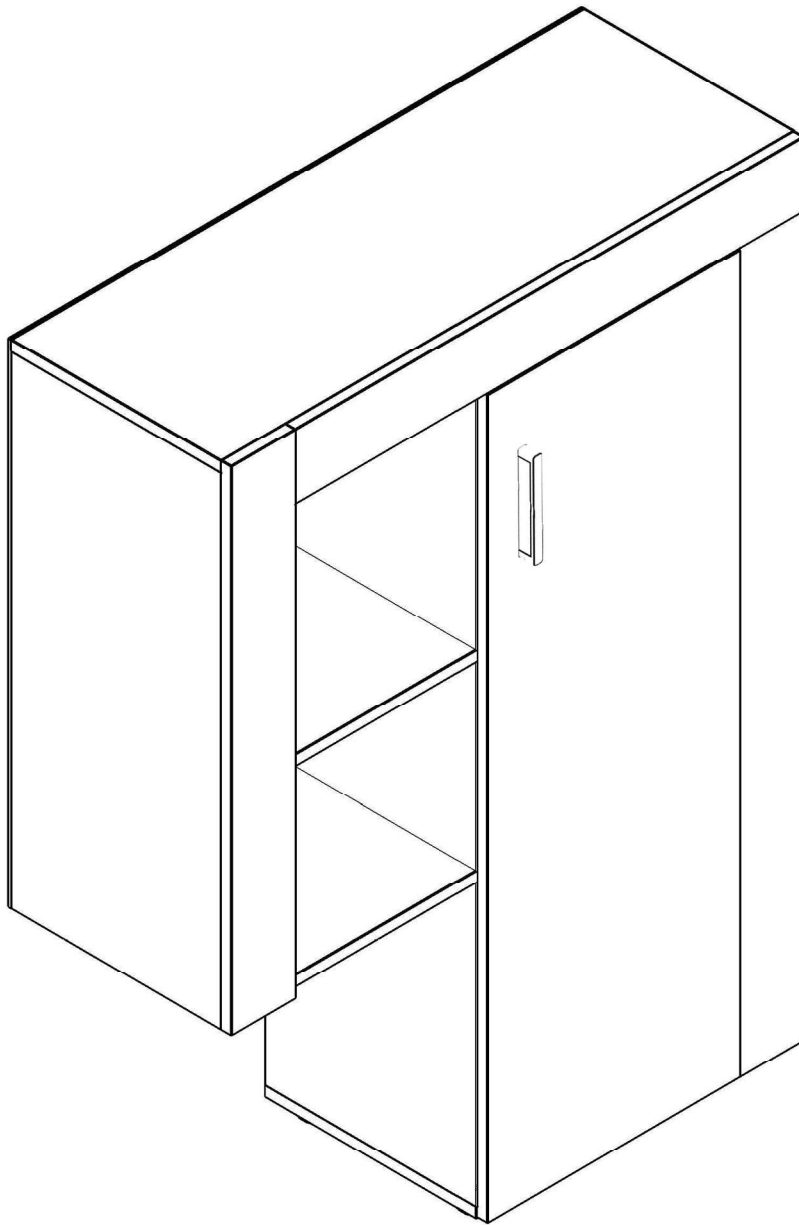
TP



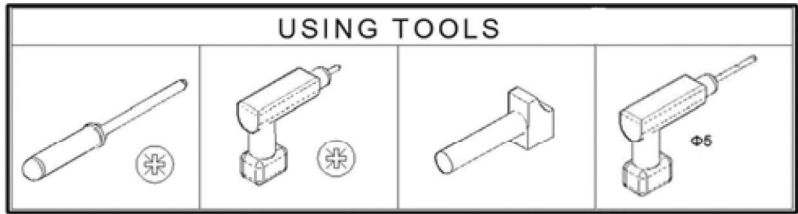
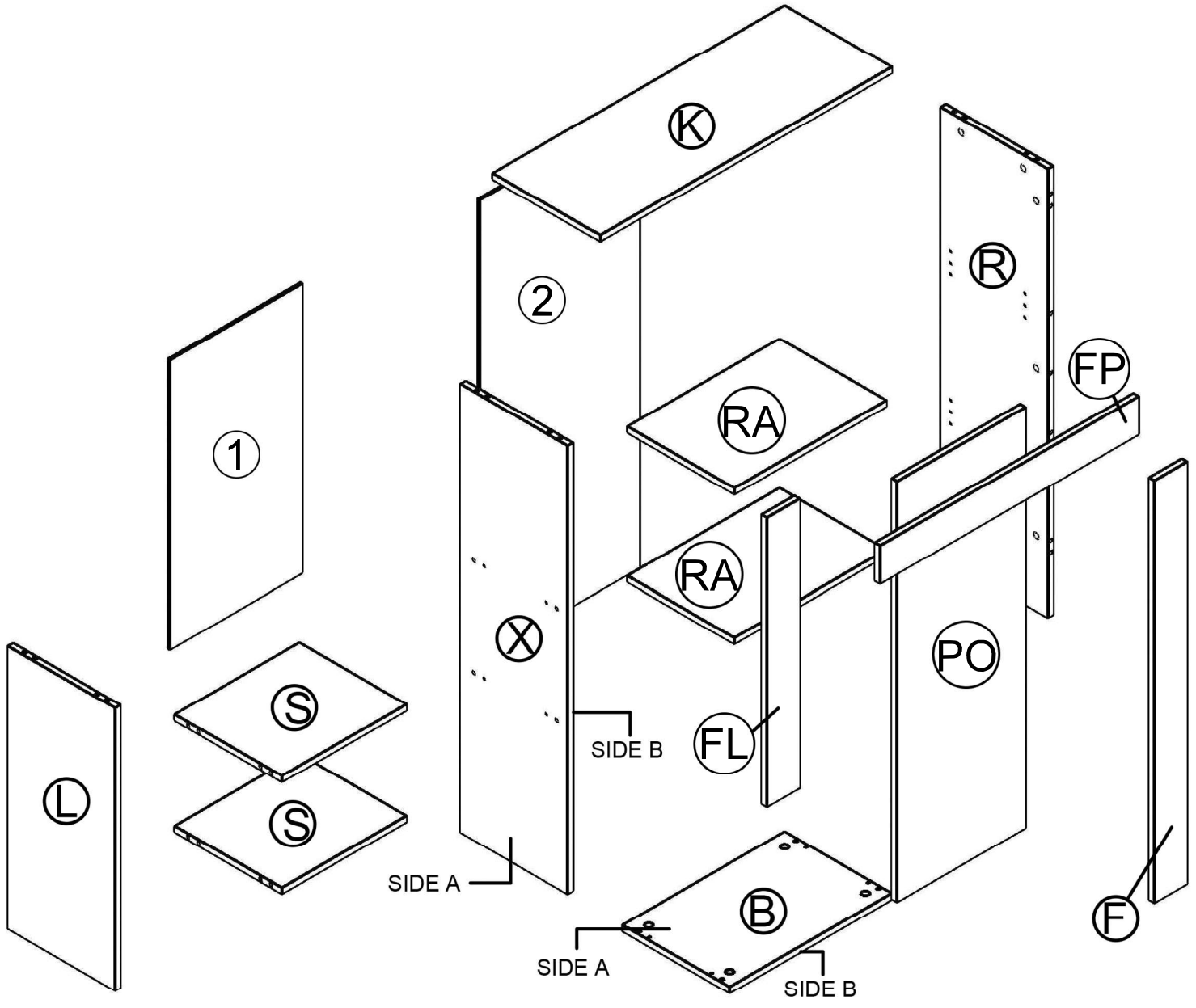
F






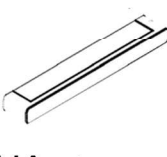


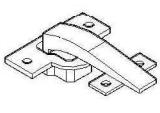
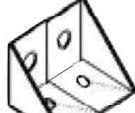
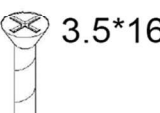

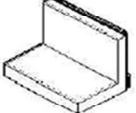


# GRK43 B



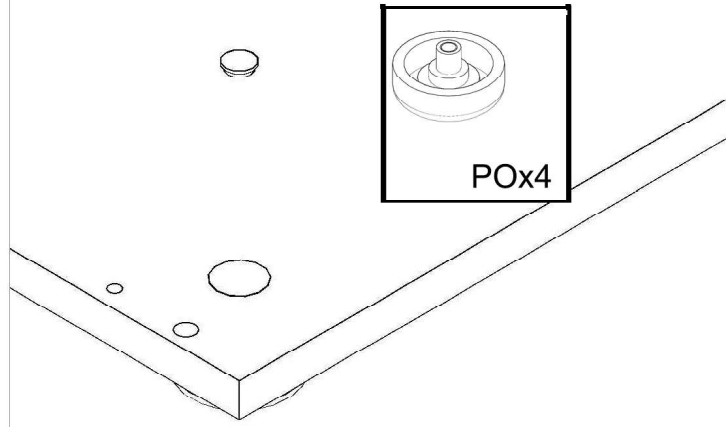
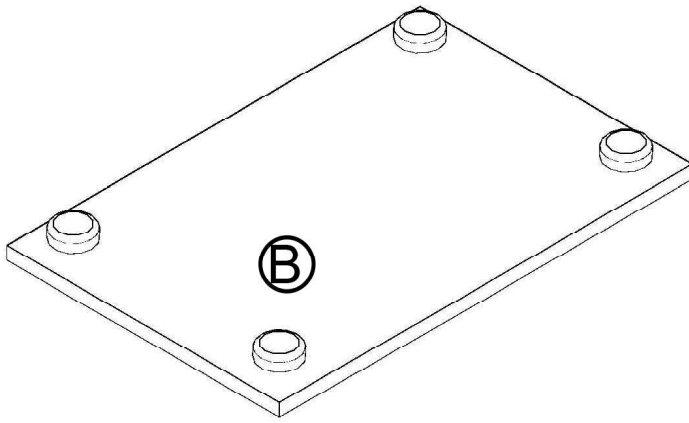




 P x21	 K x22	 F x21	 TP x21	 N x20	 HA x1	
 PO x4	 T x8	 MC x2	 G x 5	 B1 x 30	 B3 x 2	 GK x1

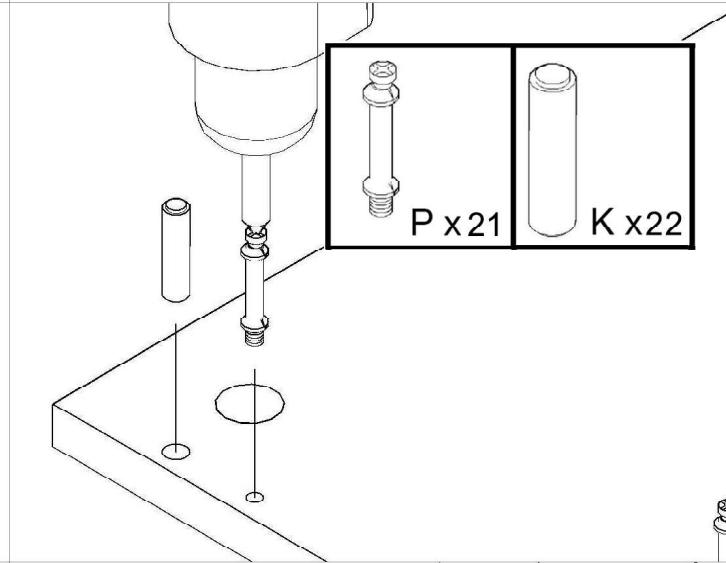
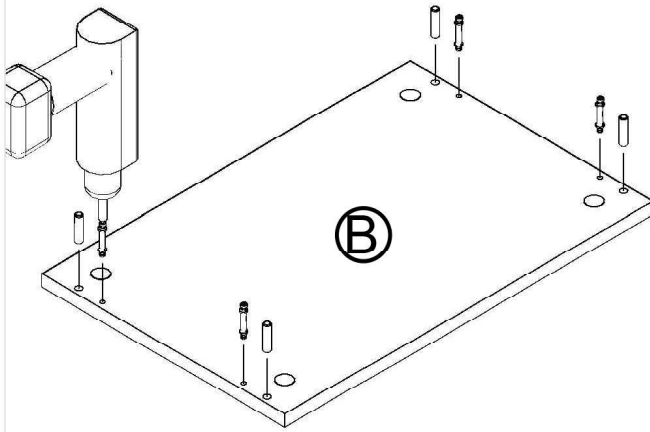
# 1

SIDE B

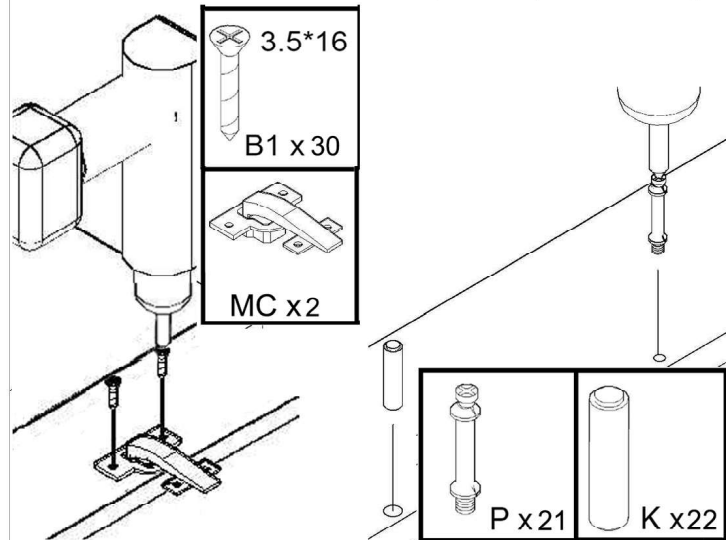
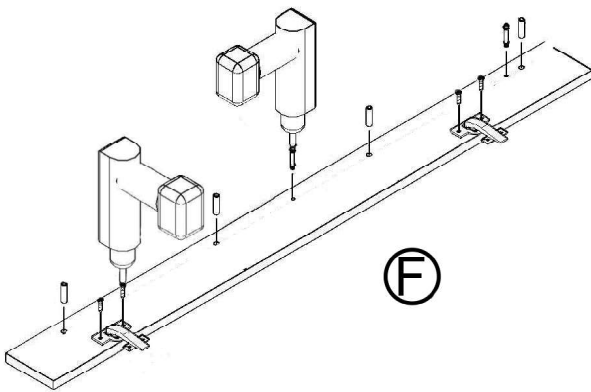


# 2

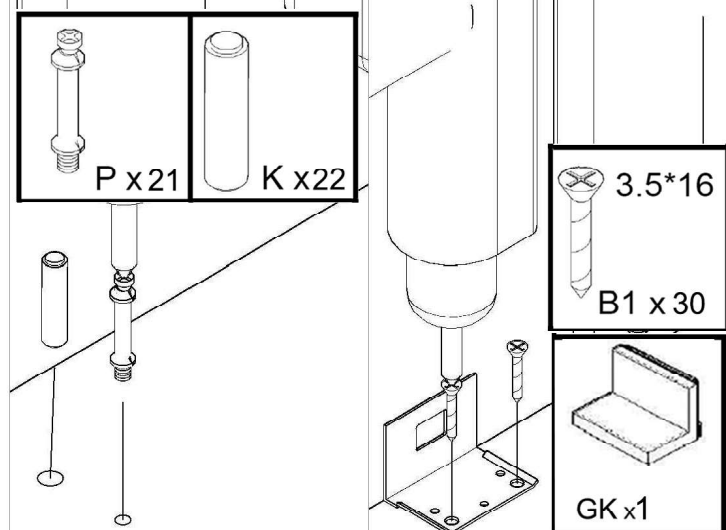
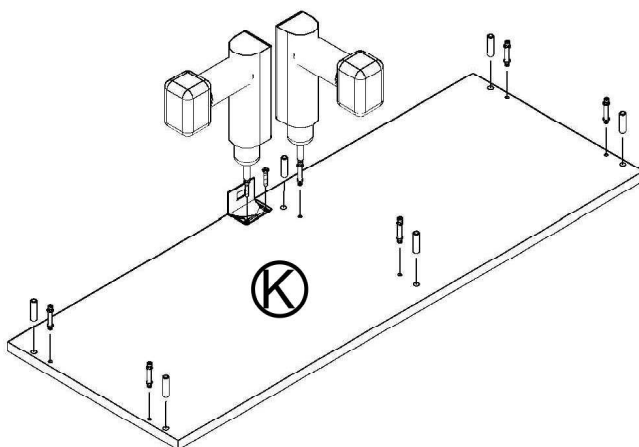
SIDE A



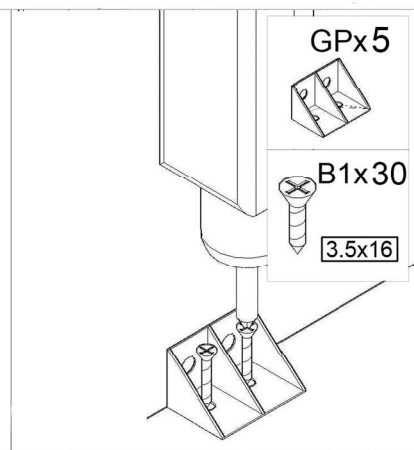
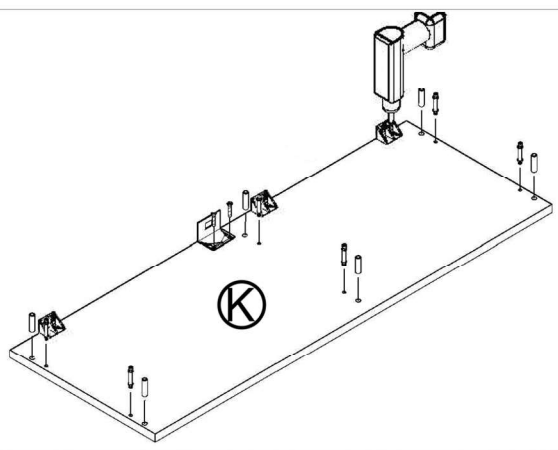
# 3



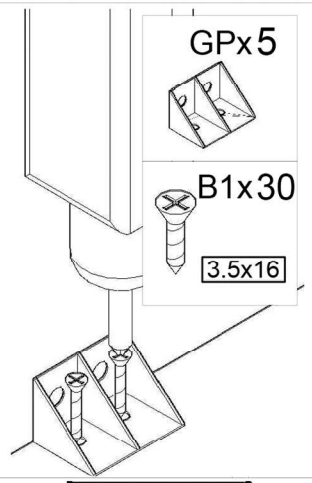
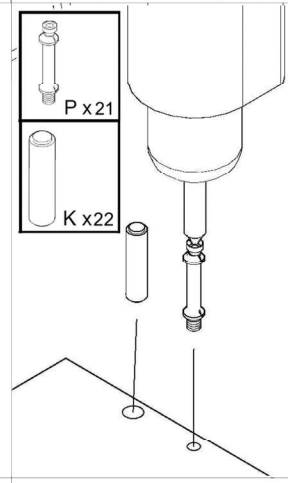
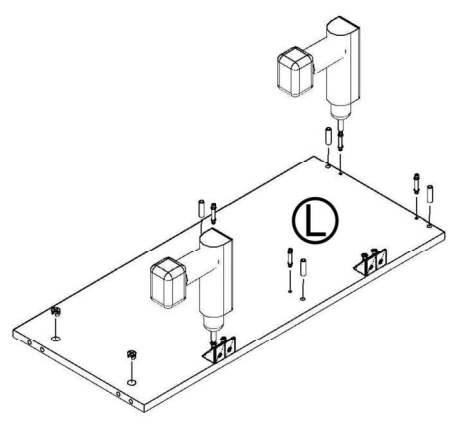
# 4



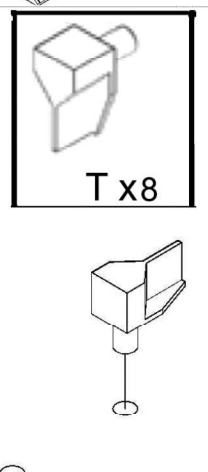
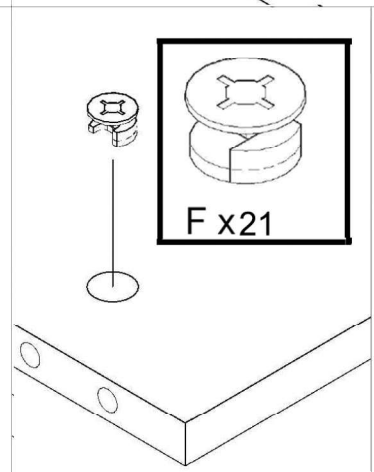
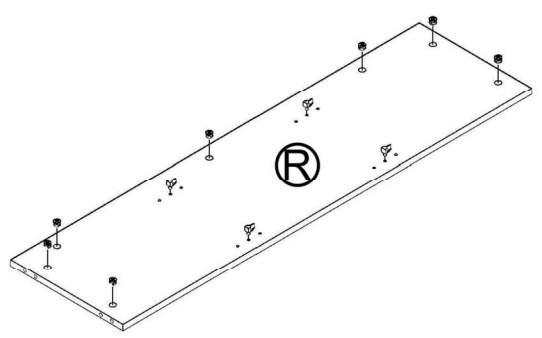
5



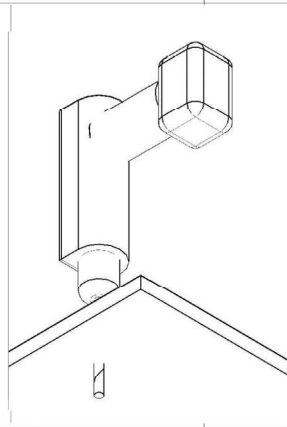
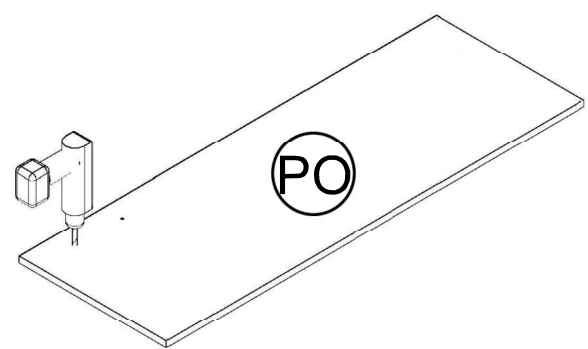
6



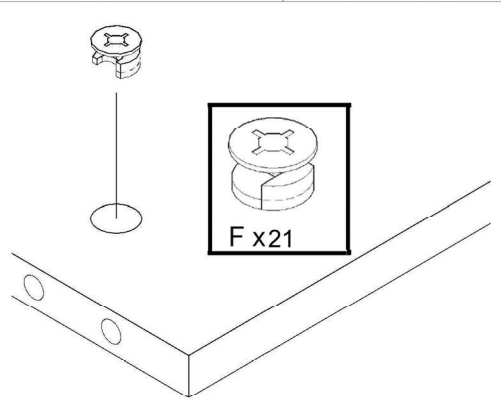
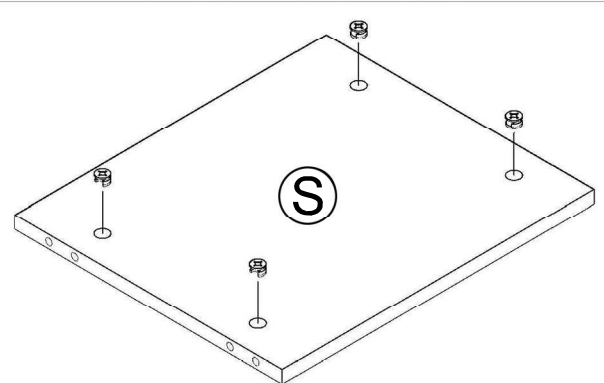
7



8

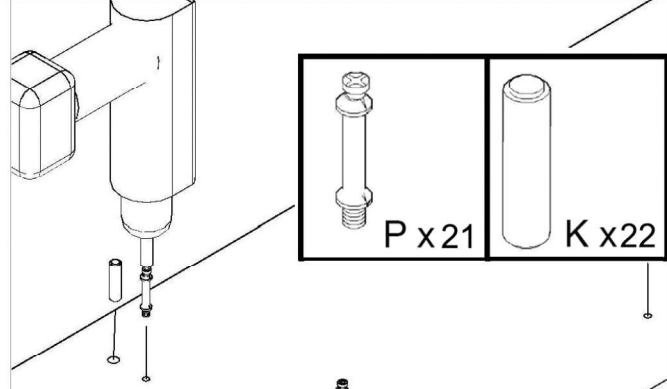
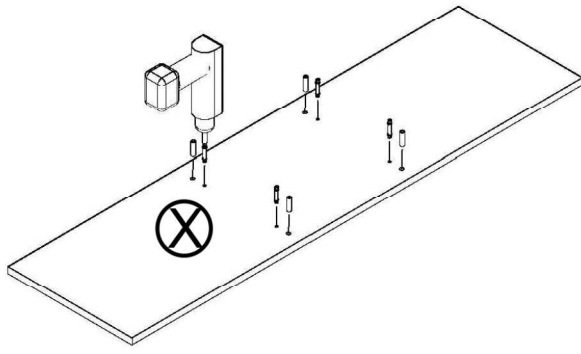


9



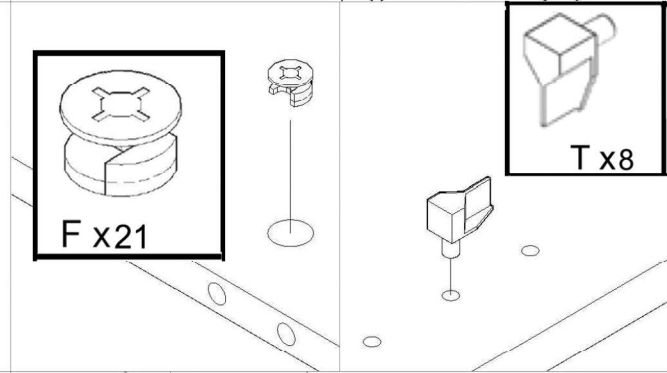
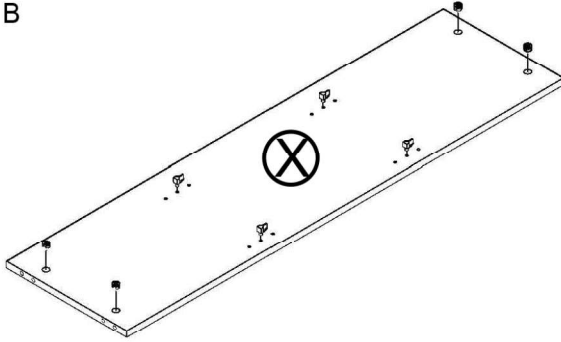
# 10

SIDE A

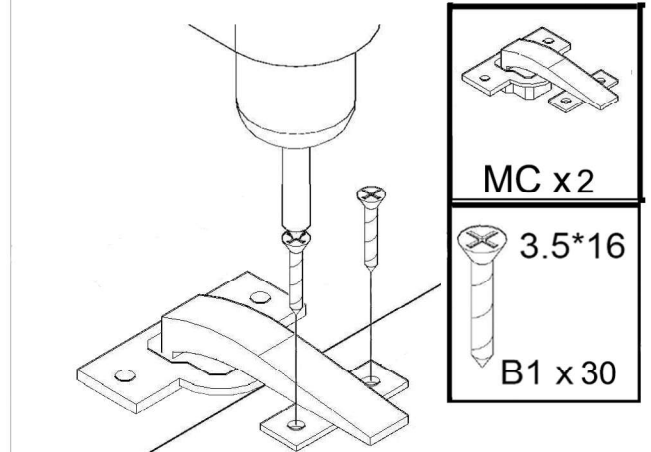
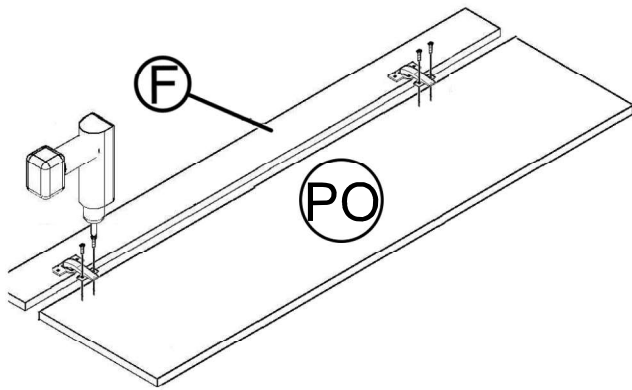


# 11

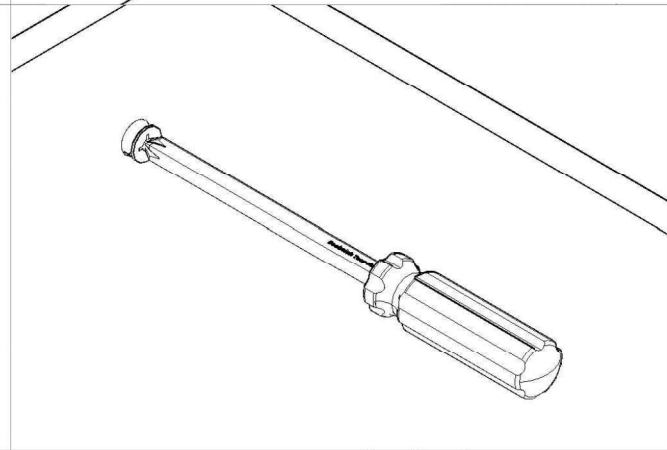
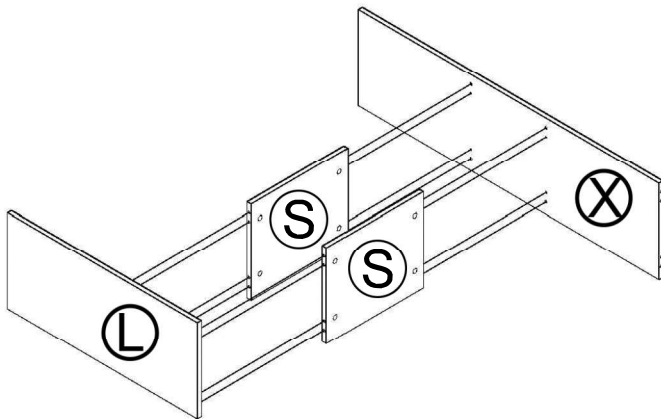
SIDE B



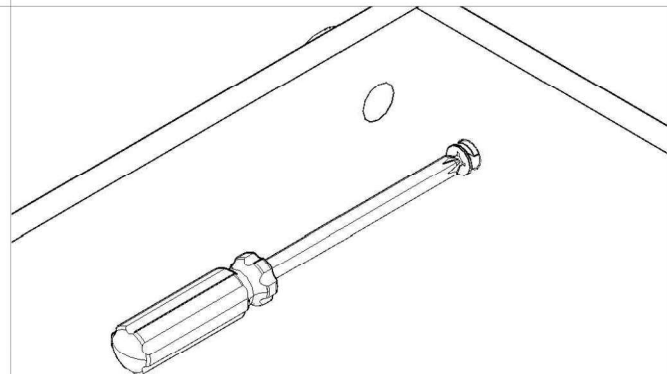
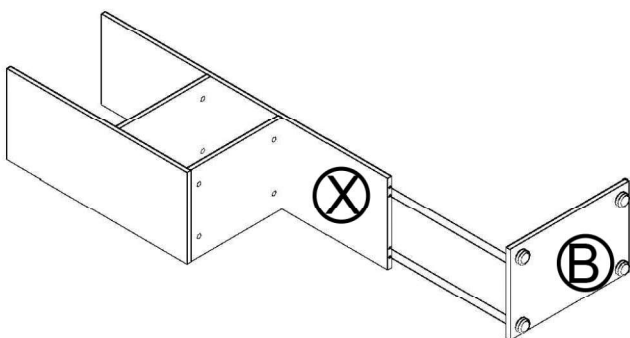
# 12



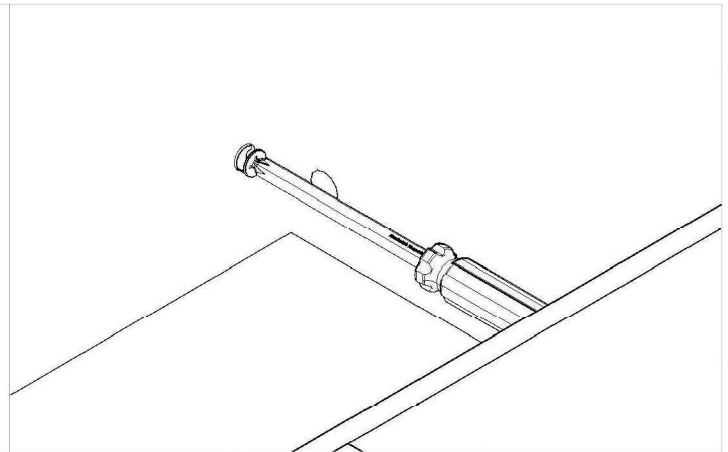
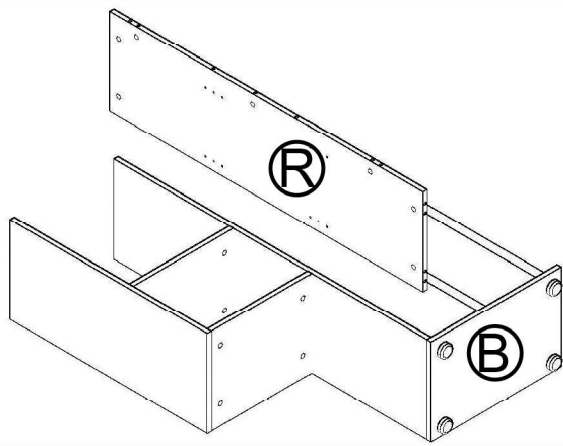
# 13



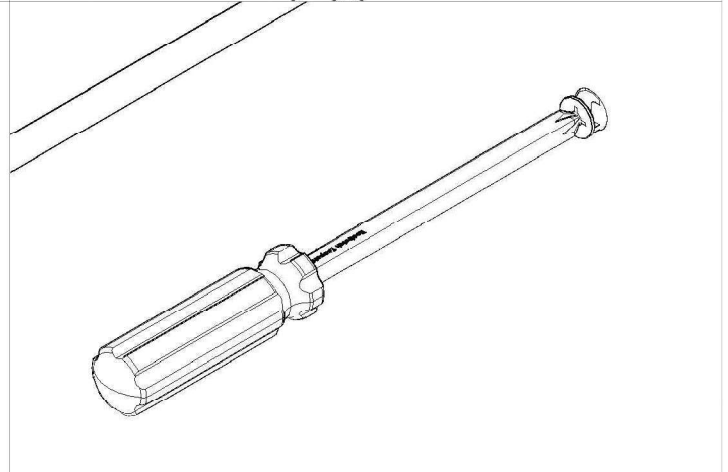
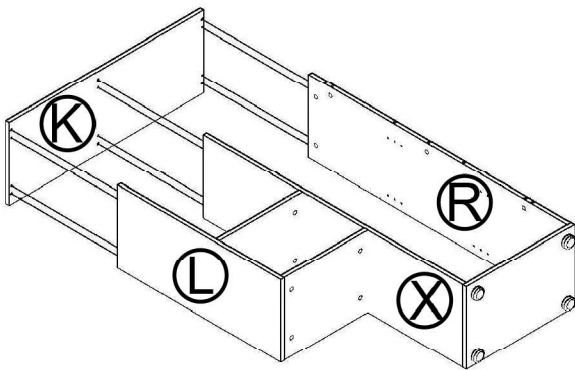
# 14



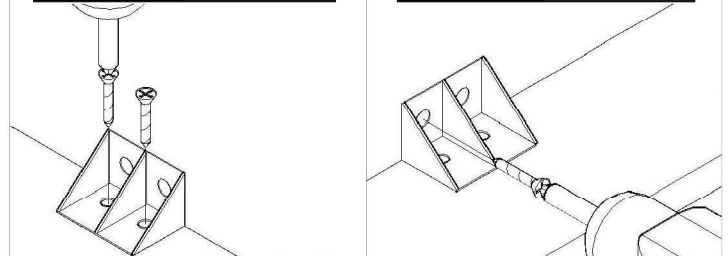
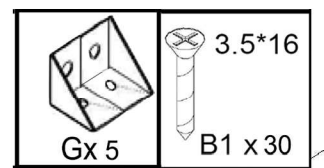
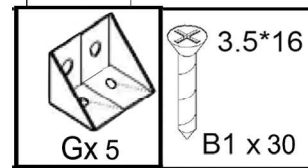
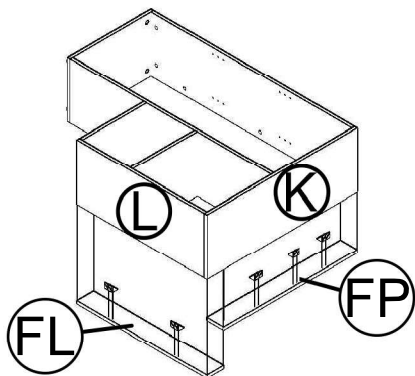
# 15



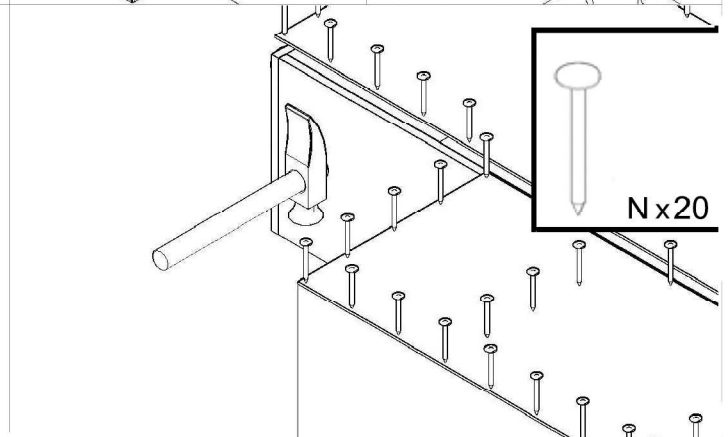
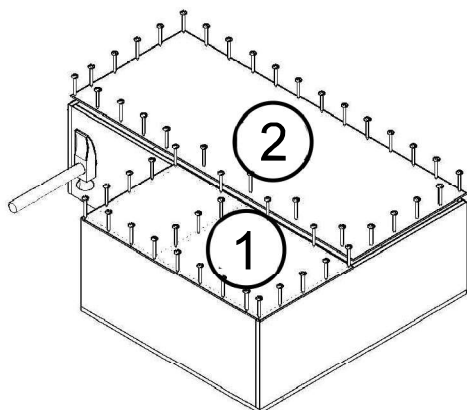
# 16



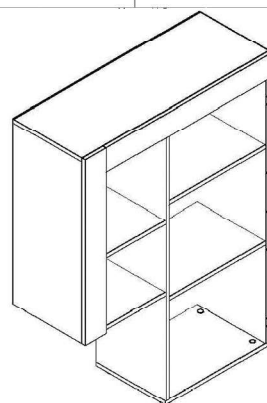
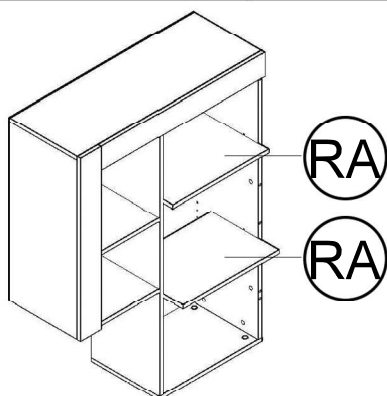
# 17



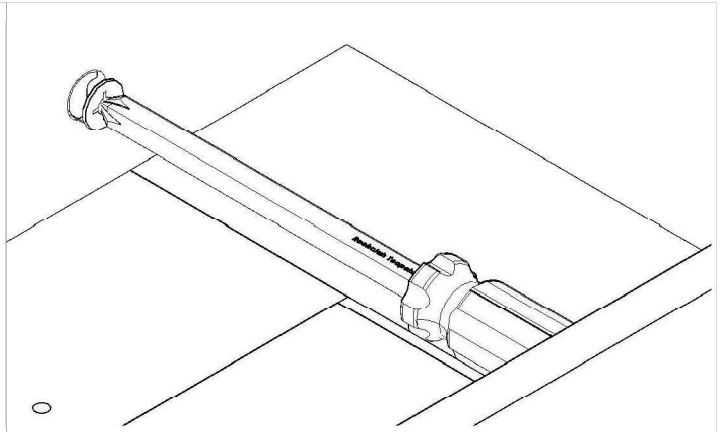
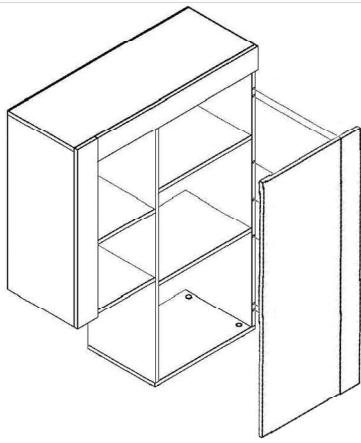
# 18



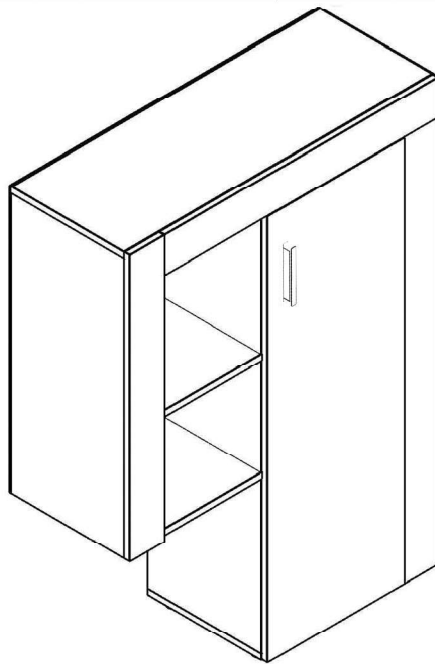
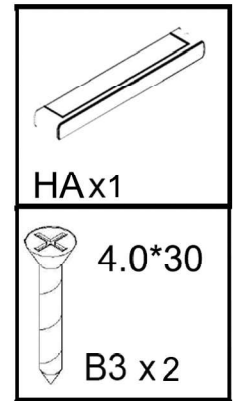
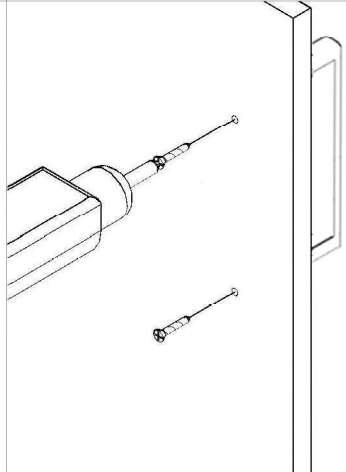
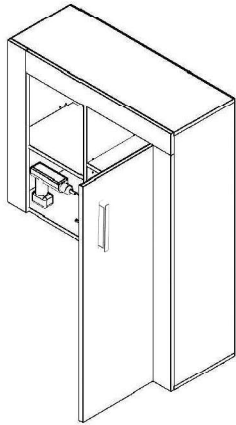
# 19



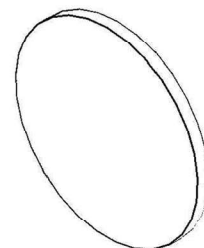
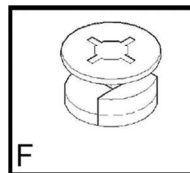
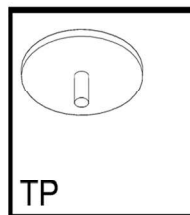
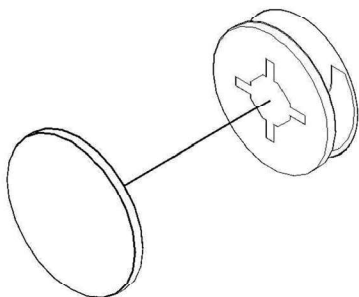
20



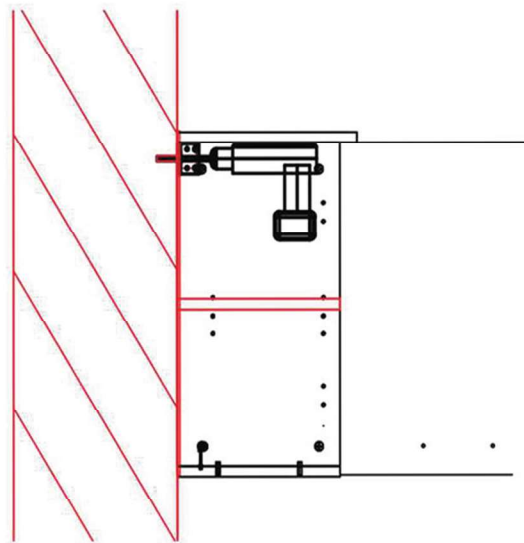
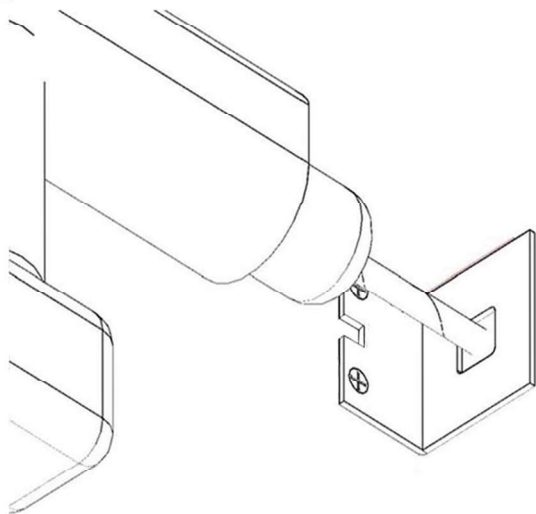
21



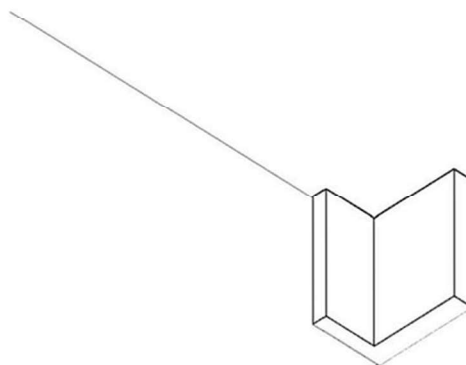
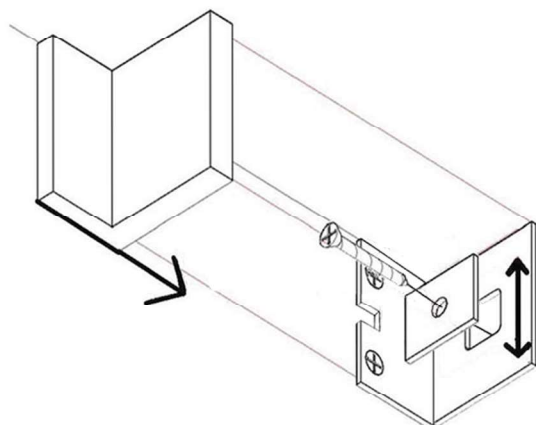
PLASTIC COVER CAPS FOR SCREWS



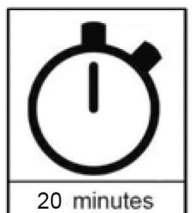
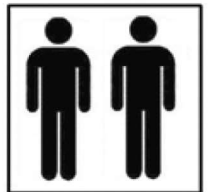
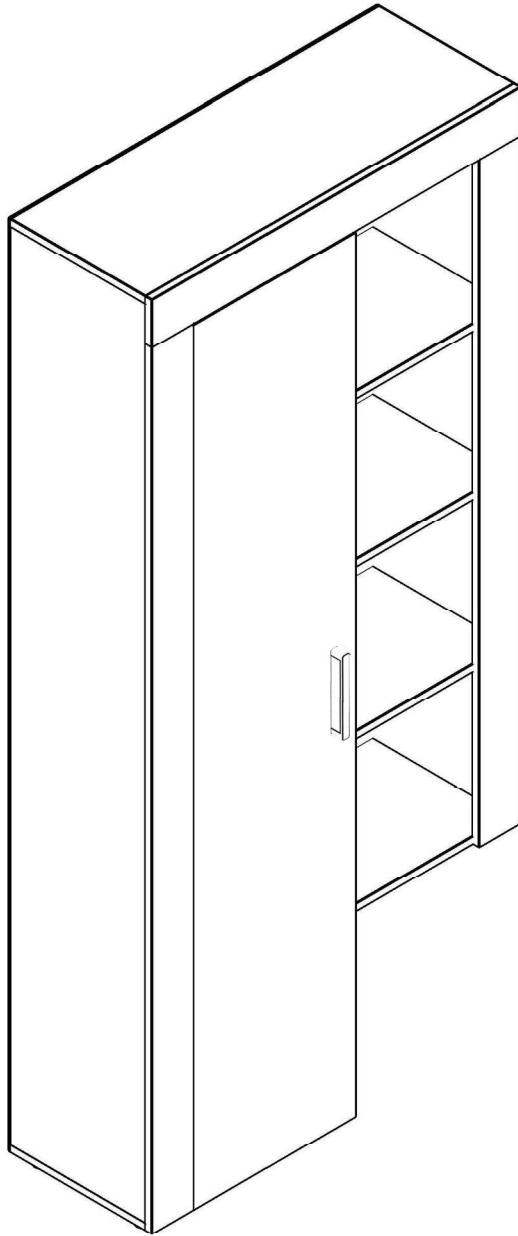
**A**



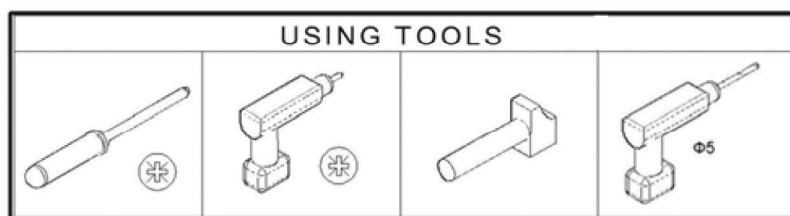
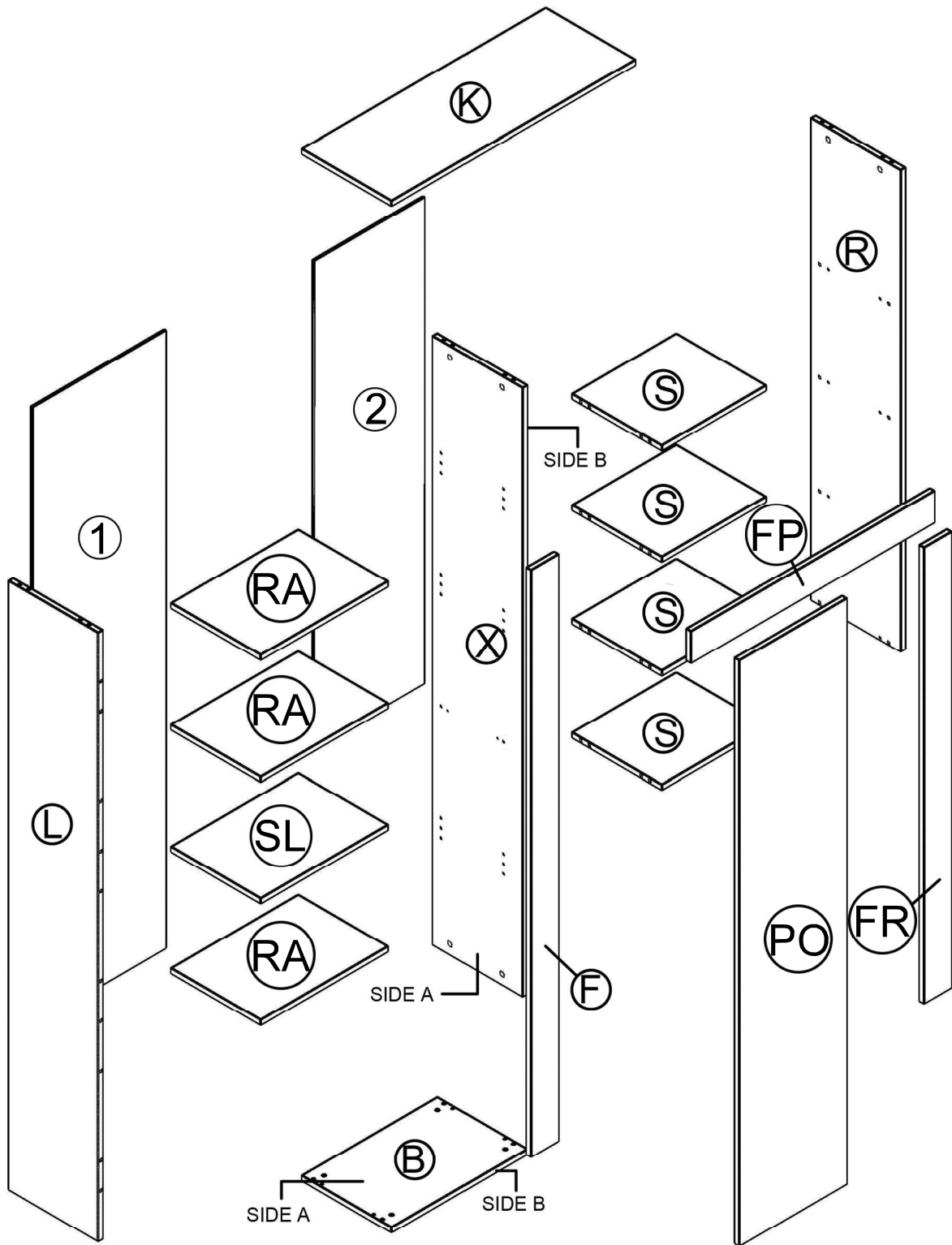
**B**



# GRK 43 C



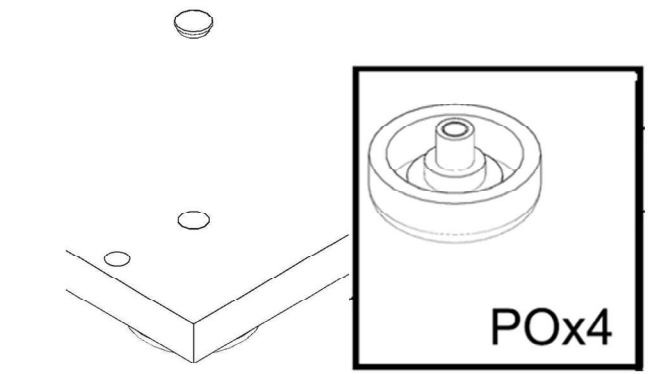
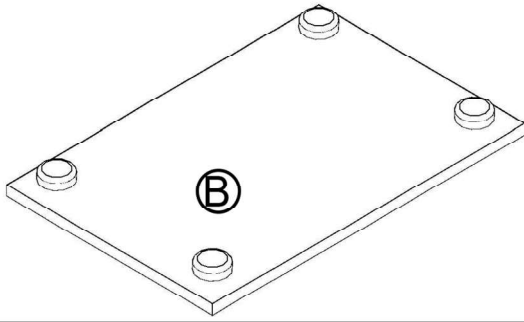




P x38	K x40	F x38	TP x38	N x20	HA x1
PO x4	T x12	MC x3	Gx 7	B1 x42	B3 x2
					GK x1

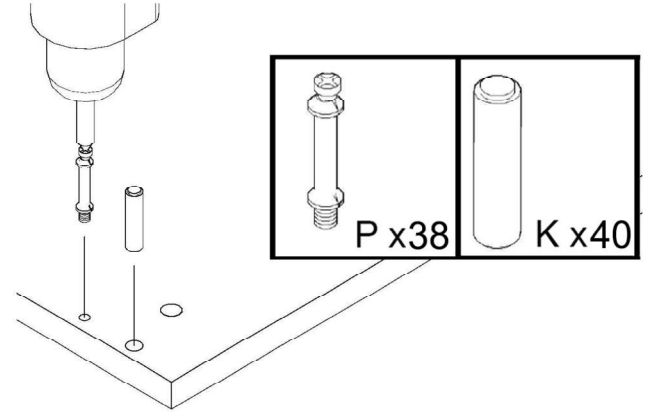
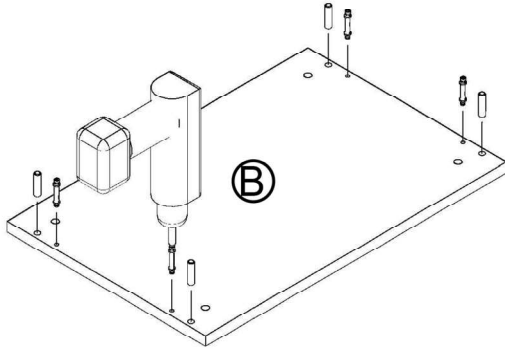
1

SIDE B

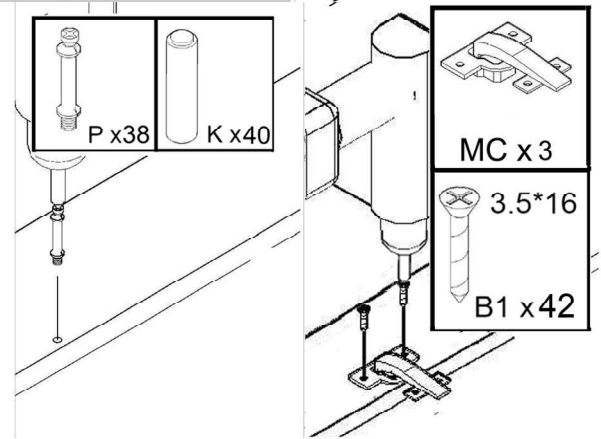
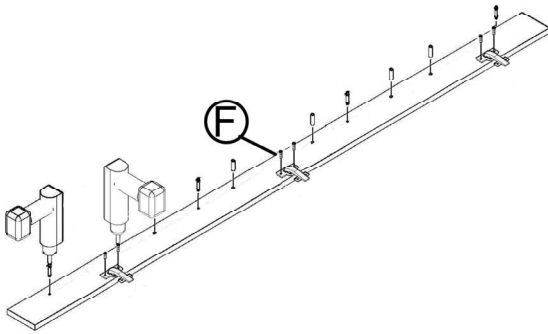


2

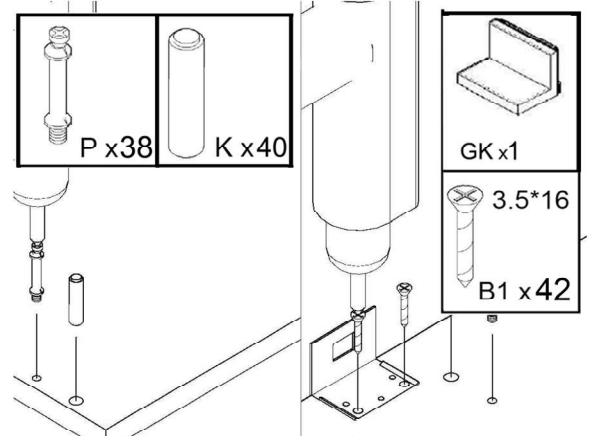
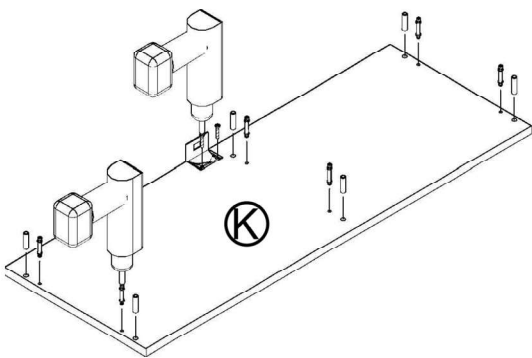
SIDE A



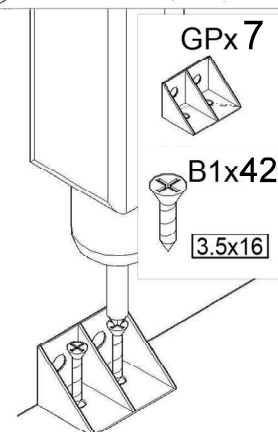
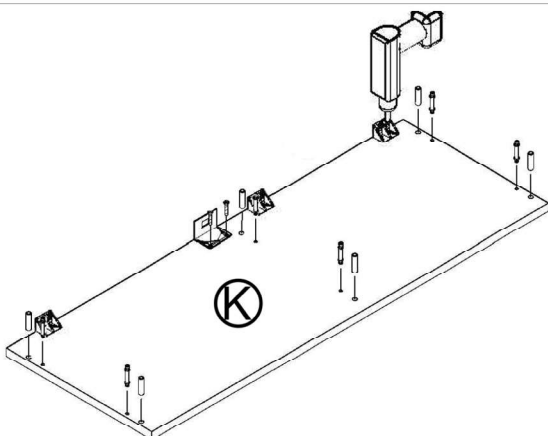
3



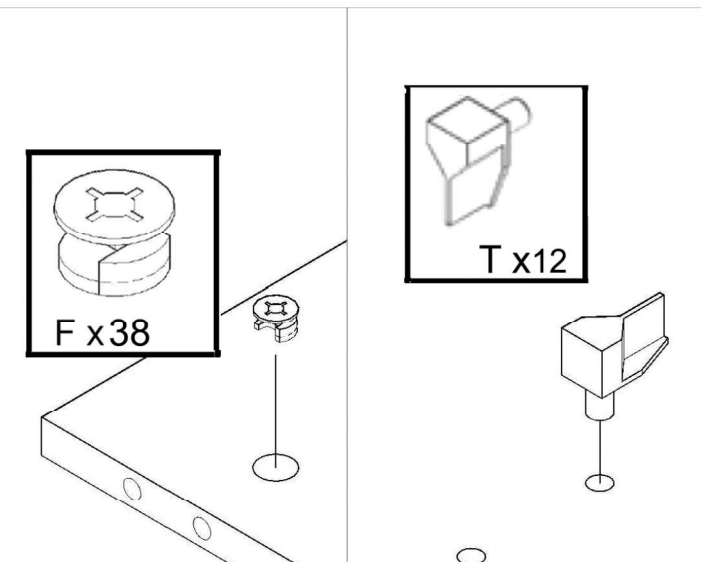
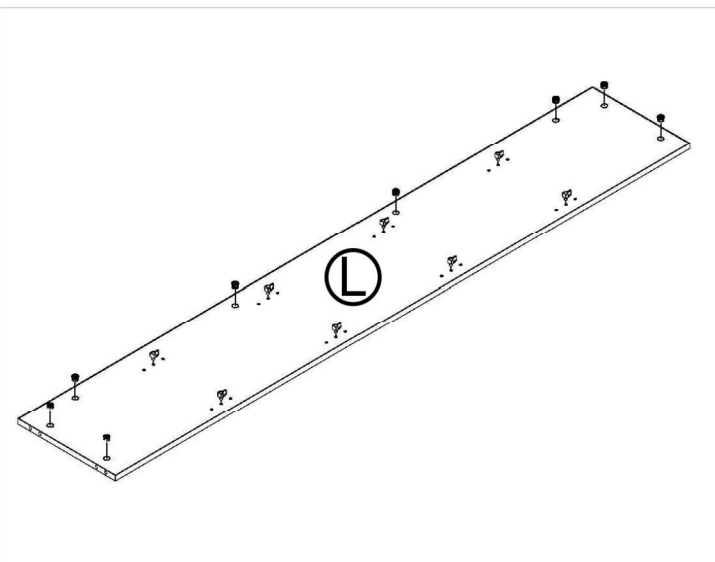
4



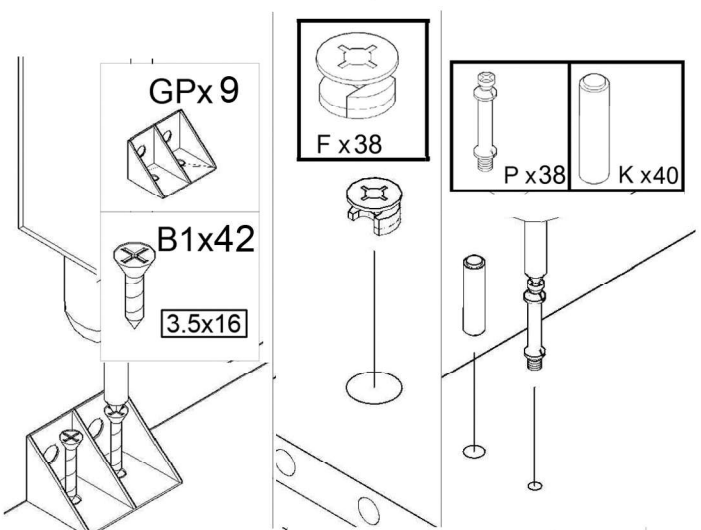
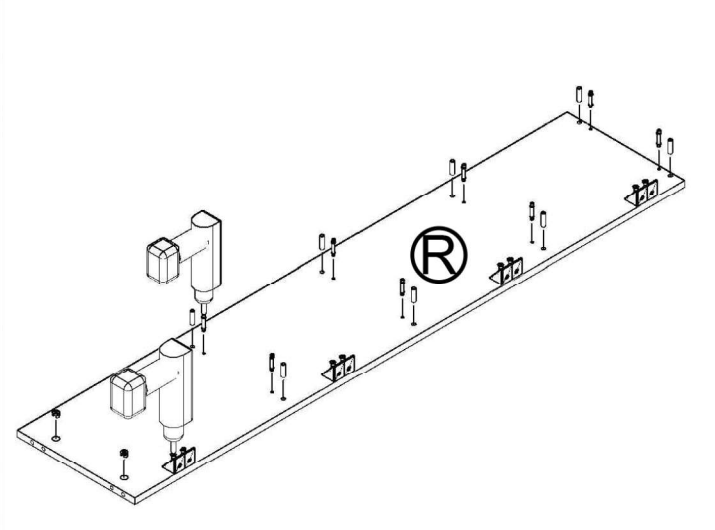
5



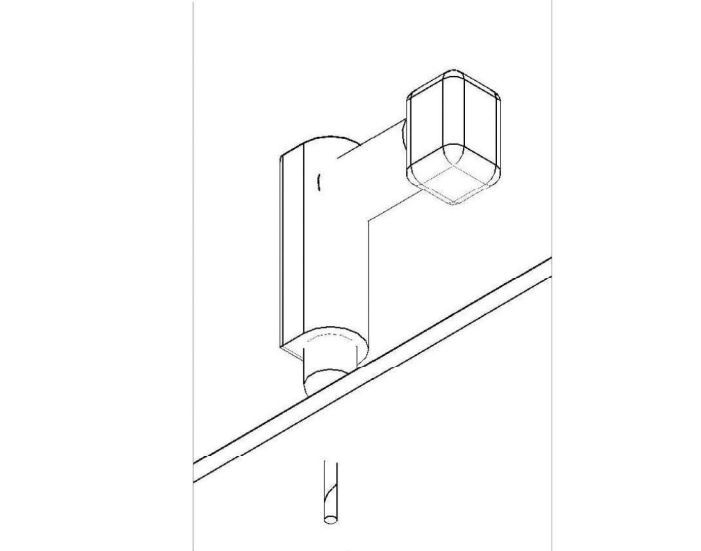
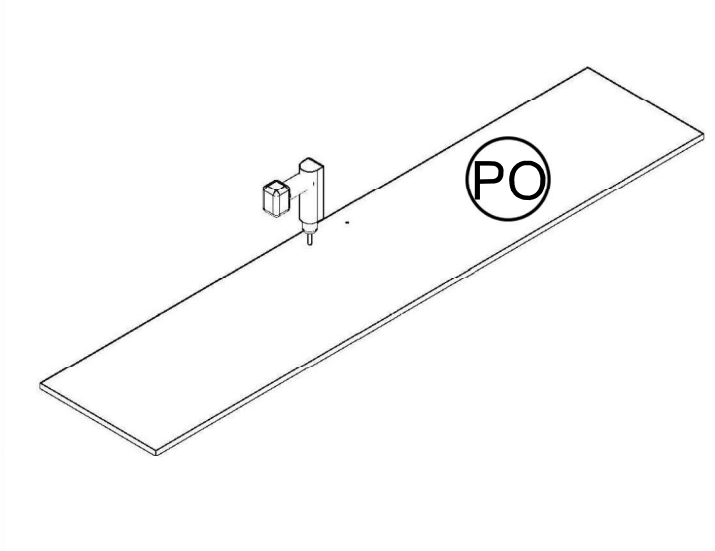
6



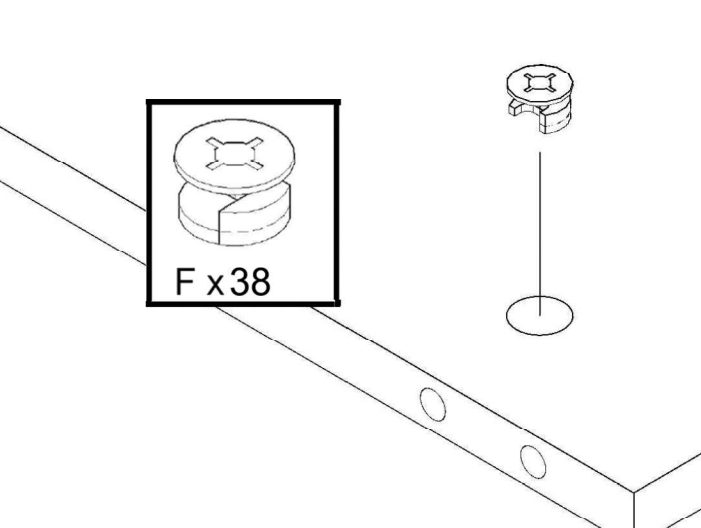
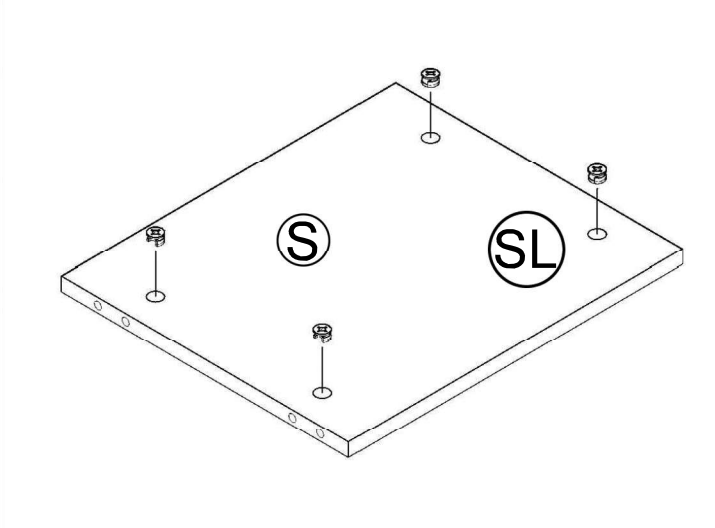
7



8

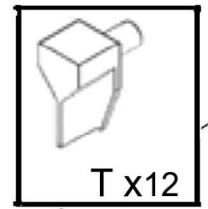
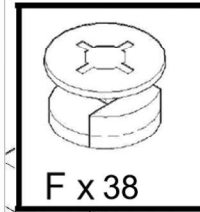
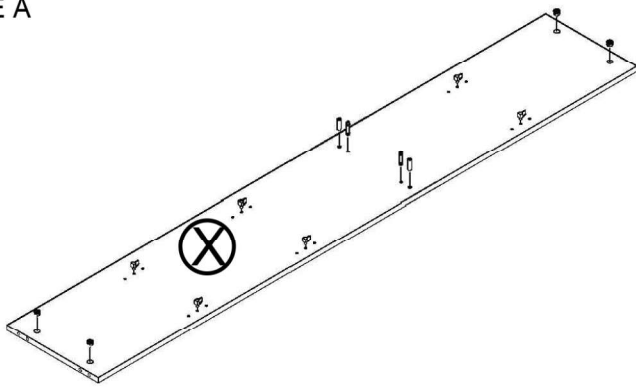


9



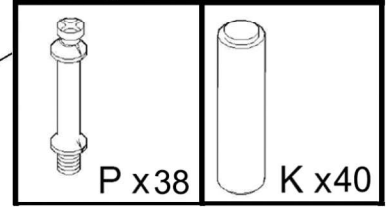
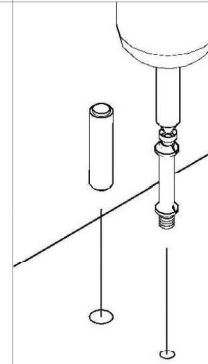
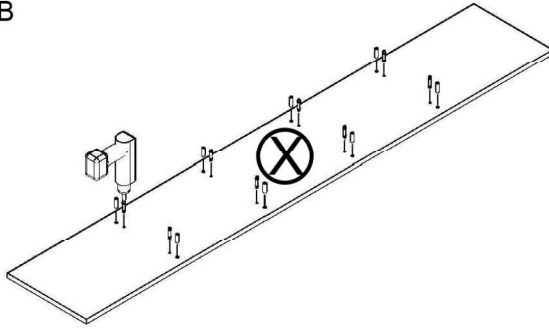
# 10

SIDE A

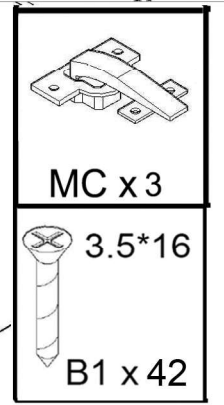
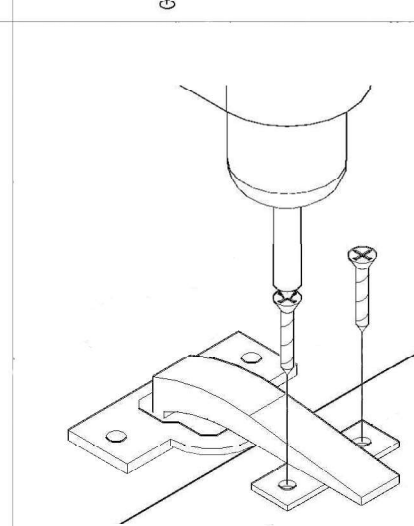
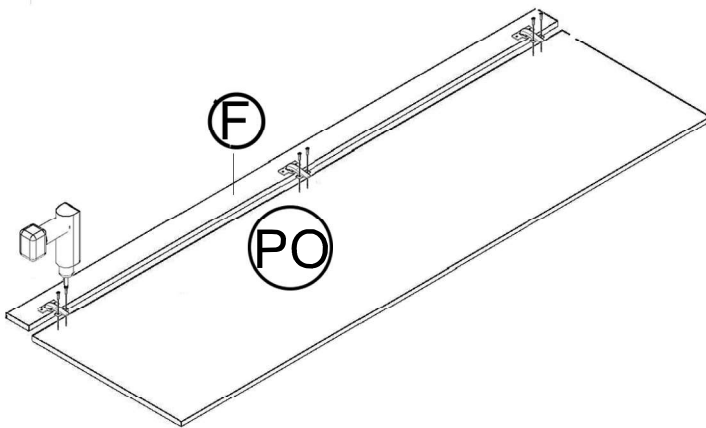


# 11

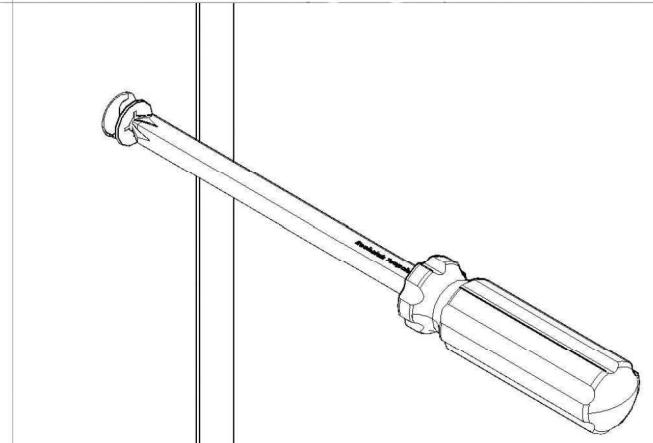
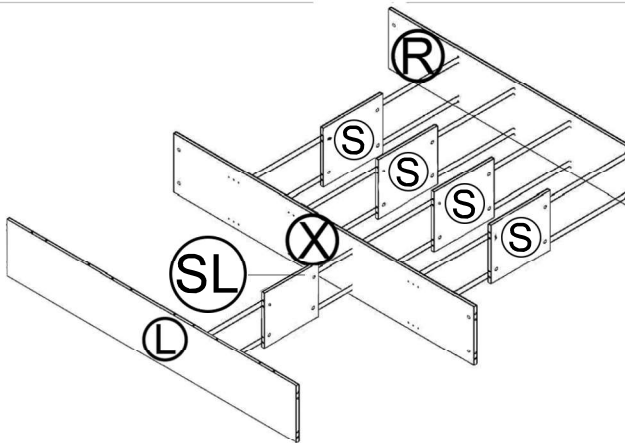
SIDE B



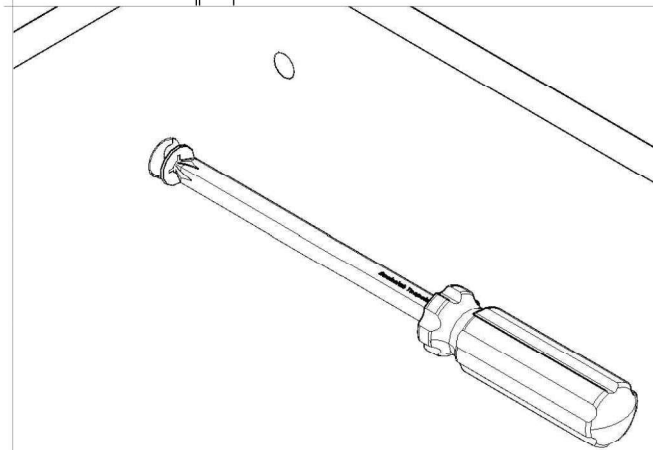
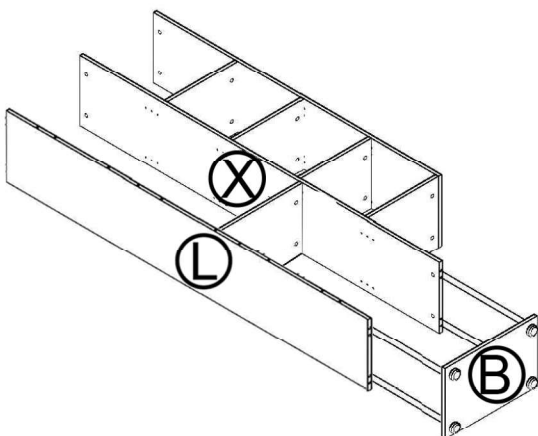
# 12



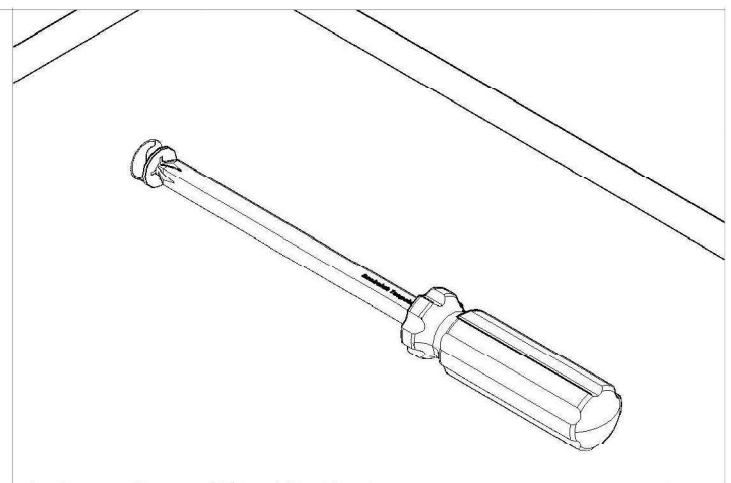
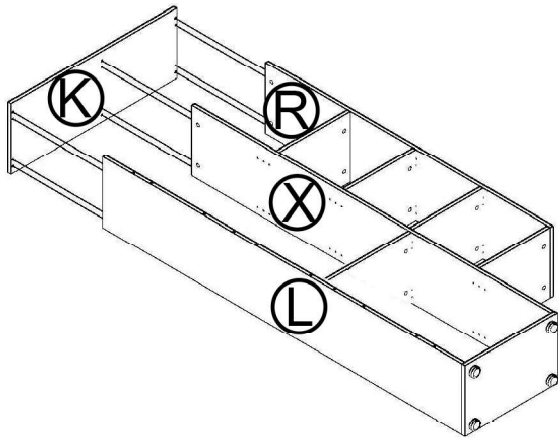
# 13



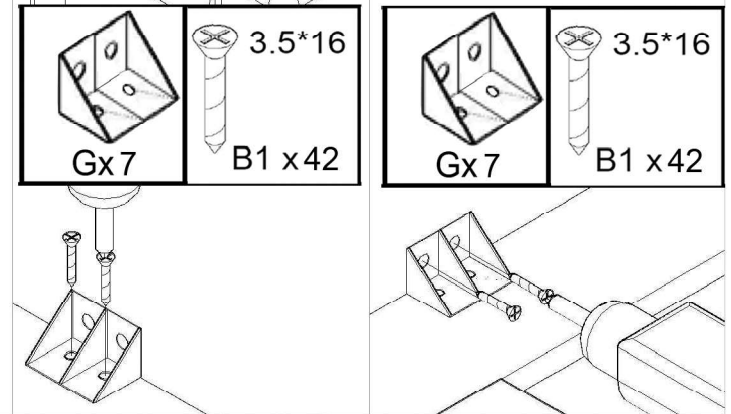
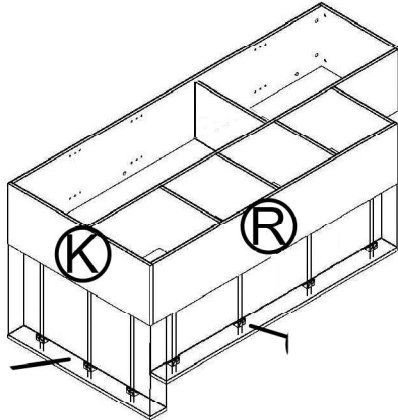
# 14



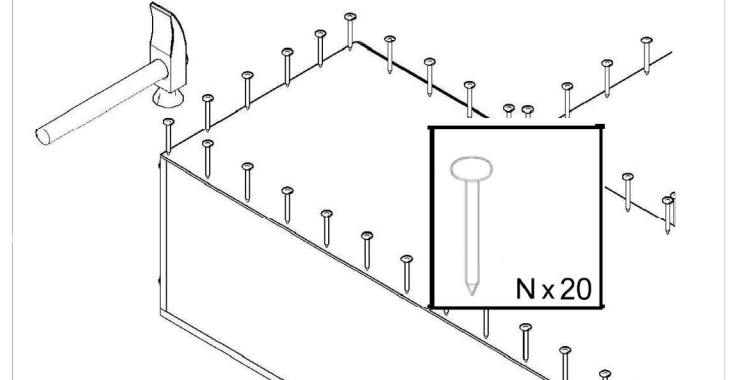
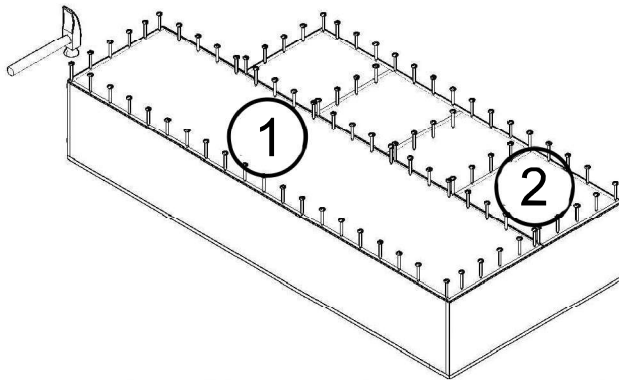
# 15



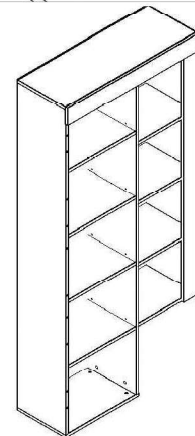
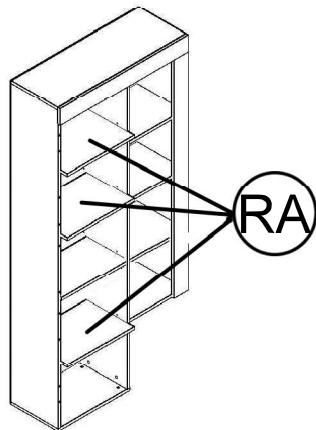
# 16



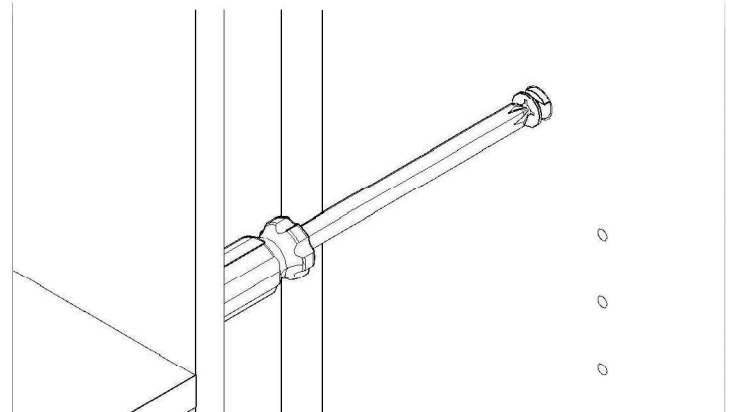
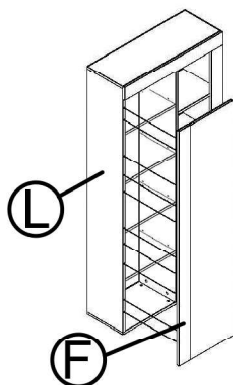
# 17



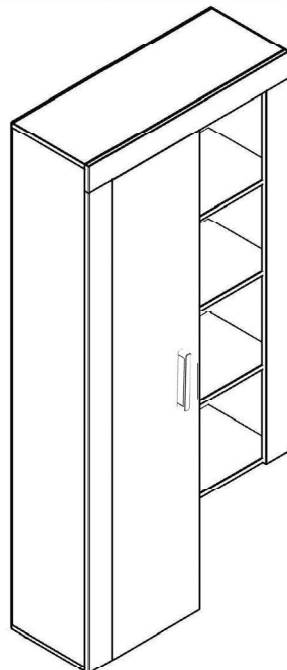
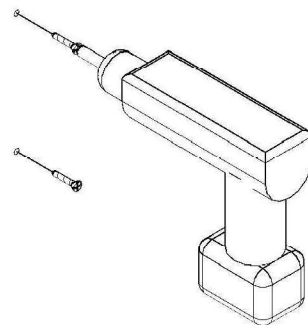
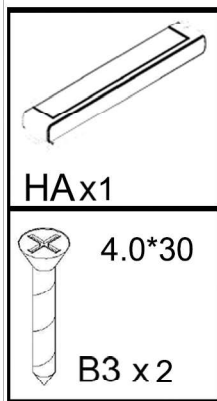
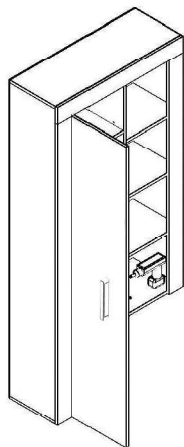
# 18



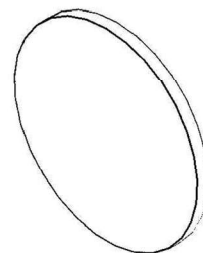
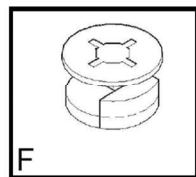
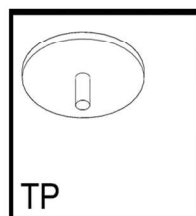
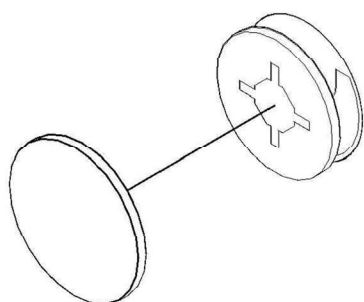
# 19



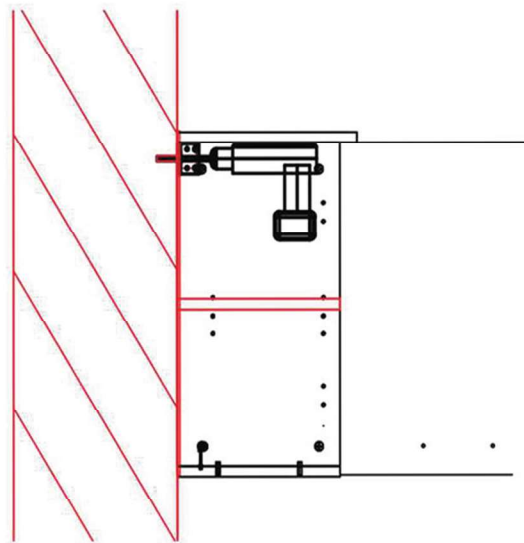
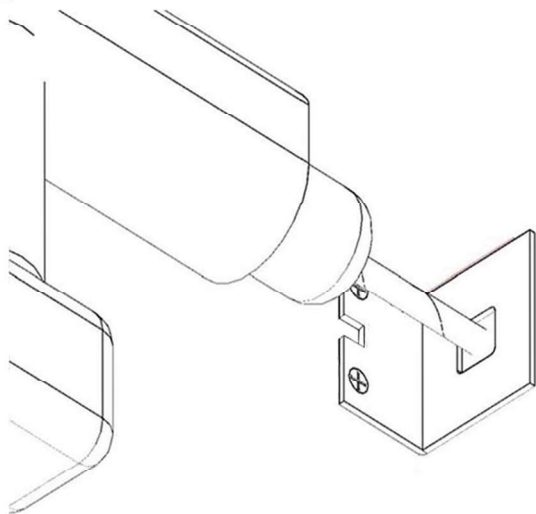
# 20



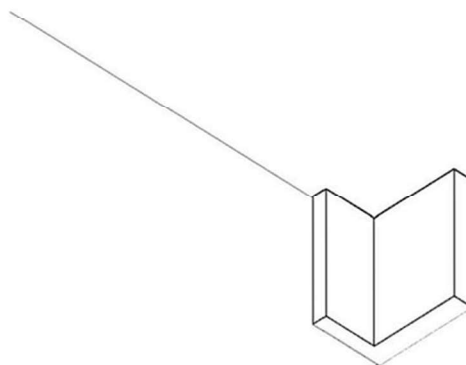
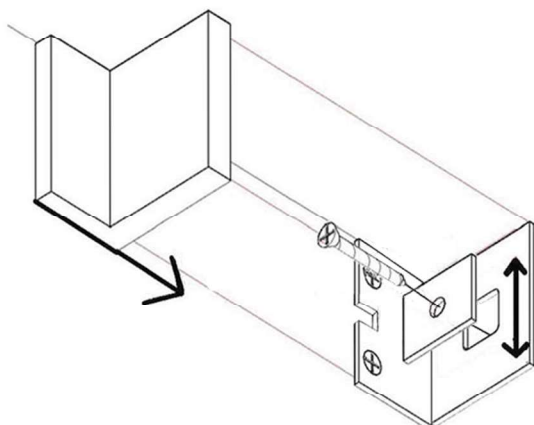
**PLASTIC COVER CAPS FOR SCREWS**



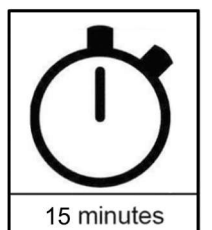
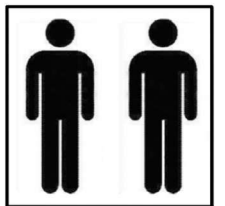
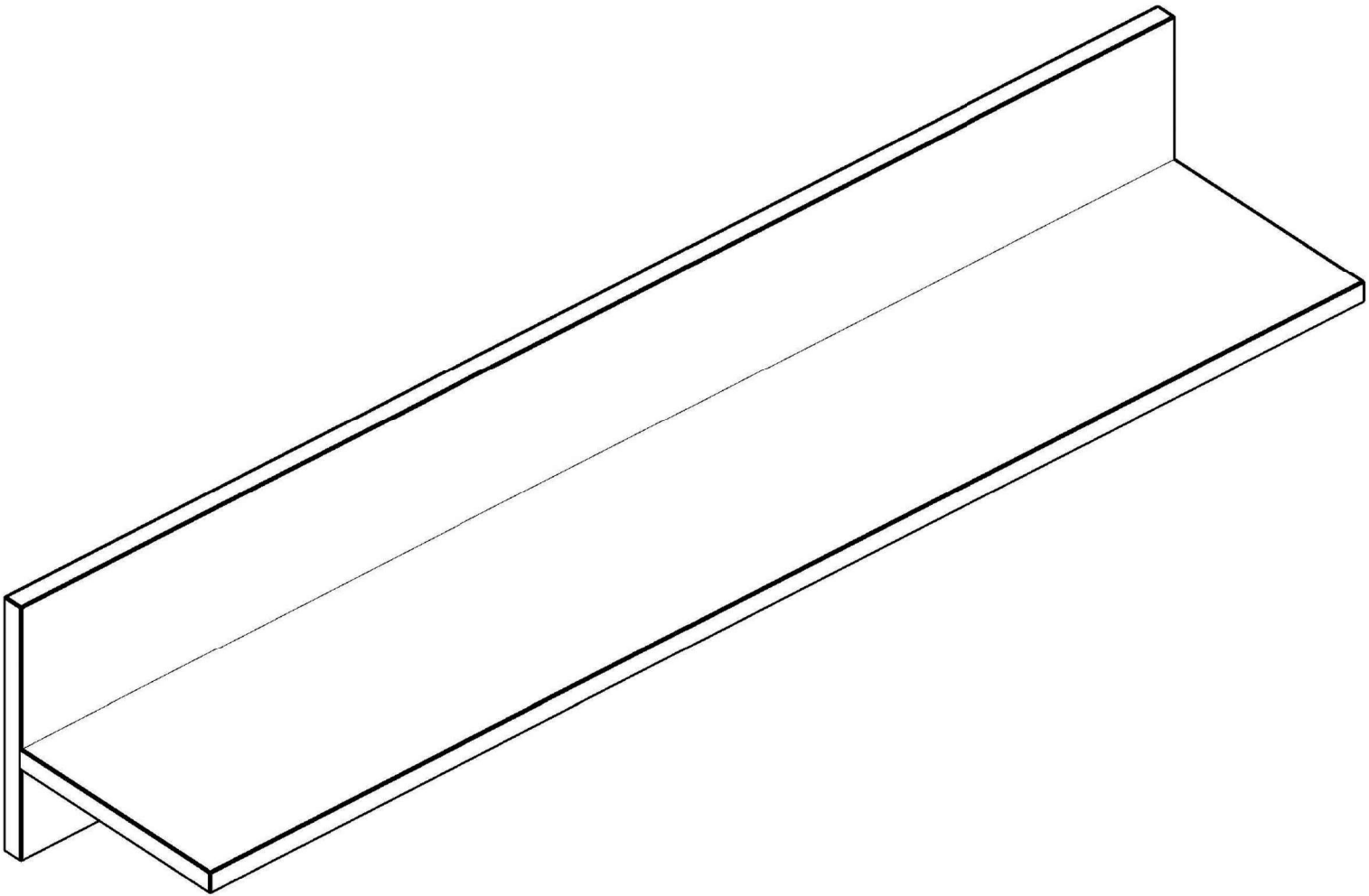
**A**



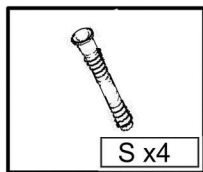
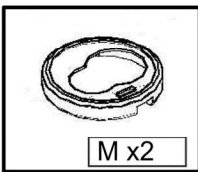
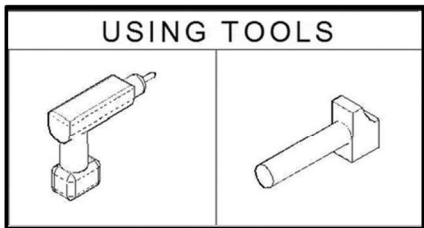
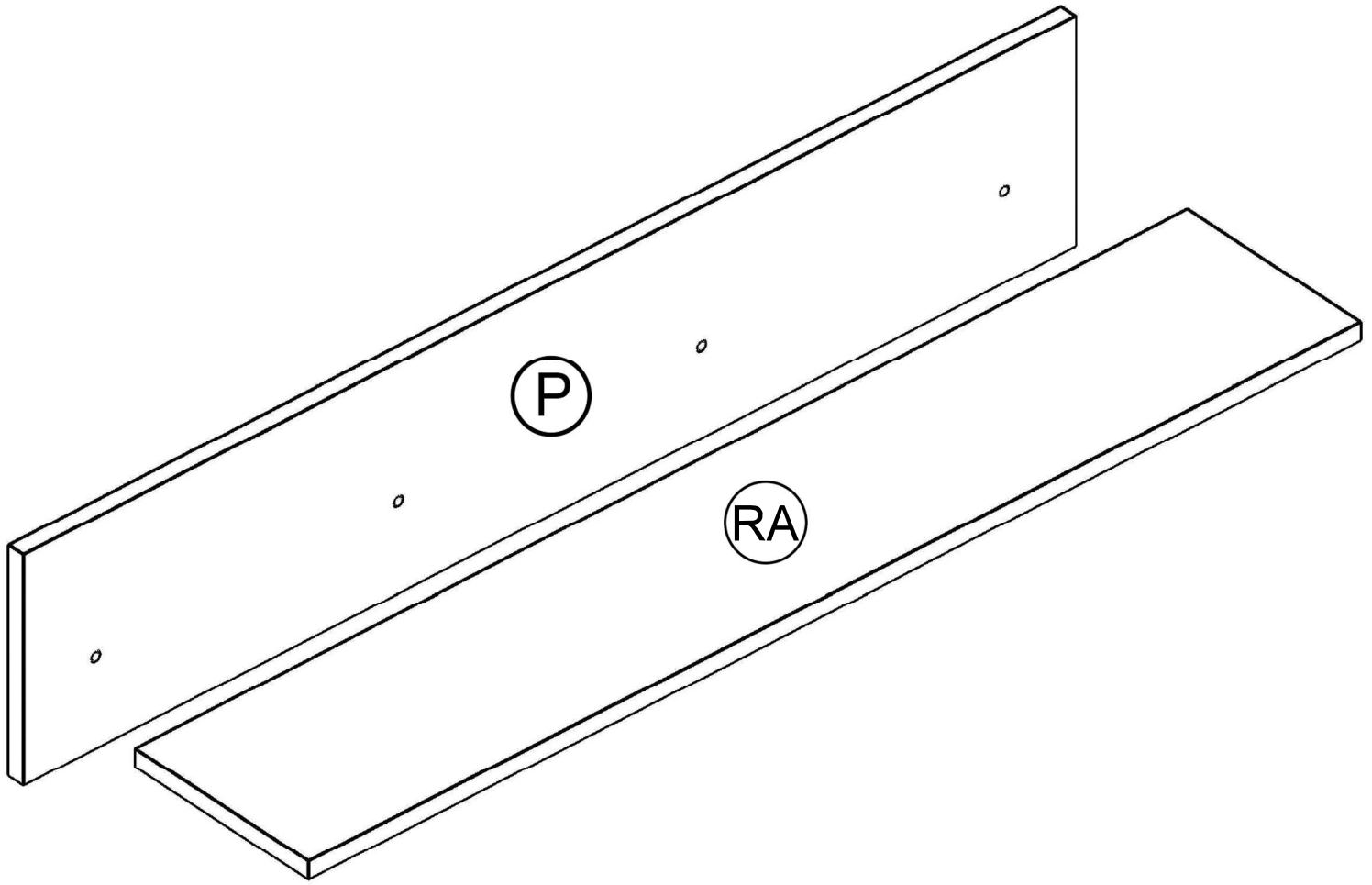
**B**



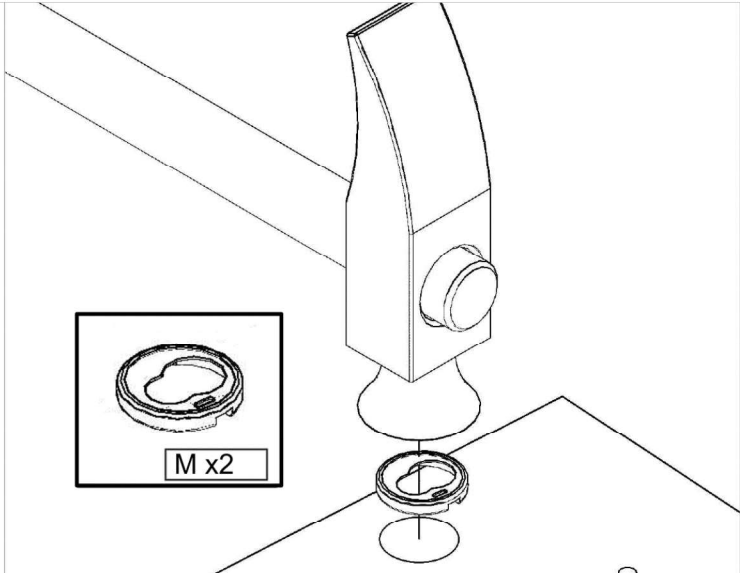
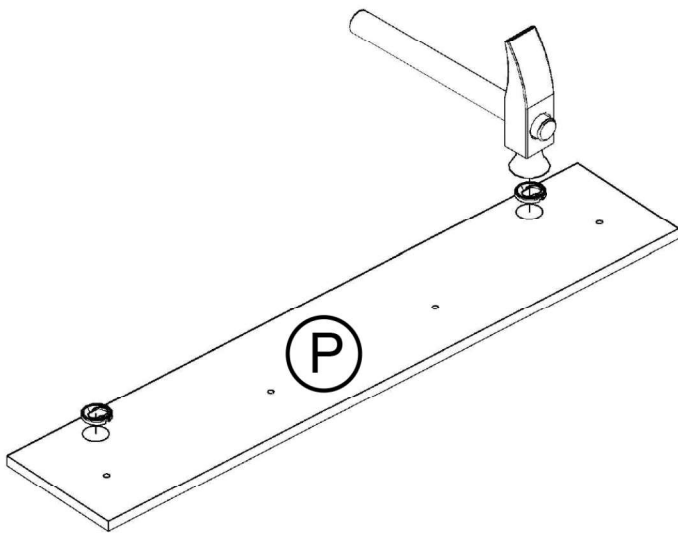
# GRK 43 D







1



2

