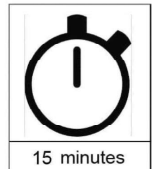
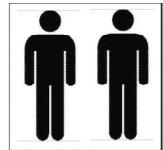
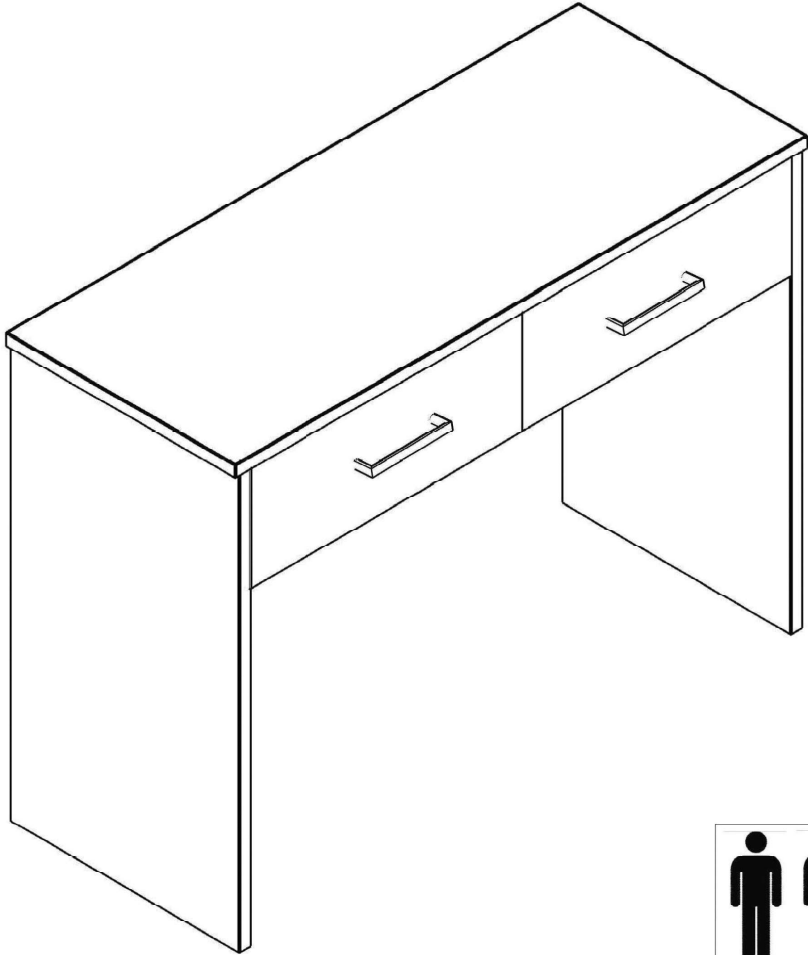
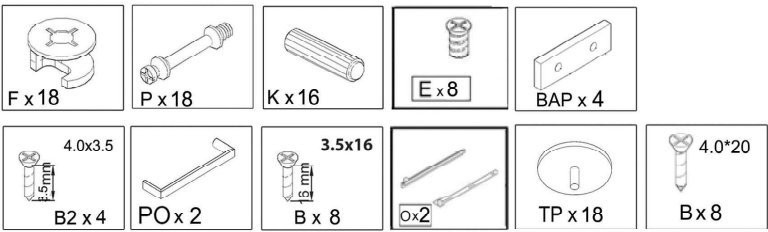
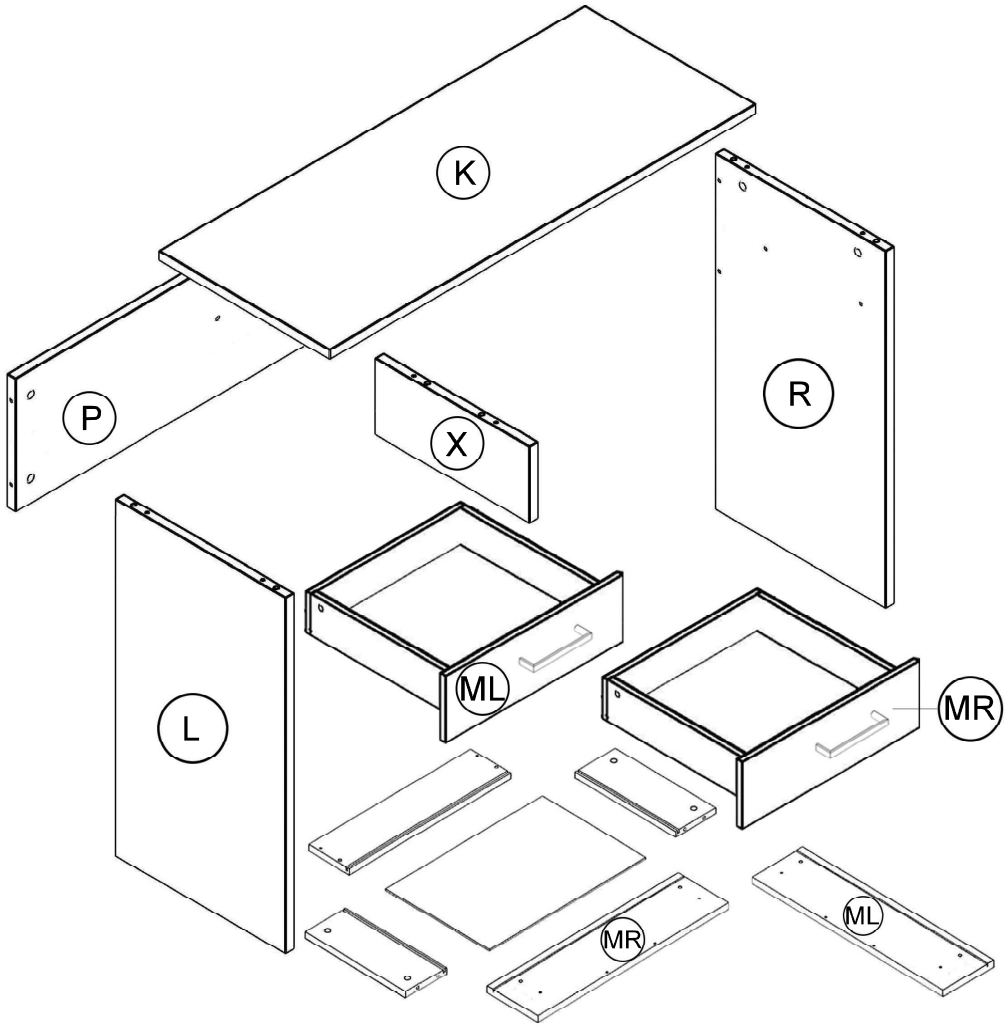
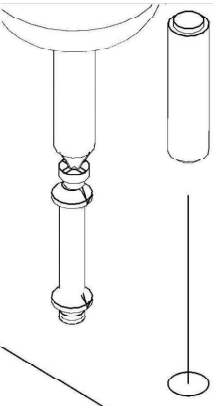
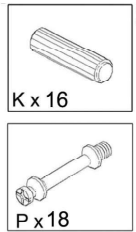
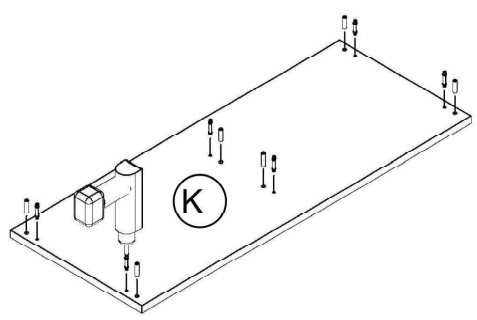


GRK 511

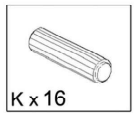
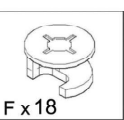
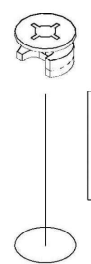
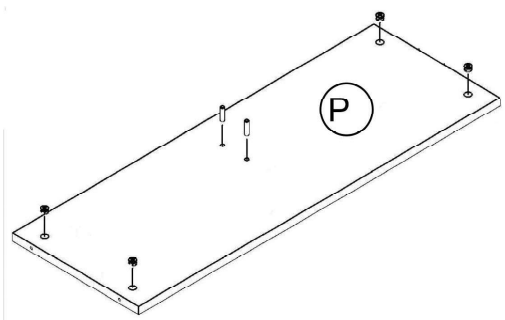




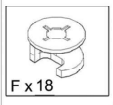
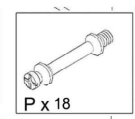
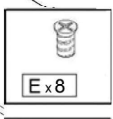
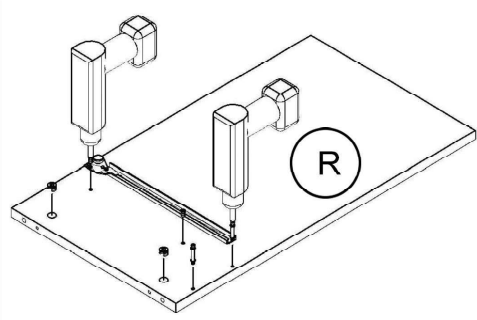
1



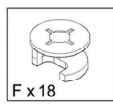
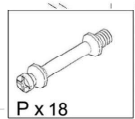
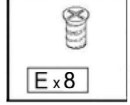
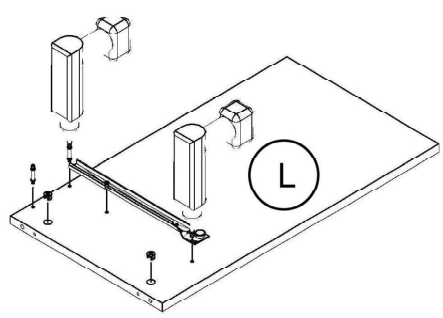
2



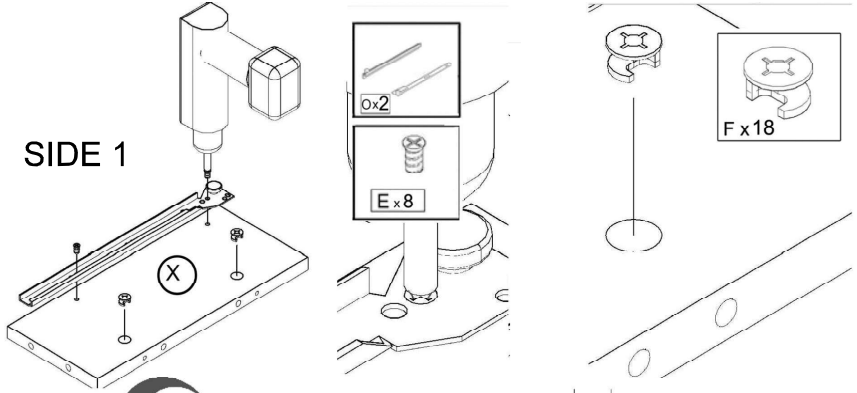
3



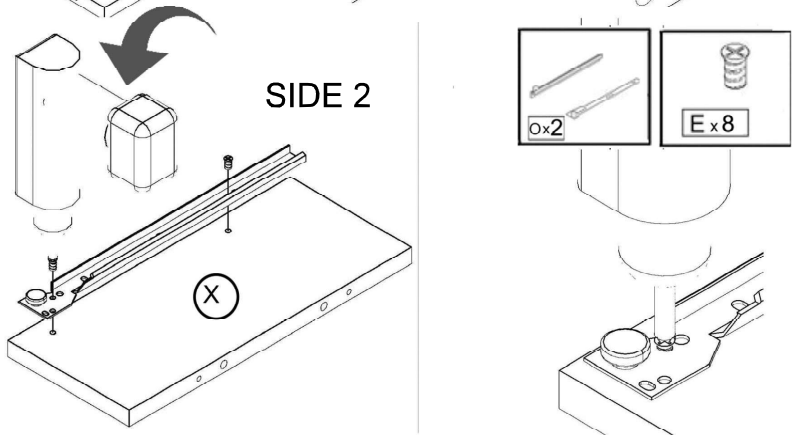
4



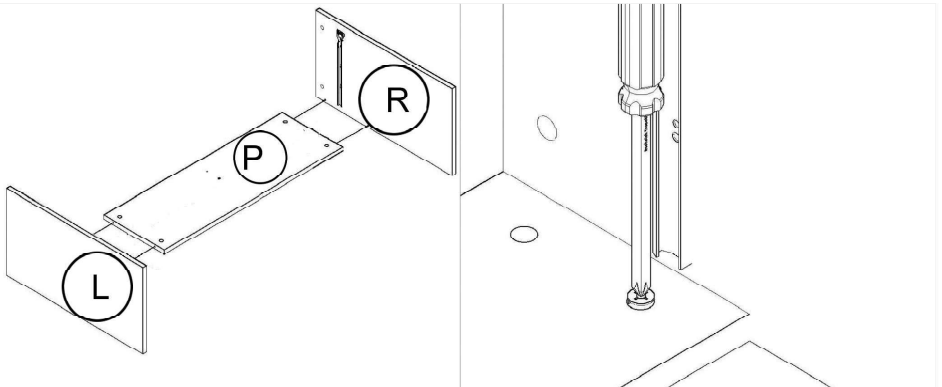
5



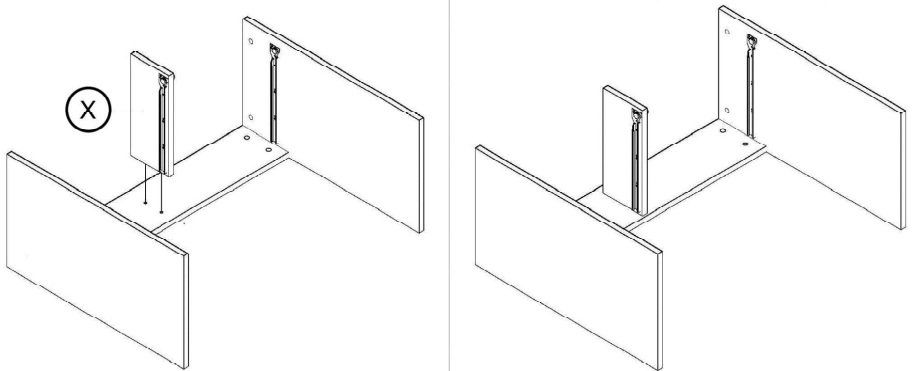
6



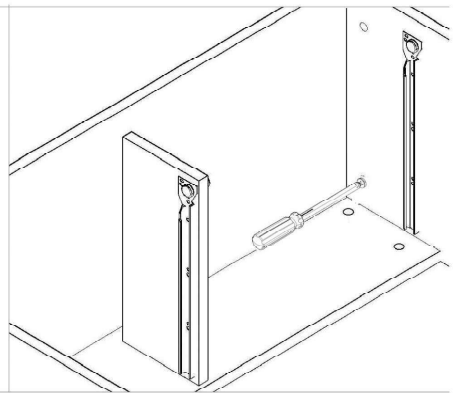
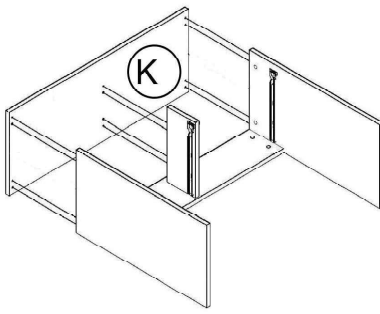
7



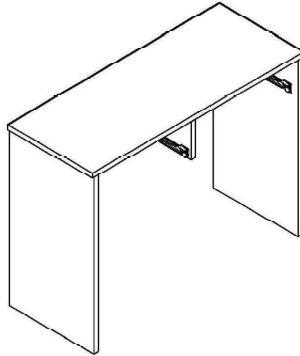
8



9

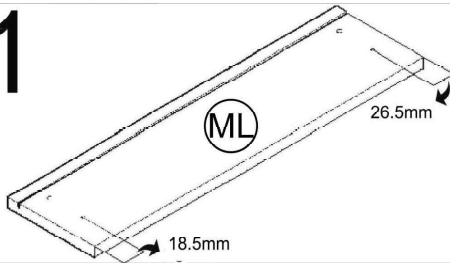


10

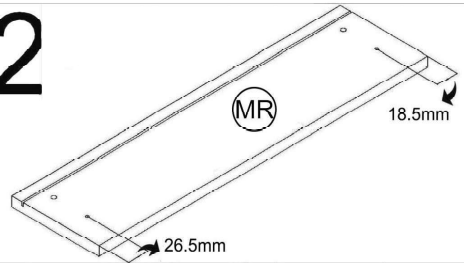


DRAWERS

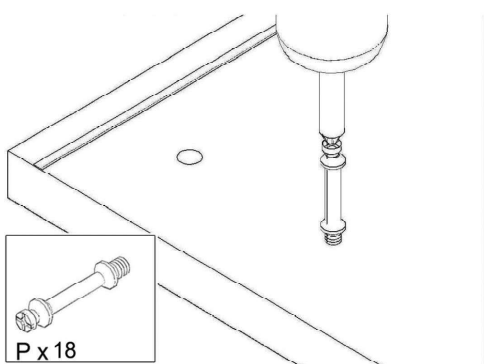
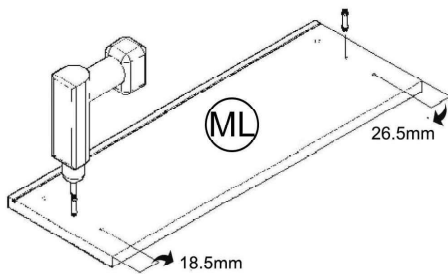
1



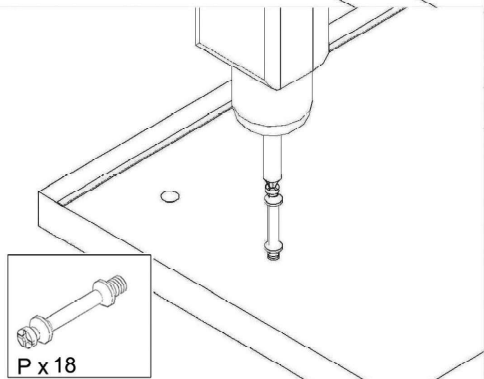
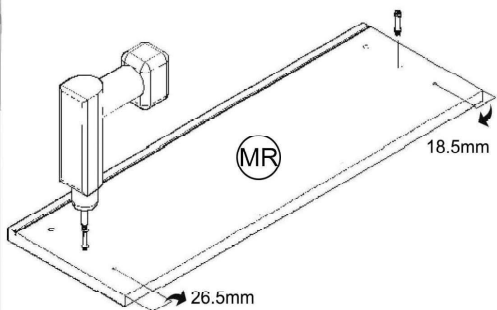
2



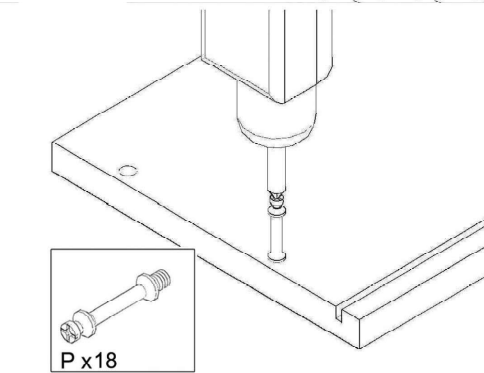
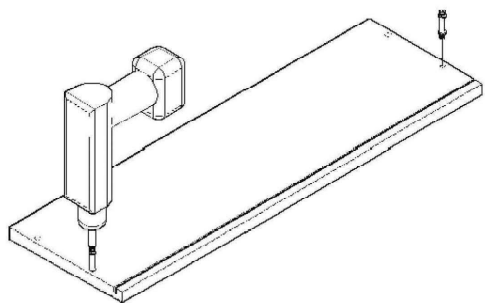
3



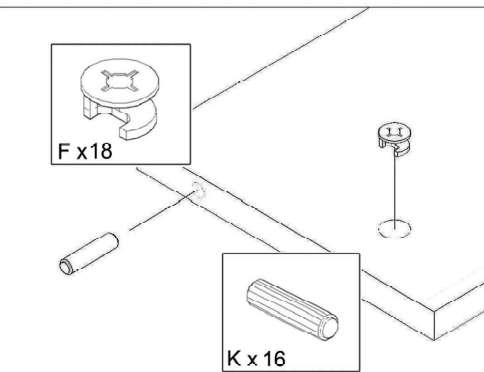
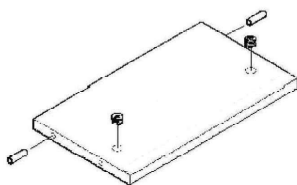
4



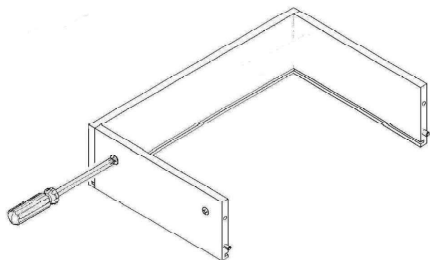
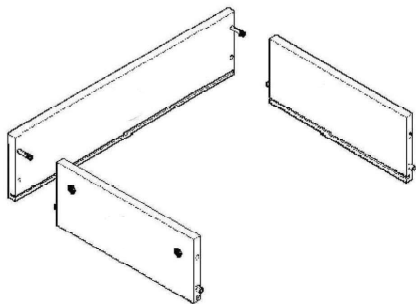
5



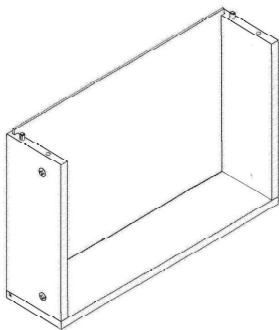
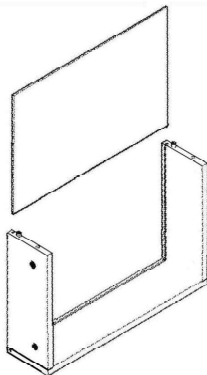
6



7

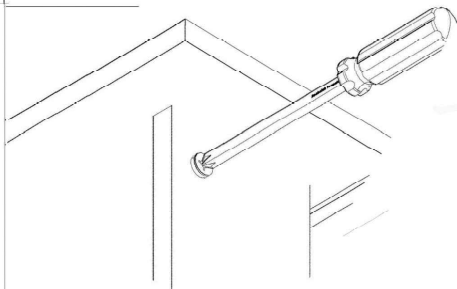
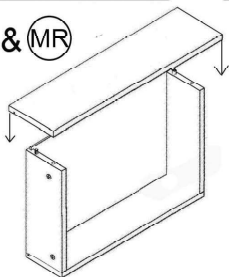


8

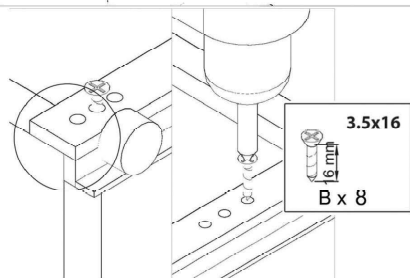
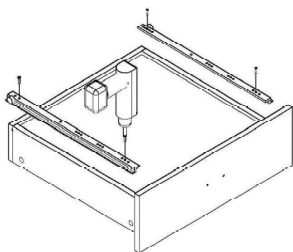


9

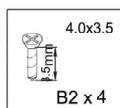
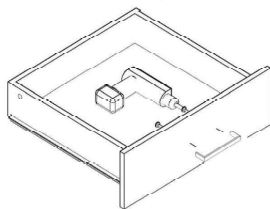
ⓂⓁ & ⓂⓇ



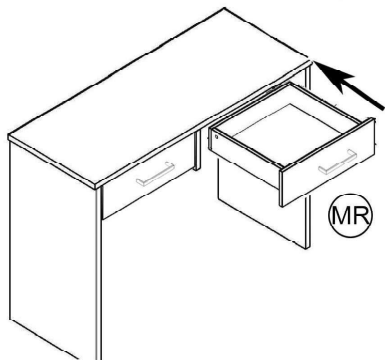
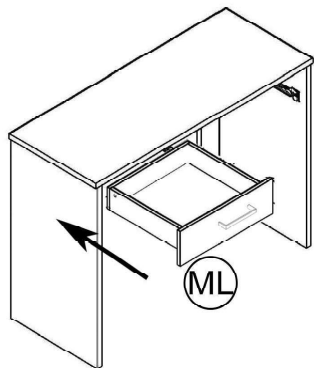
10



11



12



PLASTIC COVER CAPS FOR SCREWS

