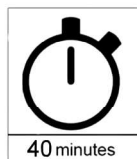
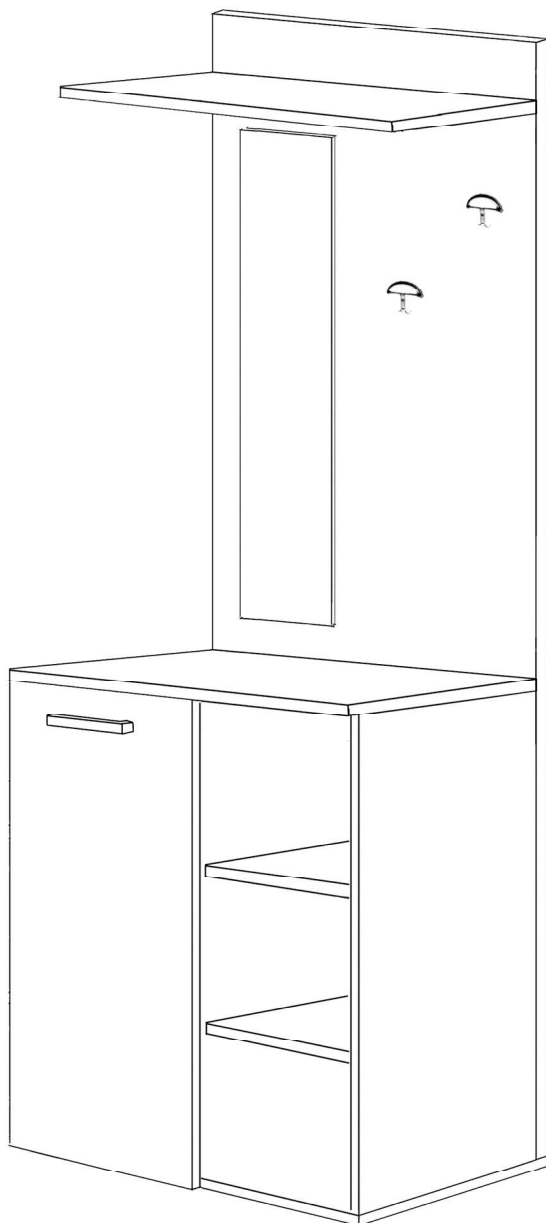
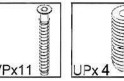
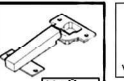
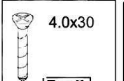
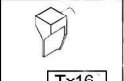
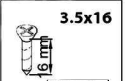
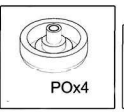
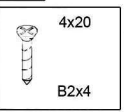
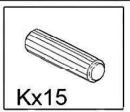
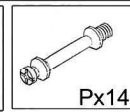
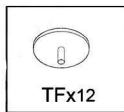
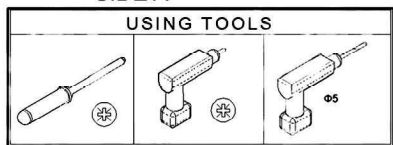
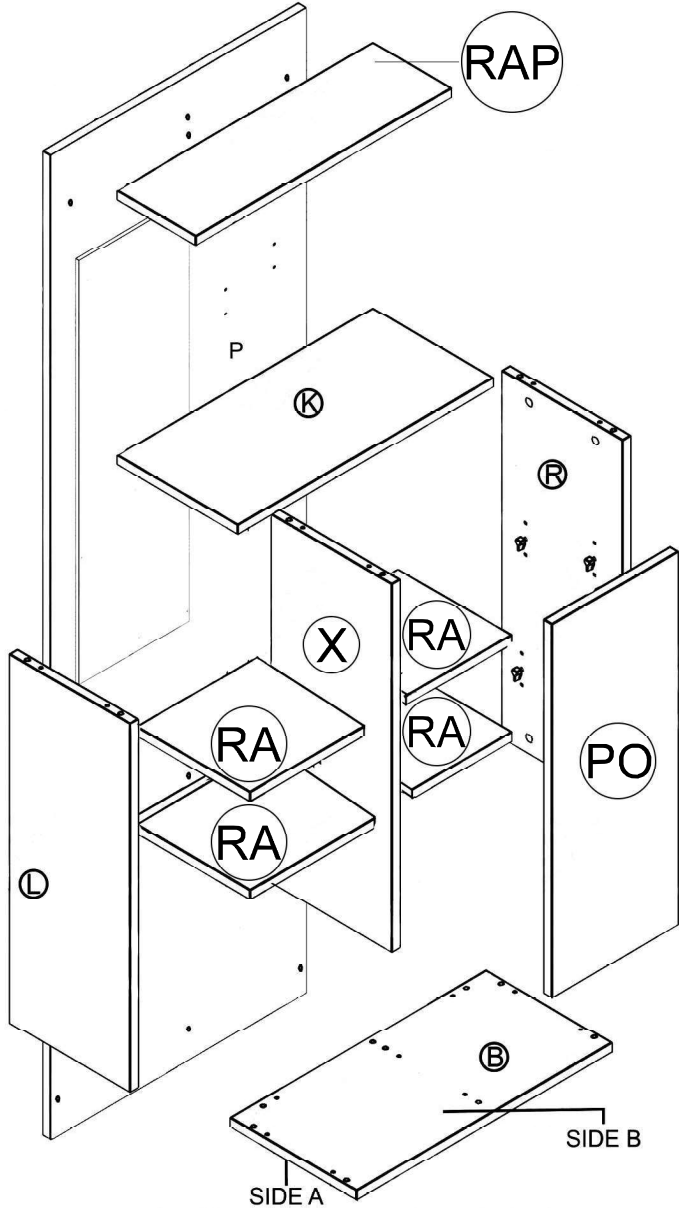


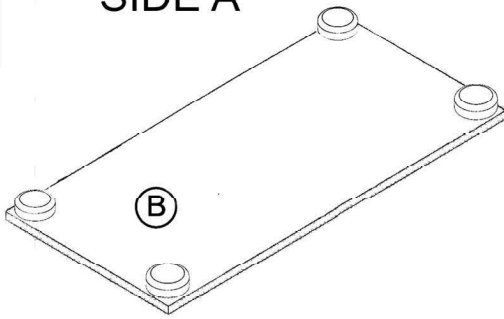
GRK 55





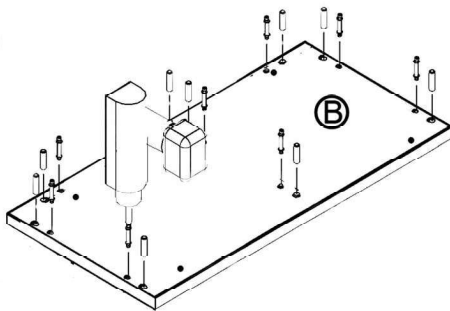
1

SIDE A

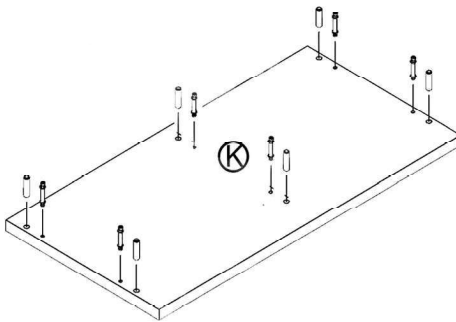


2

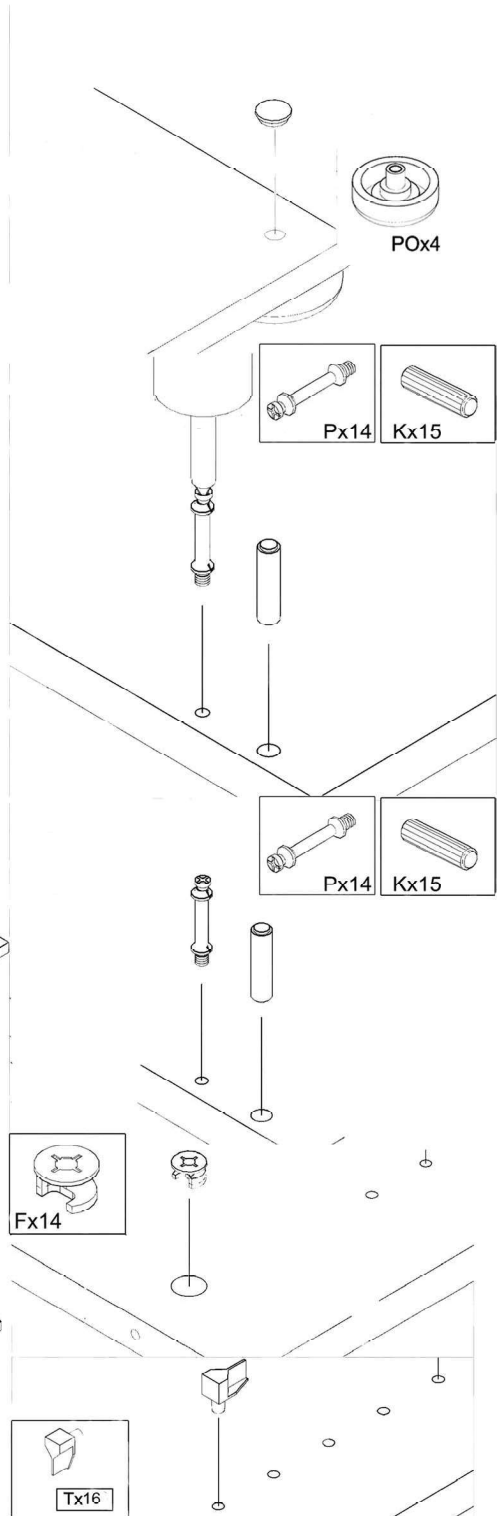
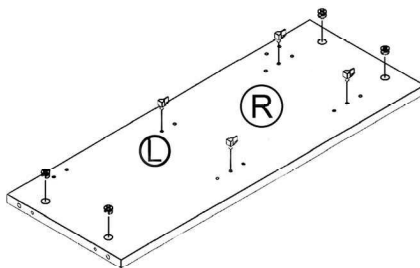
SIDE B



3

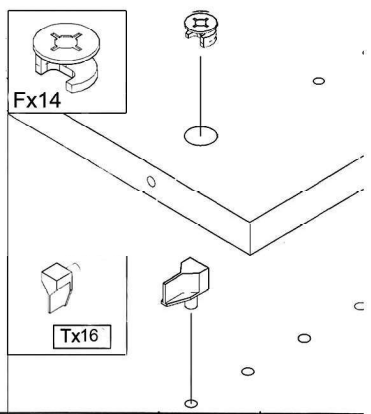
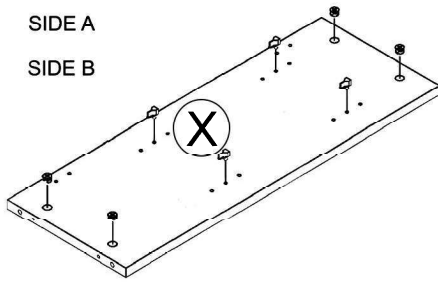


4



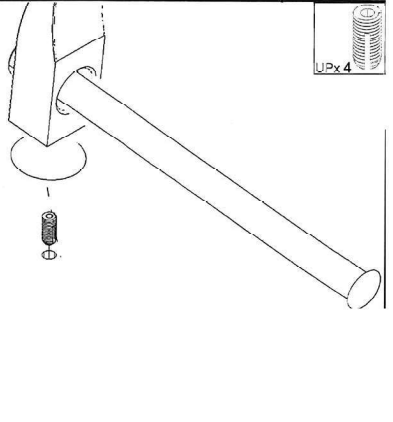
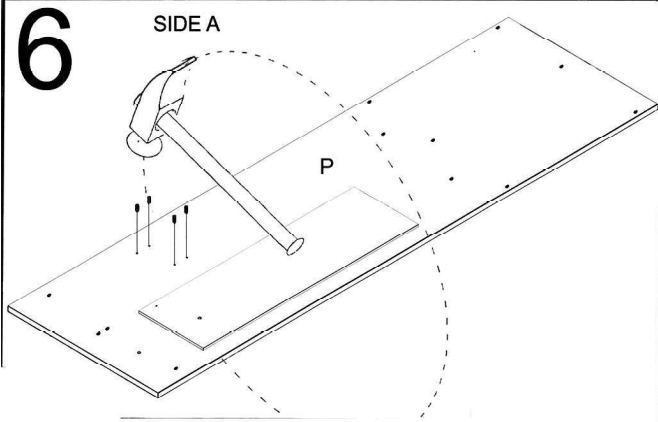
5

SIDE A
SIDE B



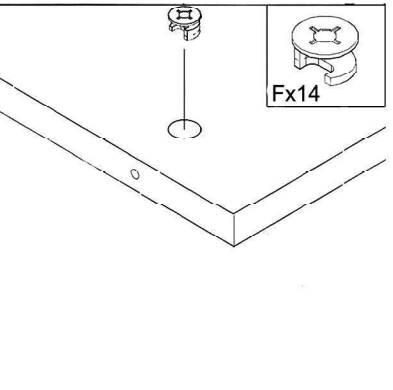
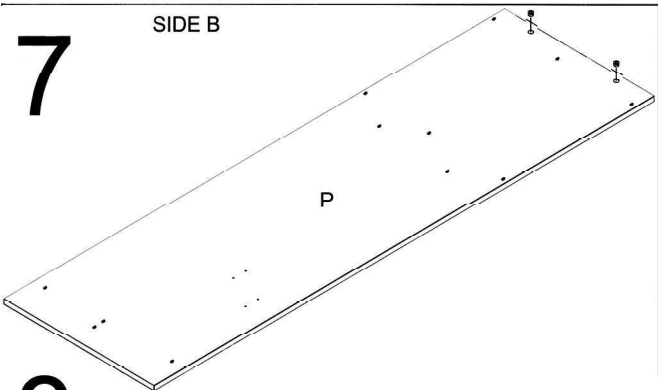
6

SIDE A

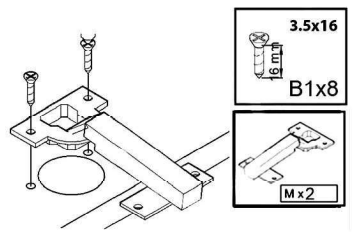
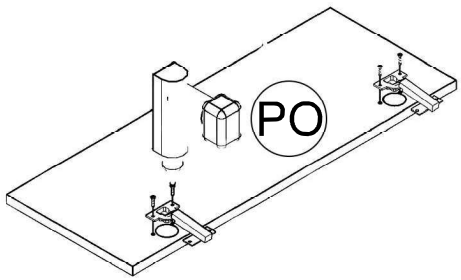


7

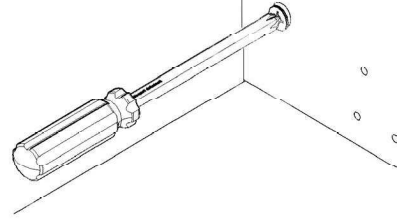
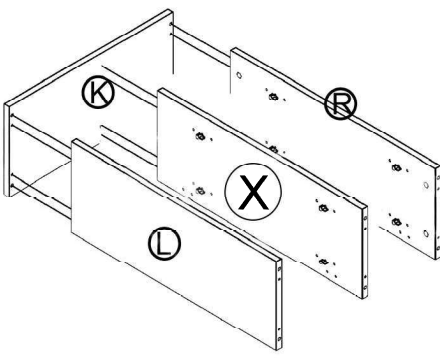
SIDE B



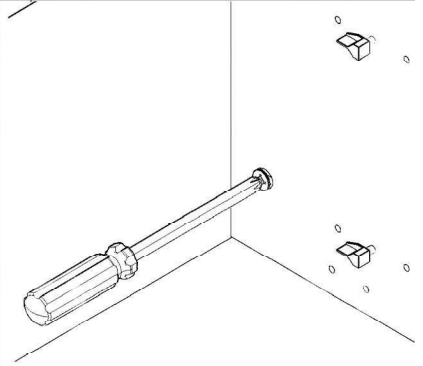
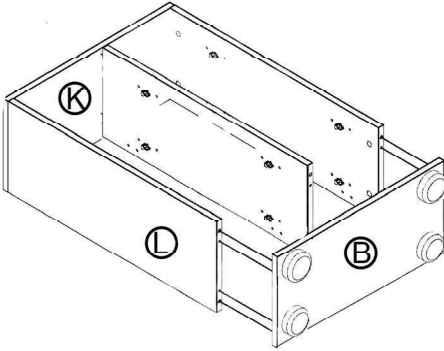
8



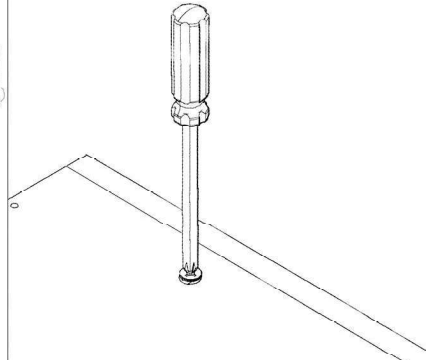
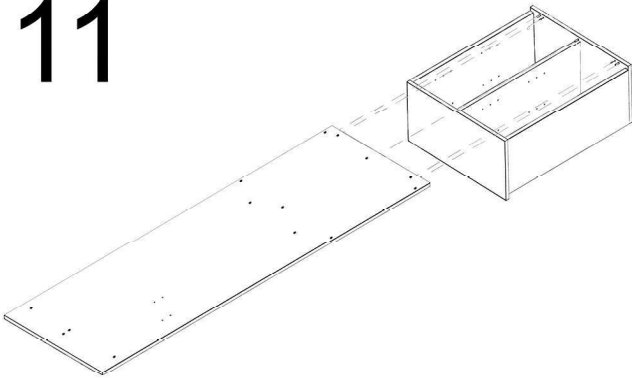
9



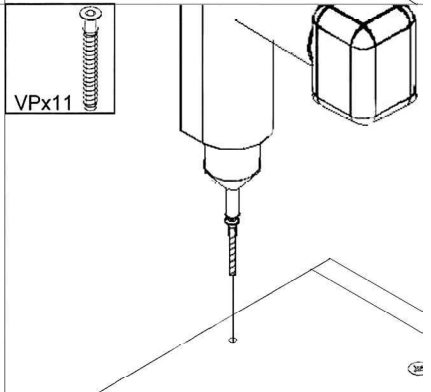
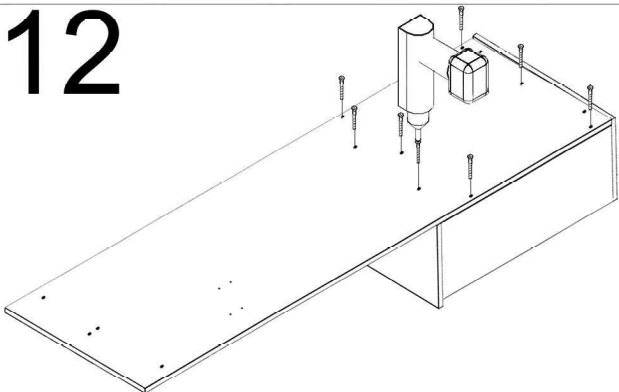
10



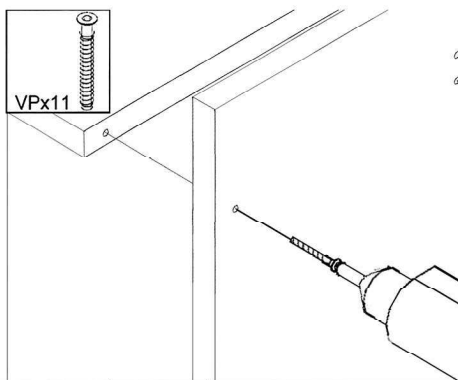
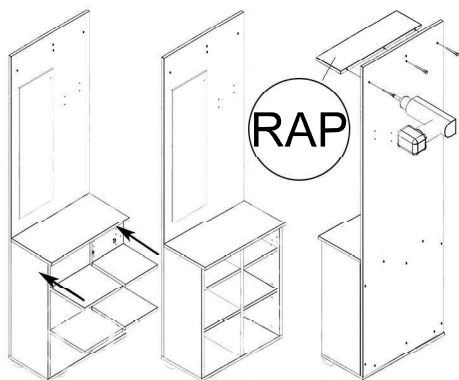
11



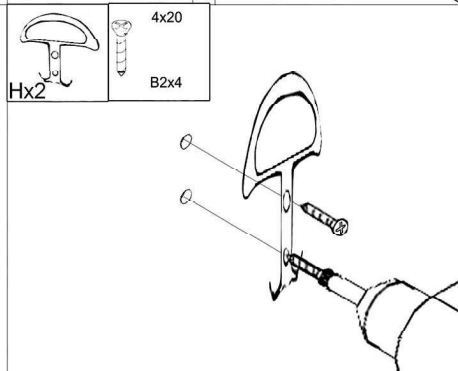
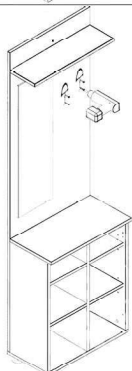
12



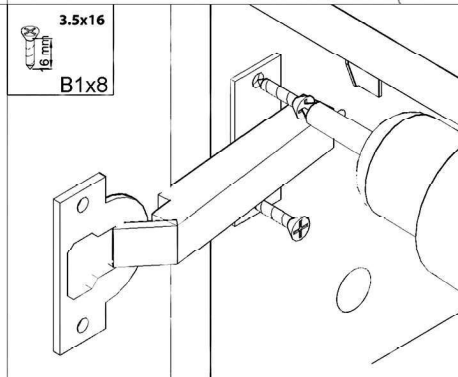
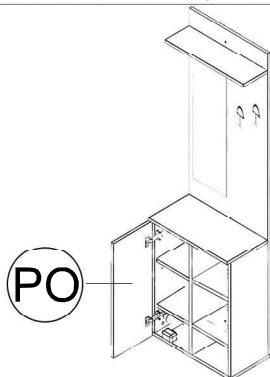
13



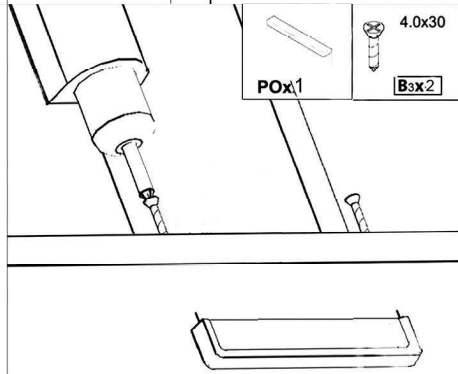
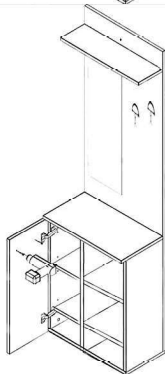
14



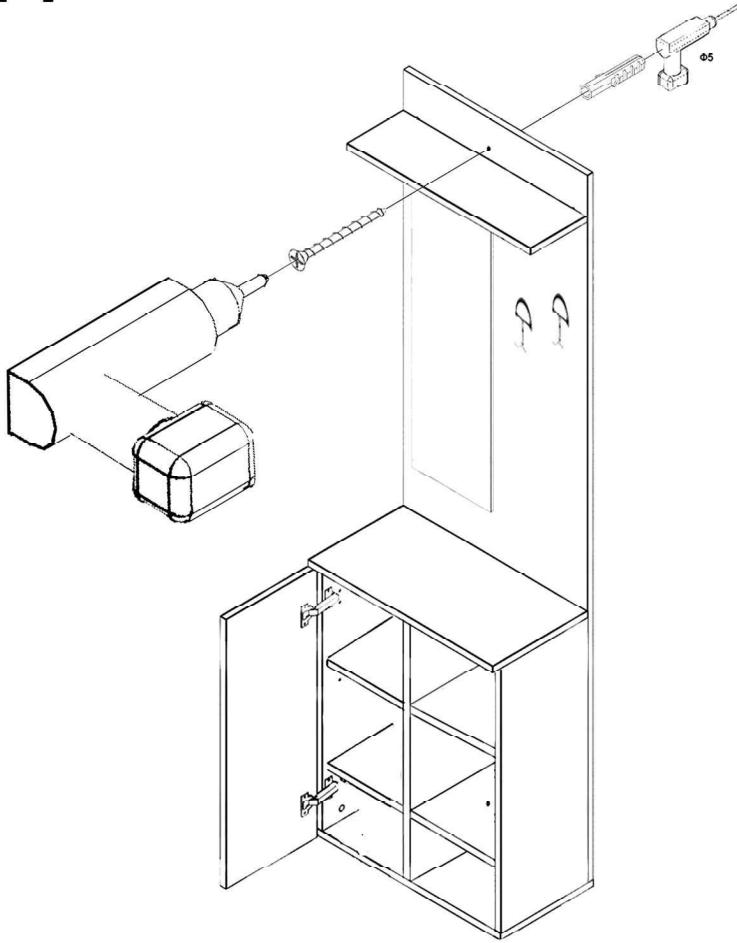
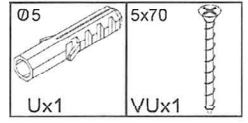
15



16



17



PLASTIC COVER CAPS

