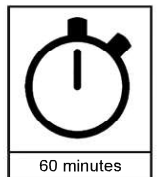
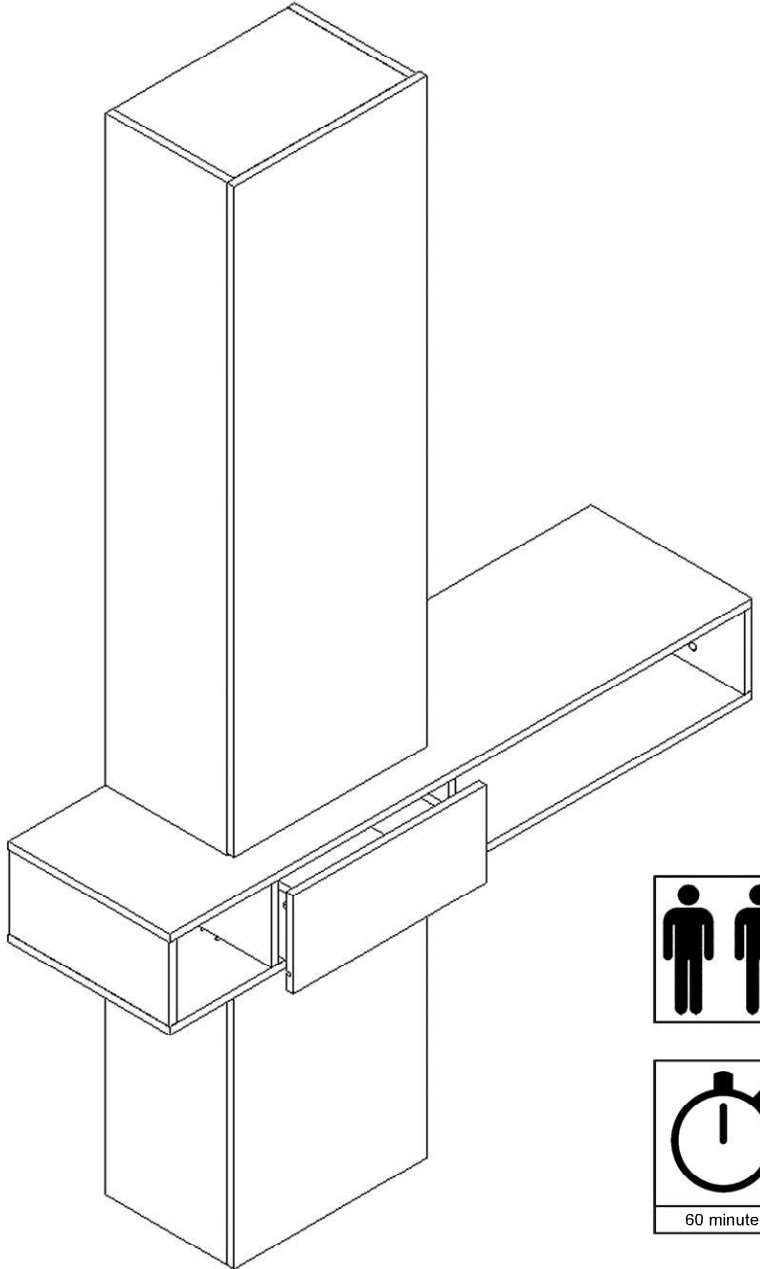
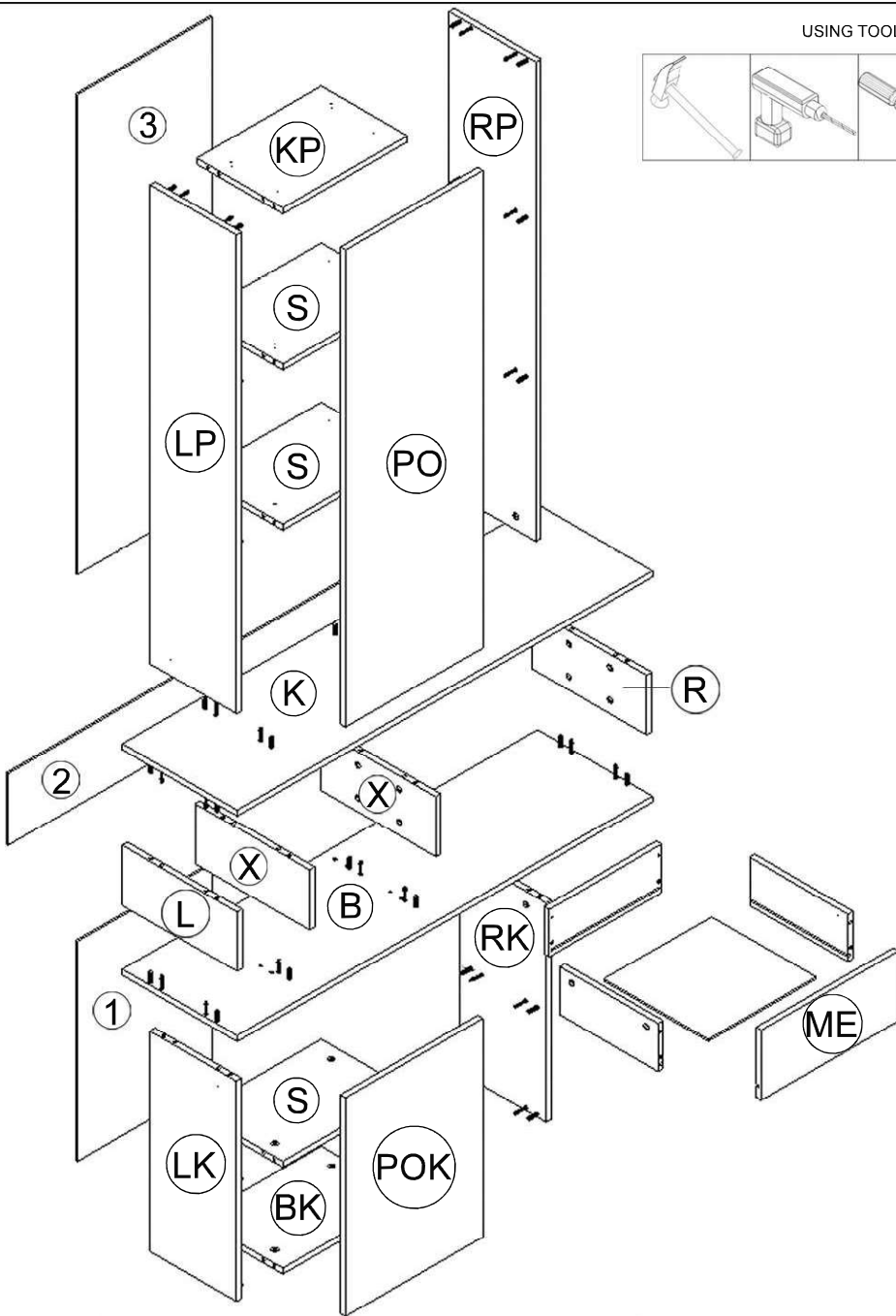
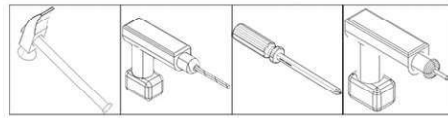


















GRK 59

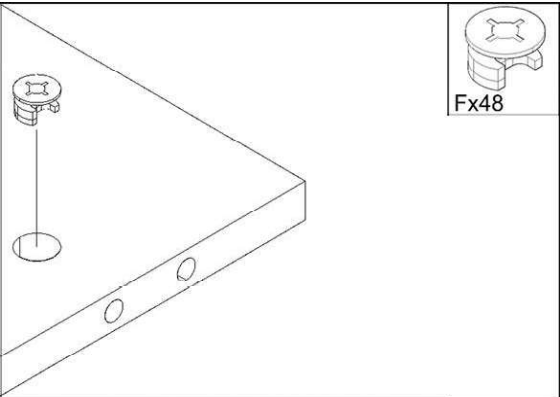
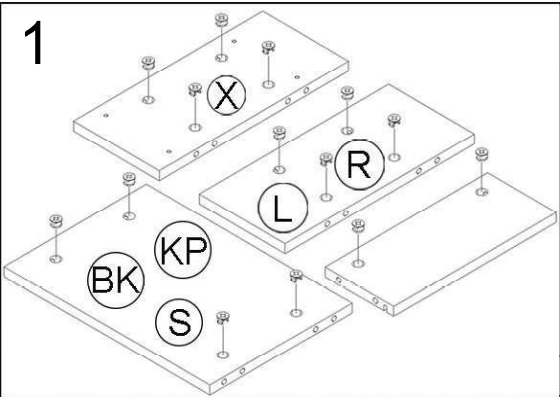


USING TOOLS

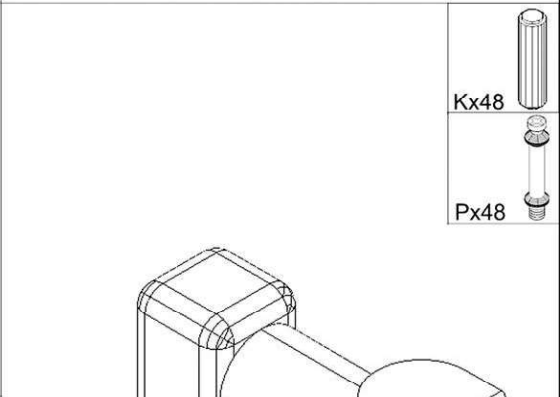
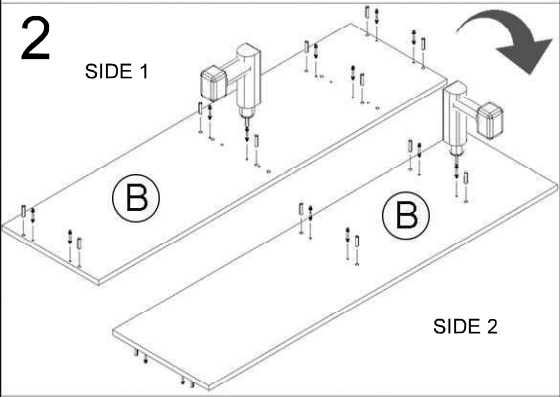


						
Tx24 30	Fx48 30	Px48 30	Kx48 30	KRx30	Mx4 3,5x16	Gx4 6x70
						
LPx1	LSx1	RPx1	RSx1	EUx4	Vx28	VTx4
						
						Ux4

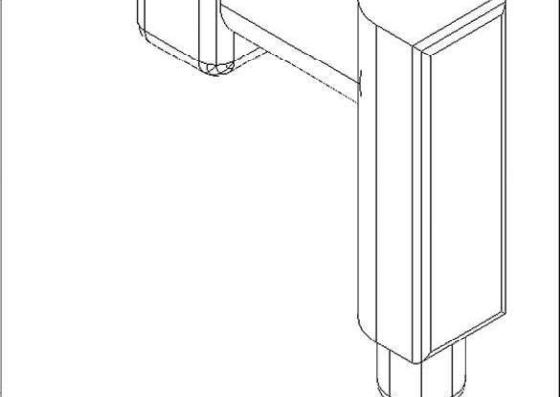
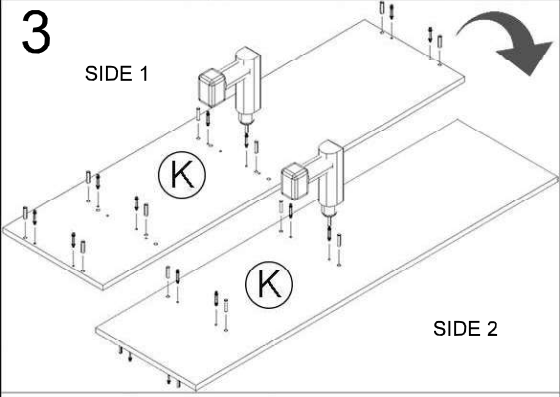
1



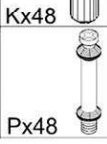
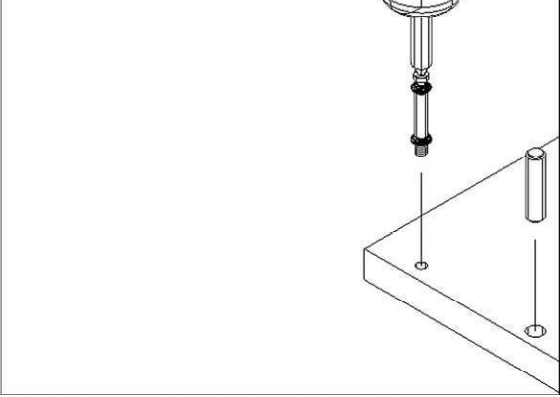
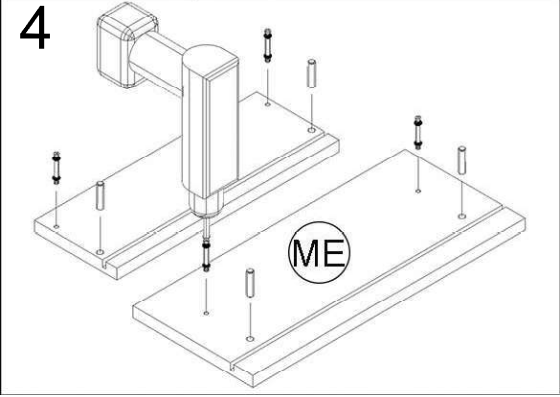
2

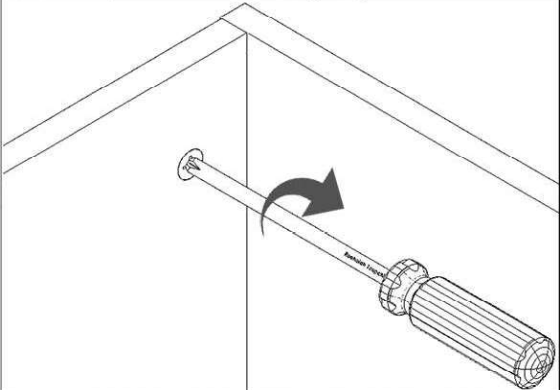
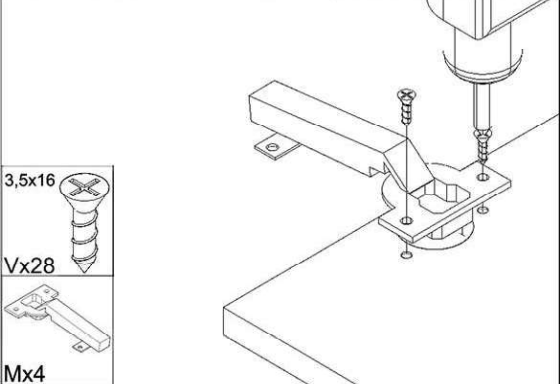
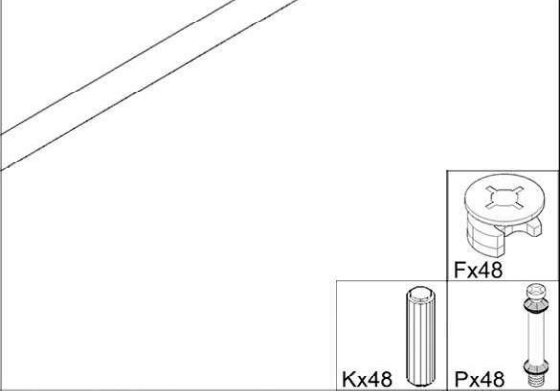
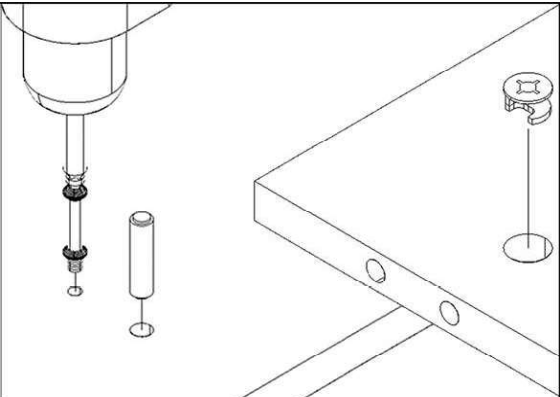
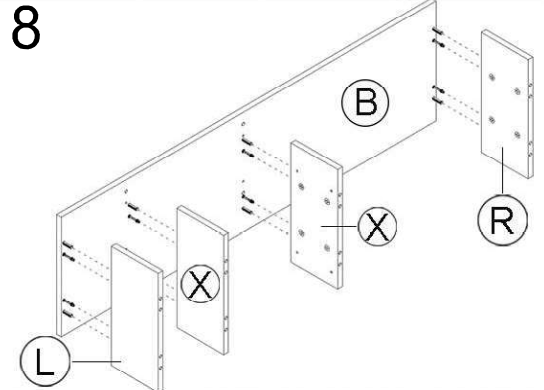
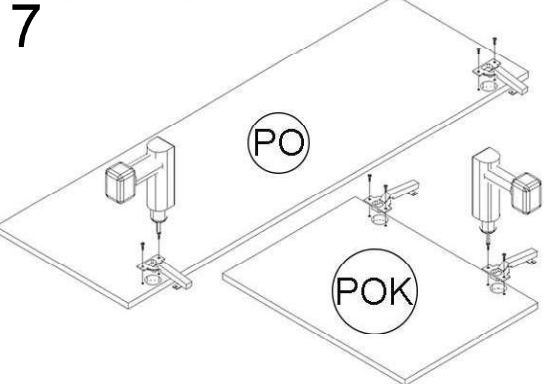
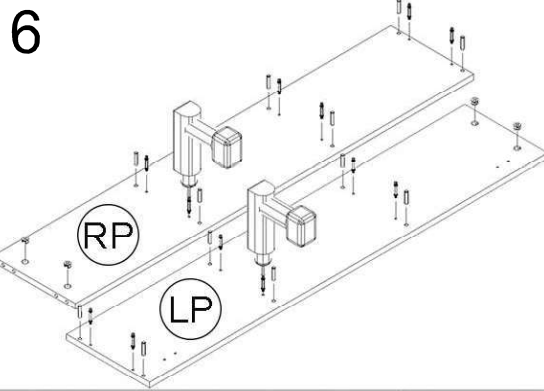
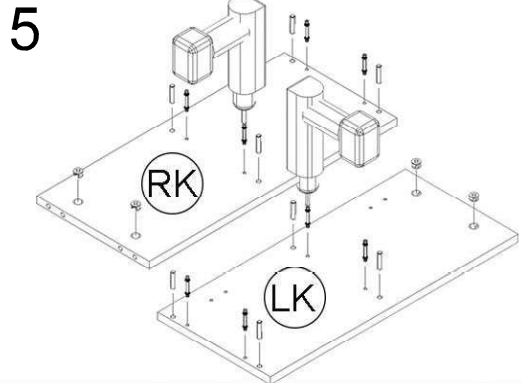


3

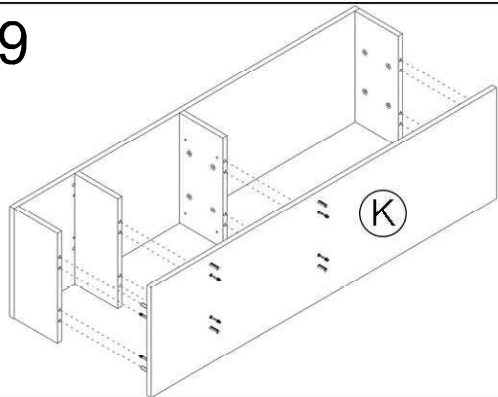


4

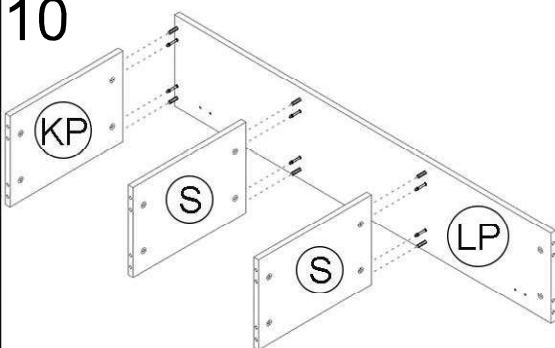




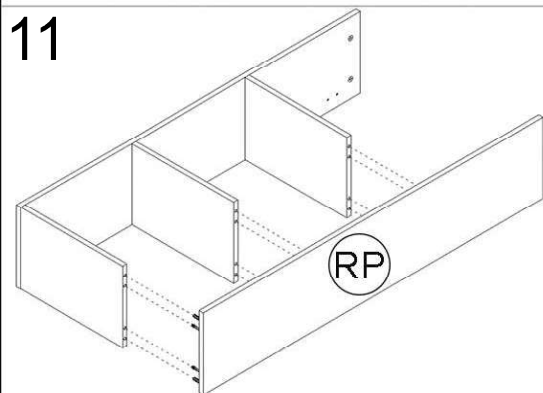
9



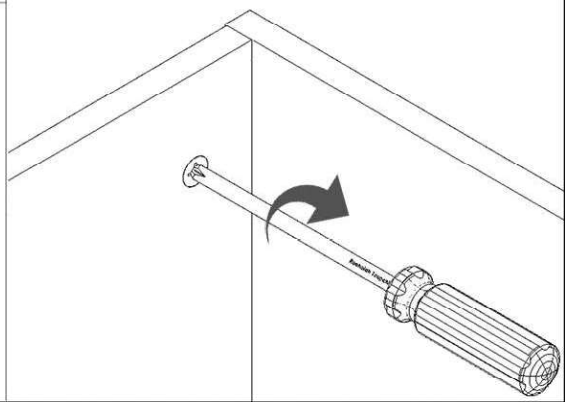
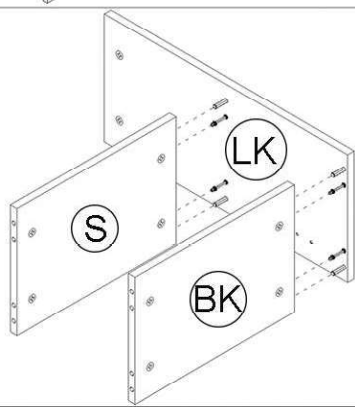
10



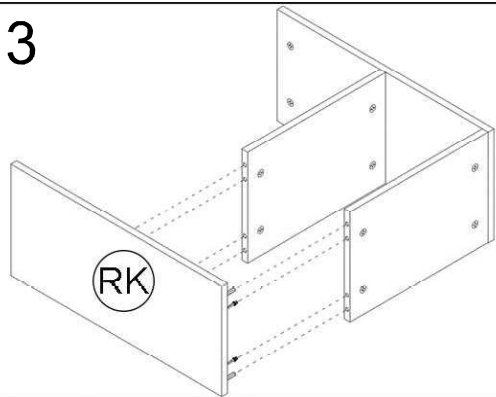
11



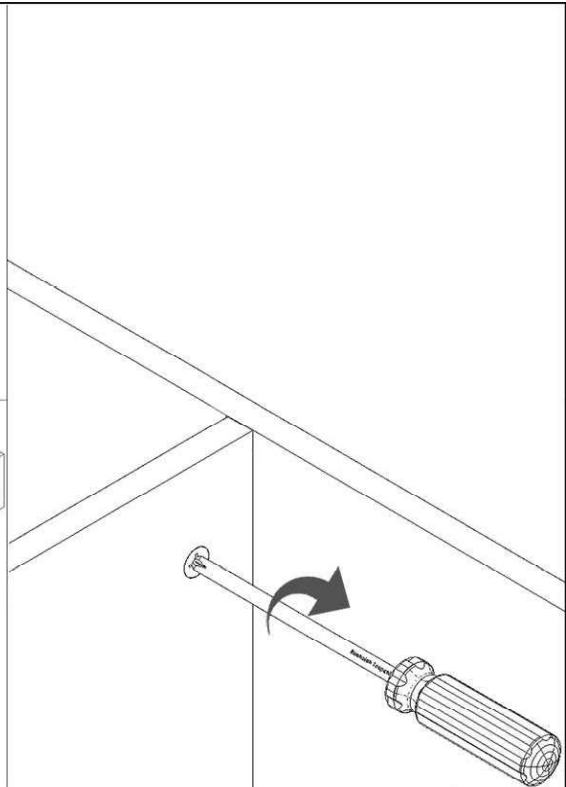
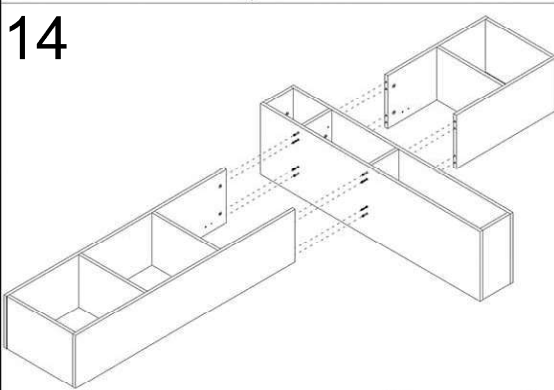
12



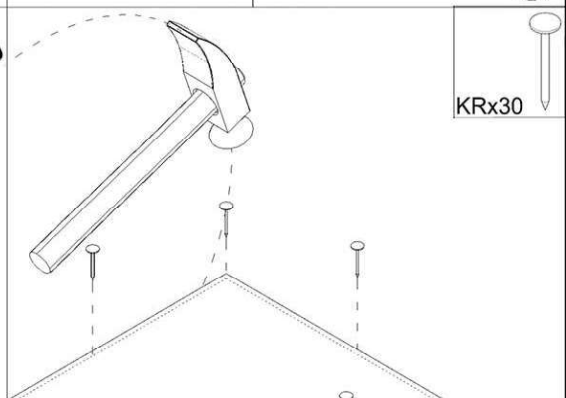
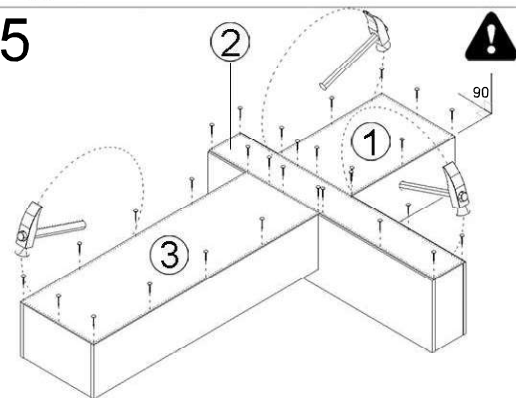
13



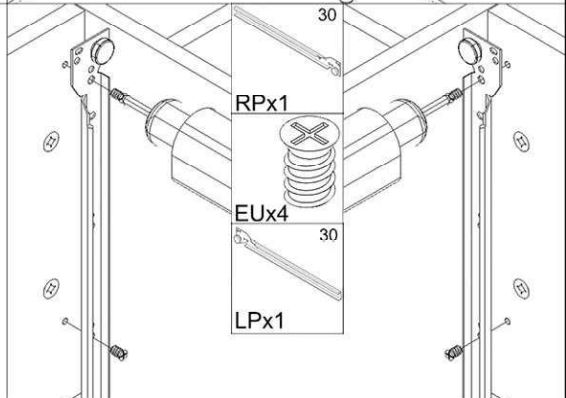
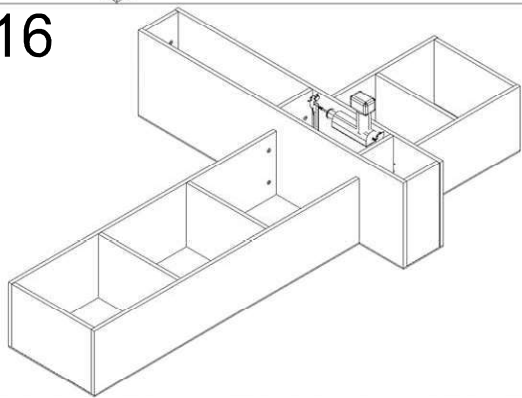
14



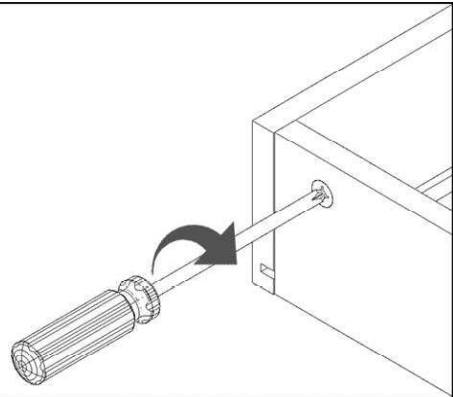
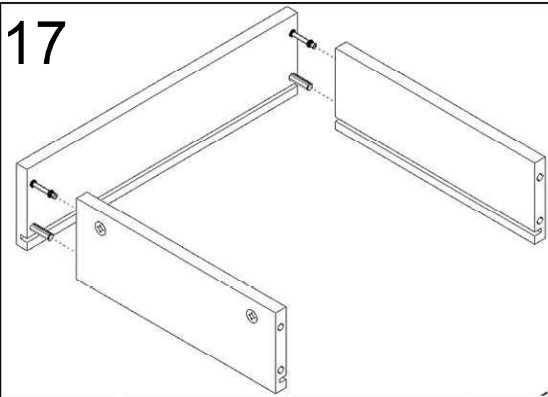
15



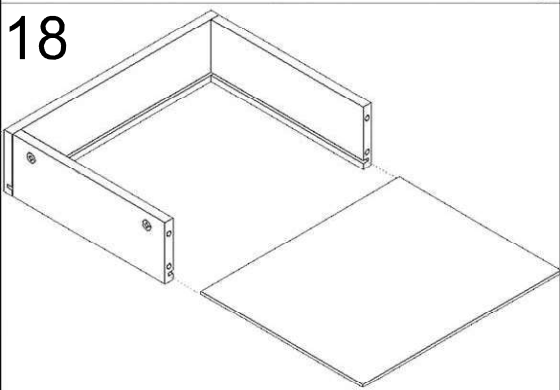
16



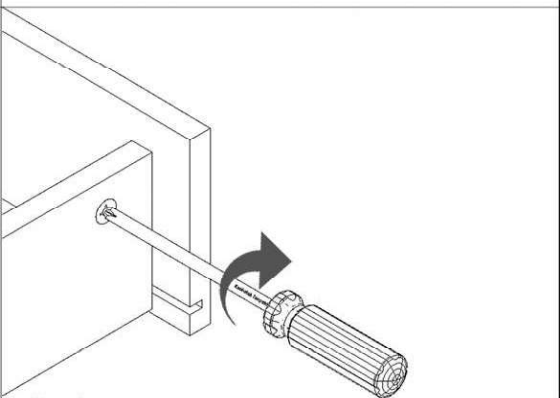
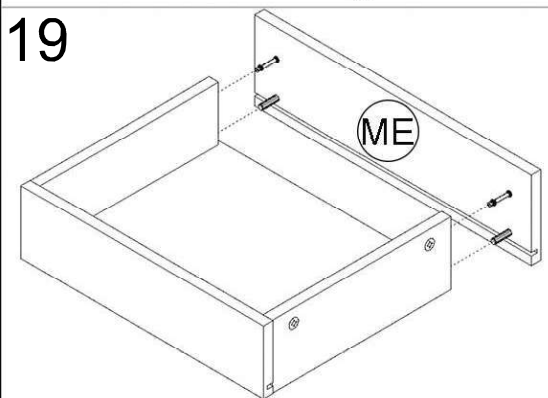
17



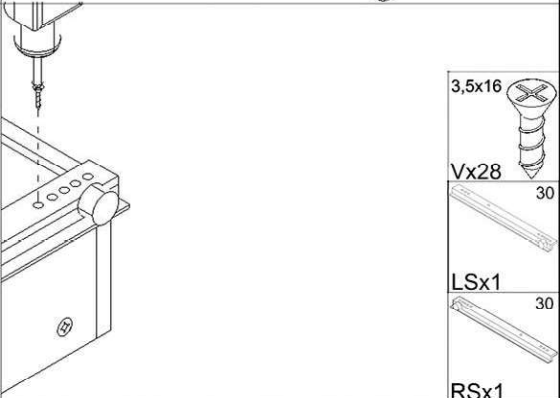
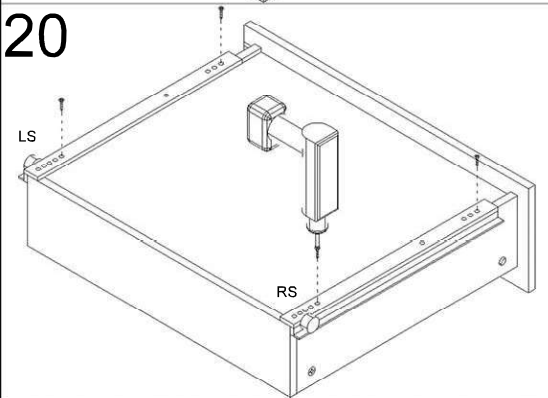
18

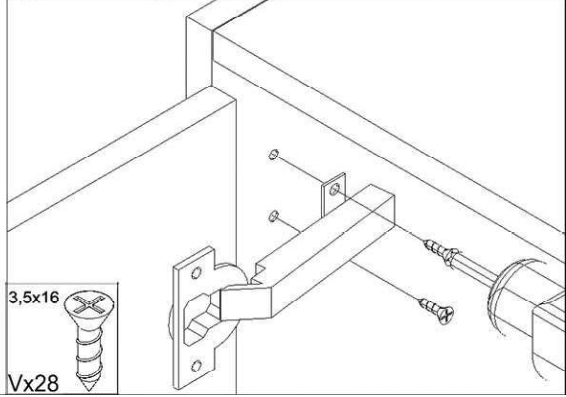
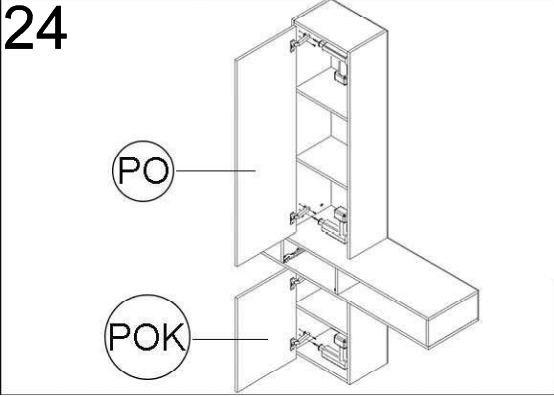
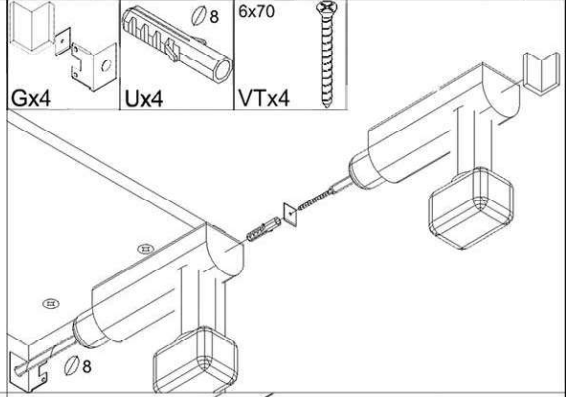
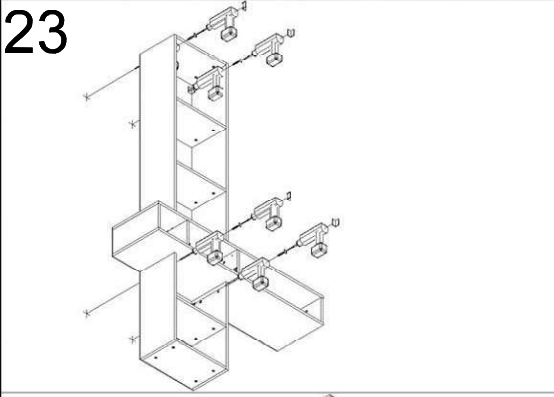
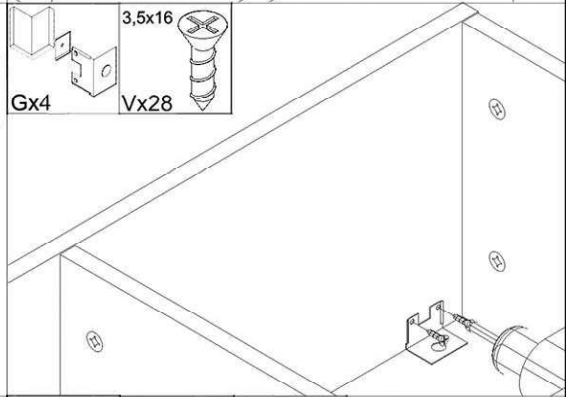
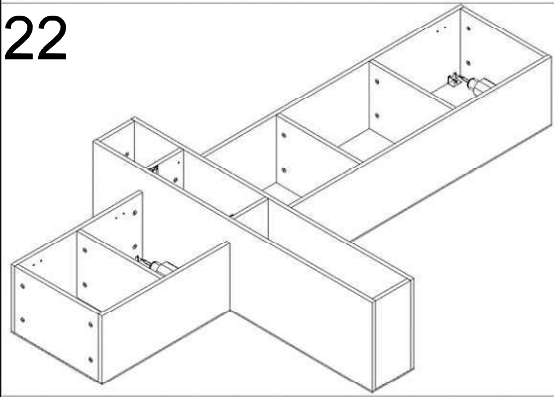
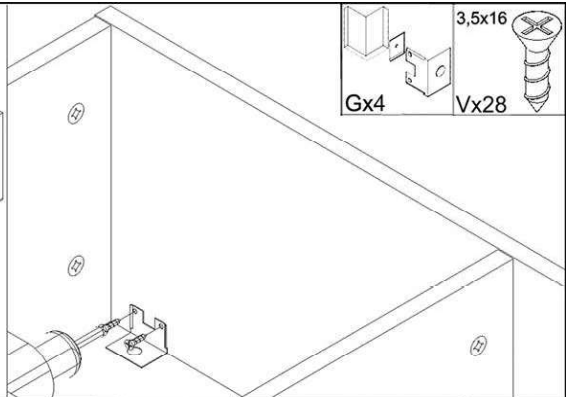
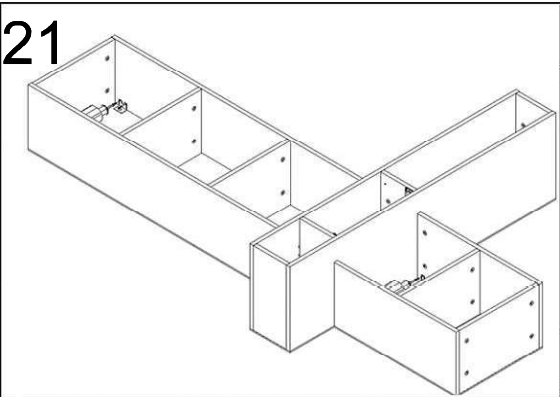


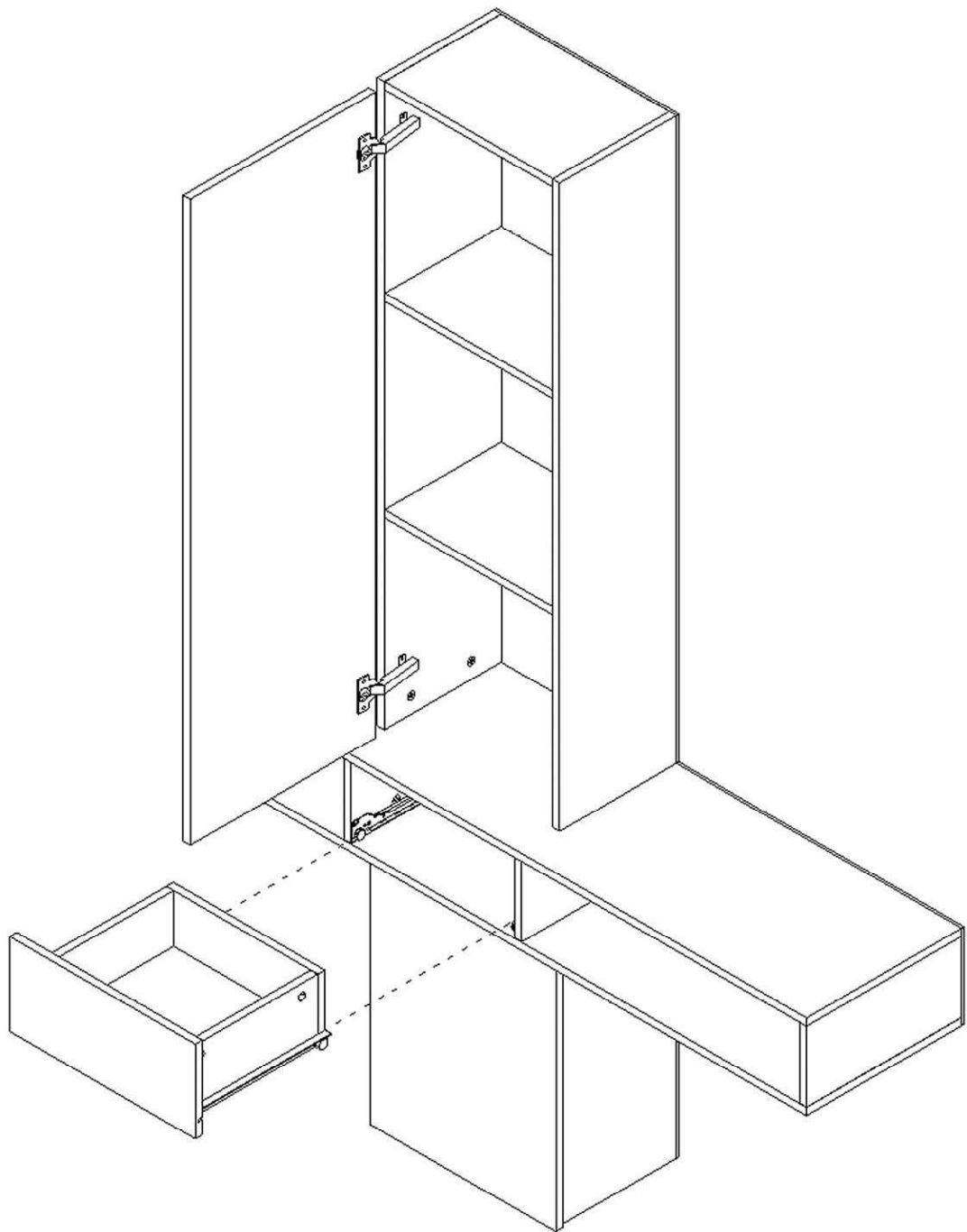
19



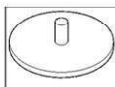
20







PLASTIC COVER CAPS



Tx24



Fx48

