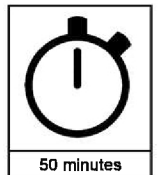
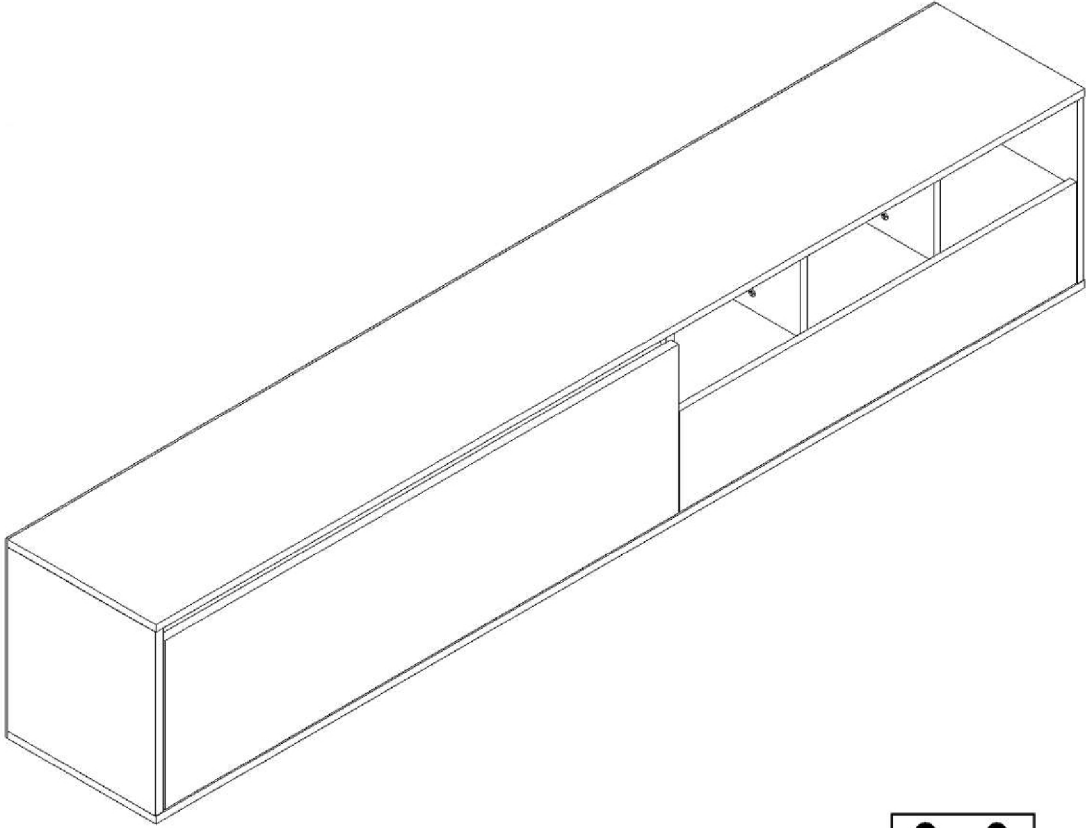
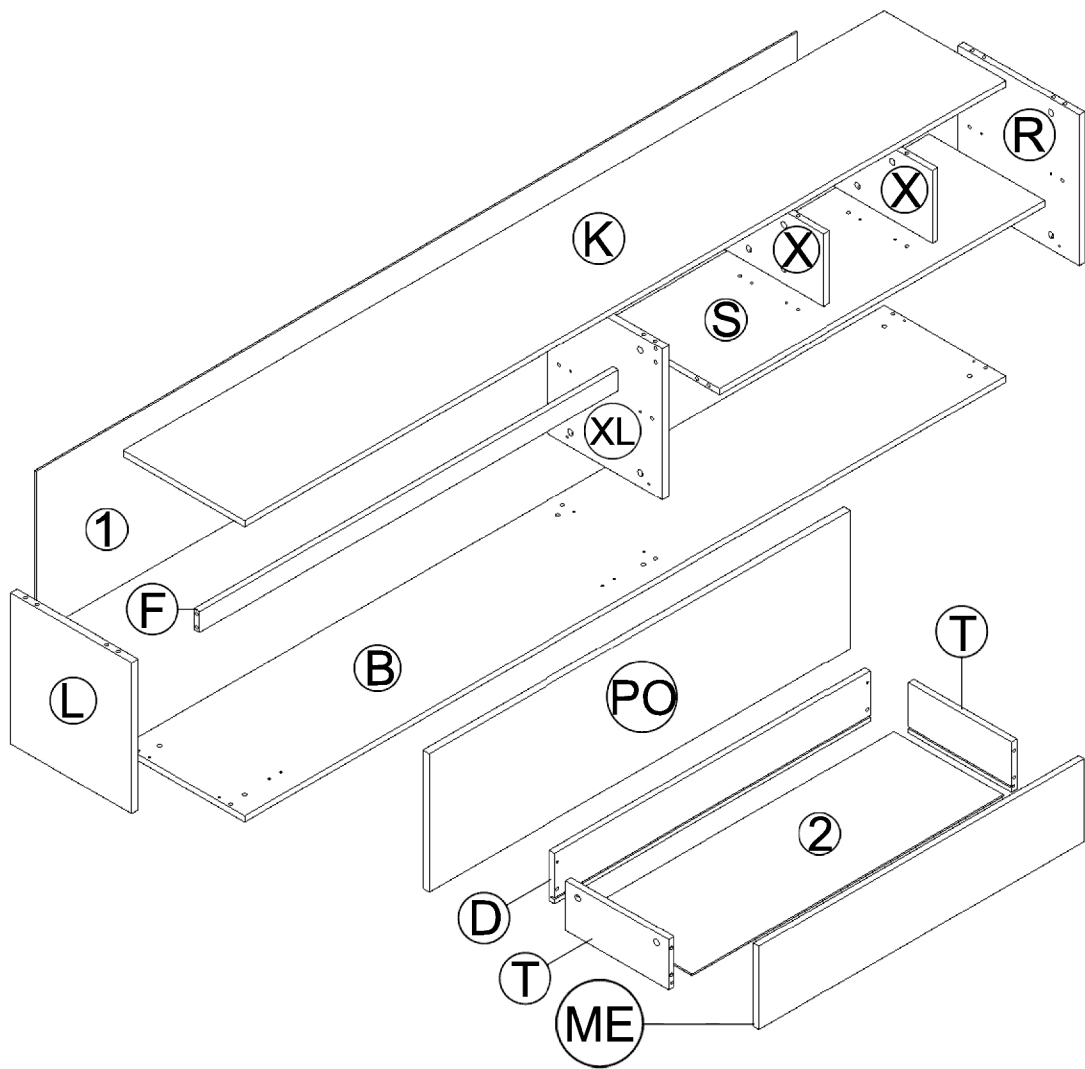
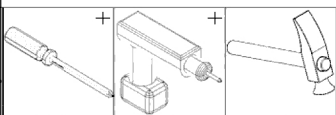


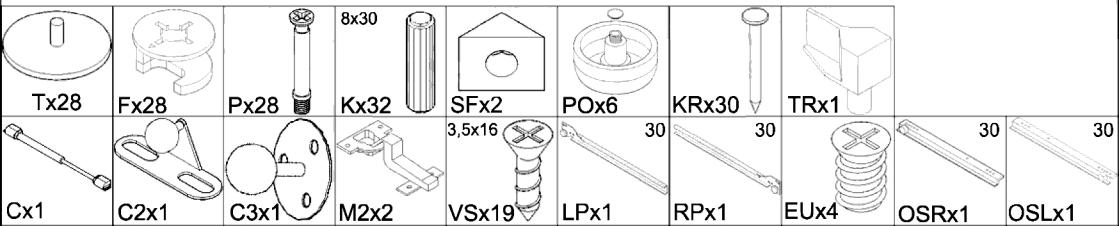
GRK 91 A

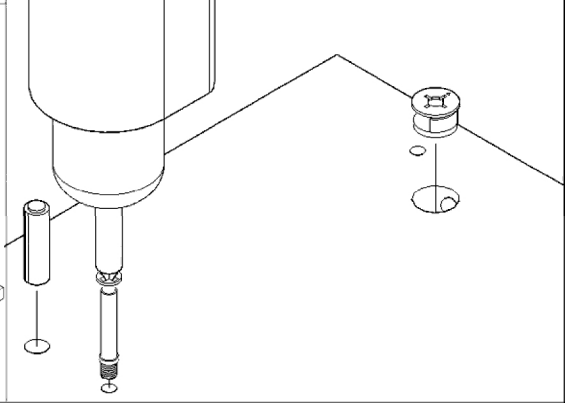
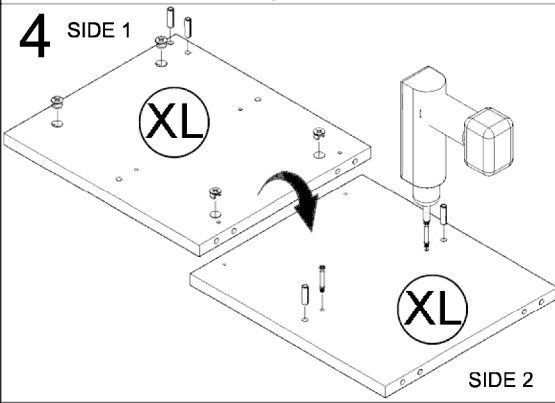
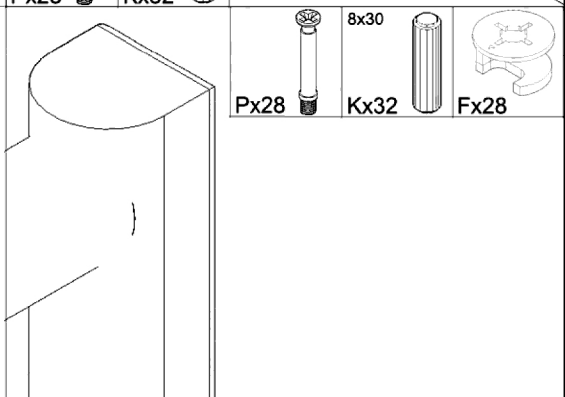
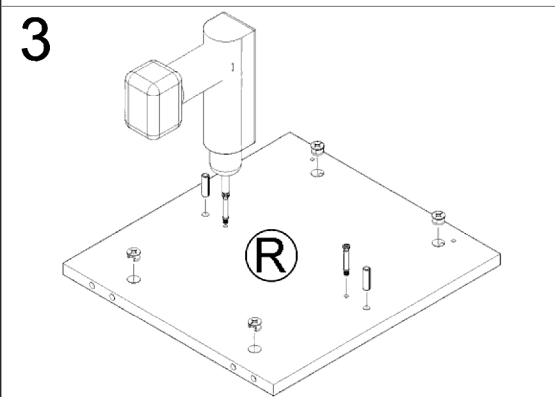
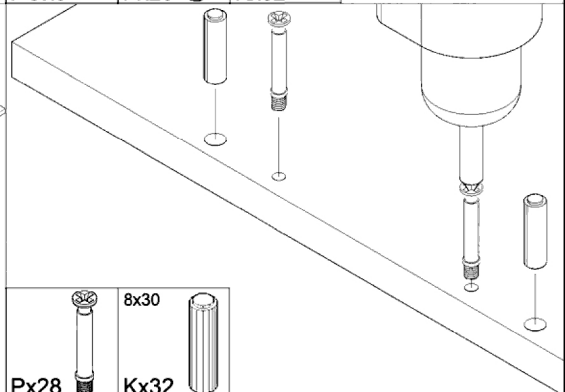
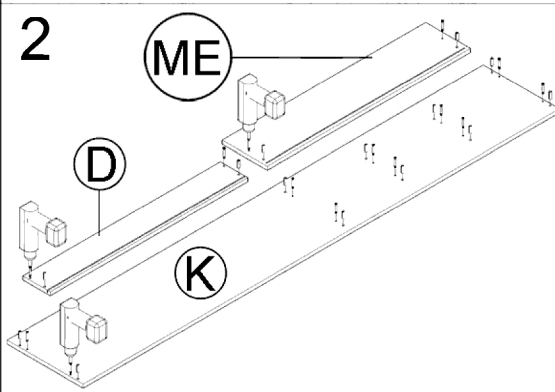
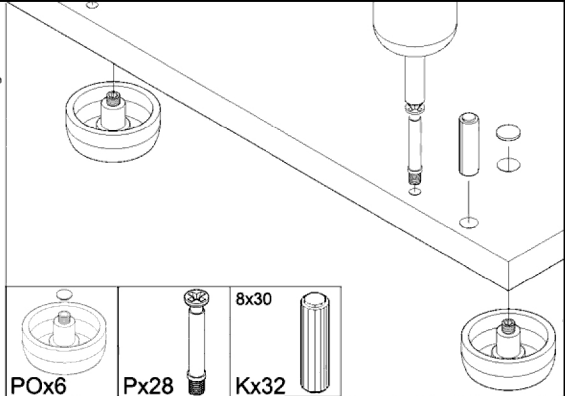
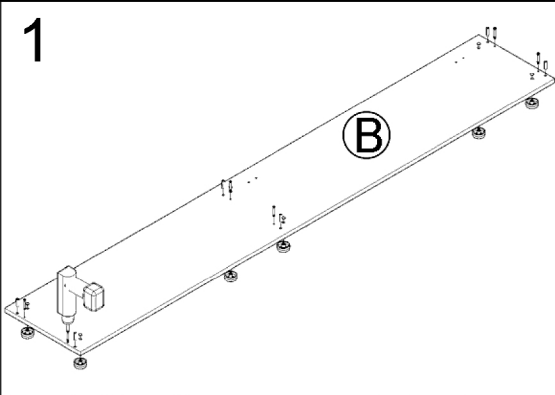


USING TOOLS

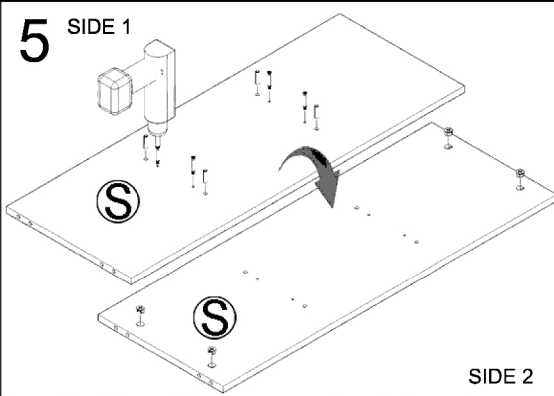


USING HARDWARE

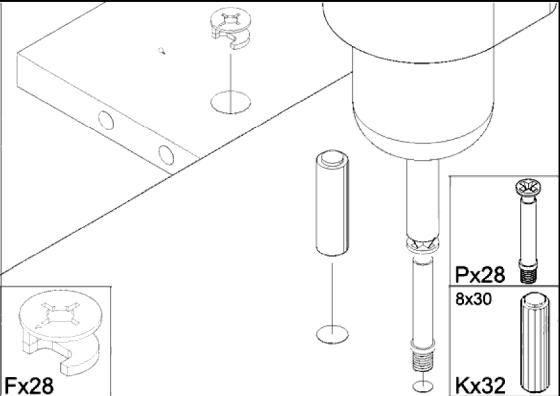




5 SIDE 1



SIDE 2

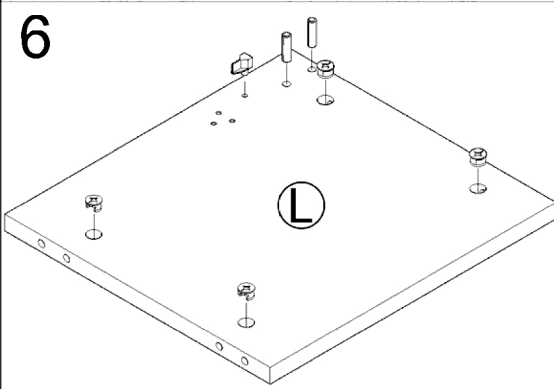


Px28
8x30

Kx32
8x30

Kx32

6



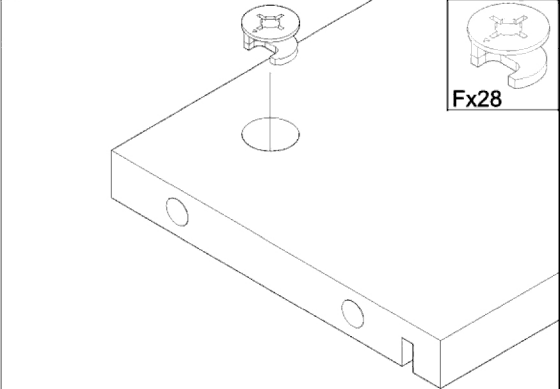
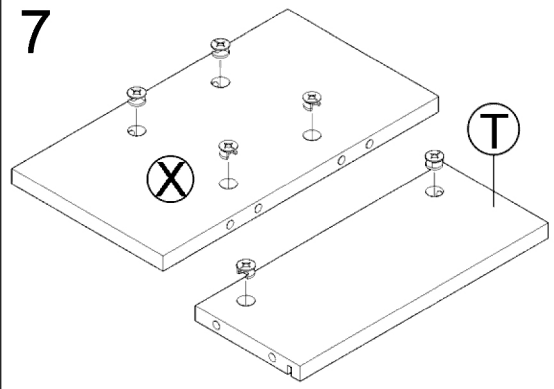
Fx28

TRx1

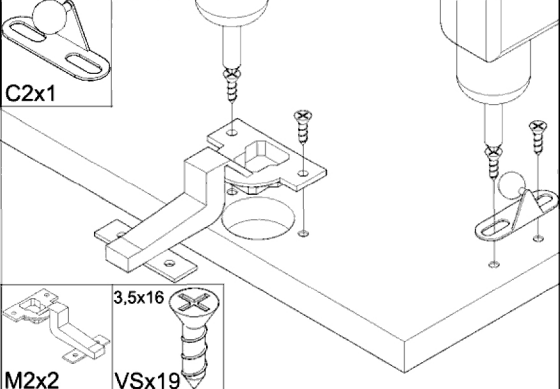
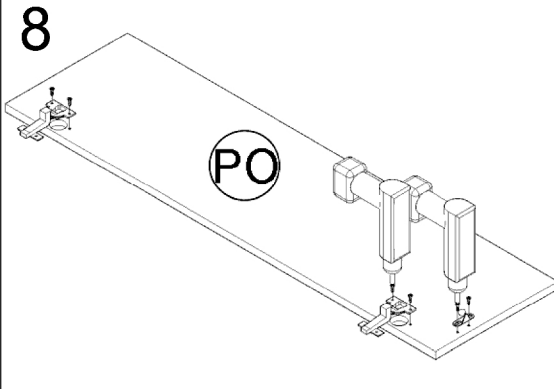
Fx28

Fx28

7



8

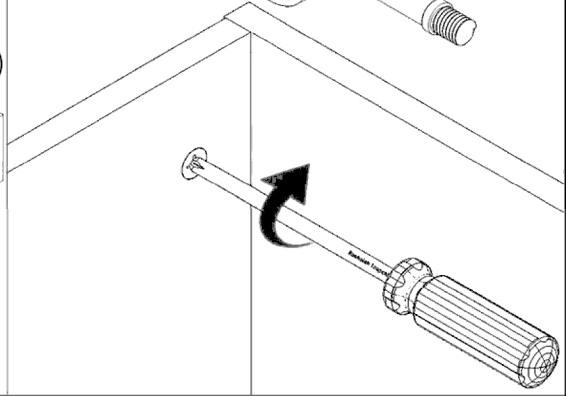
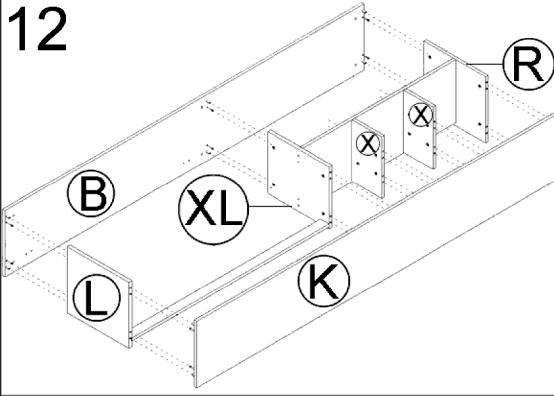
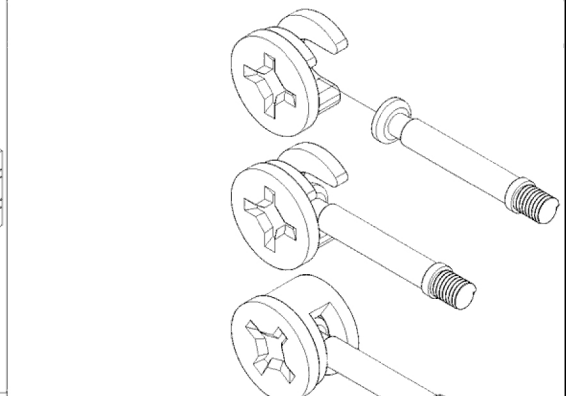
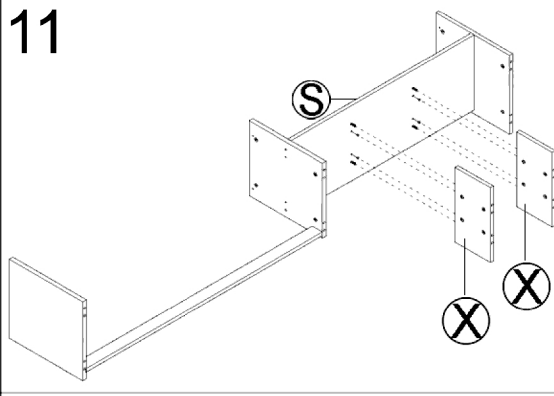
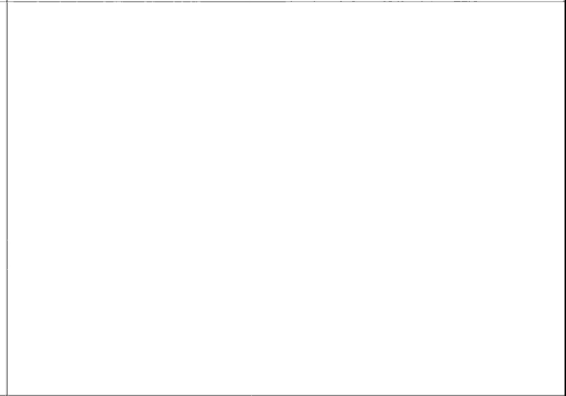
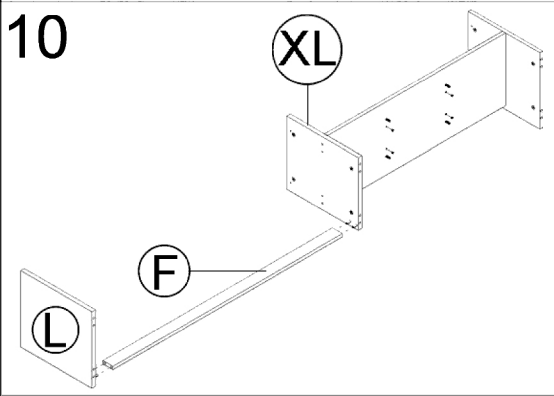
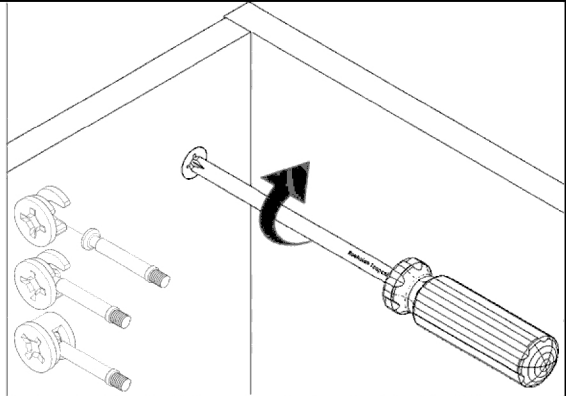
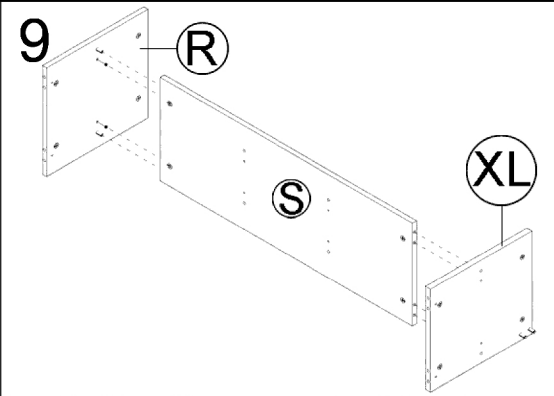


C2x1

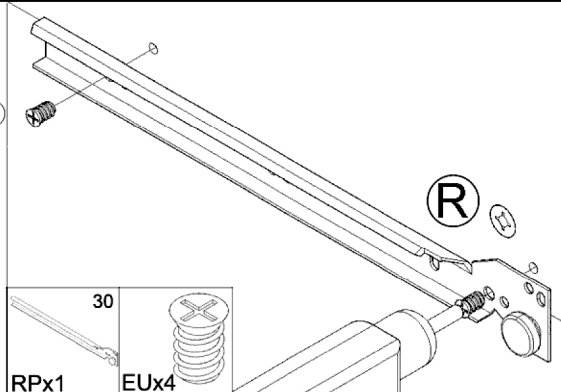
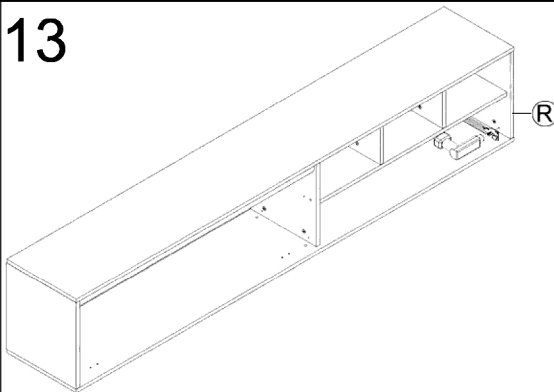
M2x2

3,5x16

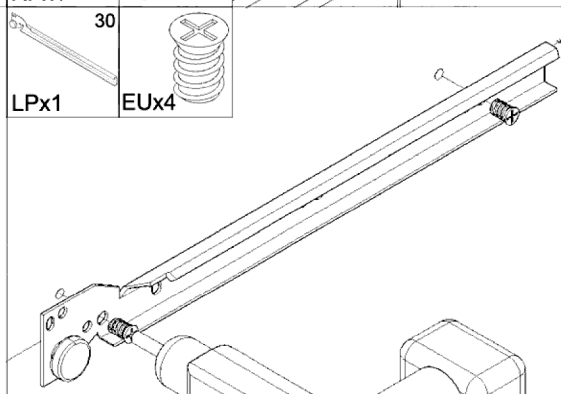
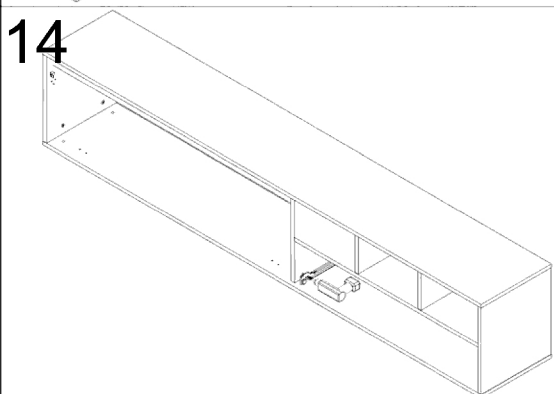
VSx19



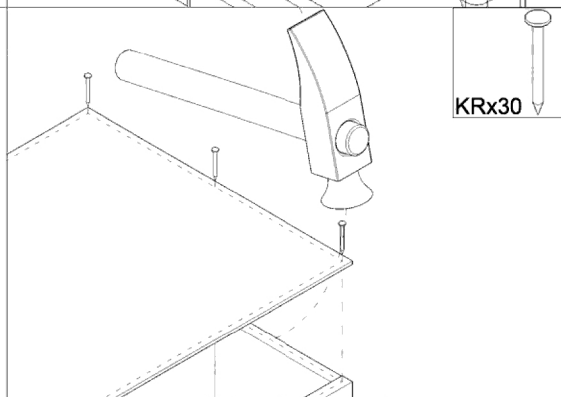
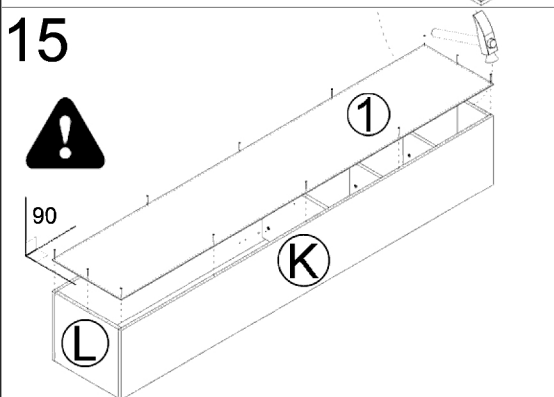
13



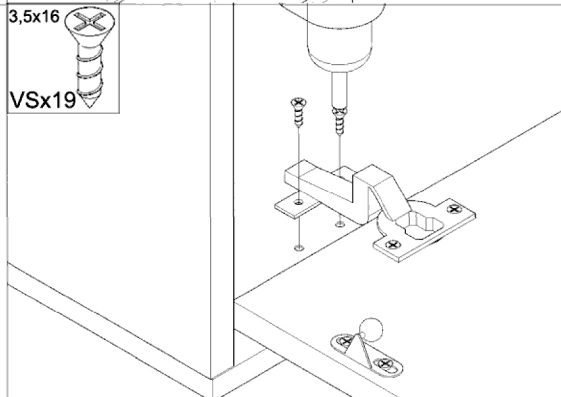
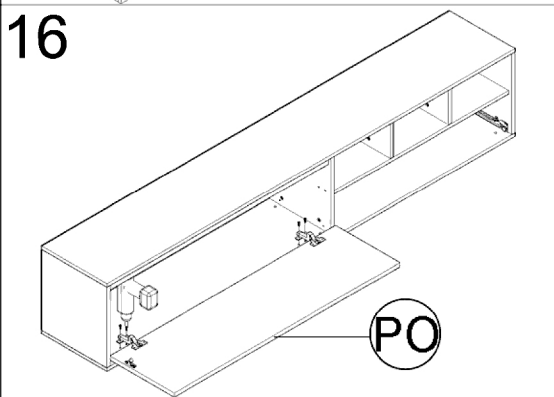
14



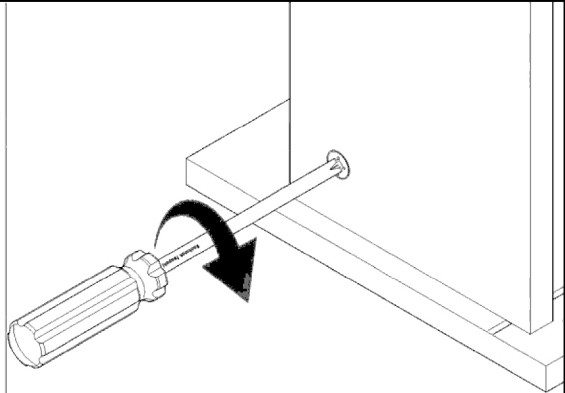
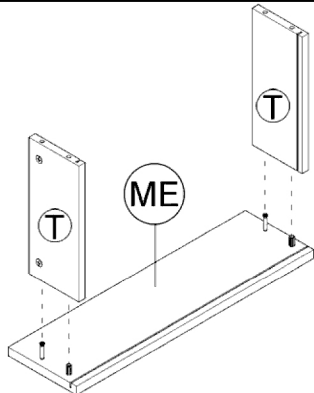
15



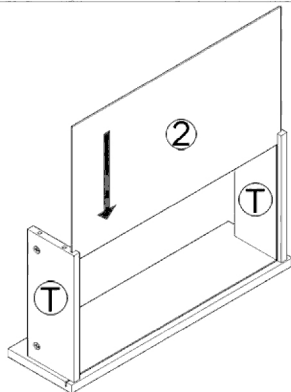
16



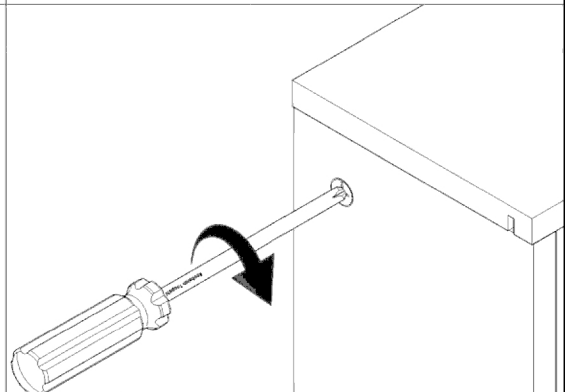
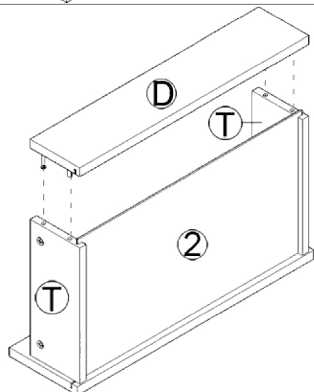
17



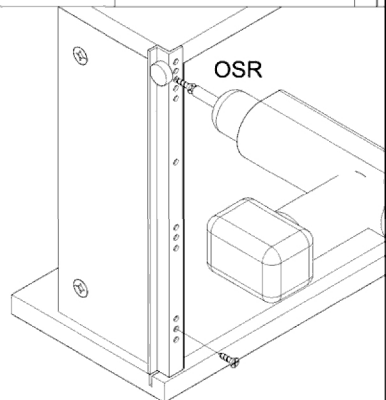
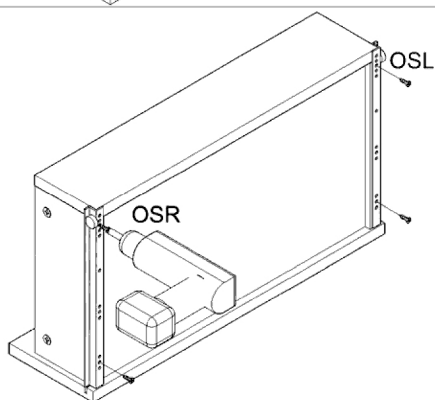
18



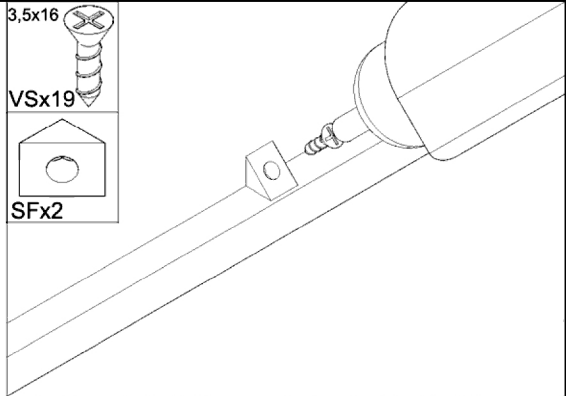
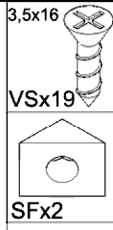
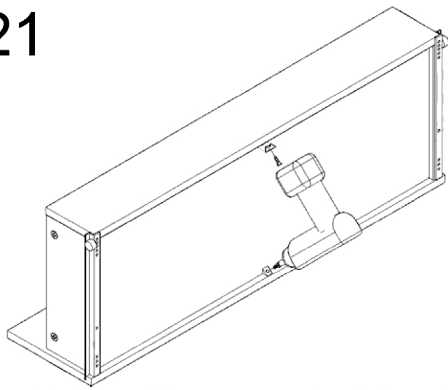
19



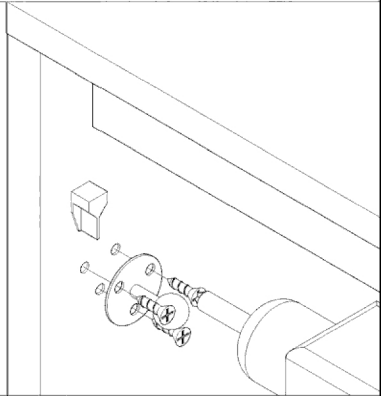
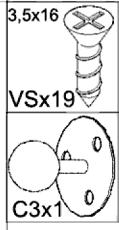
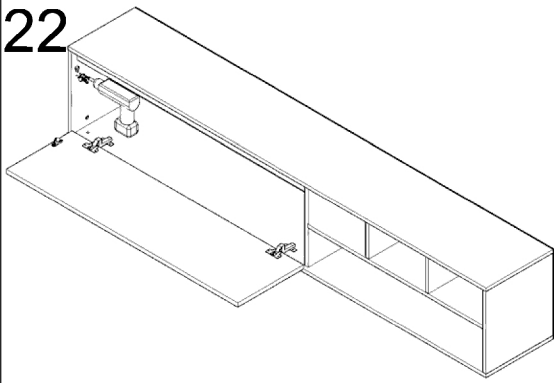
20



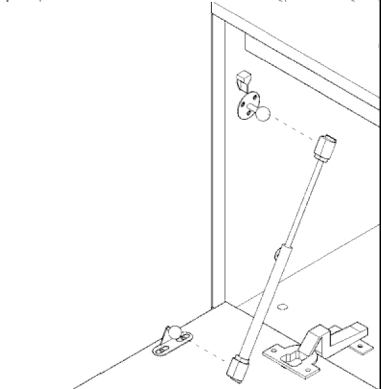
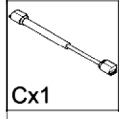
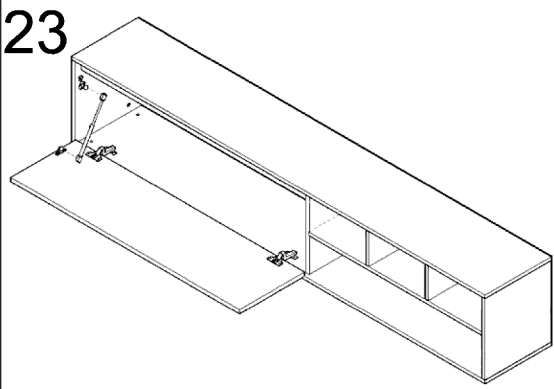
21



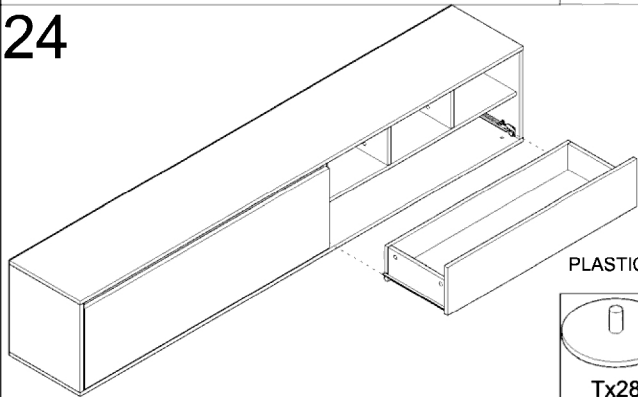
22



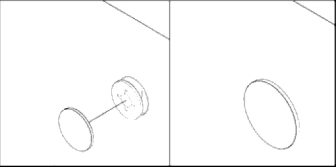
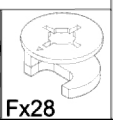
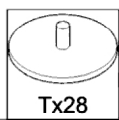
23



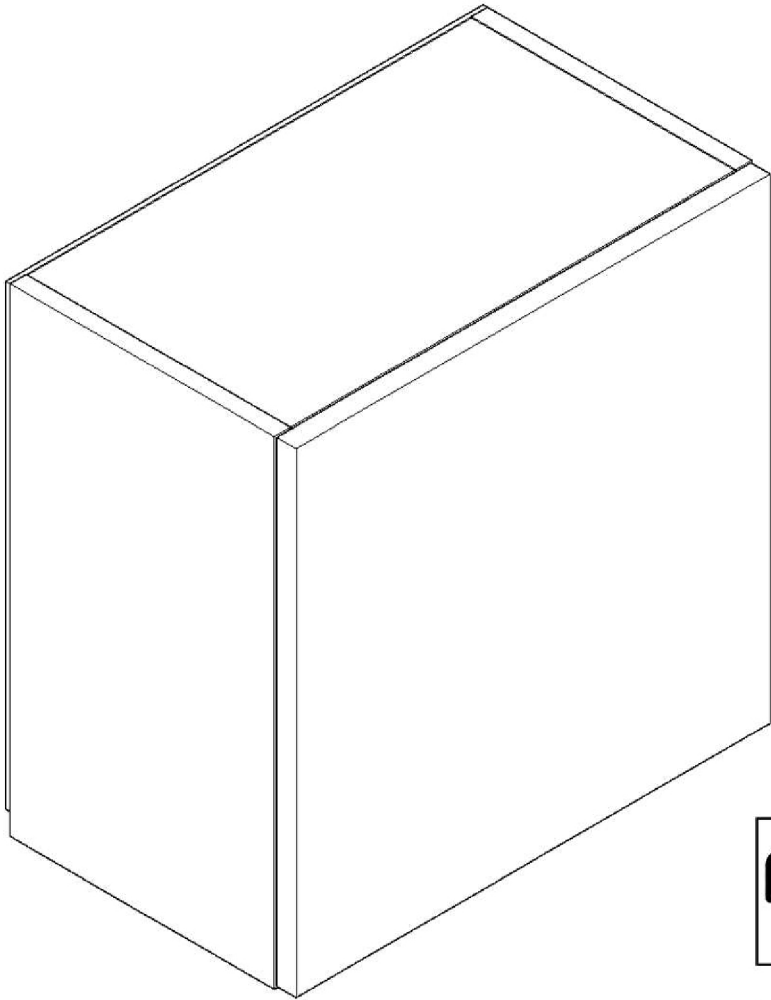
24



PLASTIC COVER CAPS

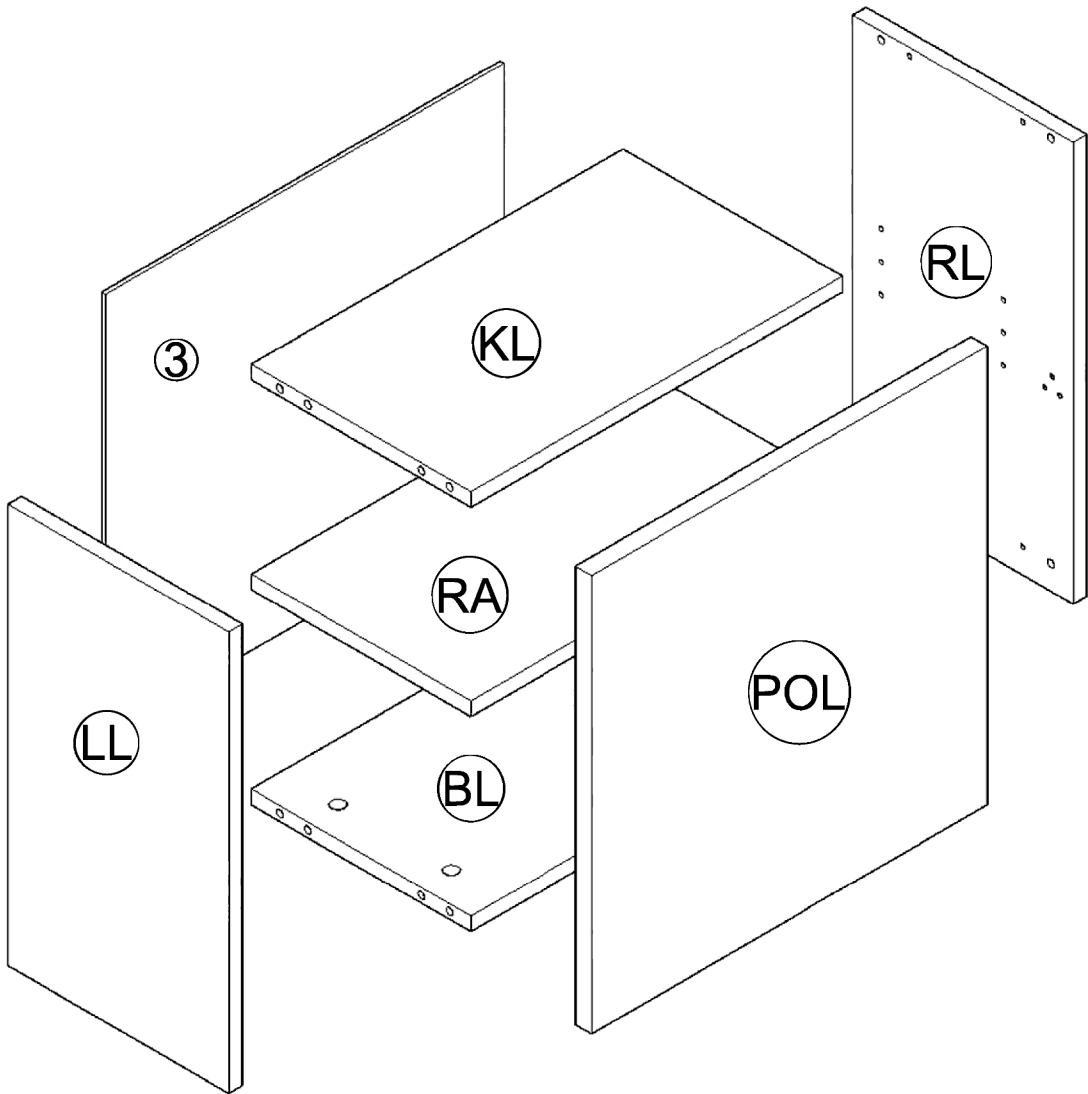
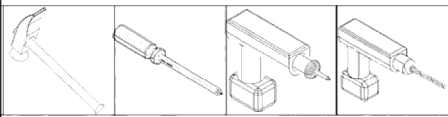


GRK 91 B

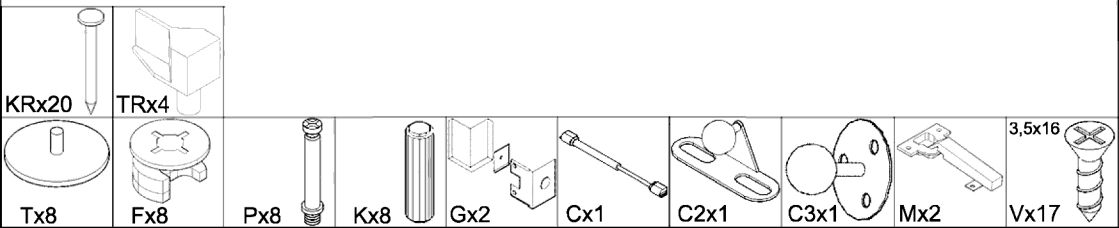


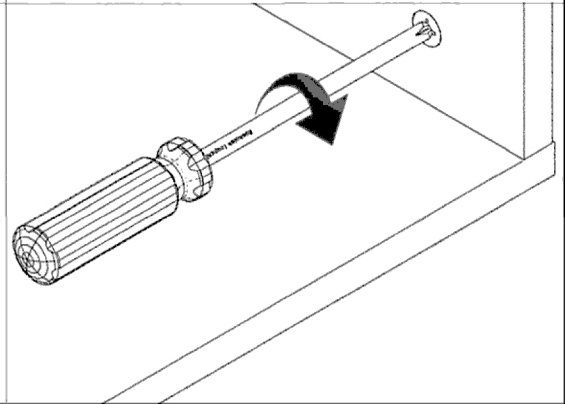
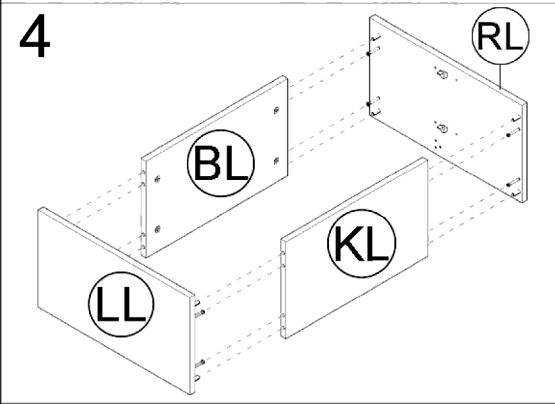
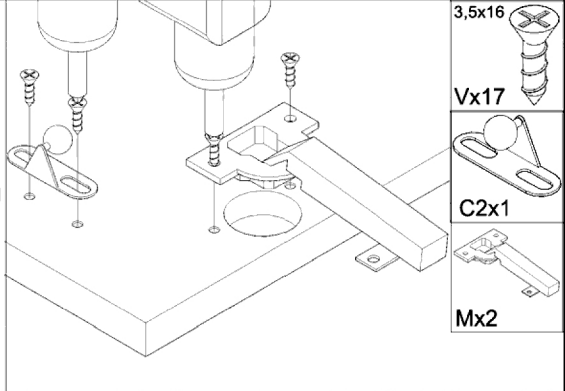
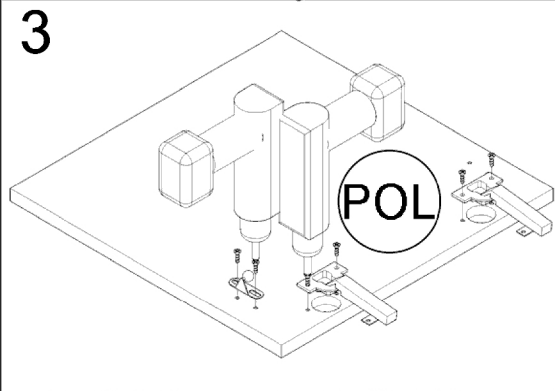
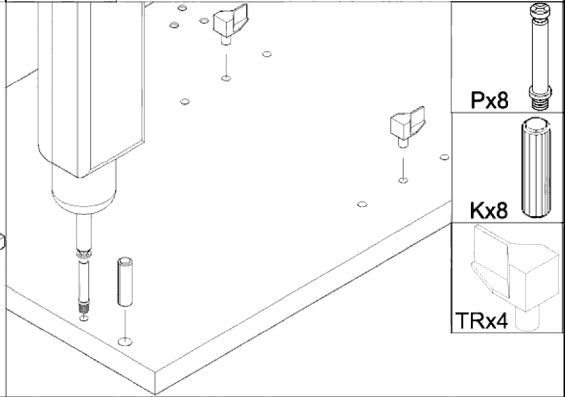
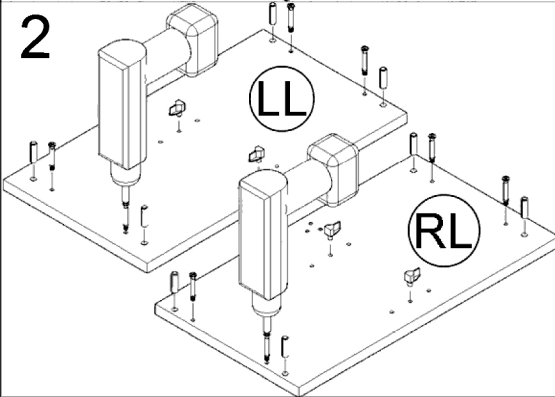
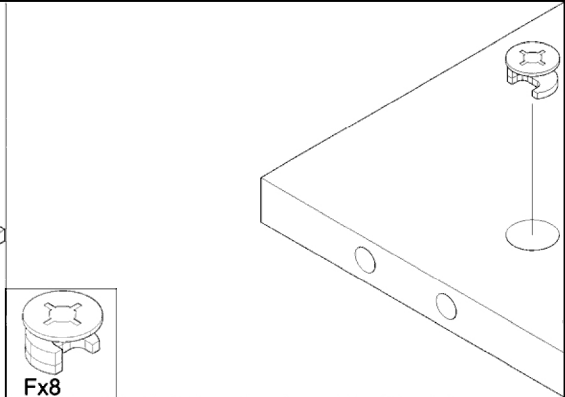
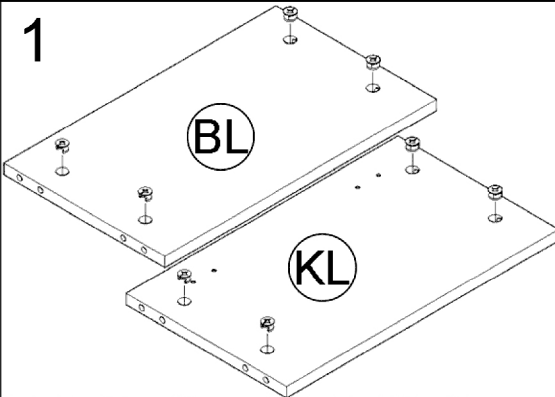
15 minutes

USING TOOLS

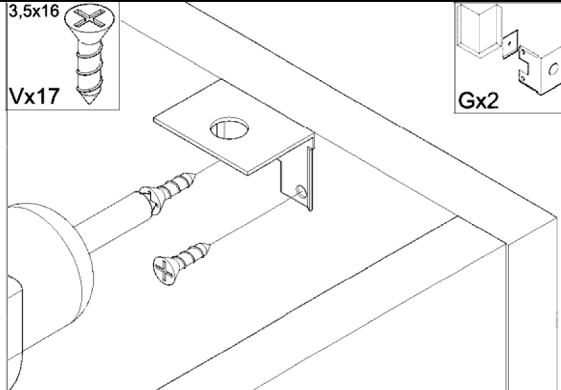
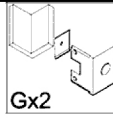
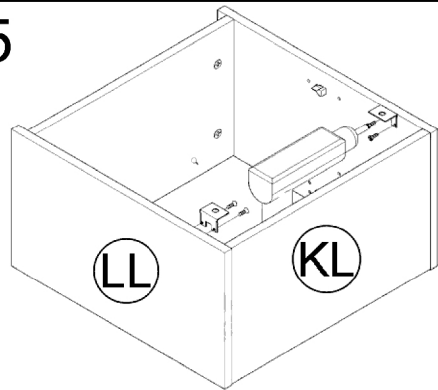


USING HARDWARE

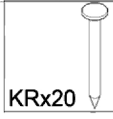
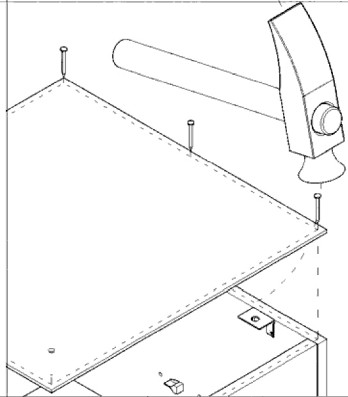
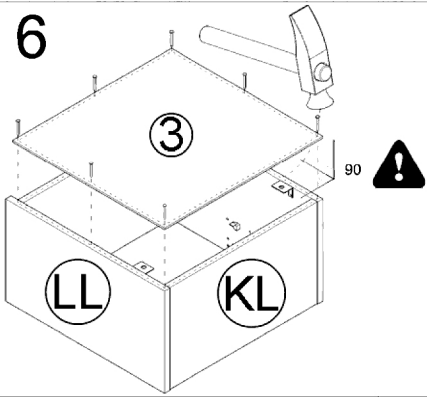




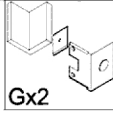
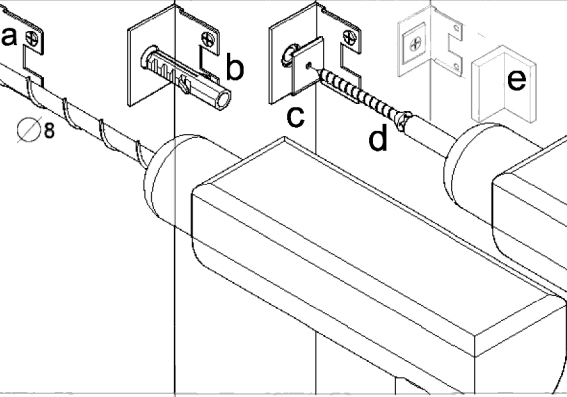
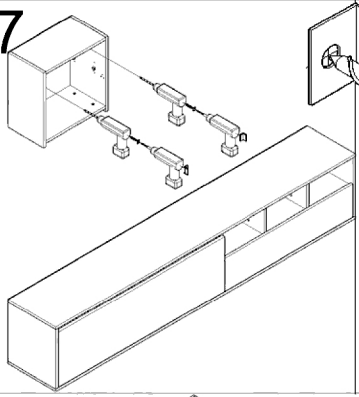
5



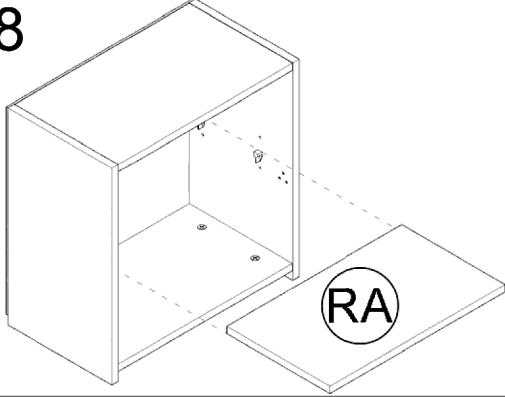
6



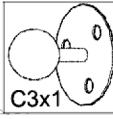
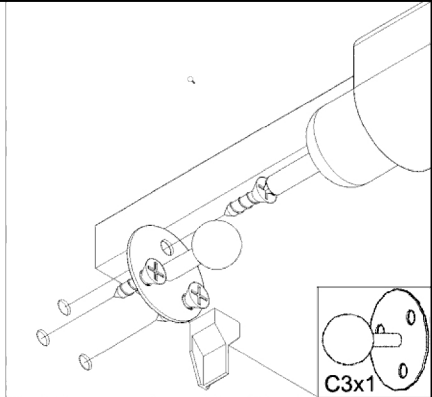
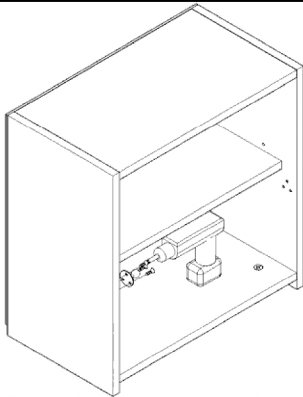
7



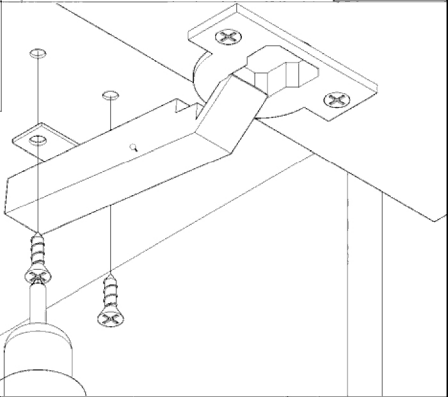
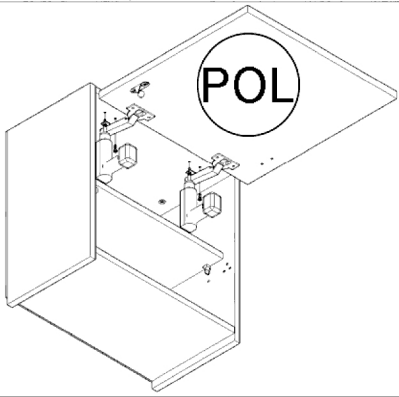
8



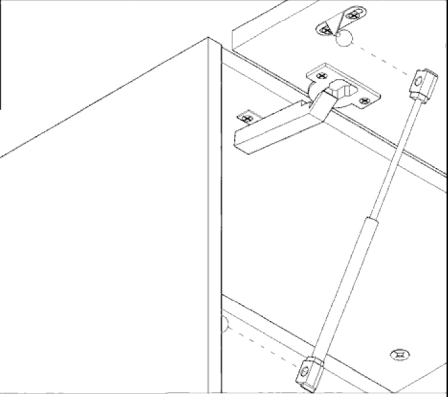
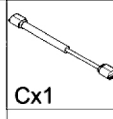
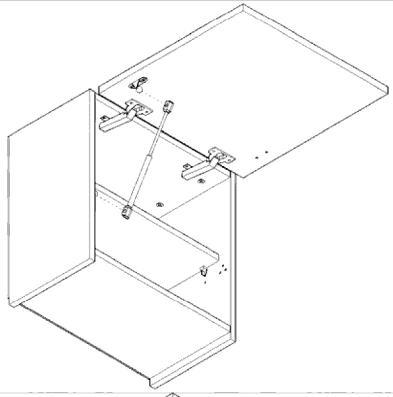
9



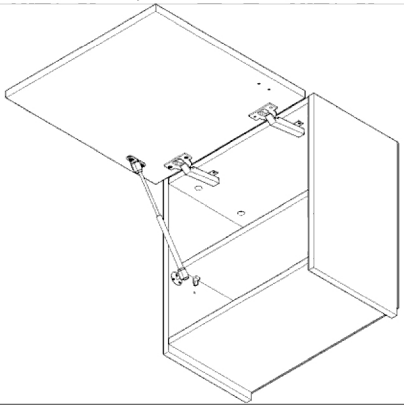
10



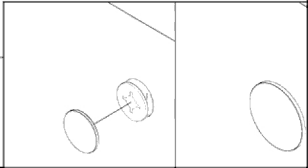
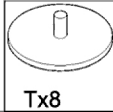
11



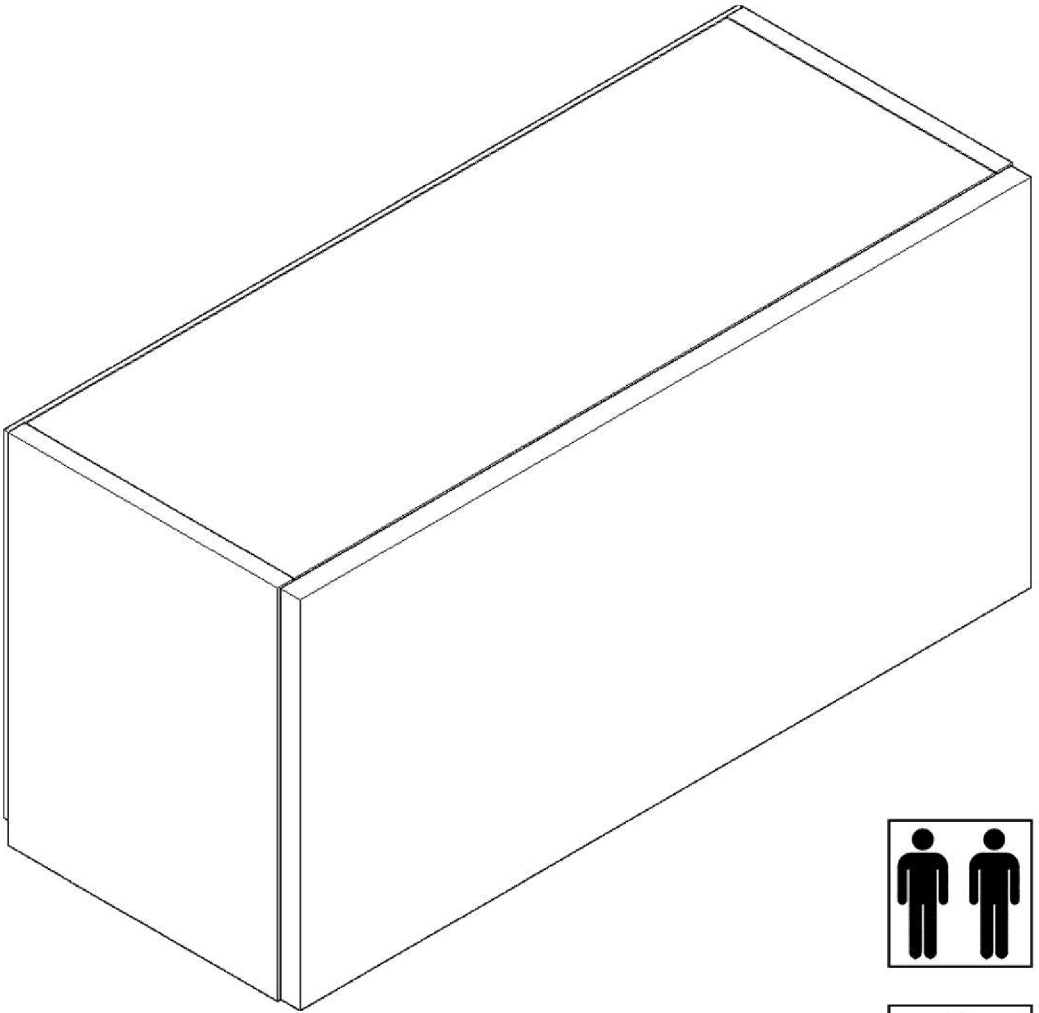
12



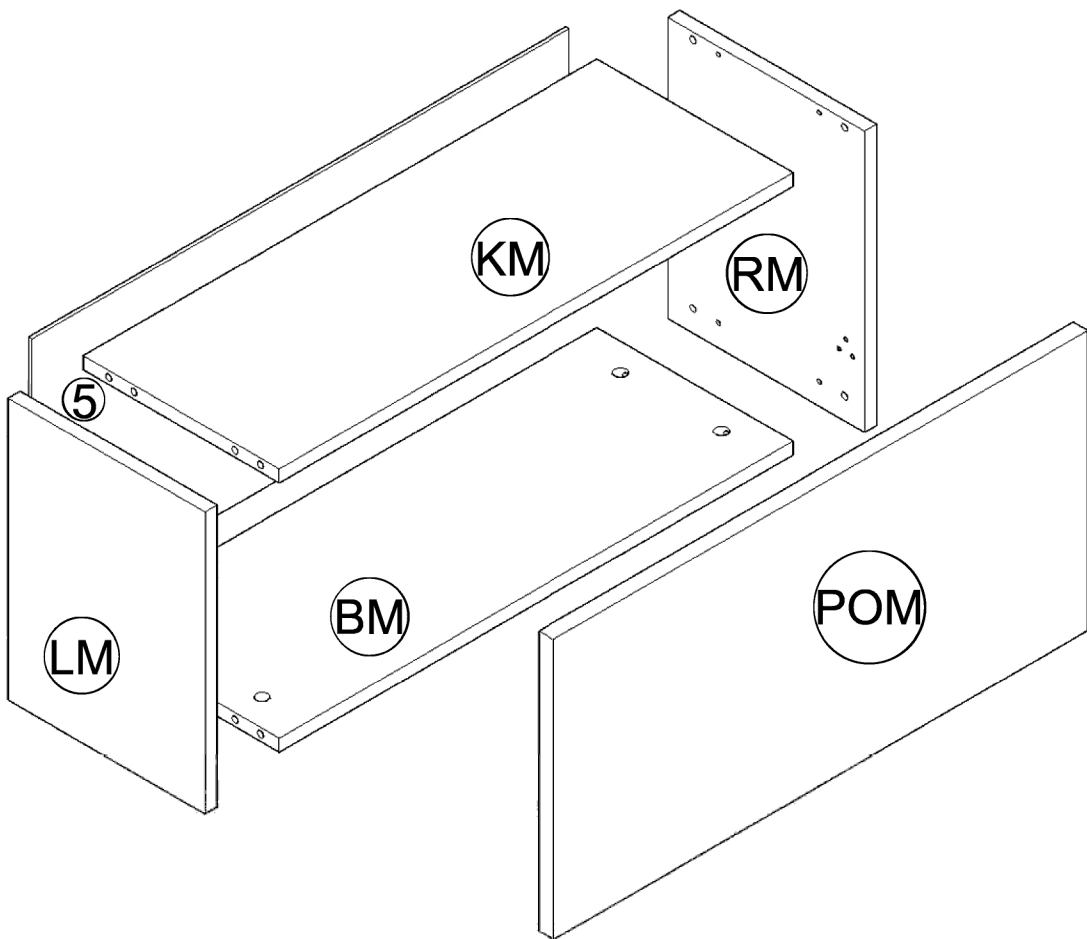
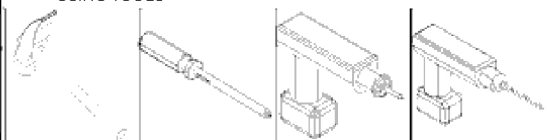
PLASTIC COVER CAPS



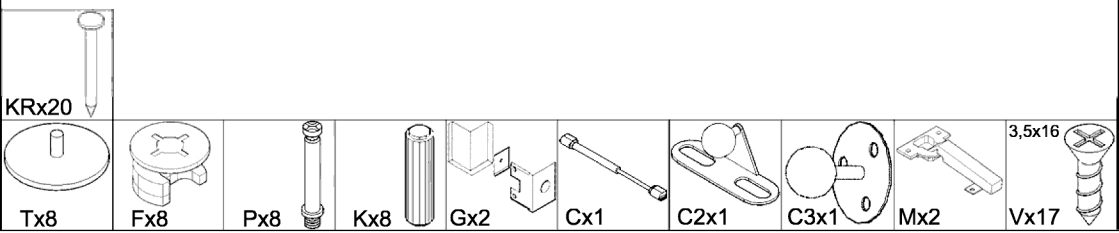
GRK 91 C



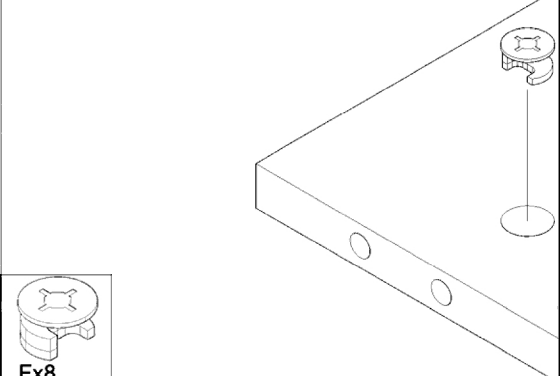
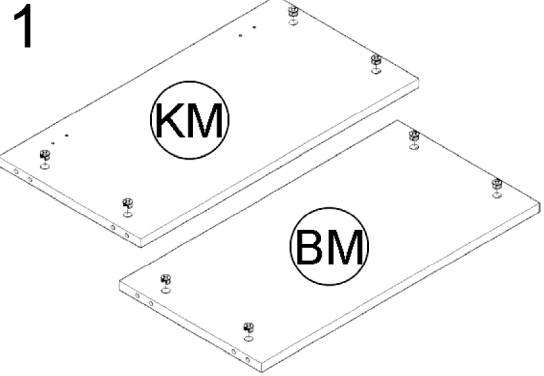
USING TOOLS



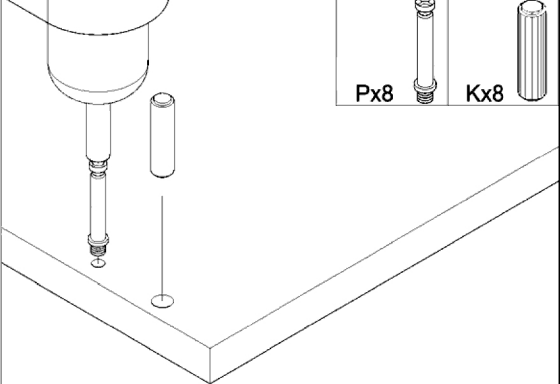
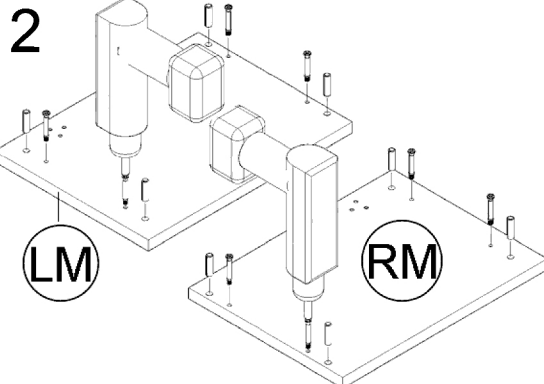
USING HARDWARE



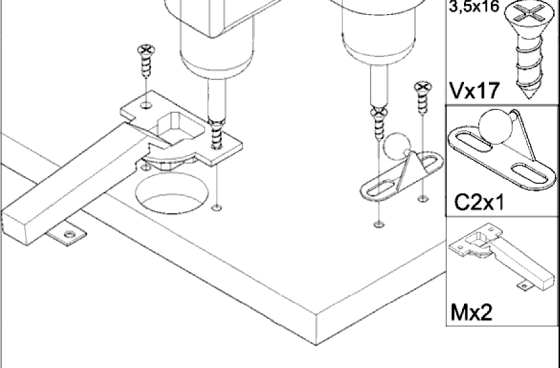
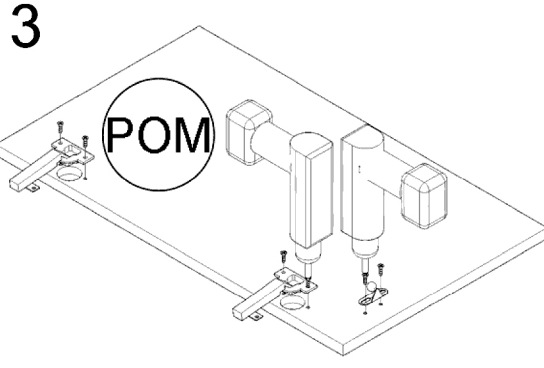
1



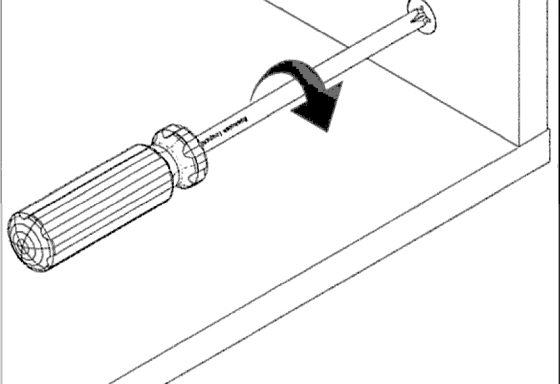
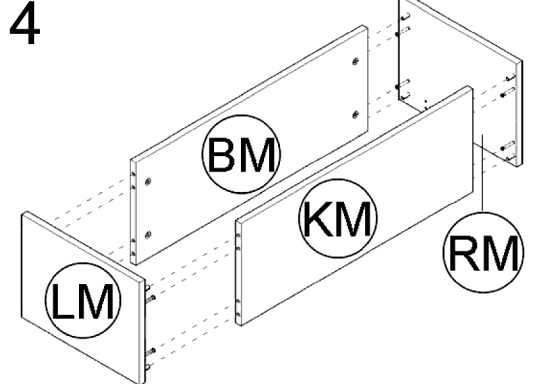
2



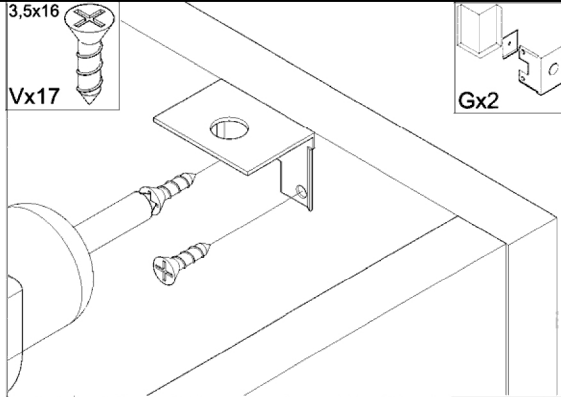
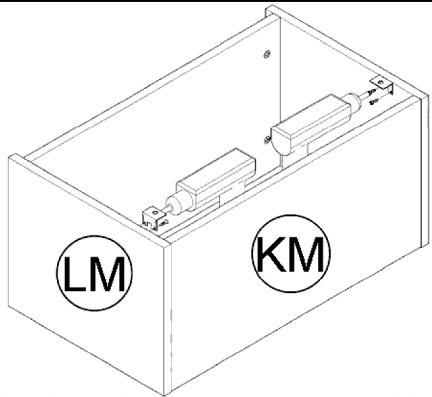
3



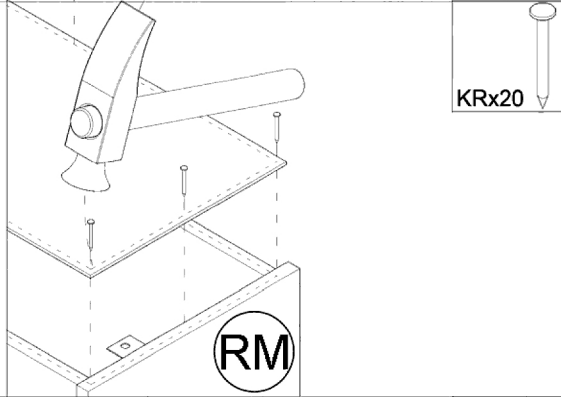
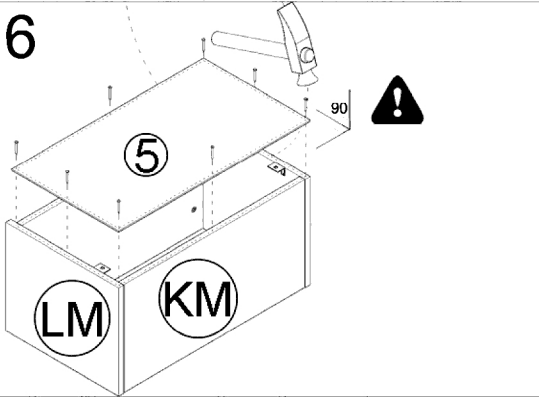
4



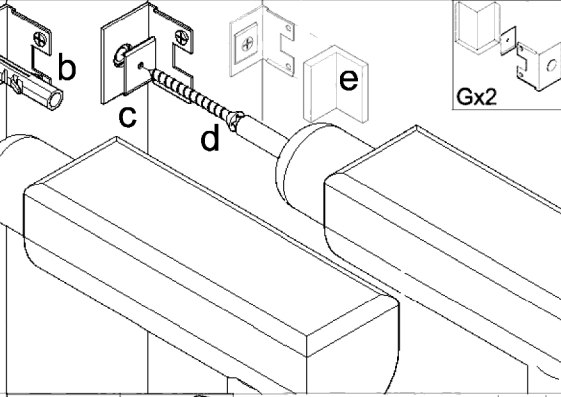
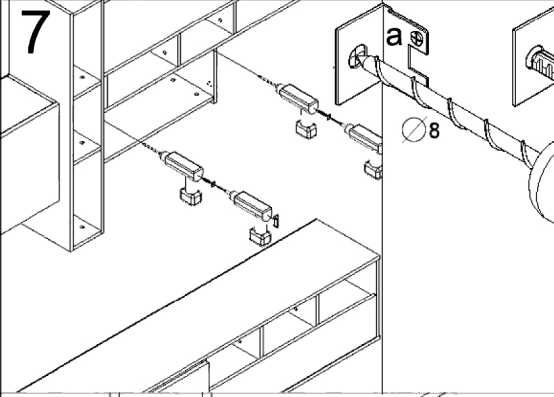
5



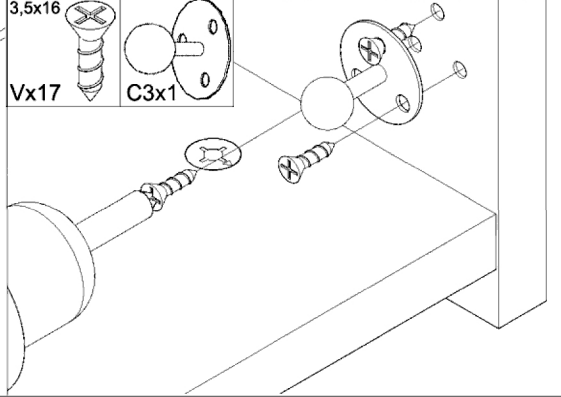
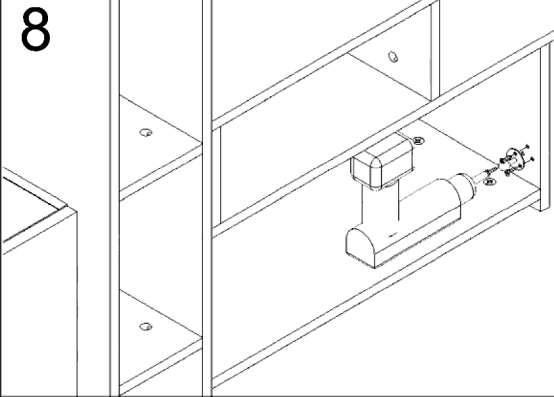
6



7



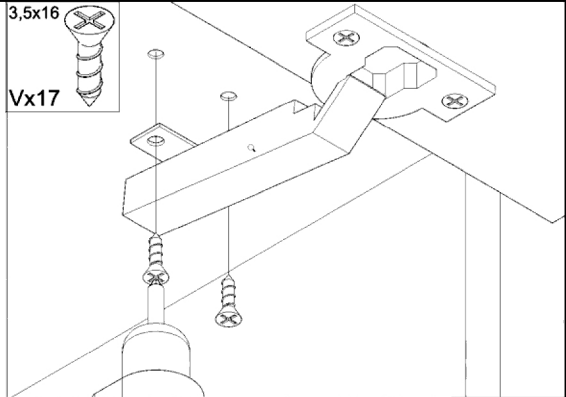
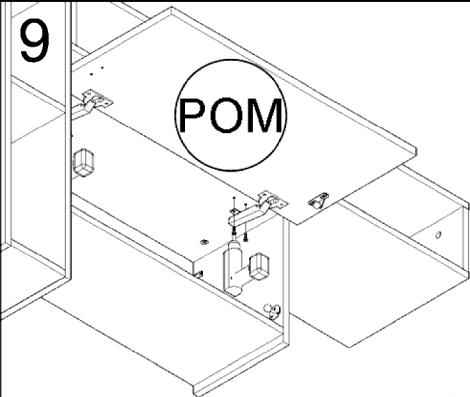
8



9

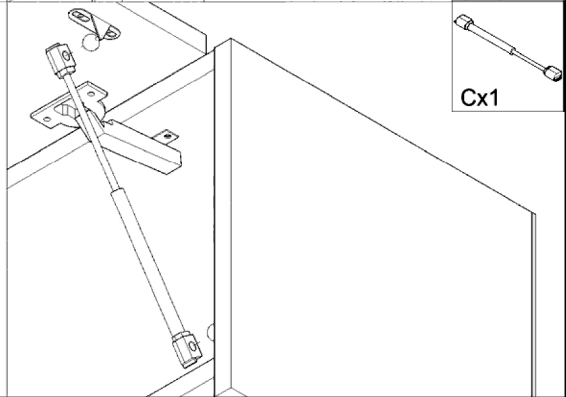
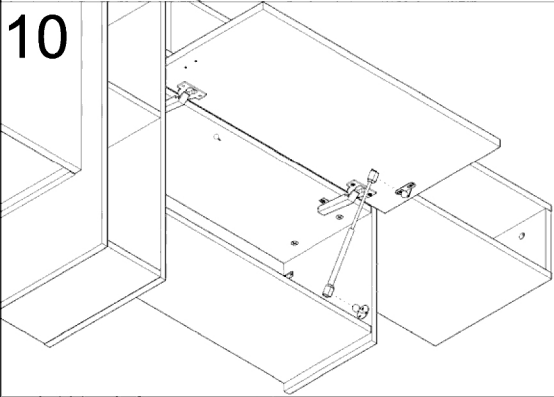
POM

3,5x16
Vx17



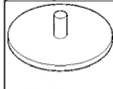
10

Cx1



11

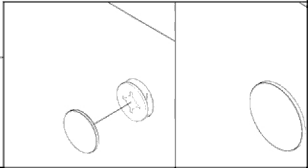
PLASTIC COVER CAPS



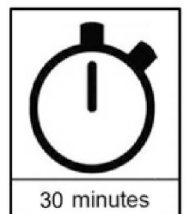
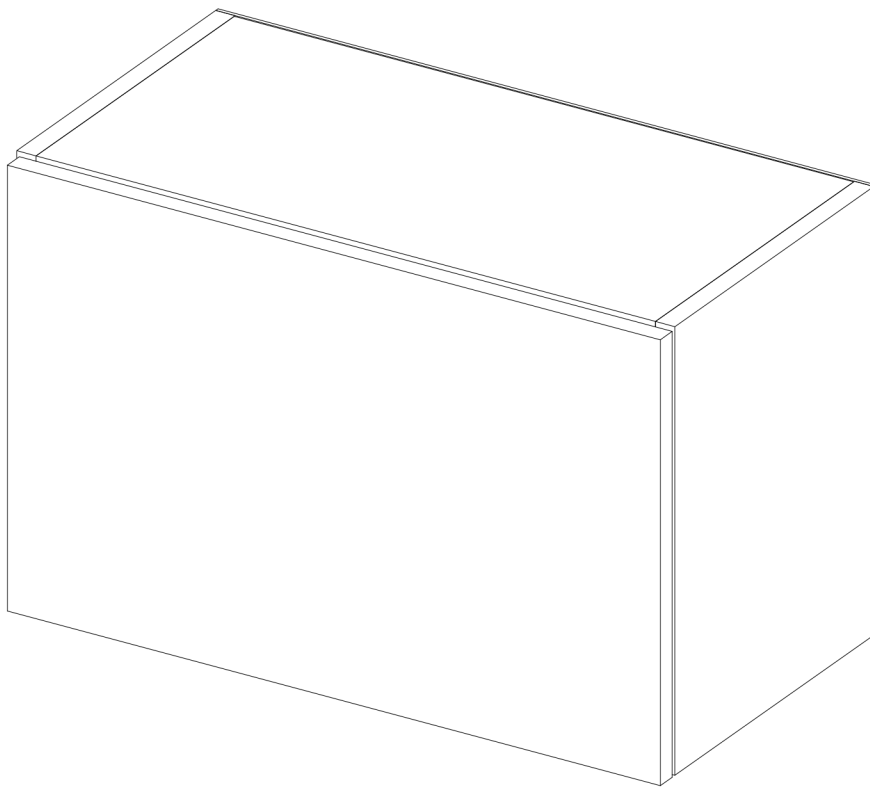
Tx8



Fx8

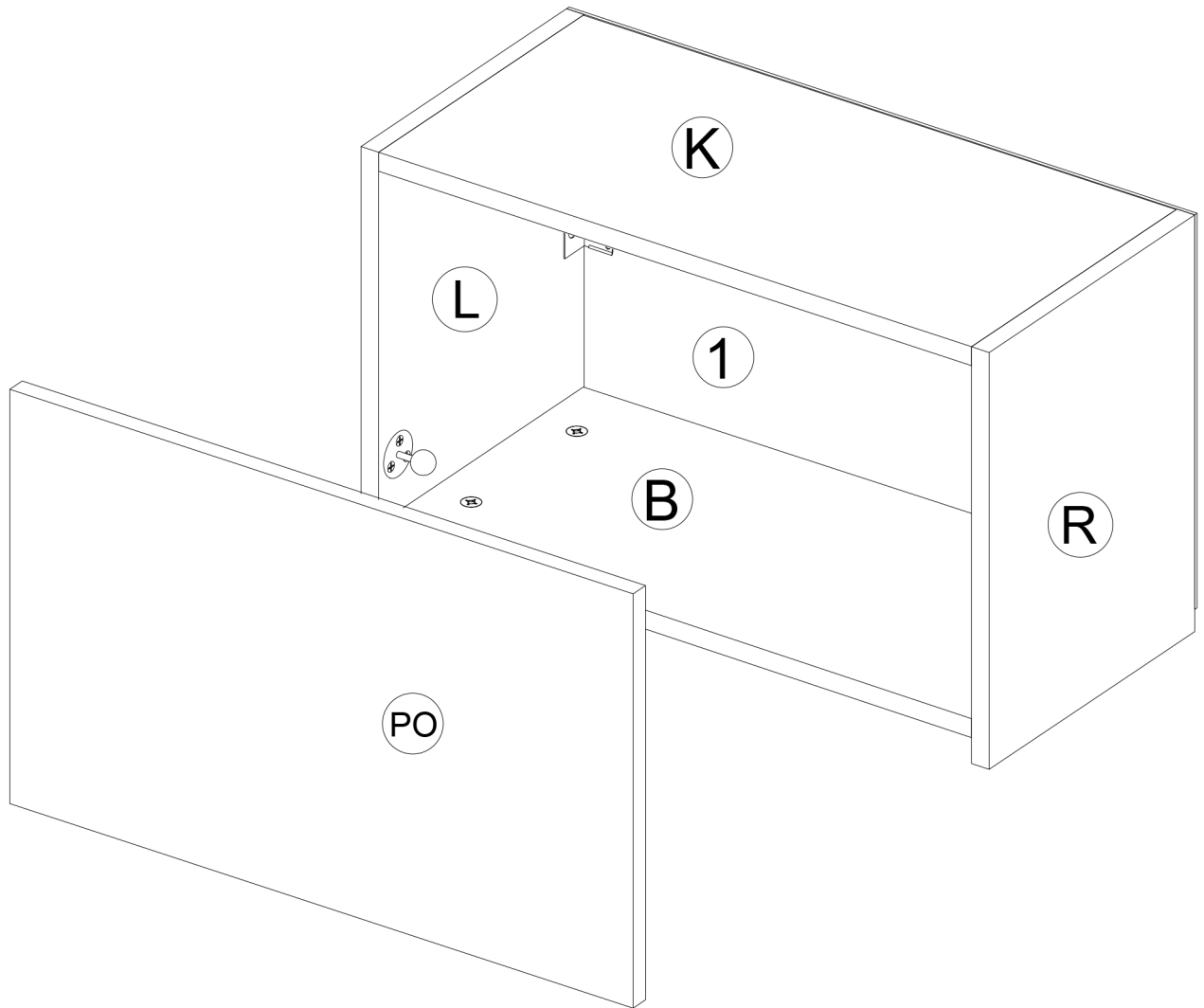
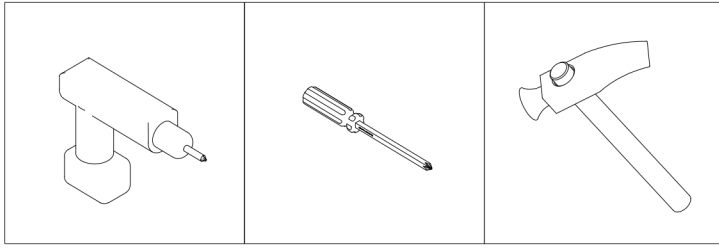


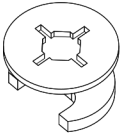
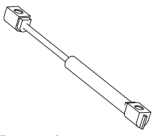
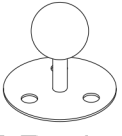
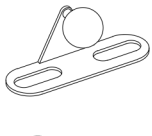
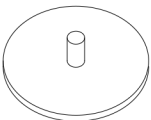

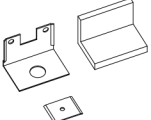
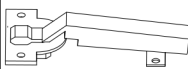



GRK 091D



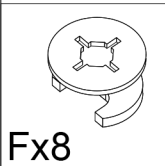
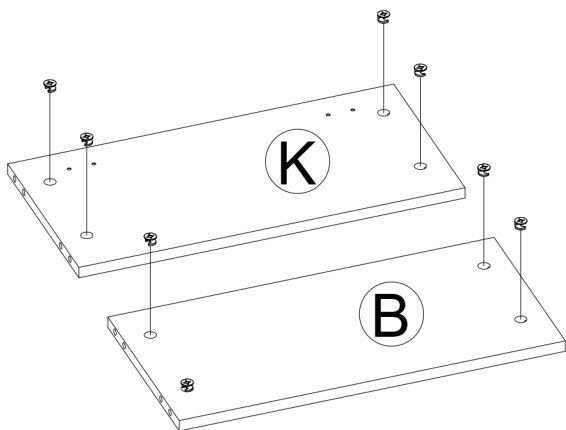
30 minutes

USING TOOLS



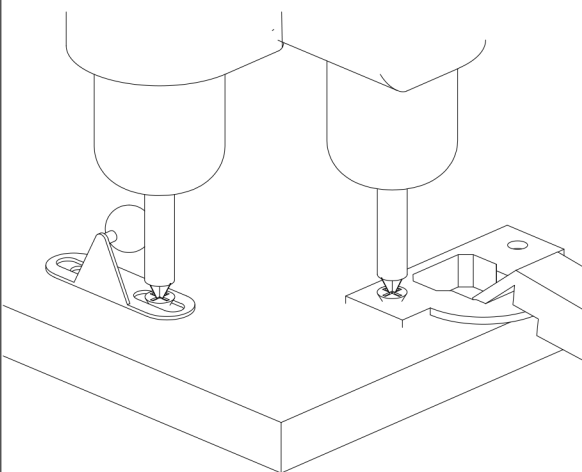
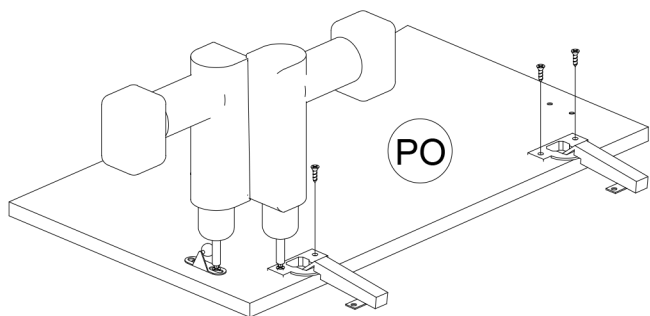
 Fx8	 Ax1	 ABx1	 ACx1			
 TX8	 PRx20	 Gx2	 Mx2	 Kx8	3.5x16  Vx17	 Px8

1

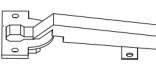


Fx8

2



ACx1



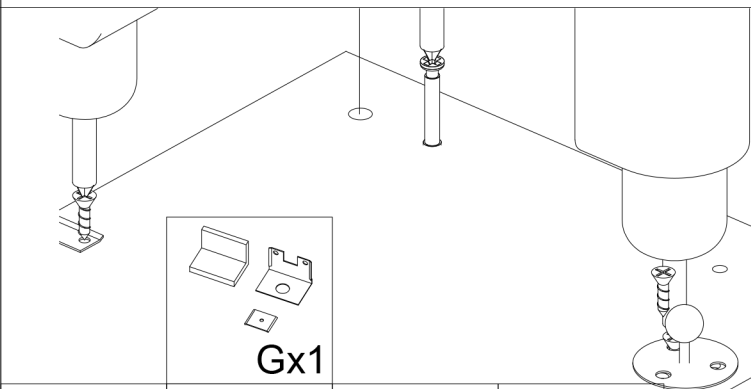
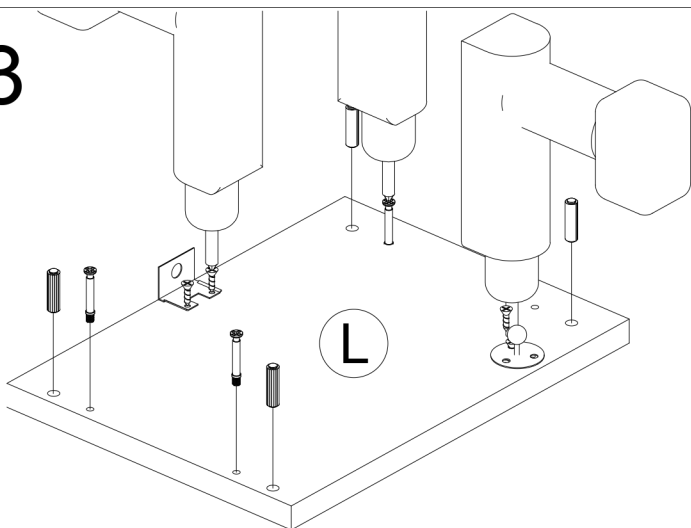
Mx2

3.5x16

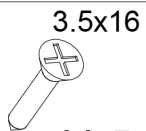


Vx6

3



Gx1



3.5x16

Vx5



PX4

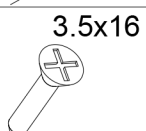
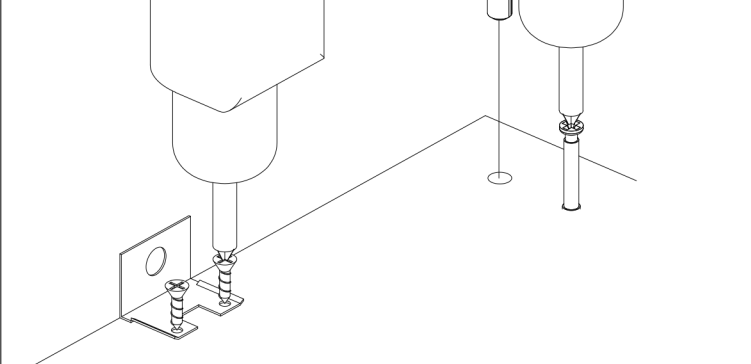
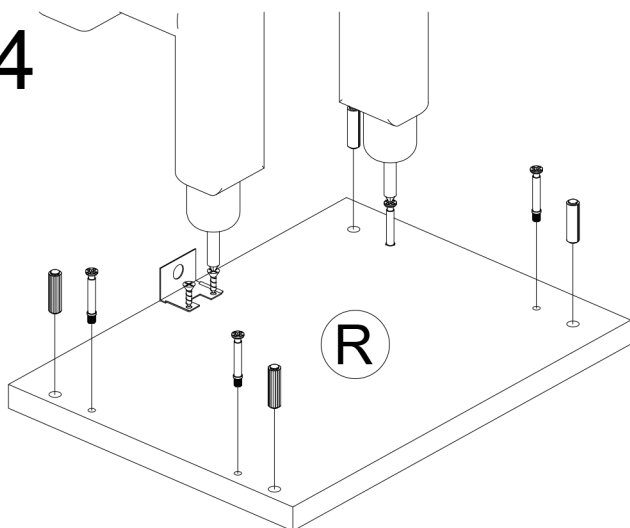


Kx4



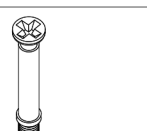
ABx1

4



3.5x16

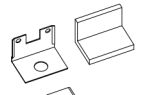
Vx2



PX4

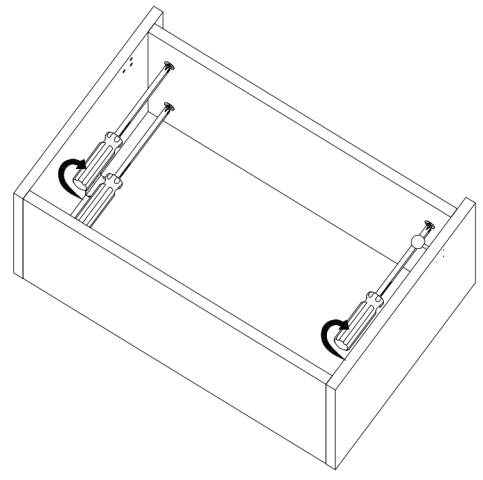
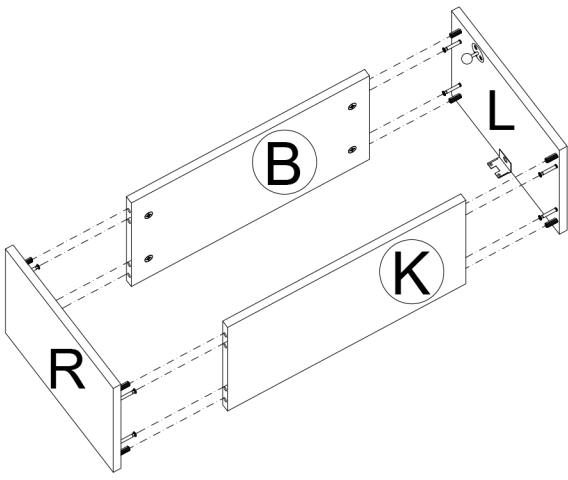


Kx4

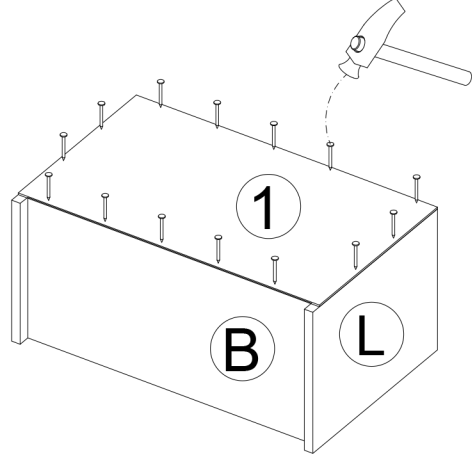
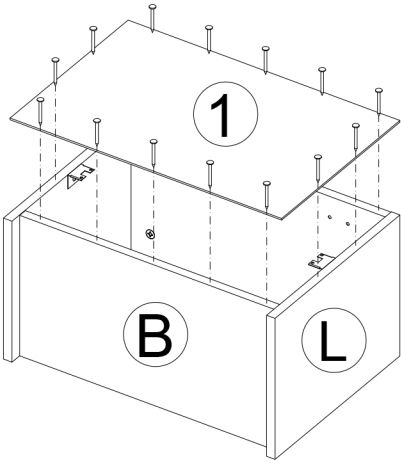


Gx1

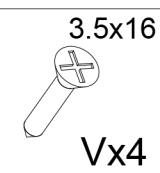
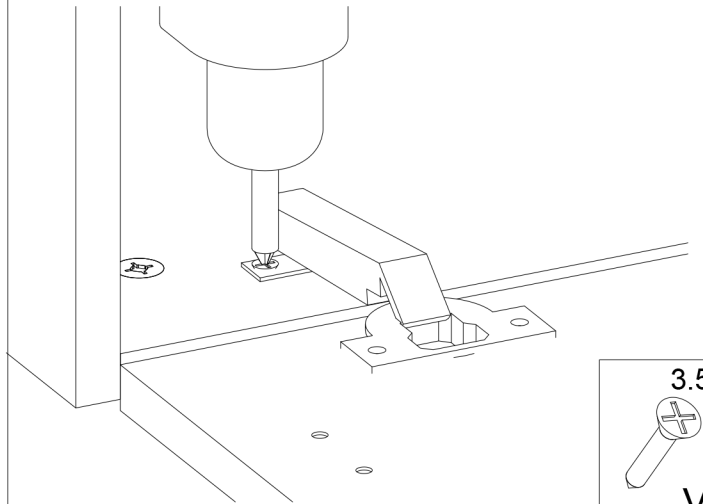
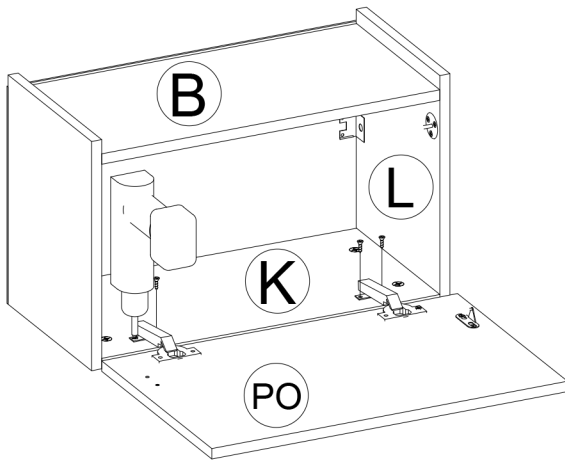
5



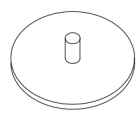
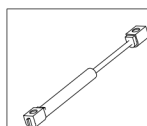
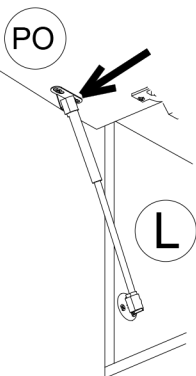
6



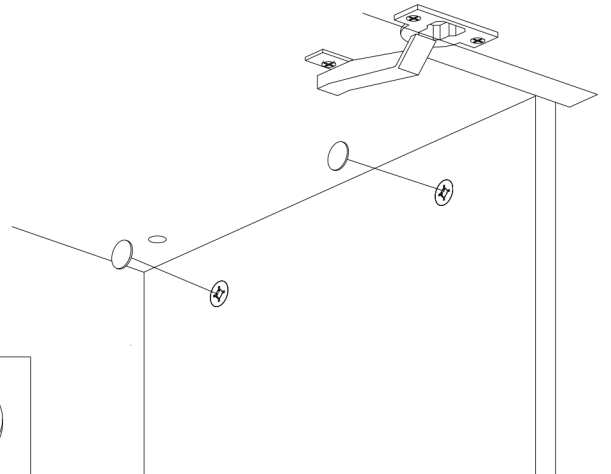
7



8

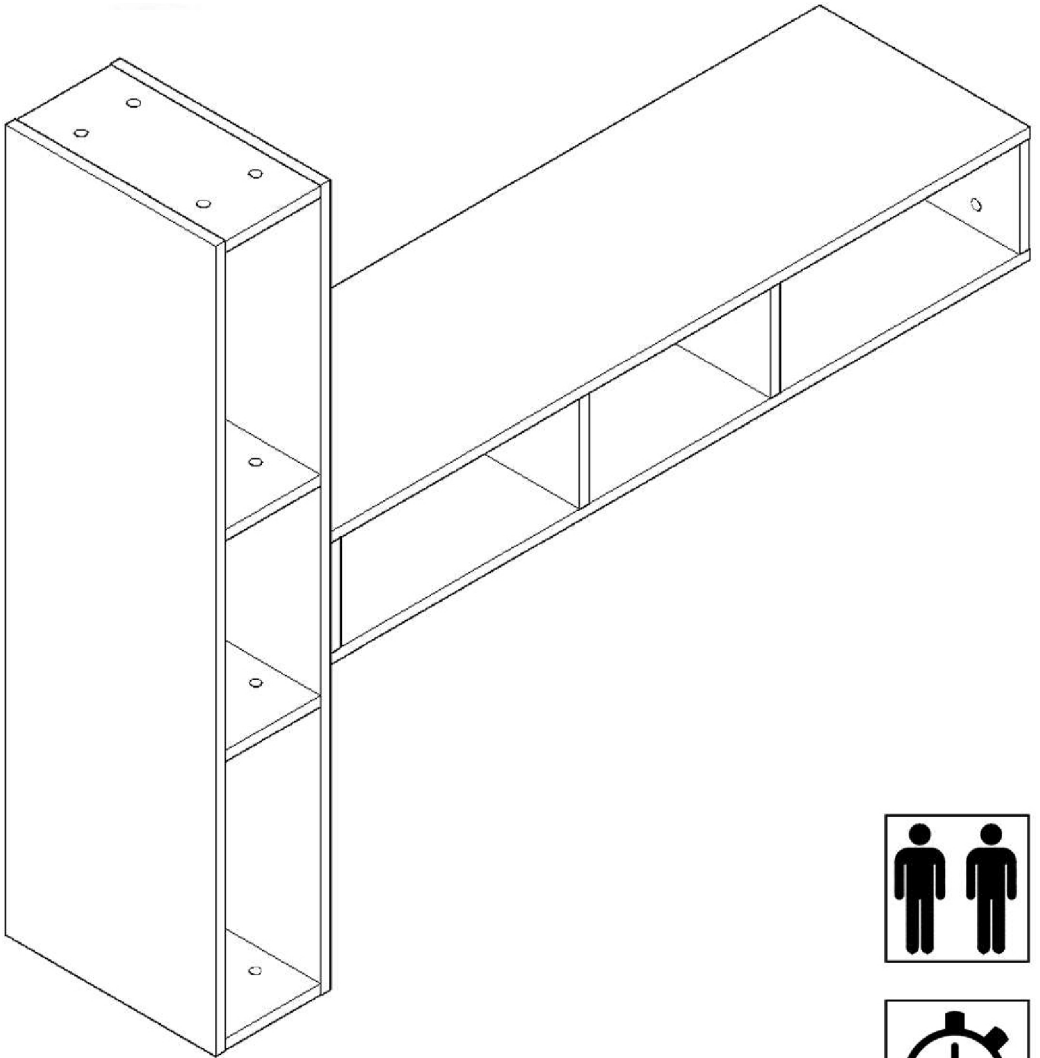


9

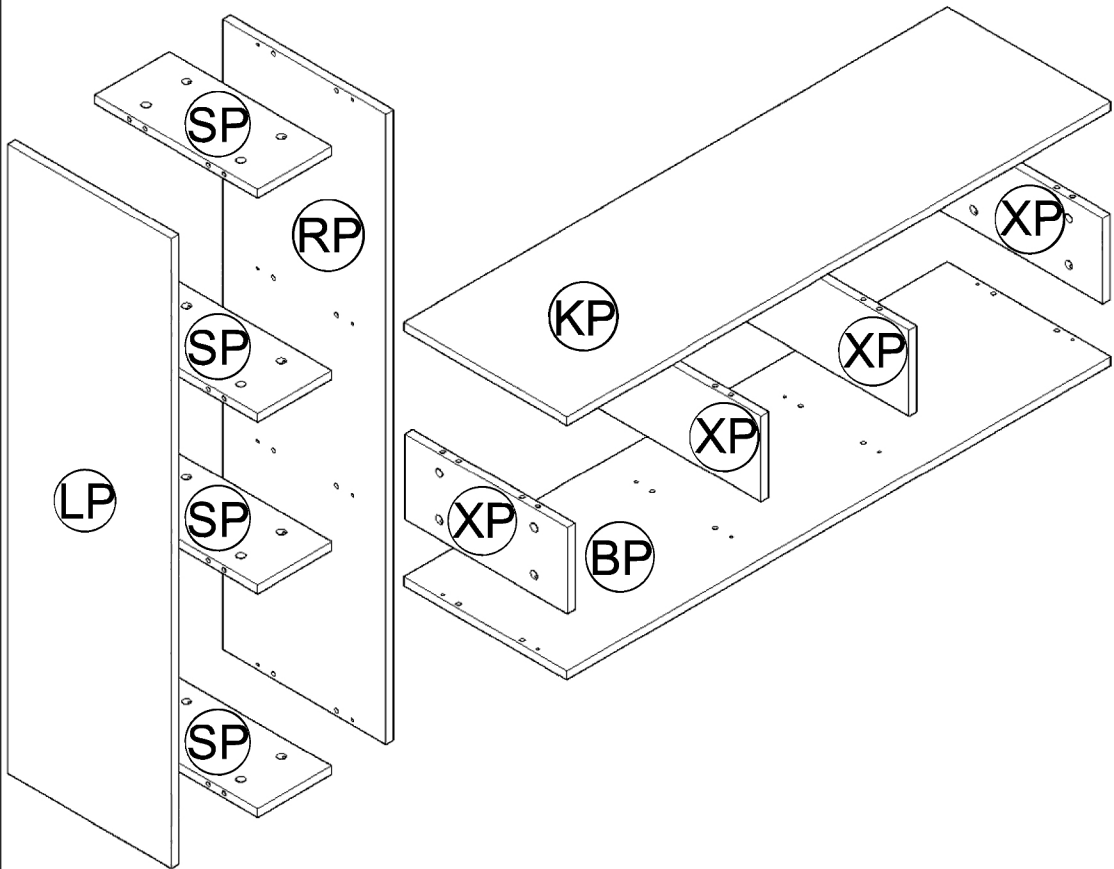
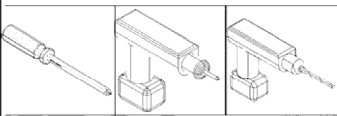


cover all holes

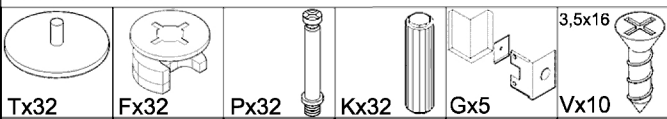
GRK 91 E



USING TOOLS



USING HARDWARE



Tx32

Fx32

Px32

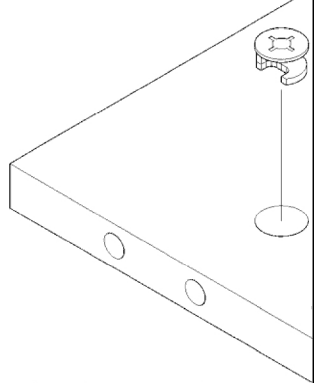
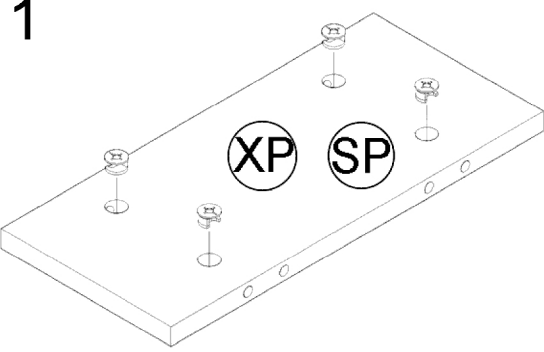
Kx32

Gx5

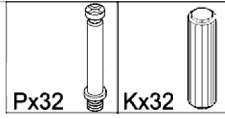
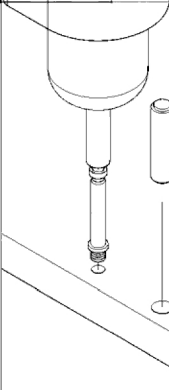
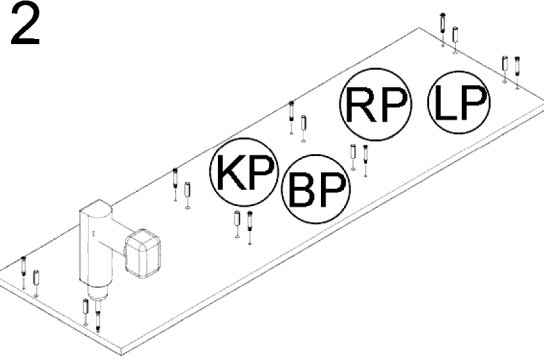
Vx10

3,5x16

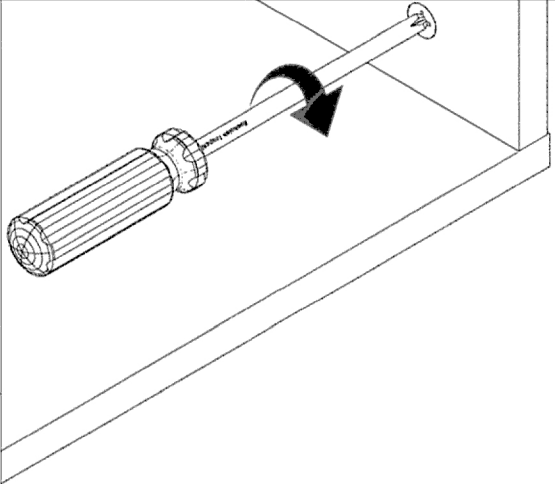
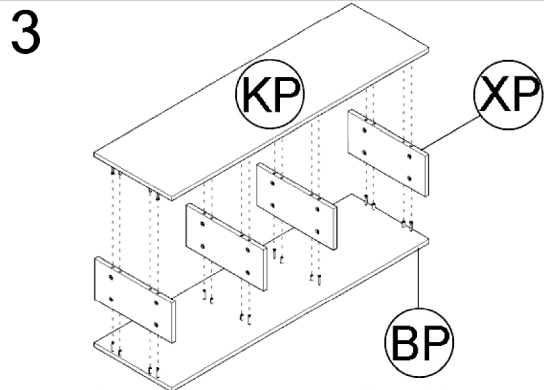
1



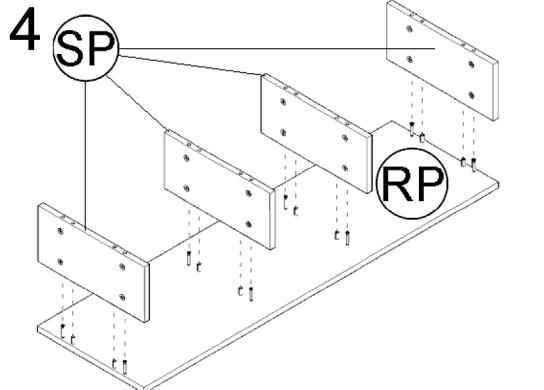
2

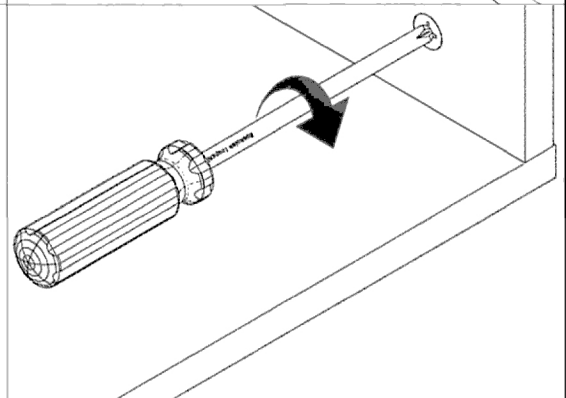
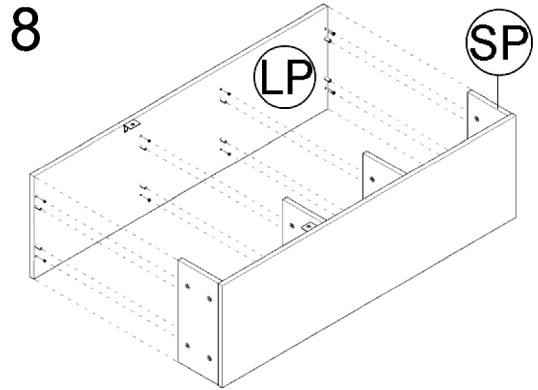
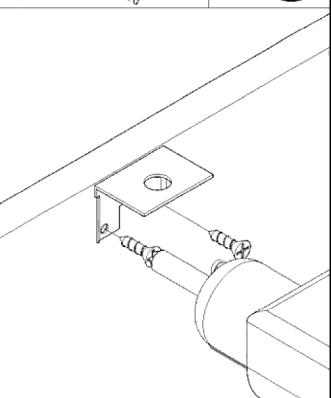
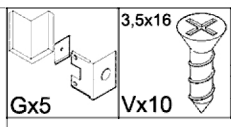
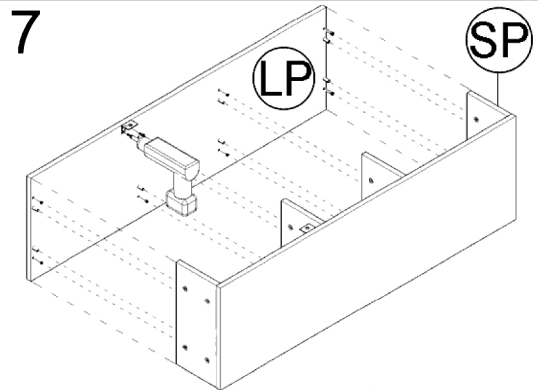
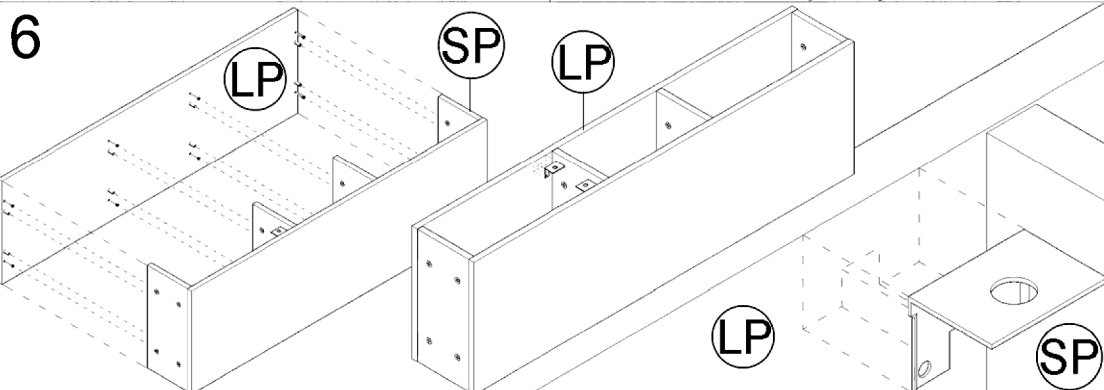
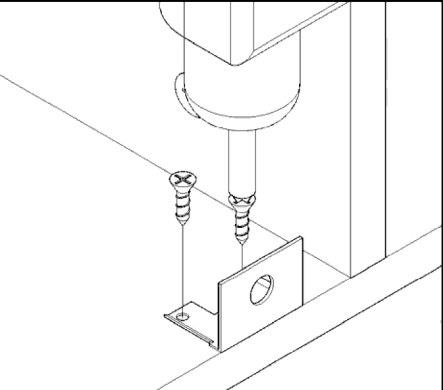
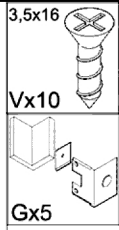
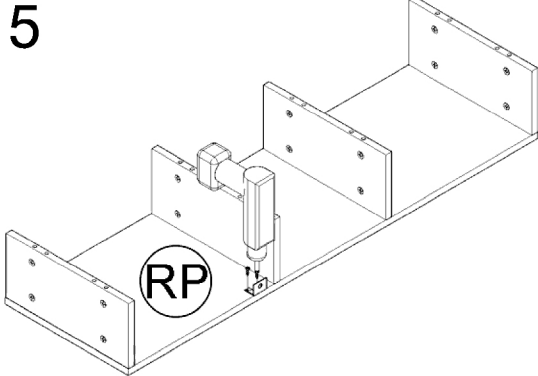


3

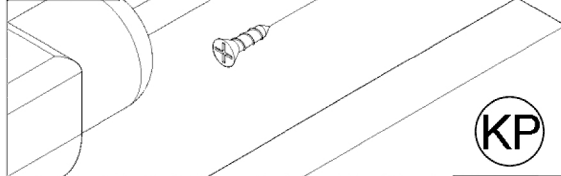
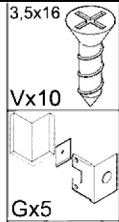
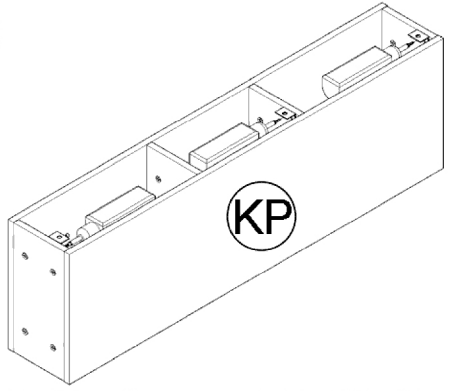


4

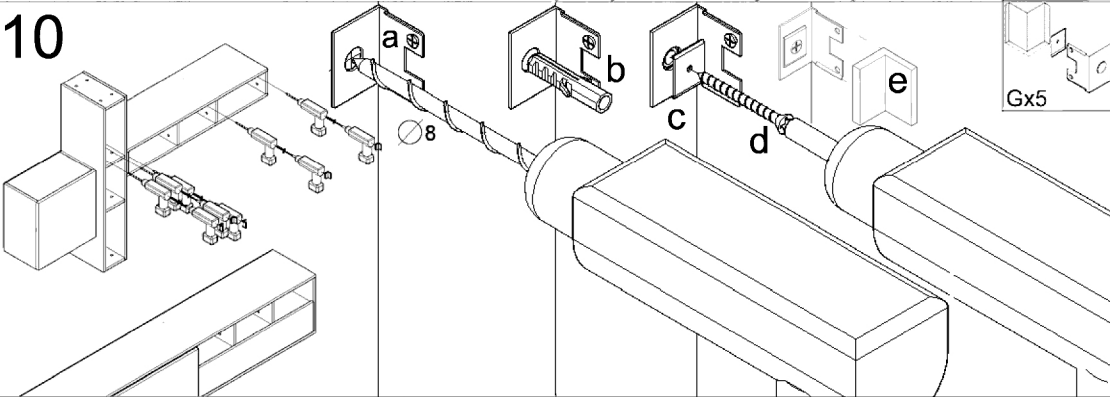




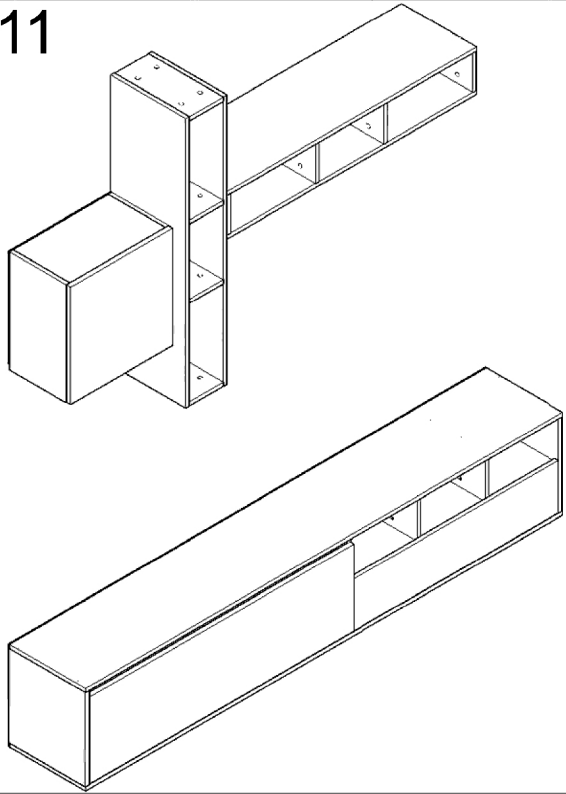
9



10



11



PLASTIC COVER CAPS

