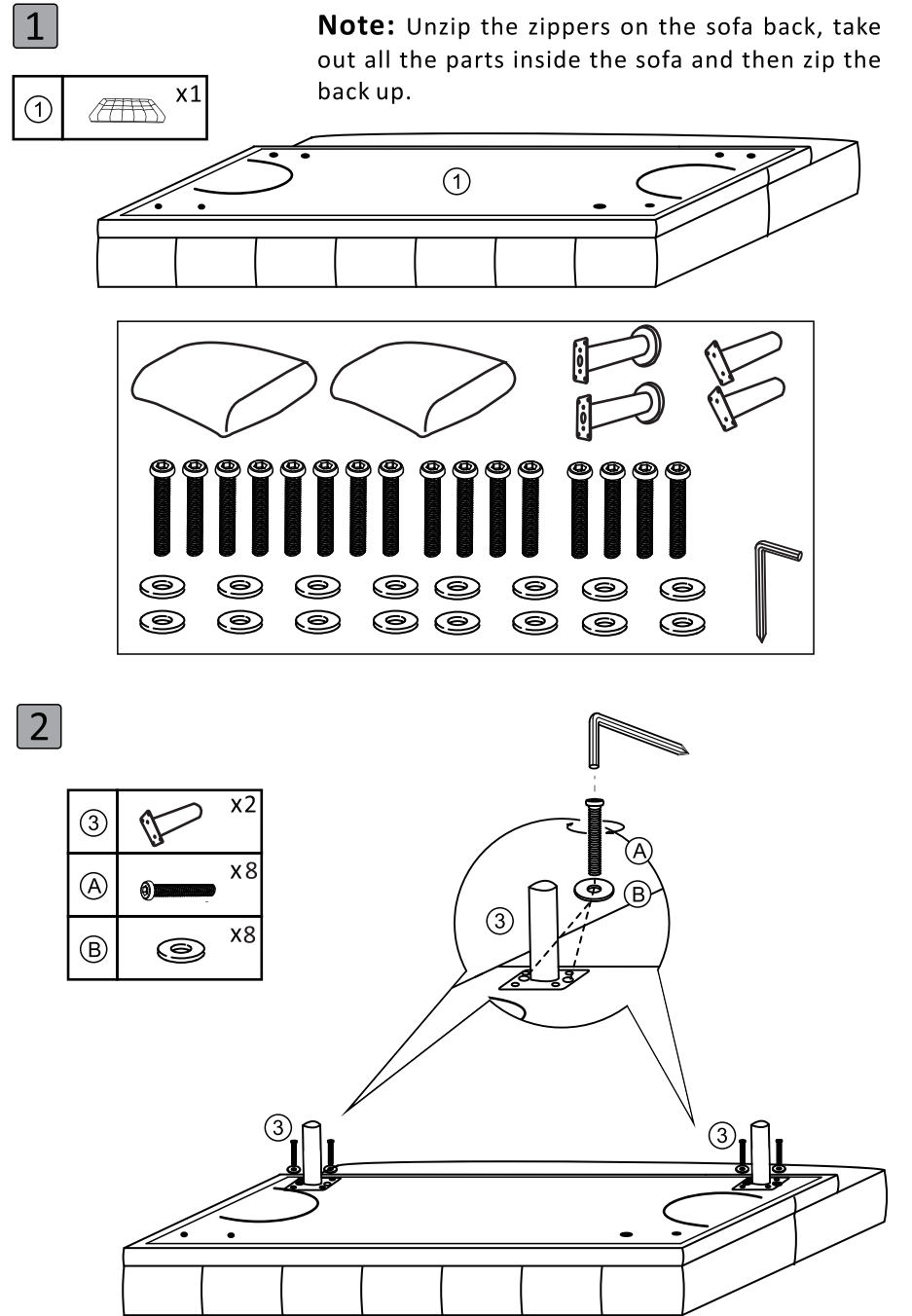
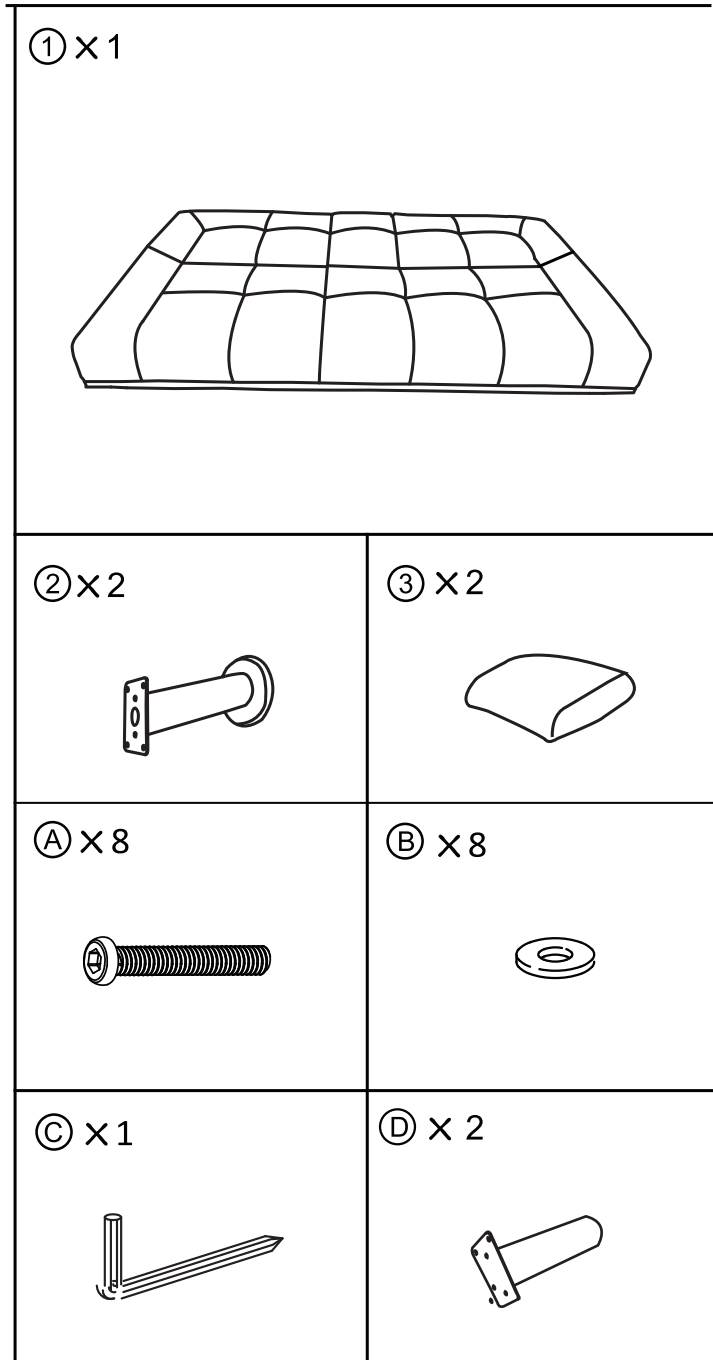





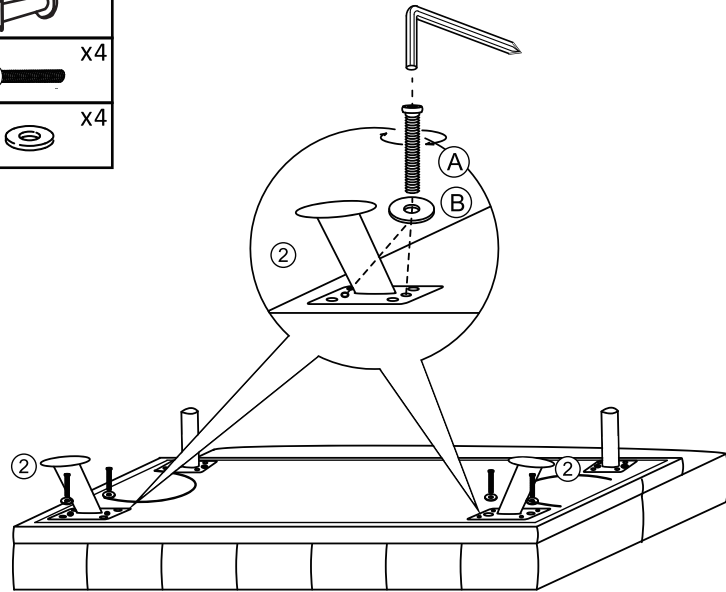
INSTRUCTION MANUAL

**Converting Futon Sofa
With Cup Holders**



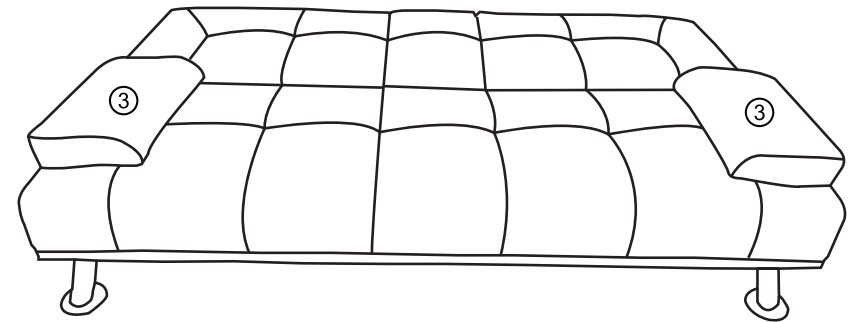
3

②		x2
(A)		x4
(B)		x4

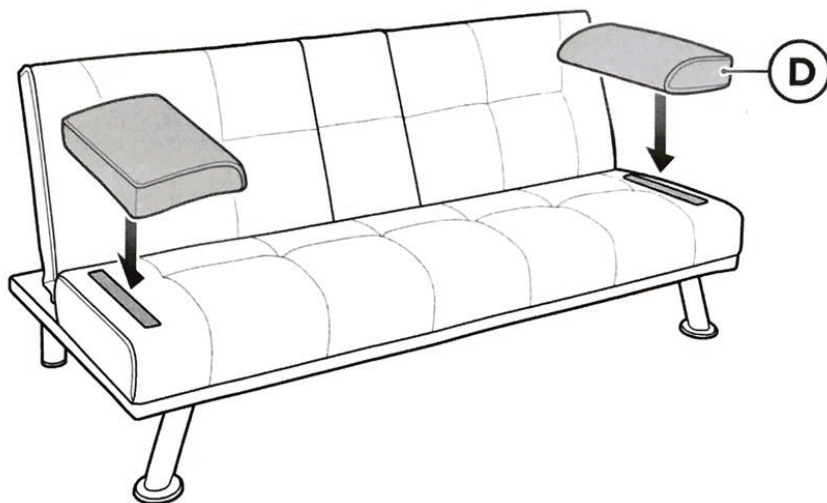


5

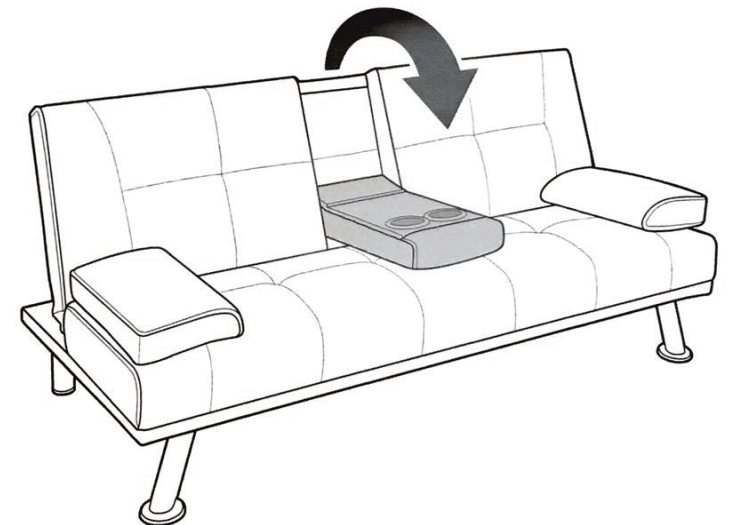
③		x2
---	---	----



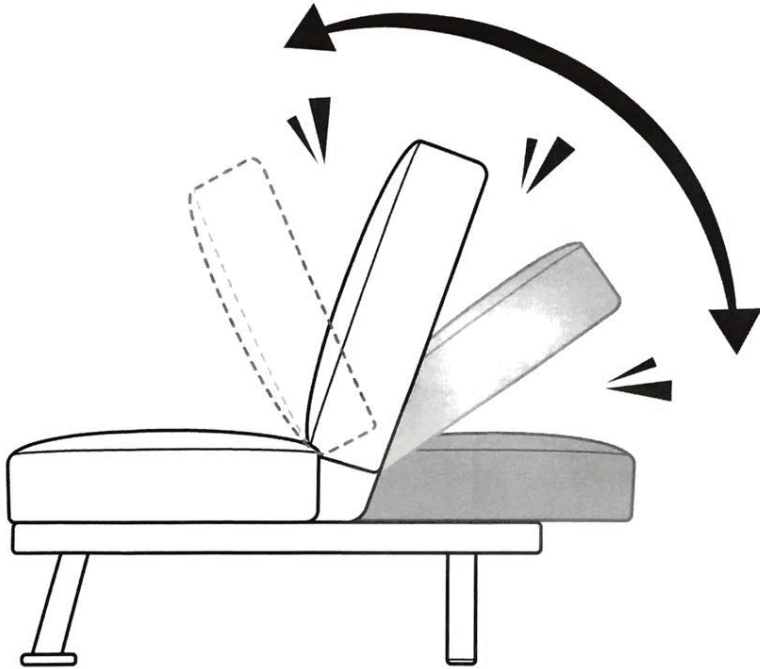
4



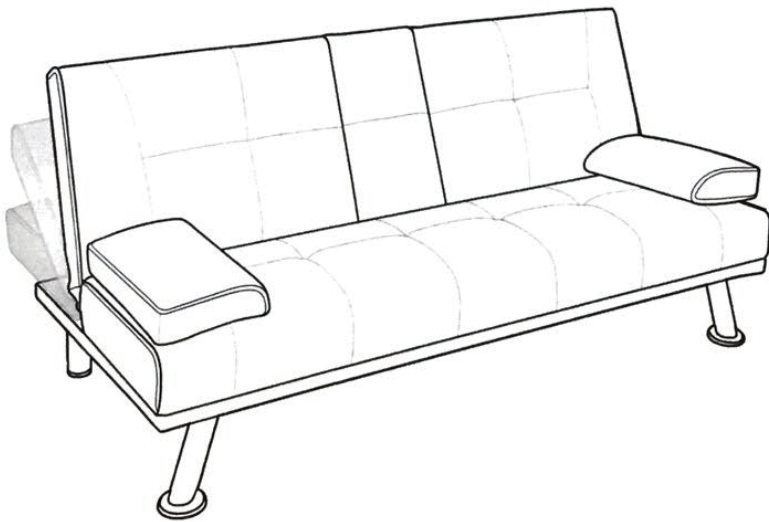
6



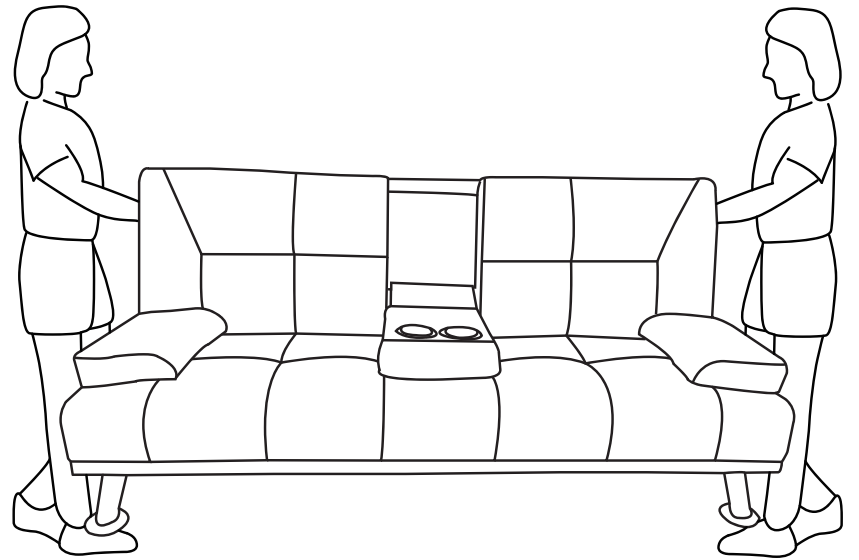
7



8



9





Hardware & parts
are located in
the compartment
underneath the sofa.

Make sure to
remove all items
before assembly.