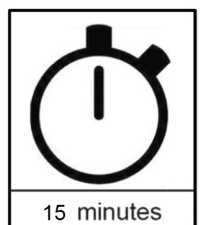
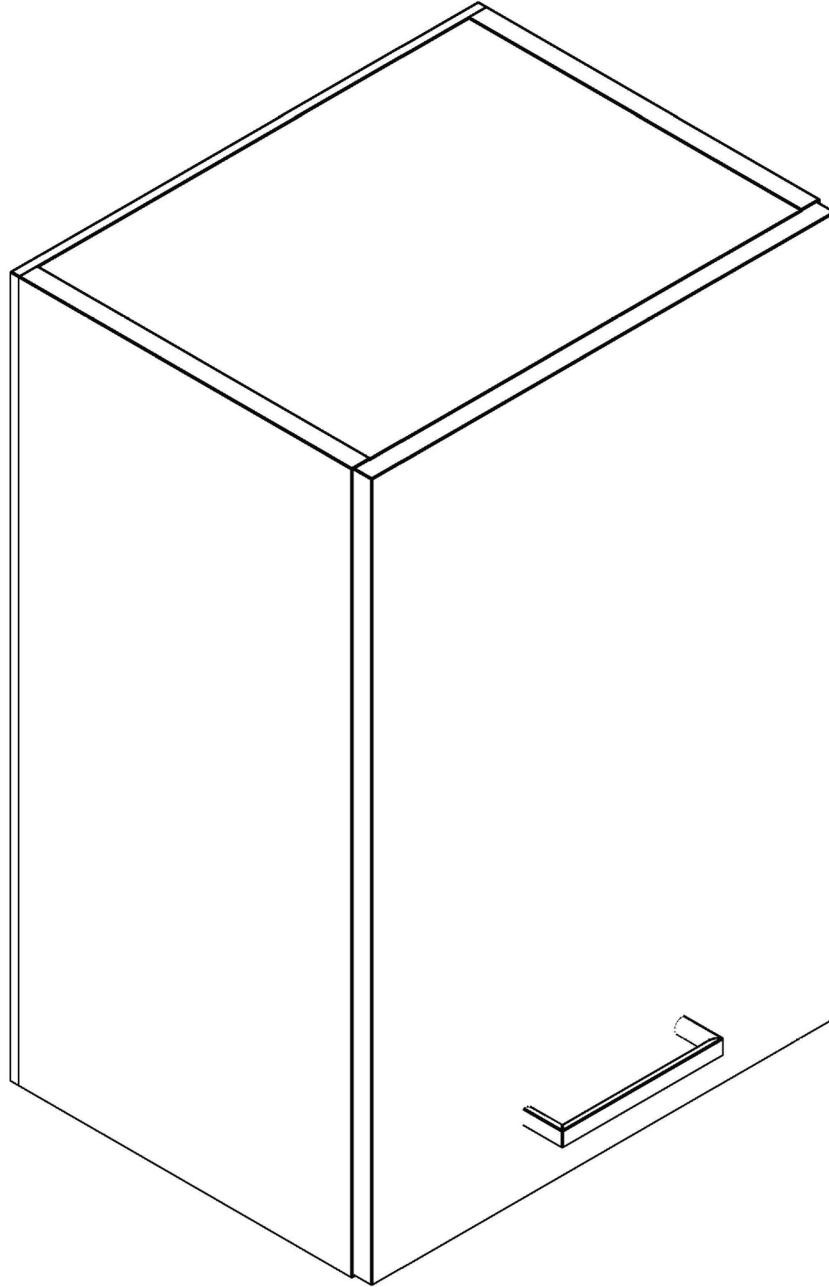
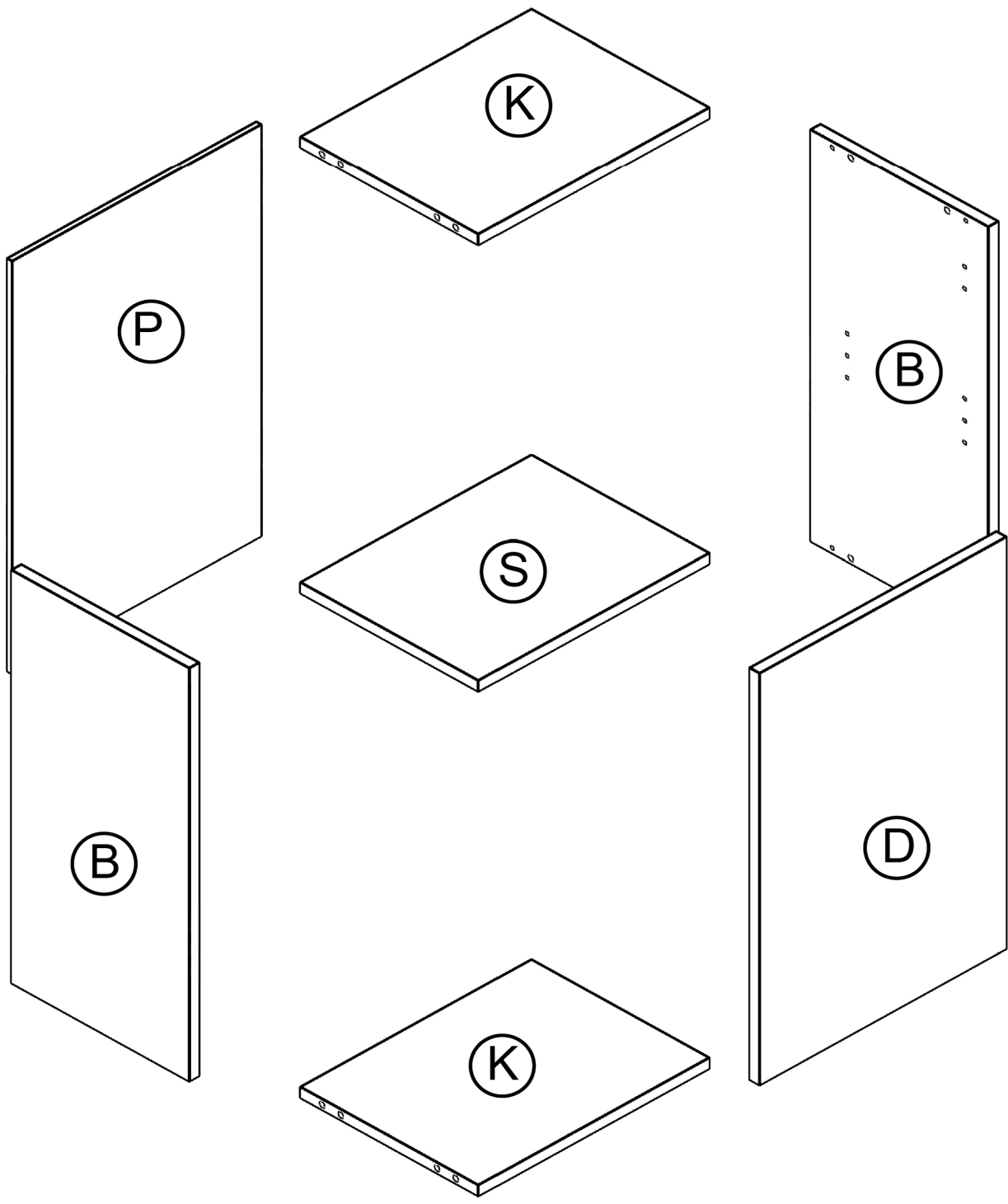
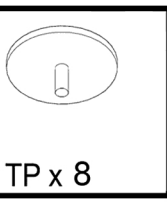
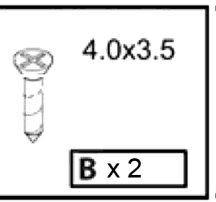
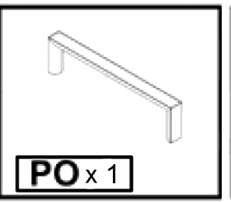
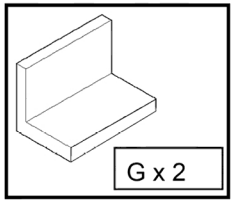
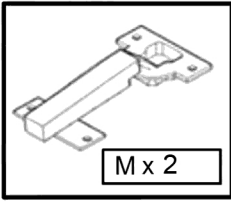
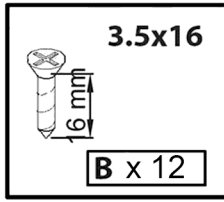
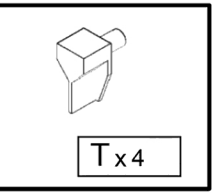
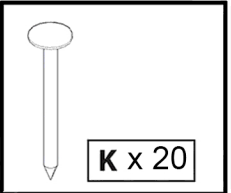
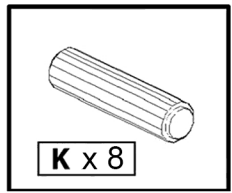
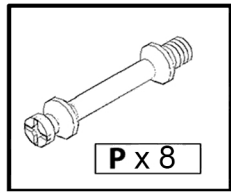
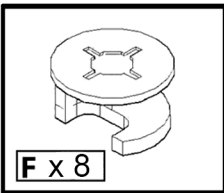
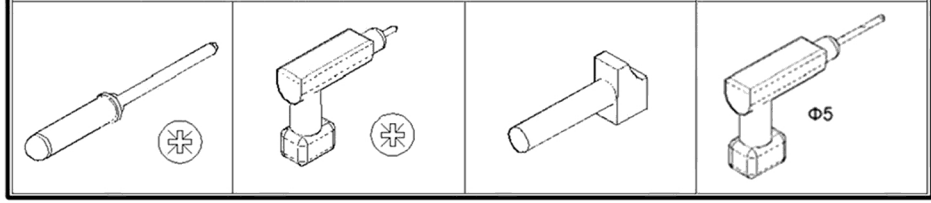


# POL 600C

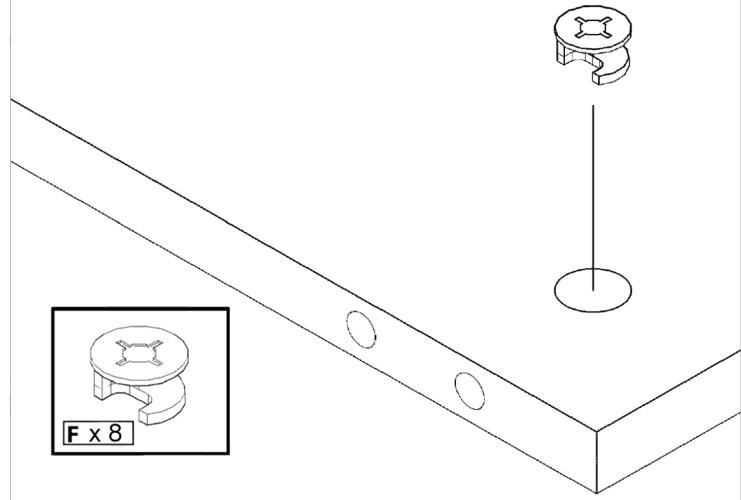
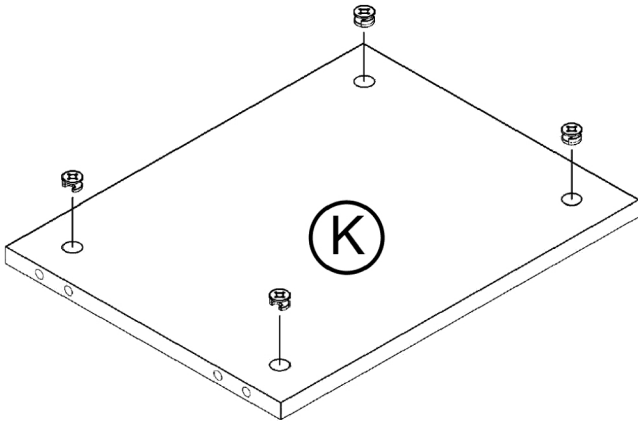




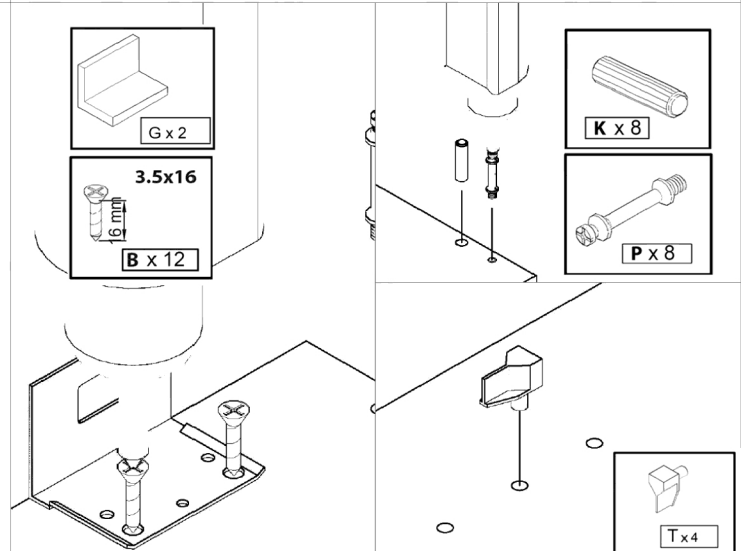
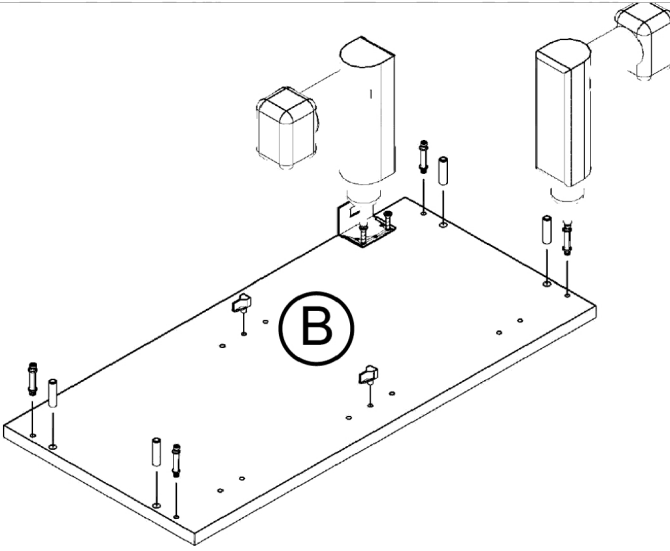
USING TOOLS



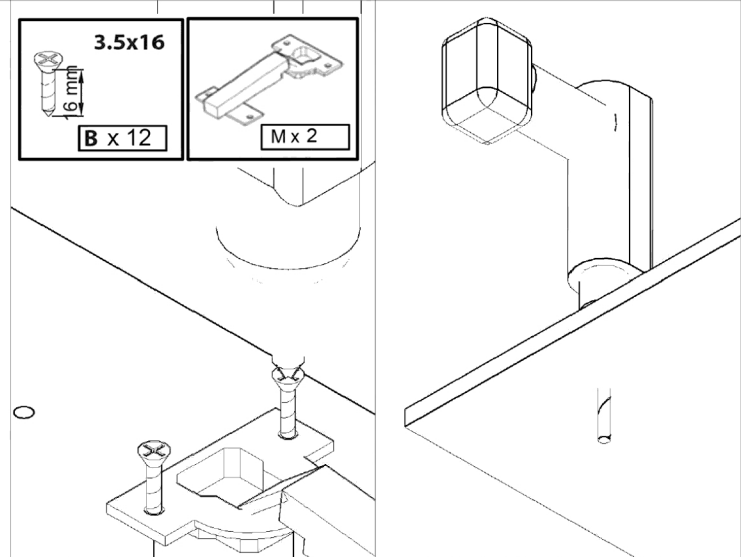
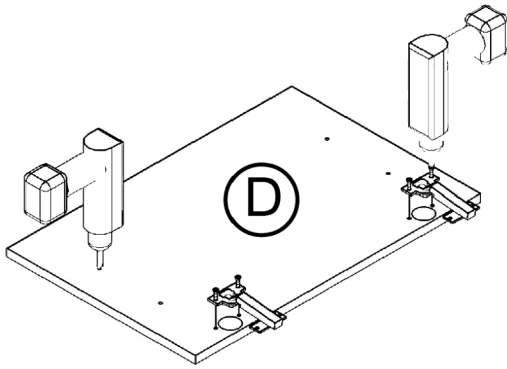
1



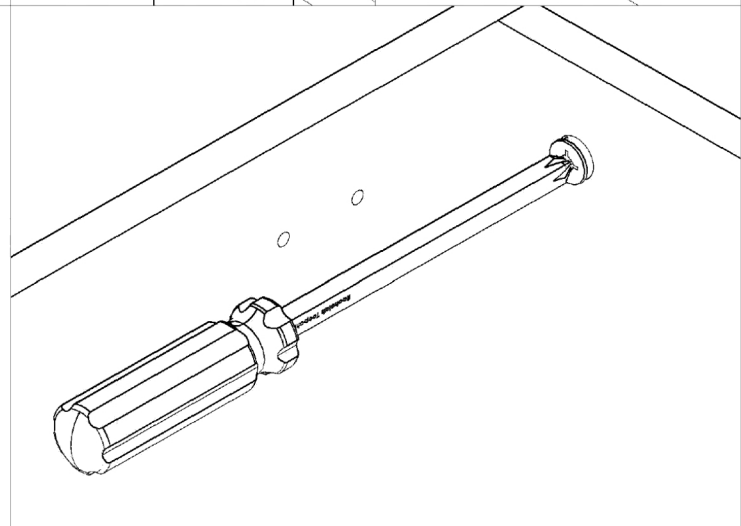
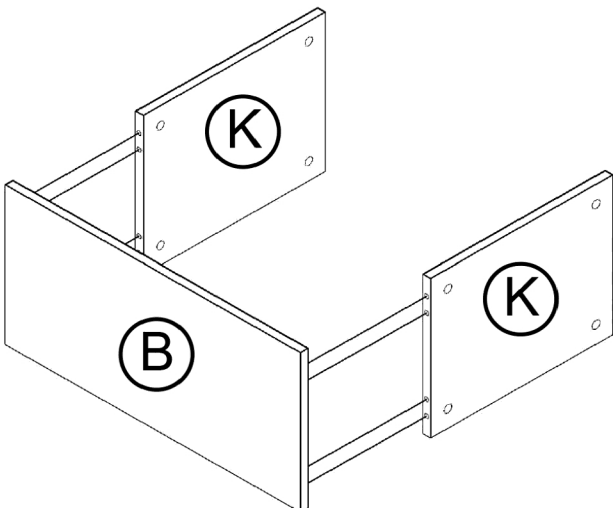
2



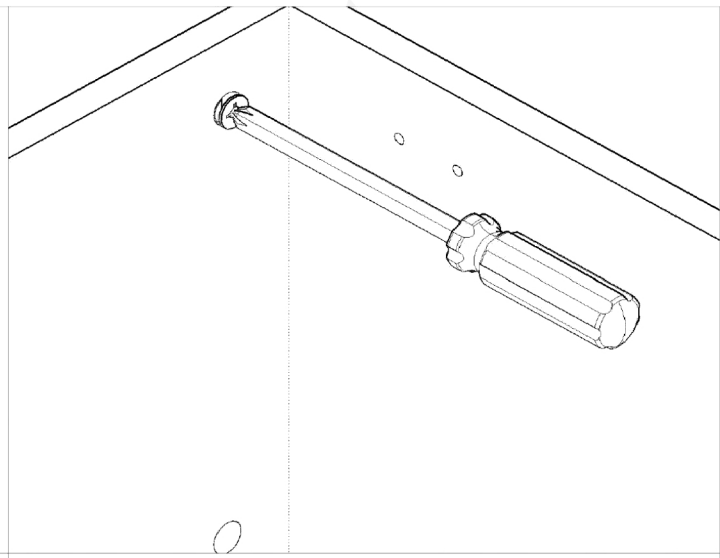
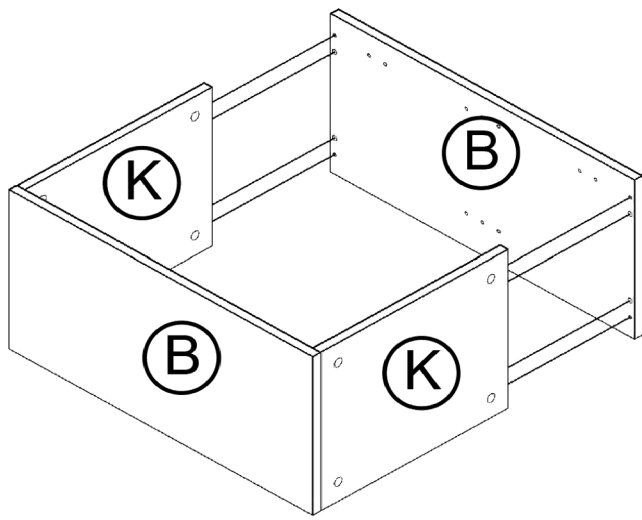
3



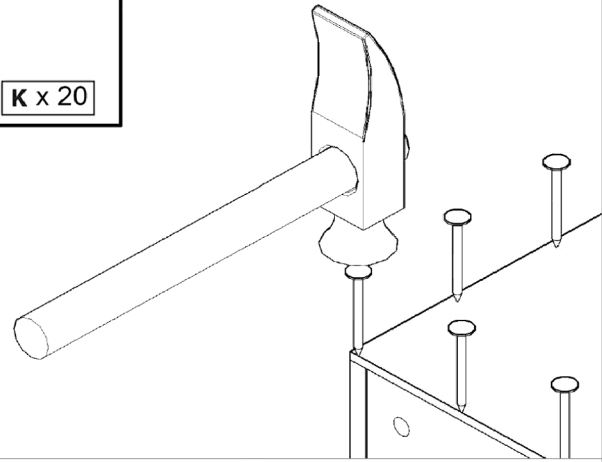
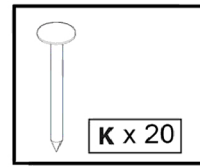
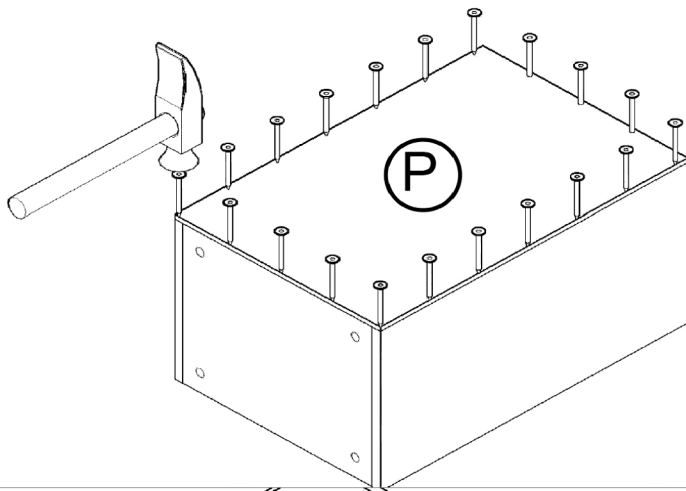
4



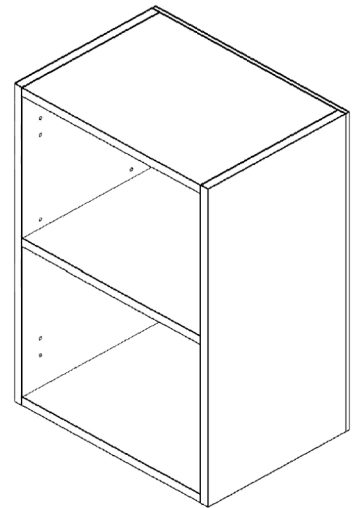
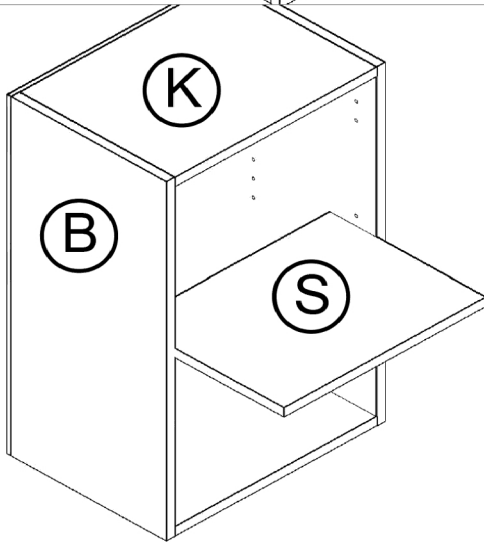
5



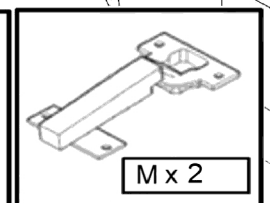
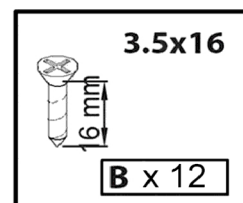
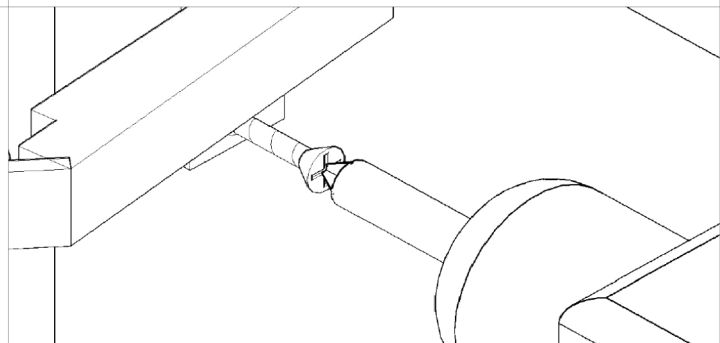
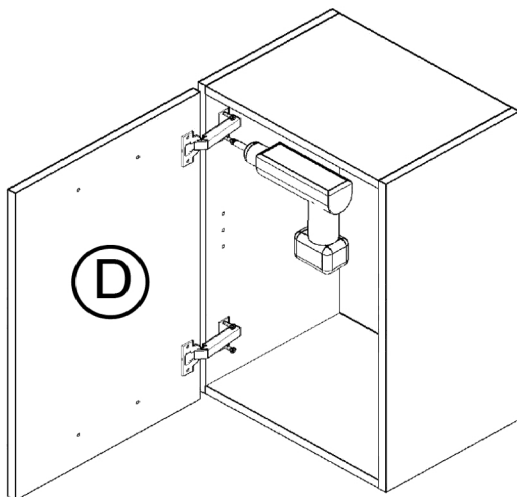
6



7

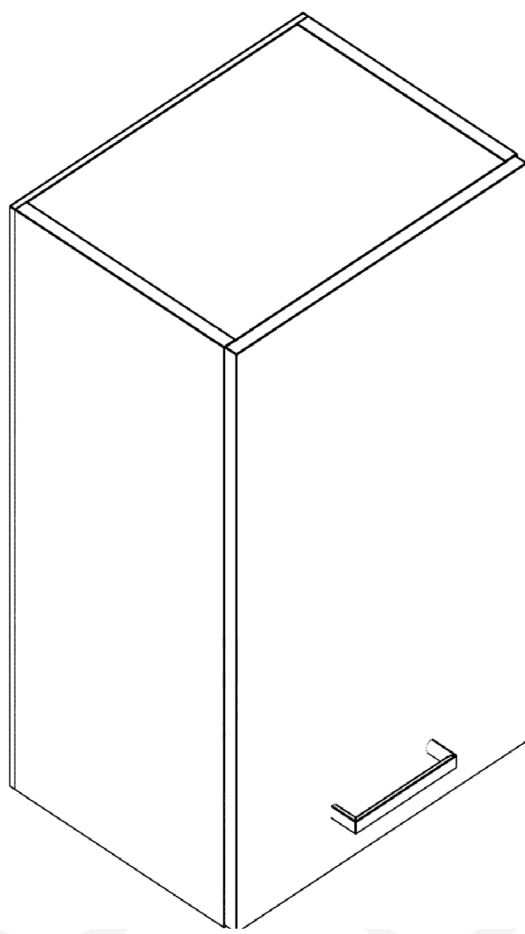
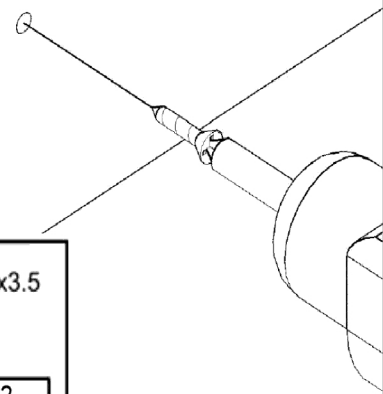
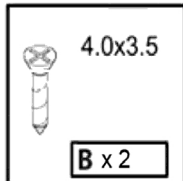
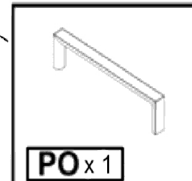
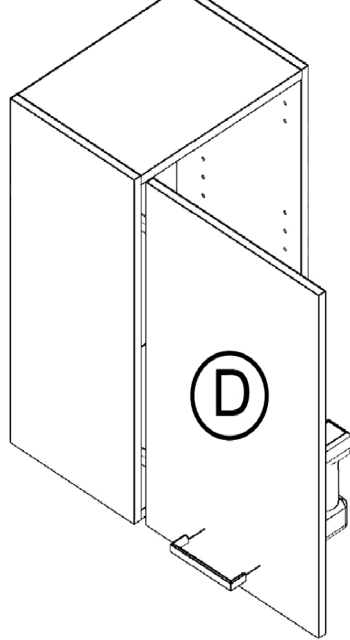


8

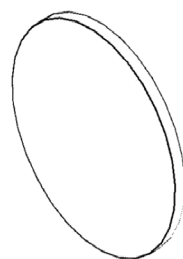
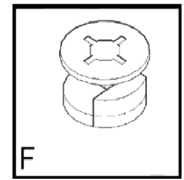
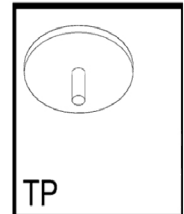
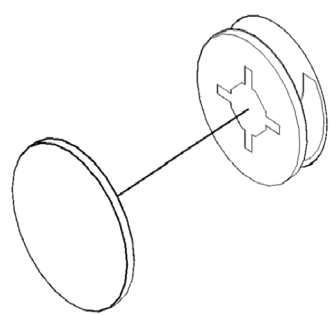




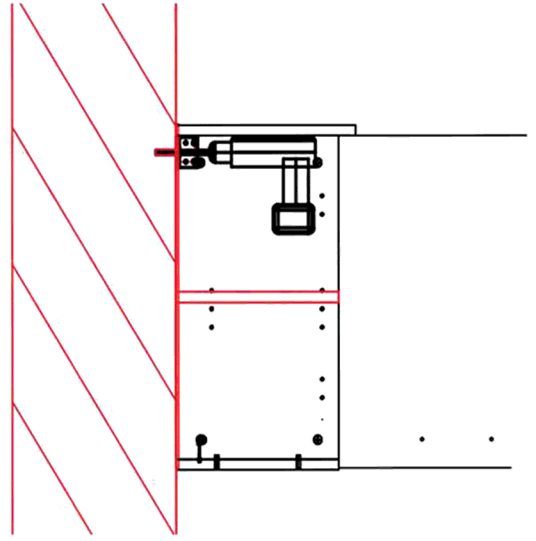
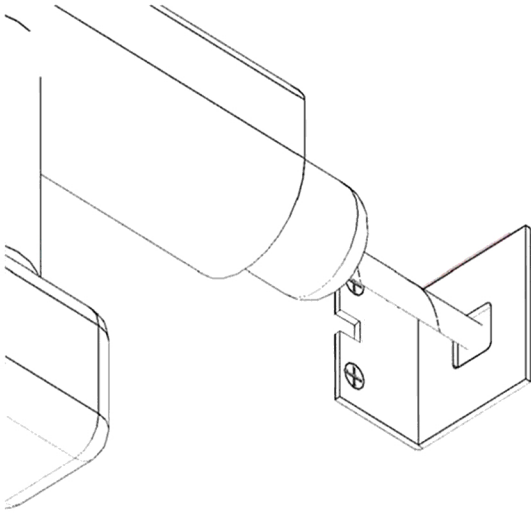
9



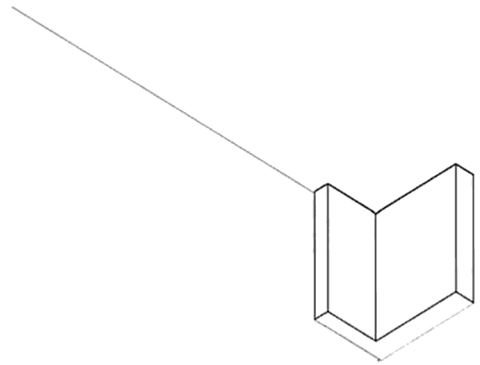
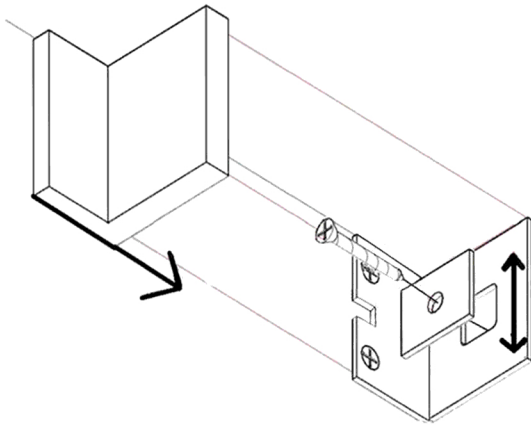
PLASTIC COVER CAPS FOR SCREWS



**A**

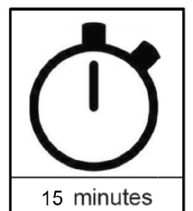
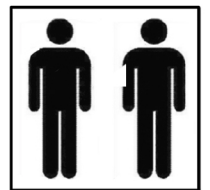
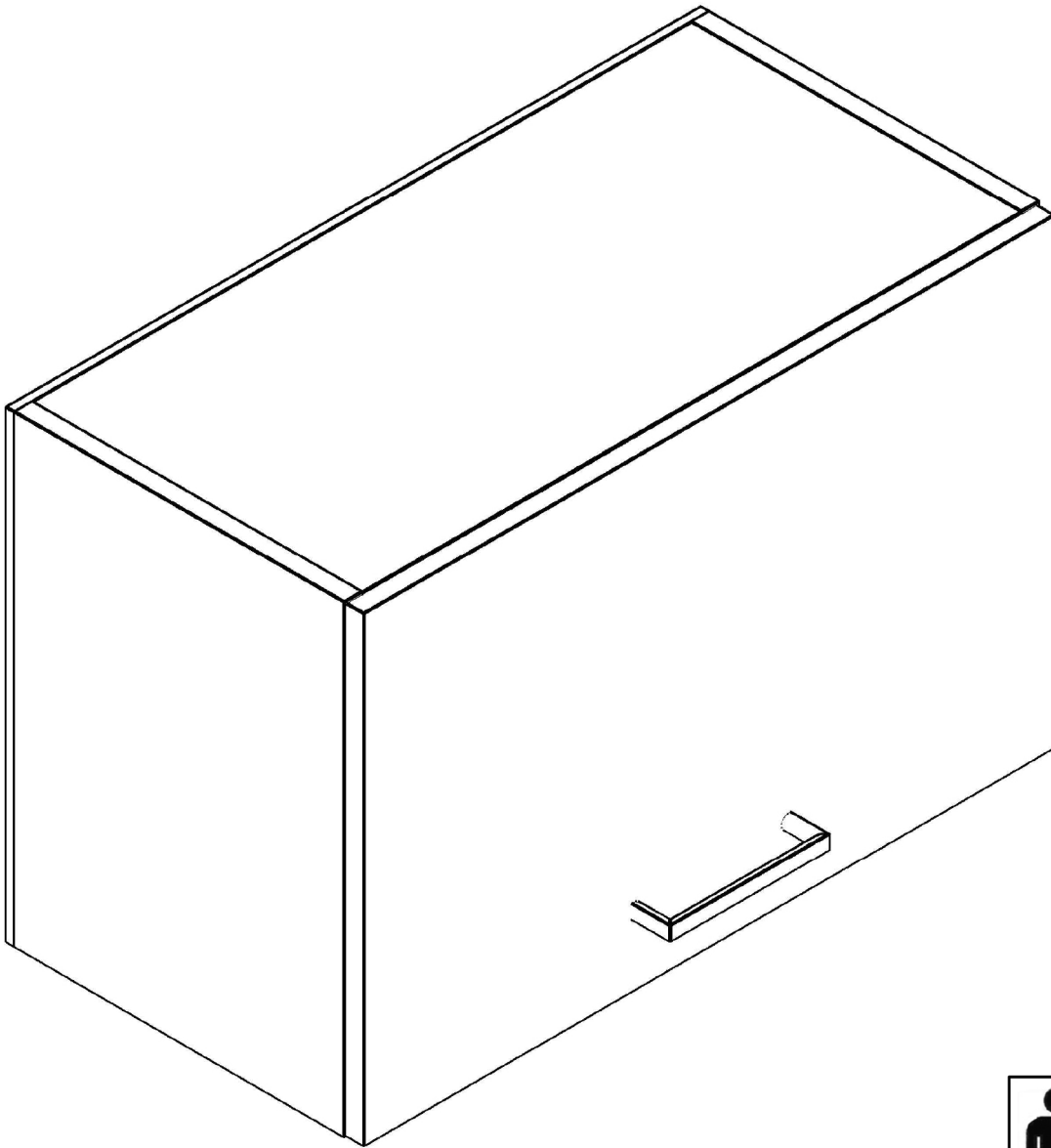


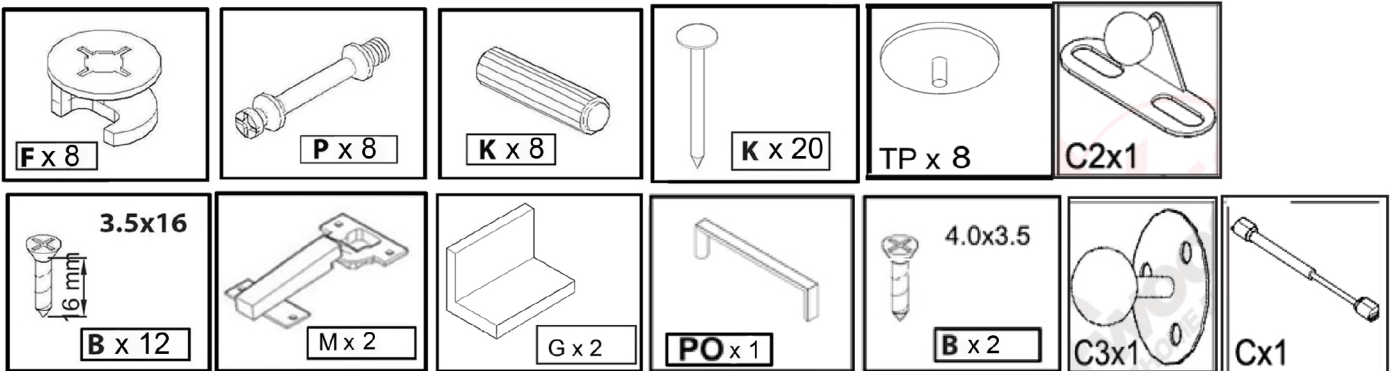
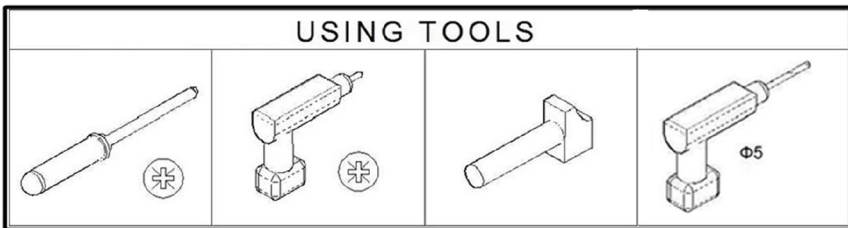
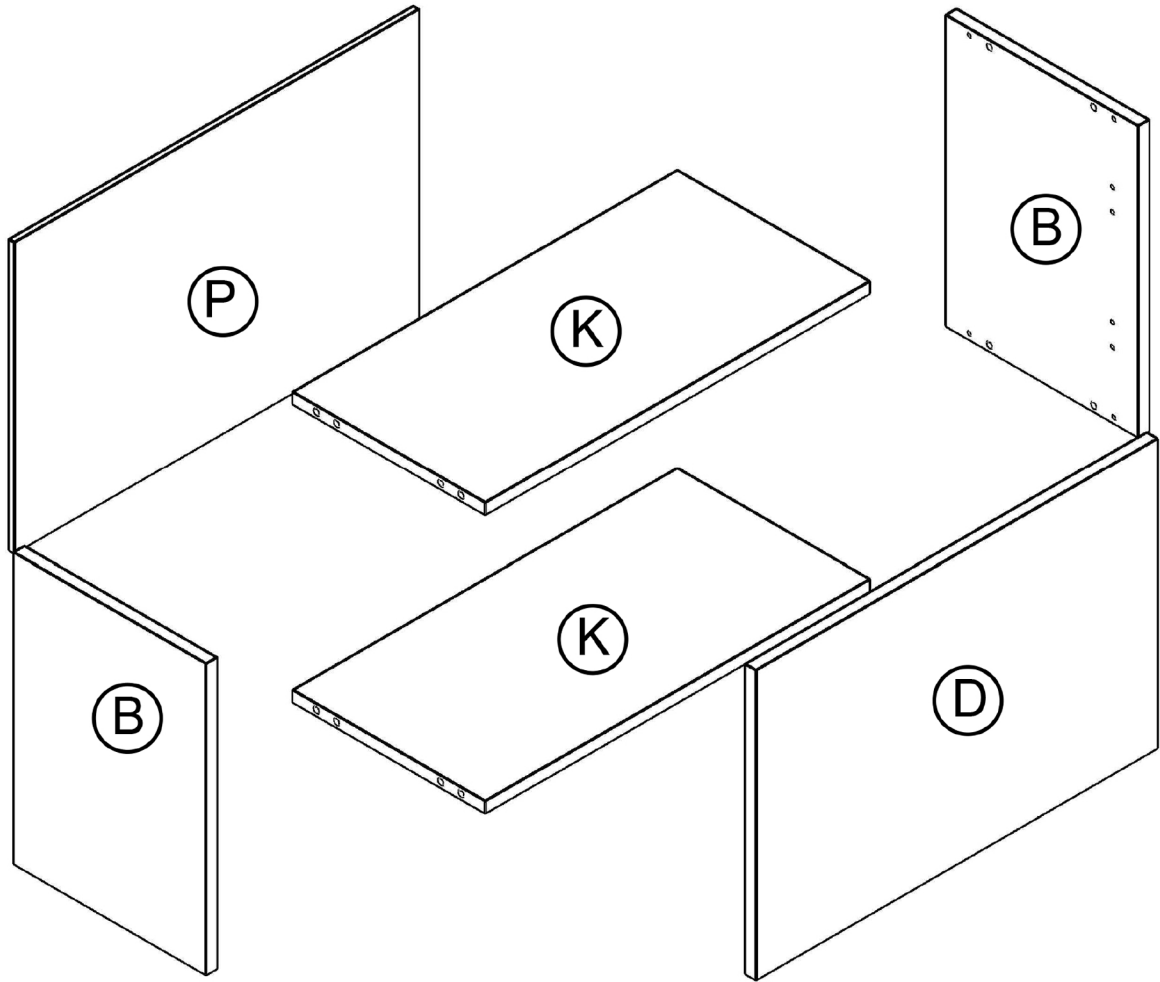
**B**



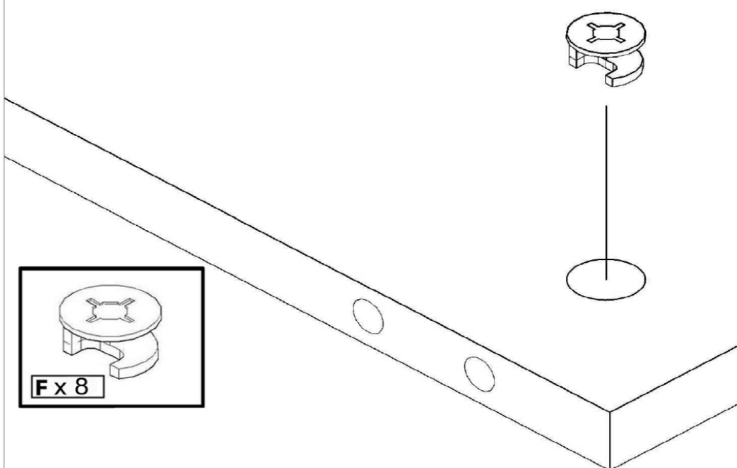
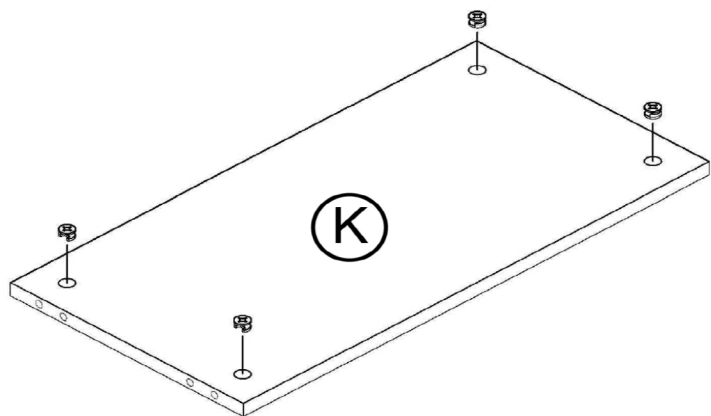


POL 600\_D

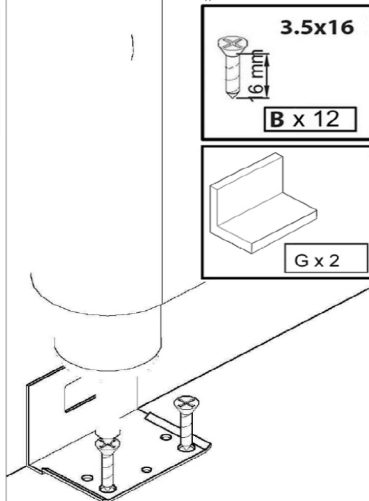
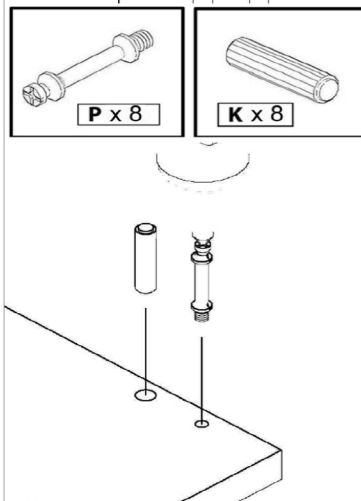
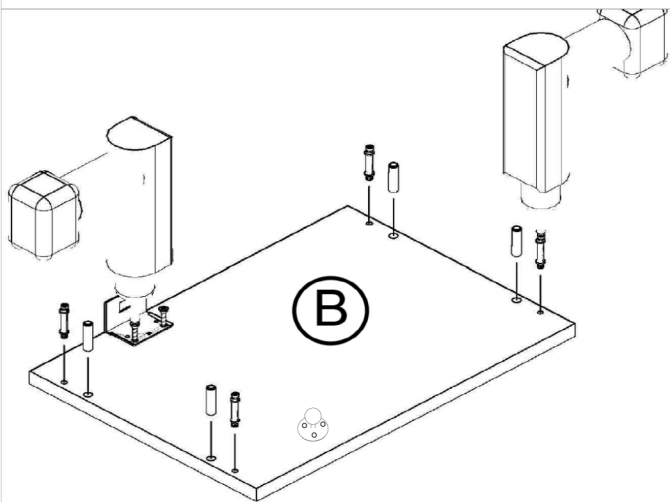




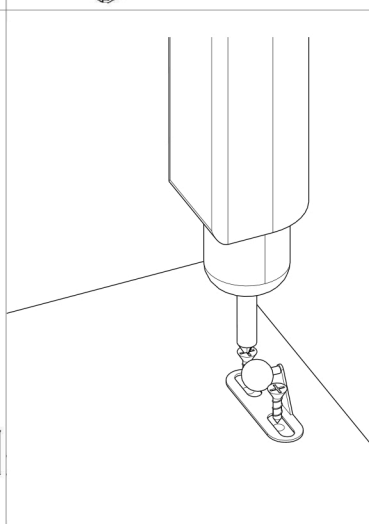
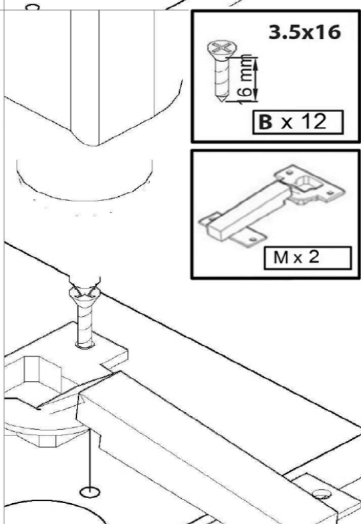
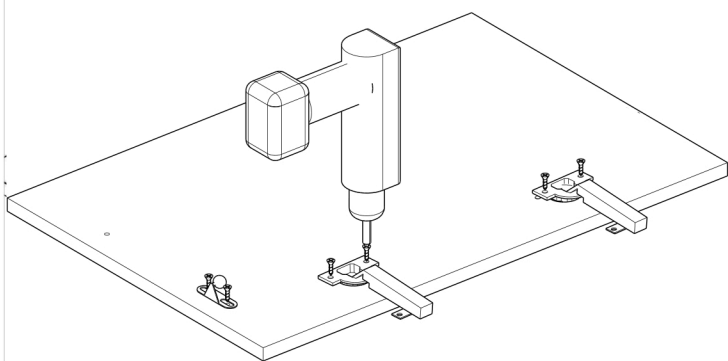
1



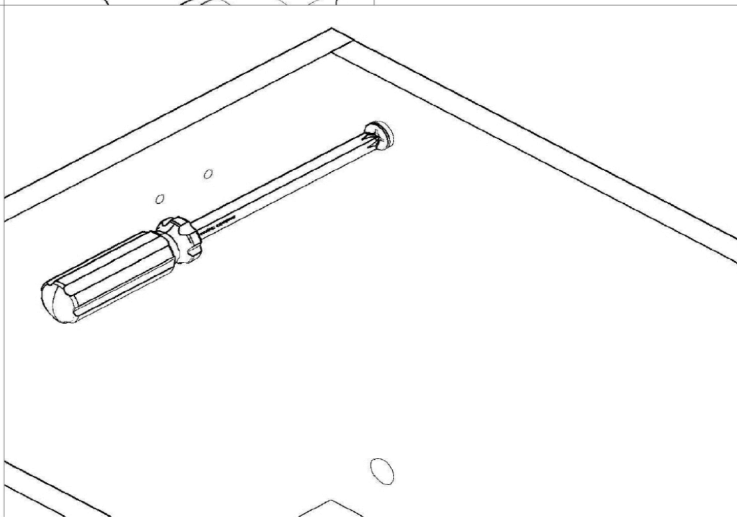
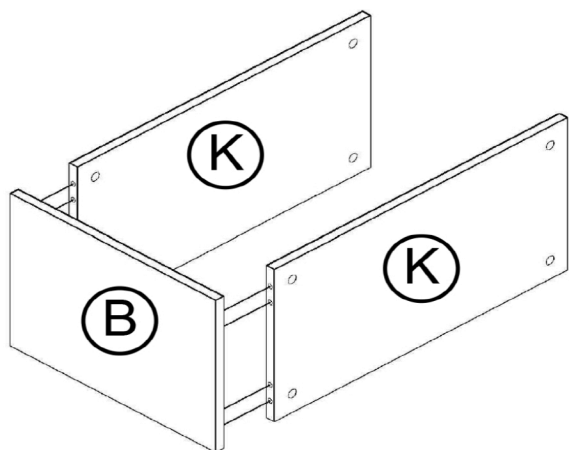
2



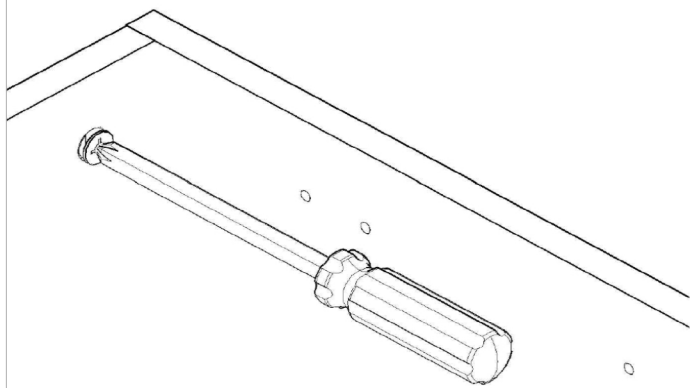
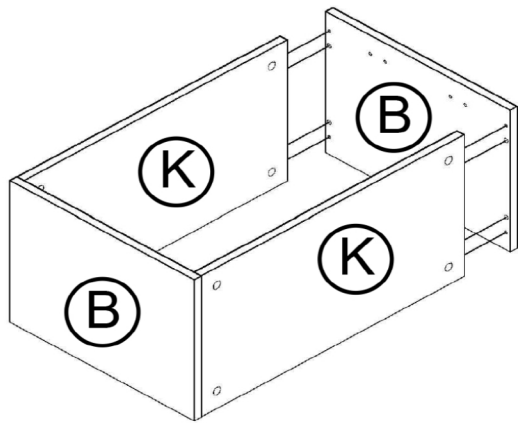
3



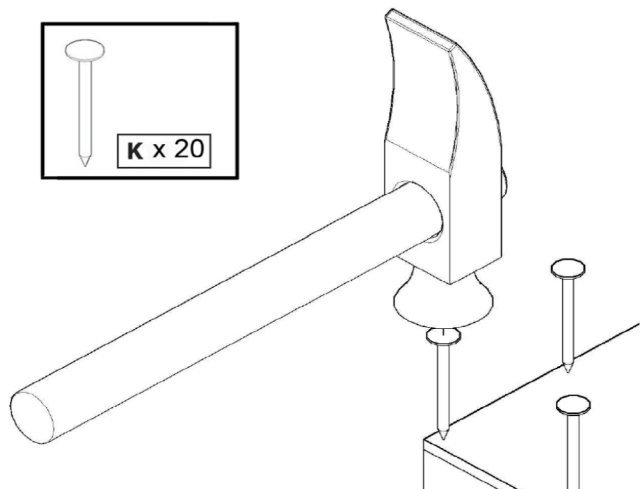
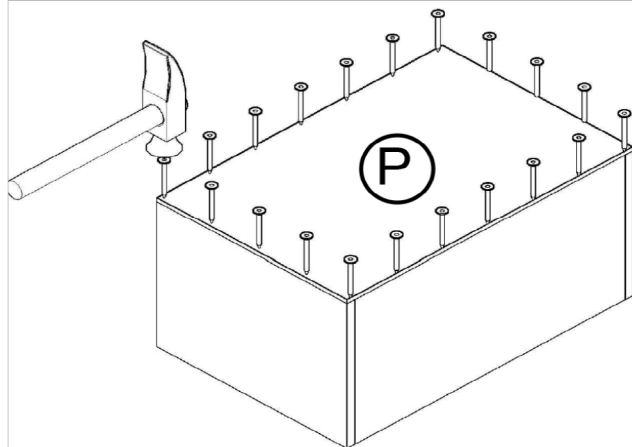
4



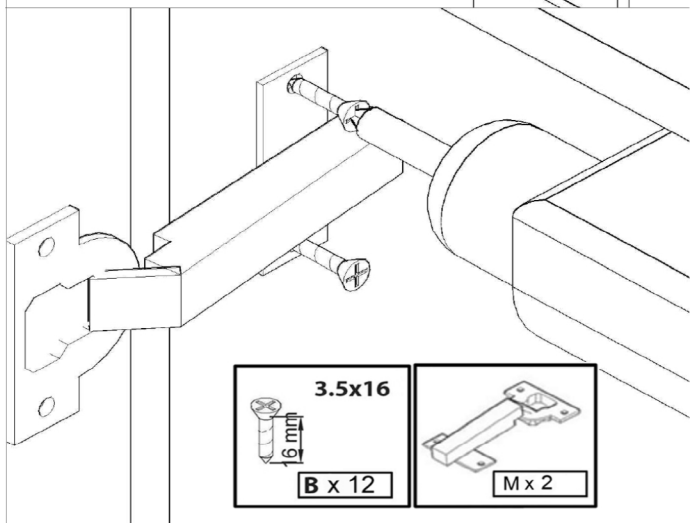
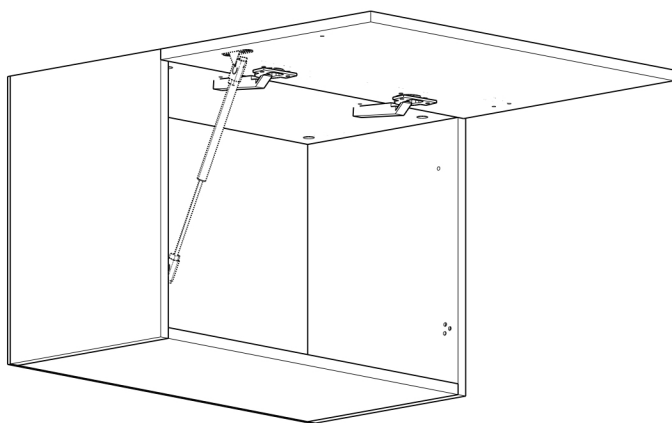
5



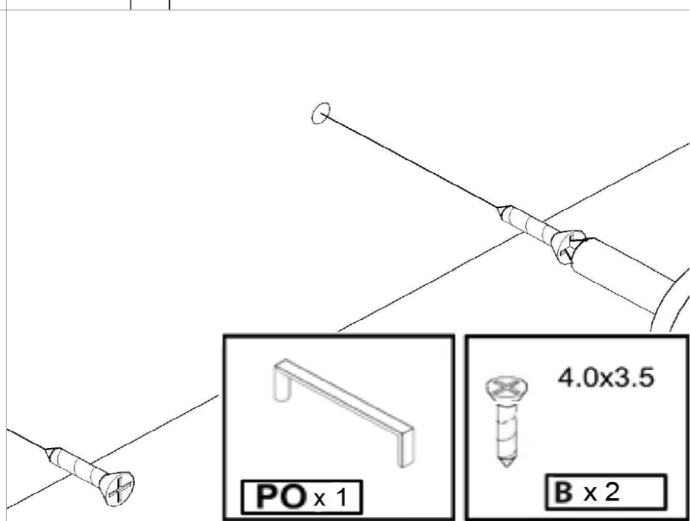
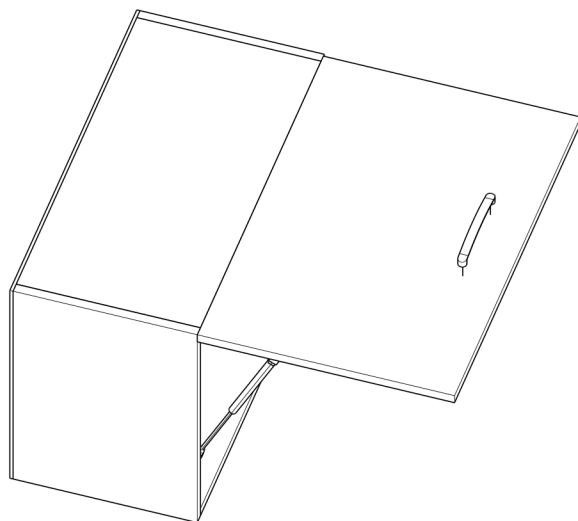
6



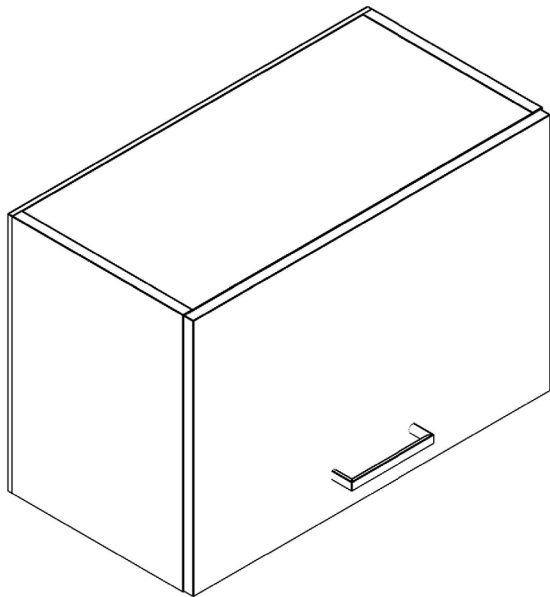
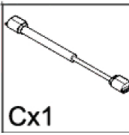
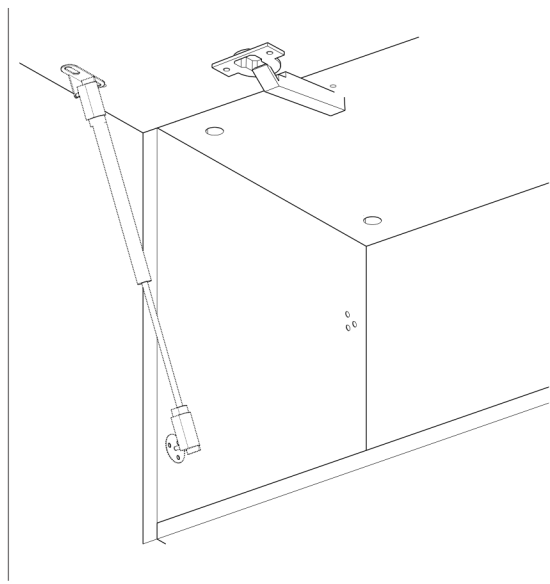
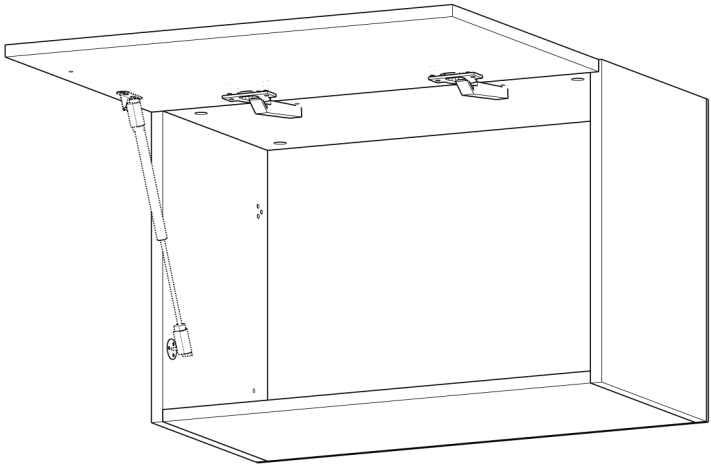
7



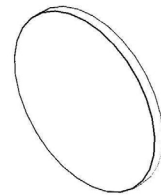
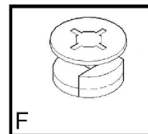
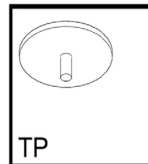
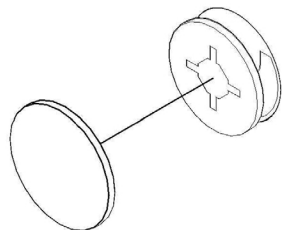
8



9

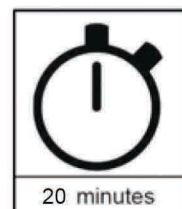
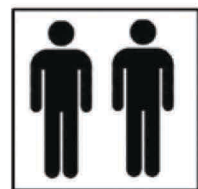
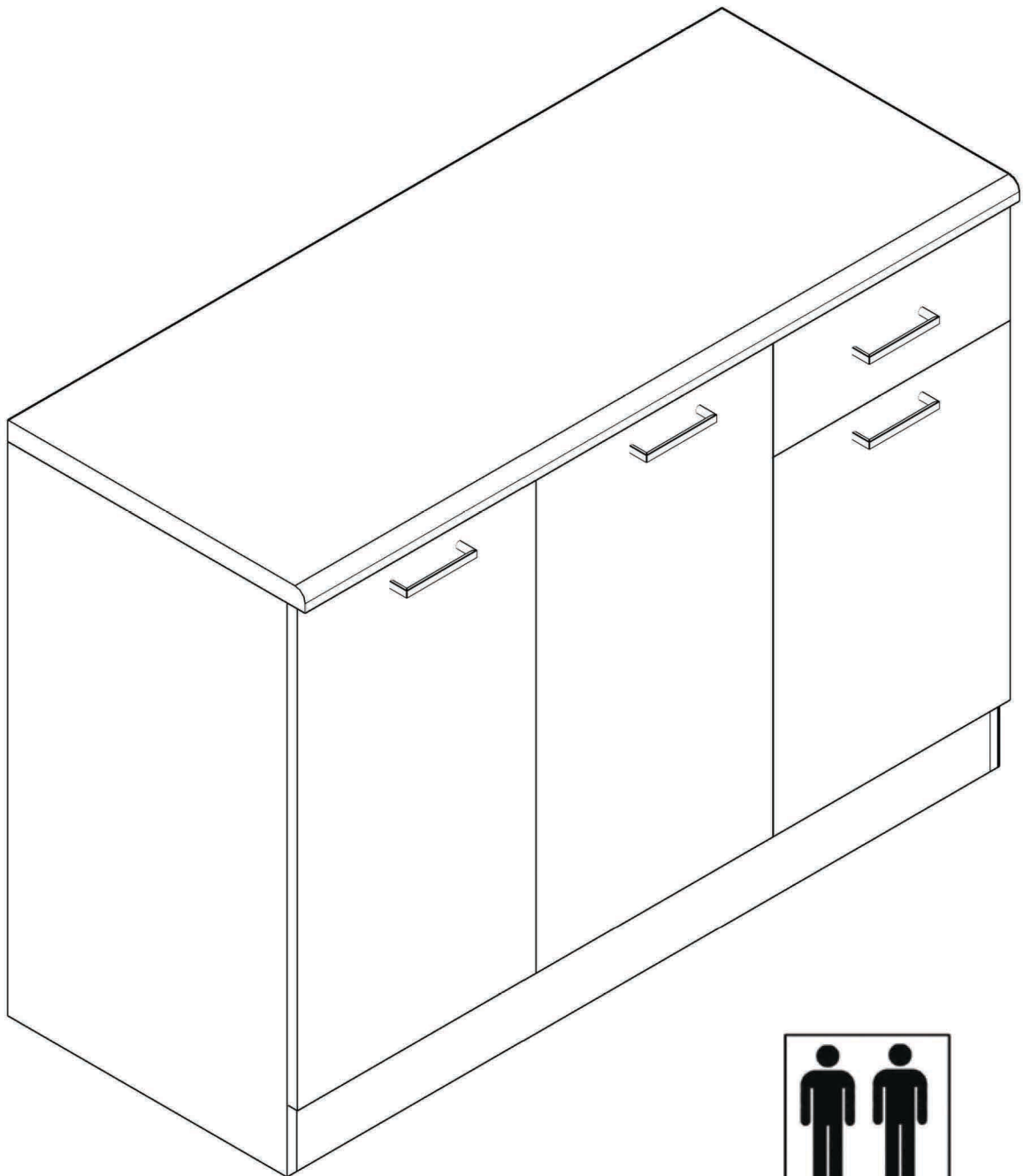


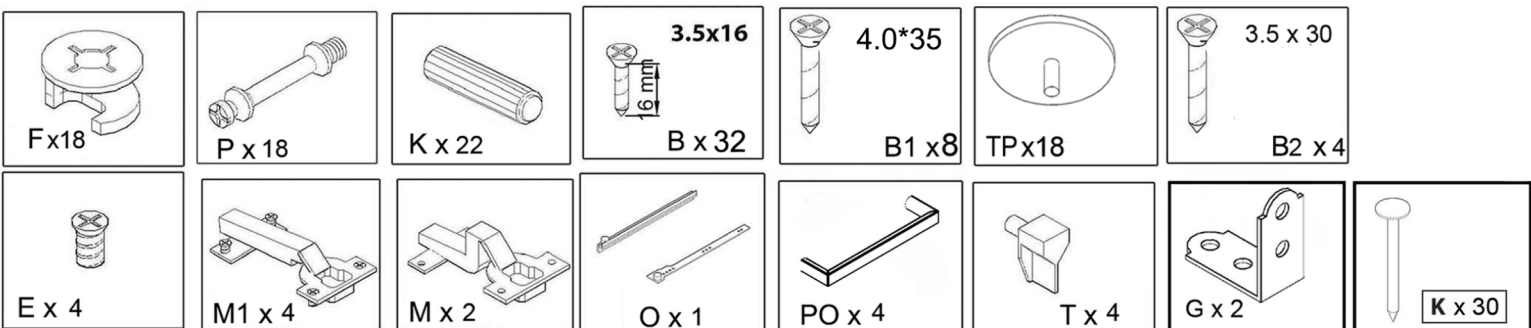
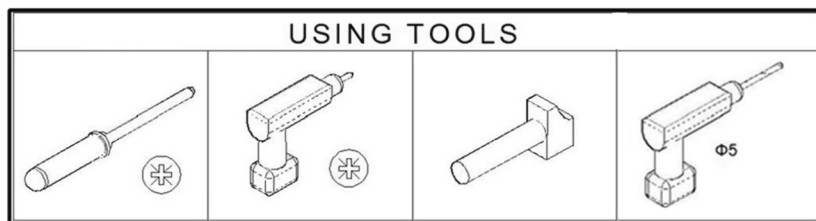
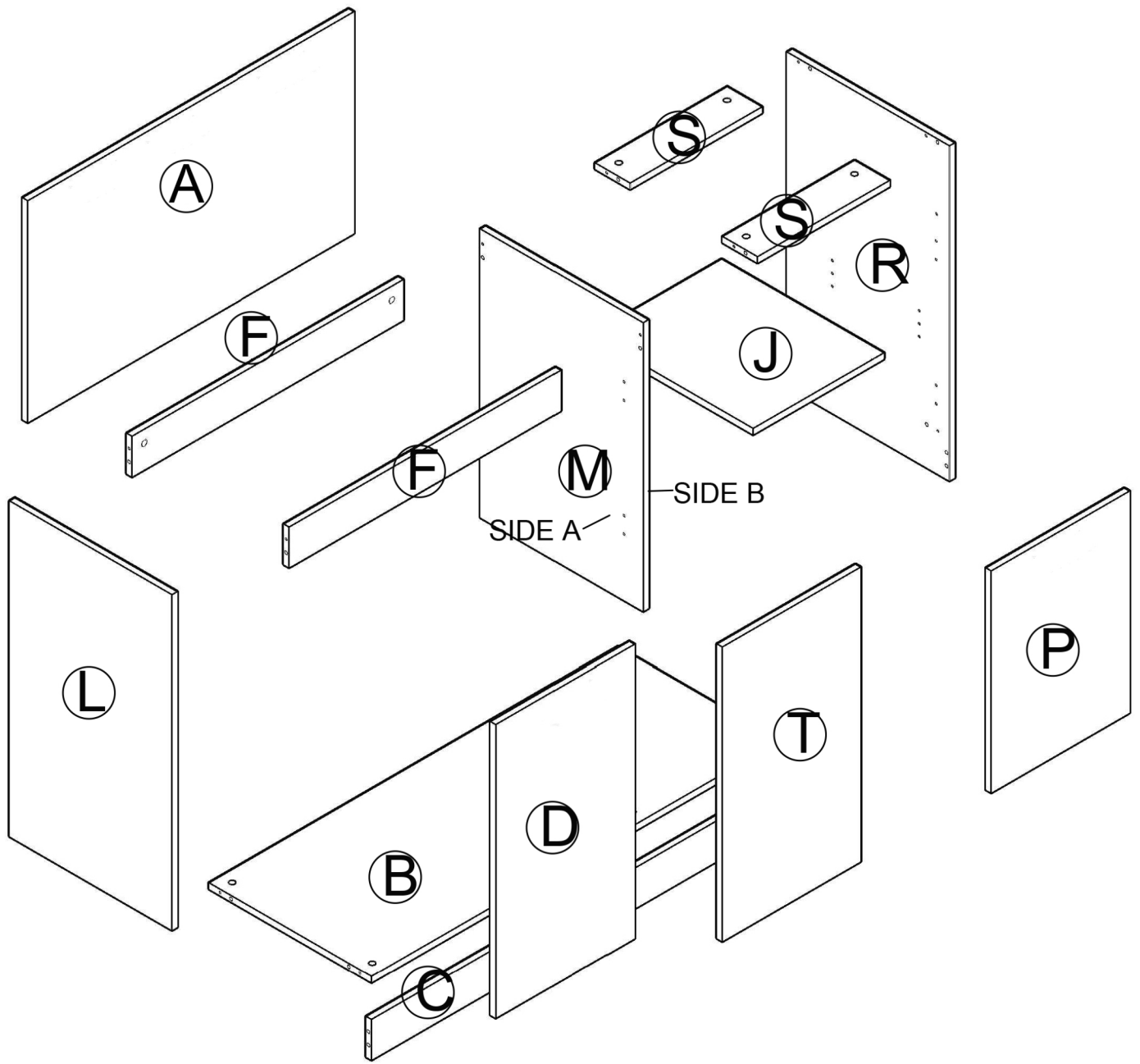
**PLASTIC COVER CAPS FOR SCREWS**



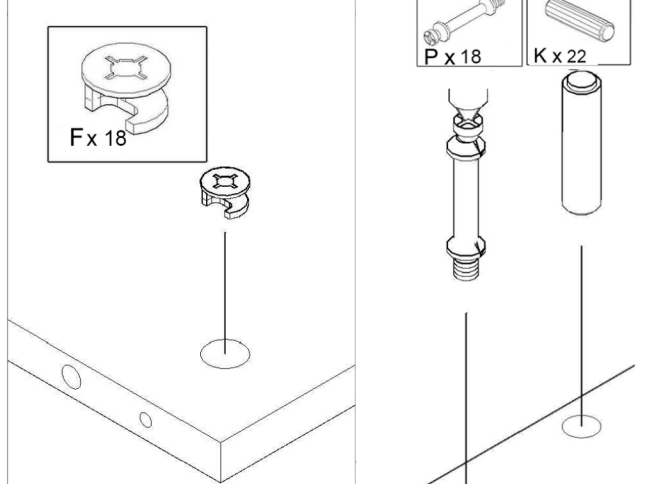
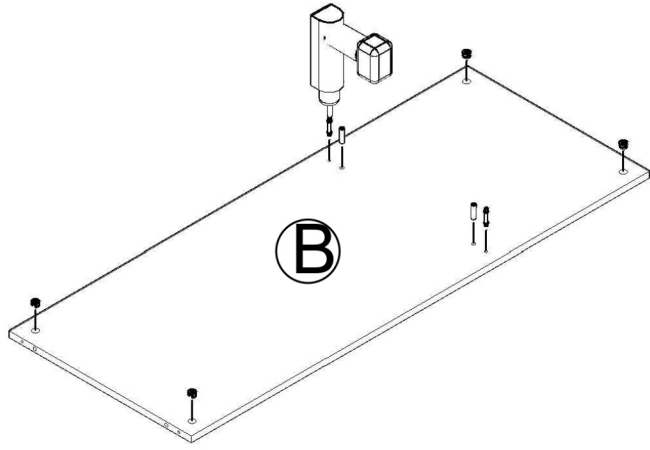


POL 600\_A

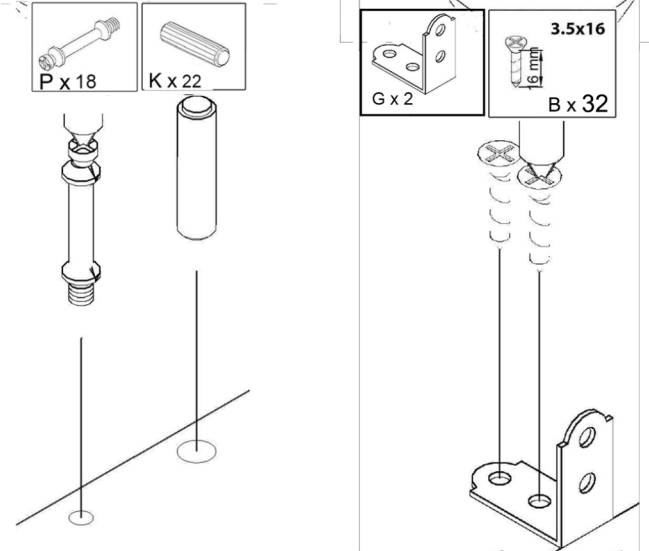
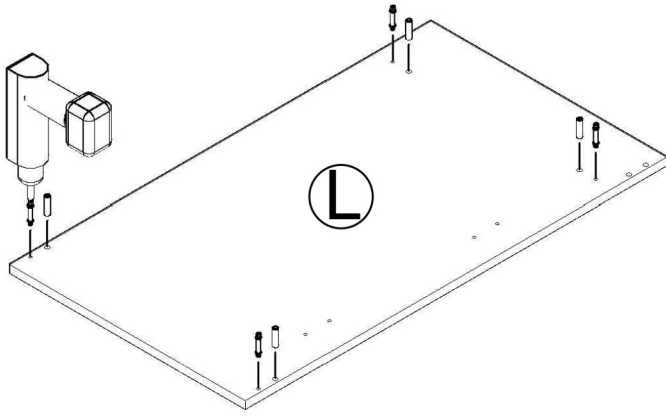




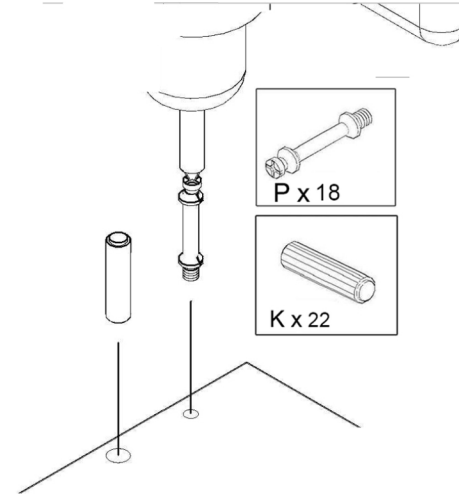
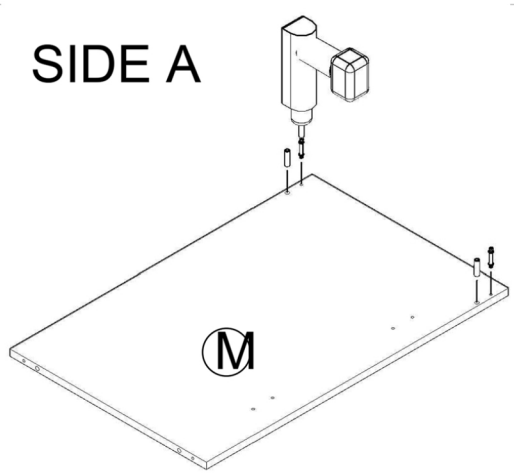
# 1



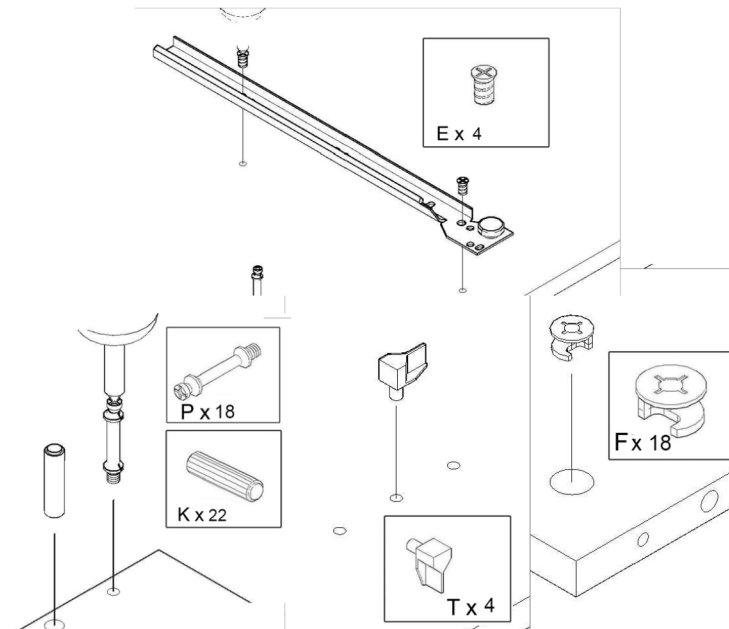
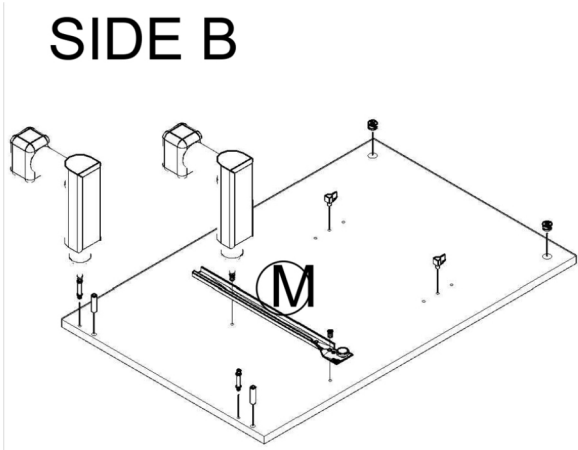
# 2



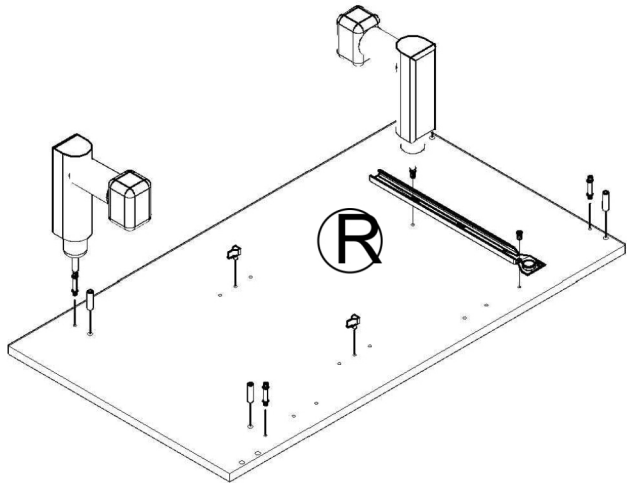
# 3



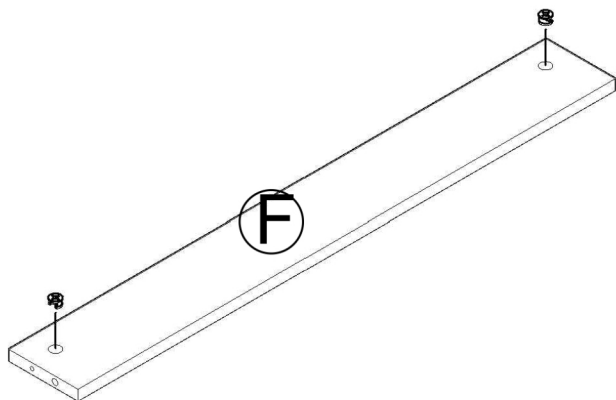
# 4



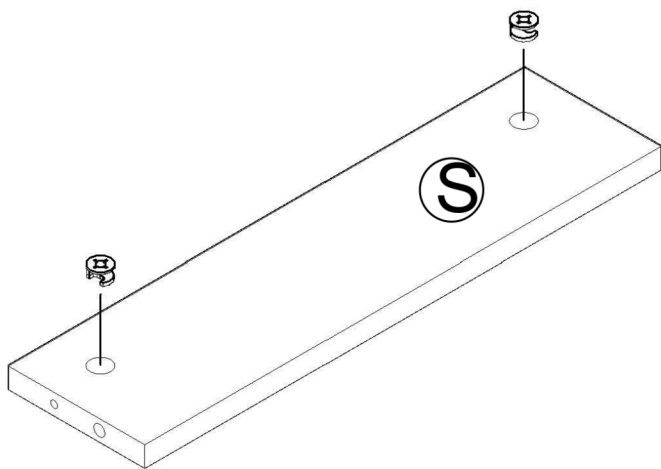
5



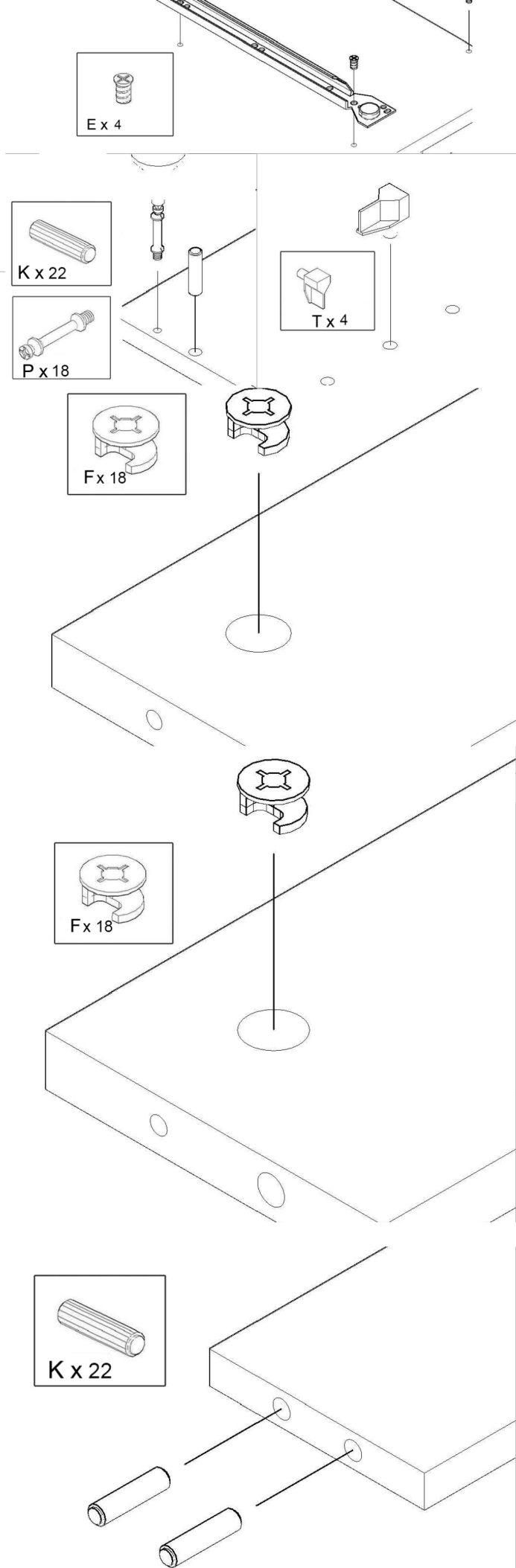
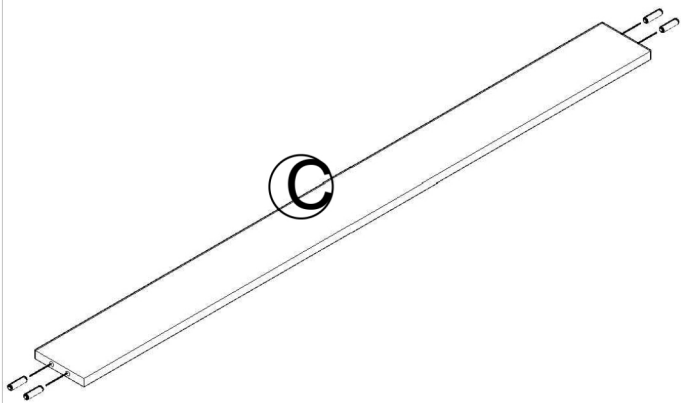
6



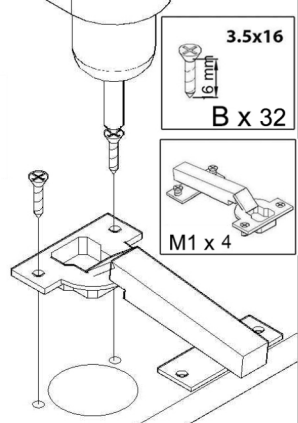
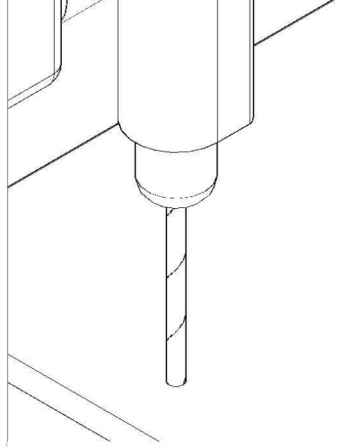
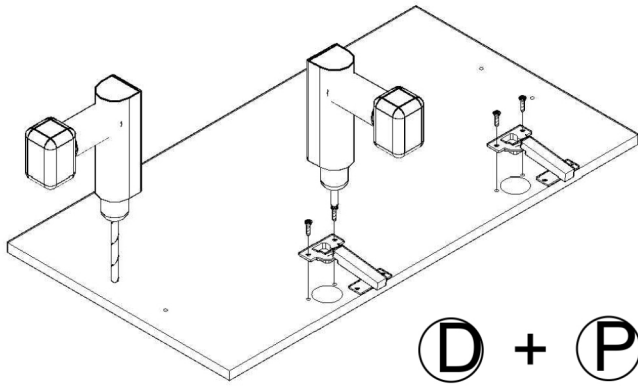
7



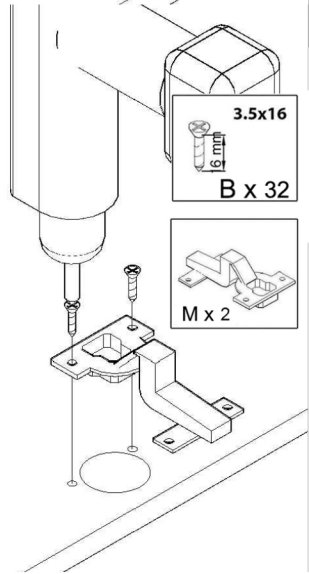
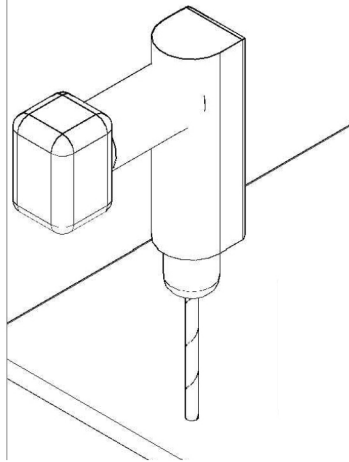
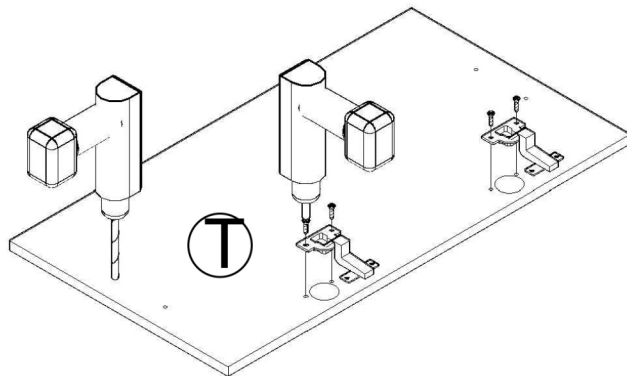
8



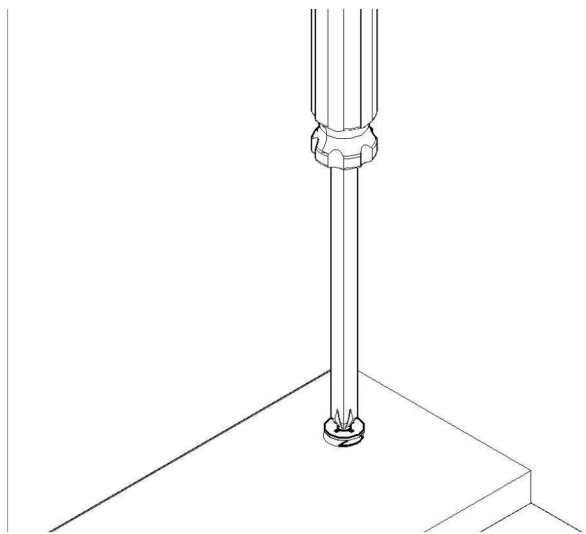
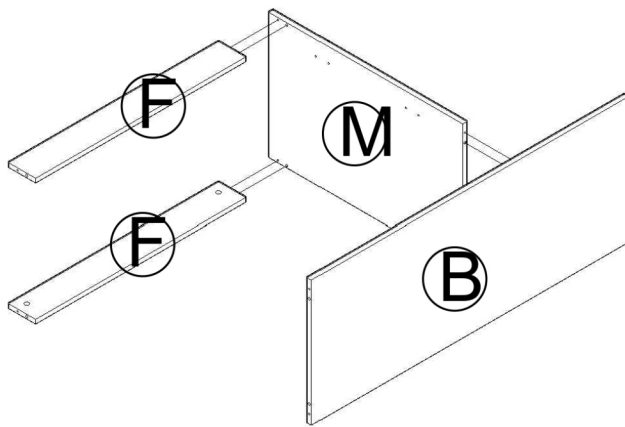
# 9



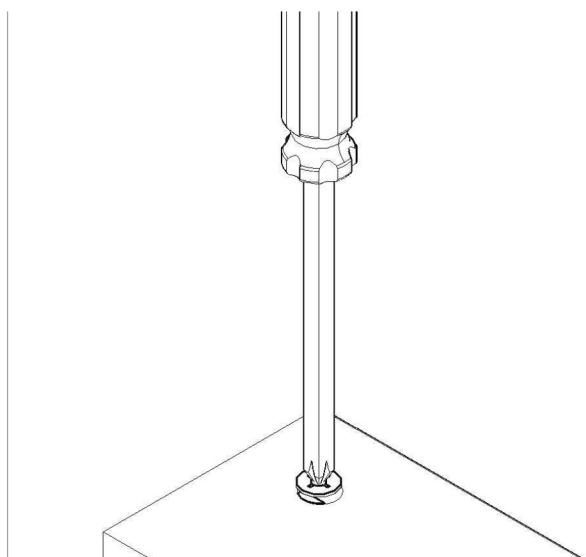
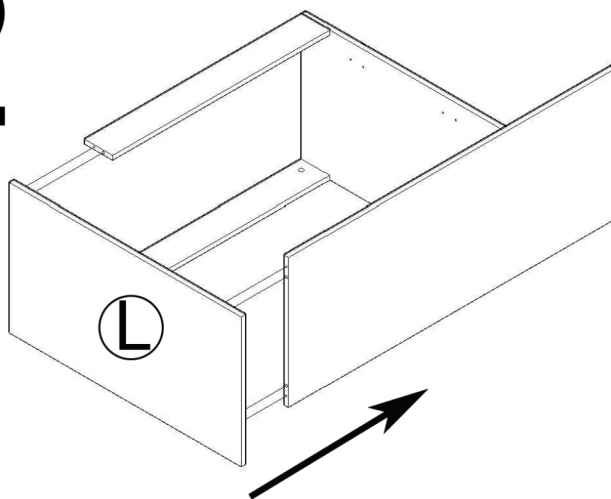
# 10



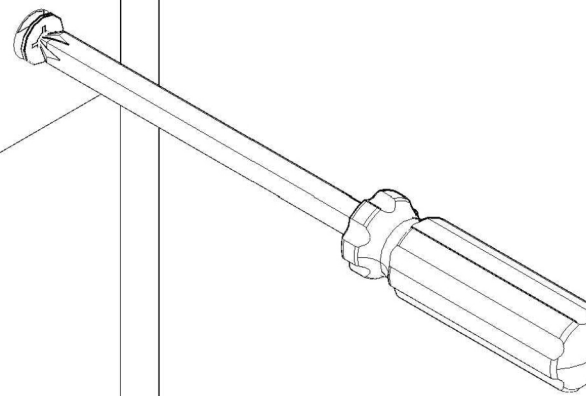
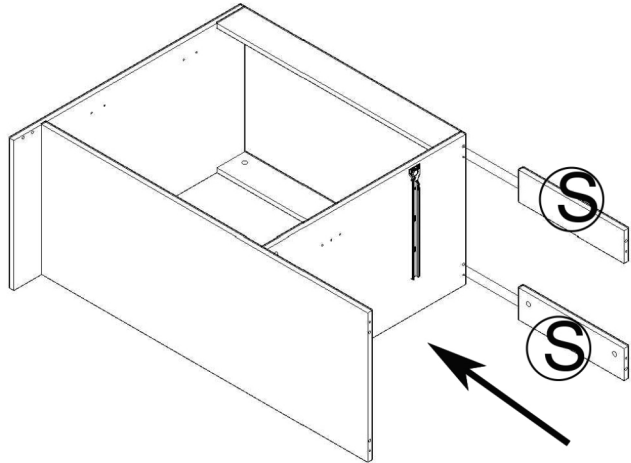
# 11



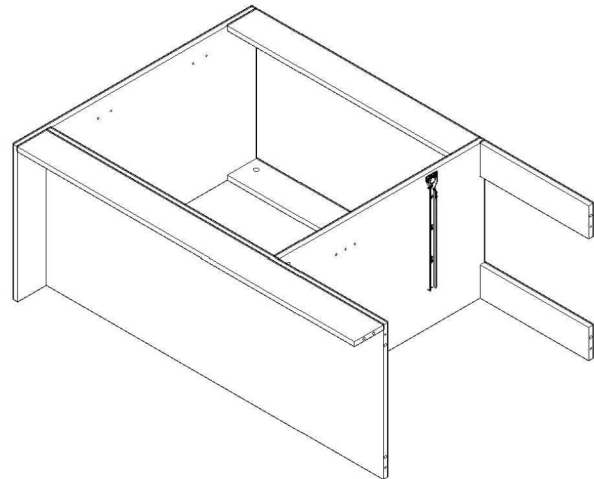
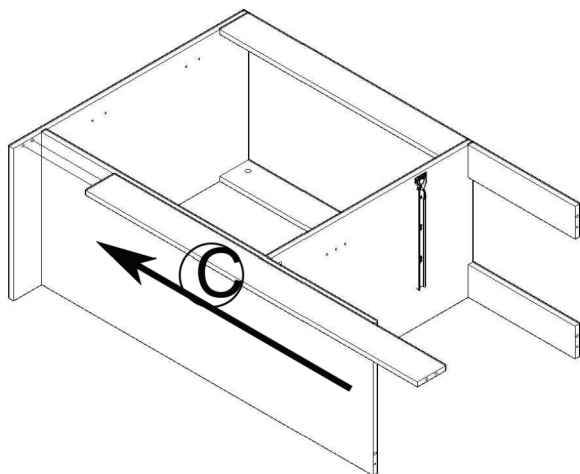
# 12



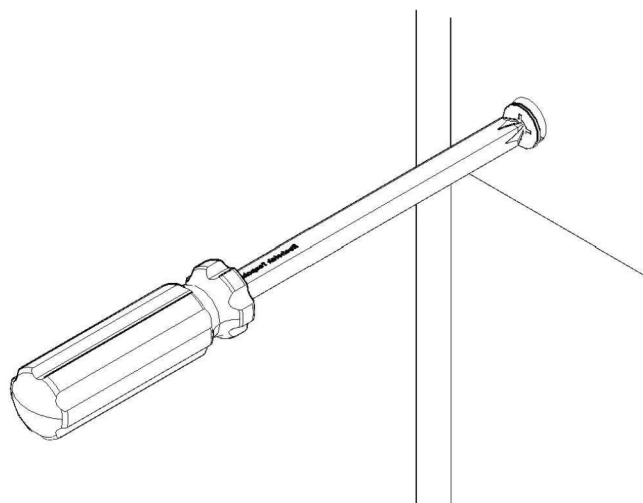
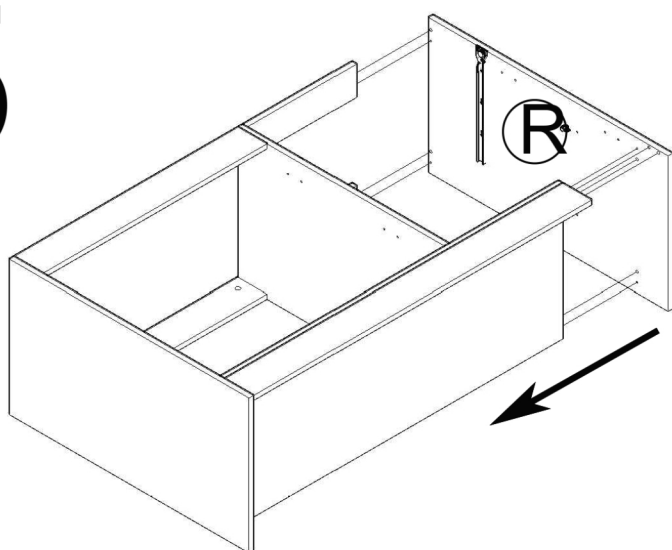
# 13



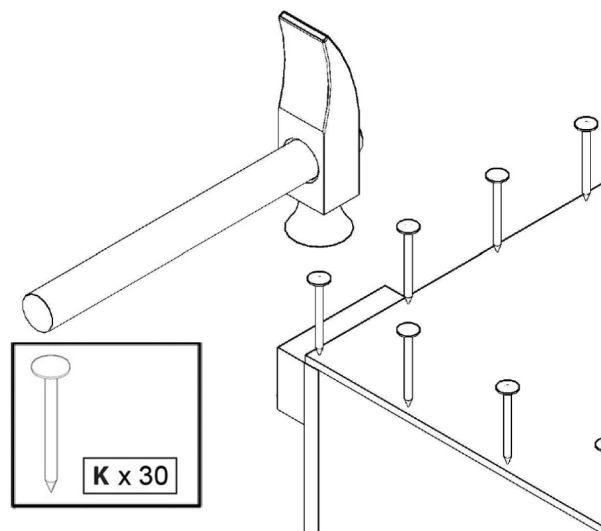
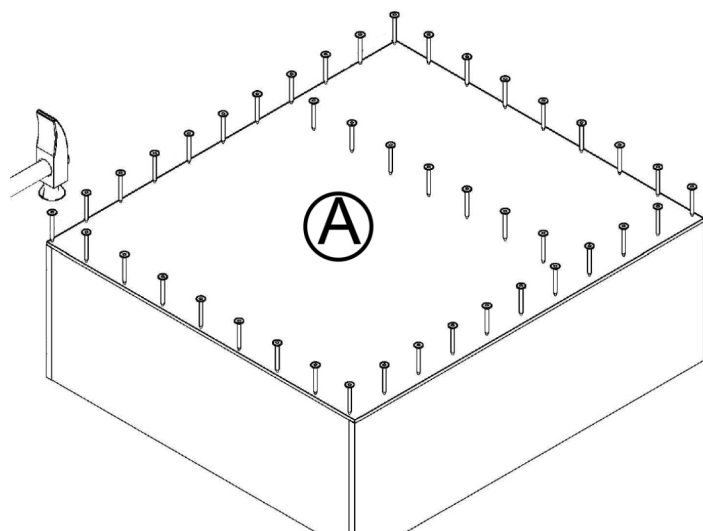
# 14



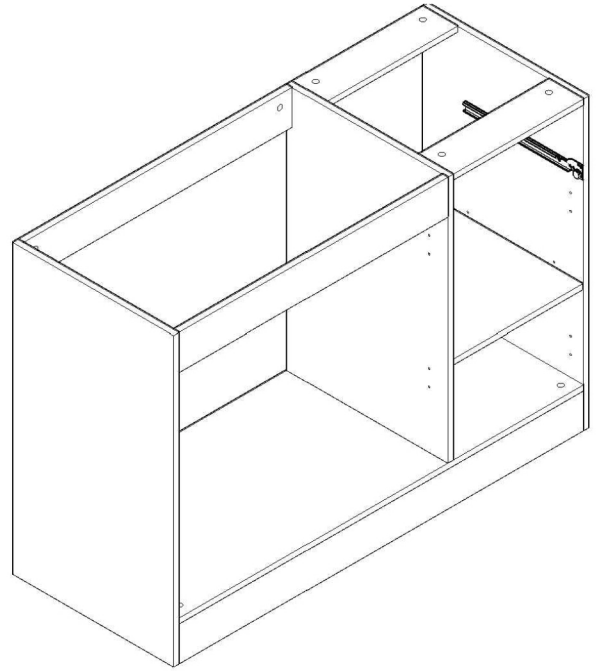
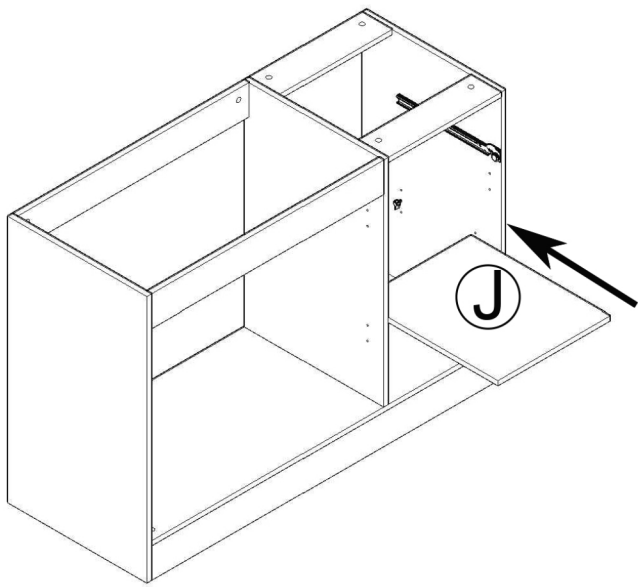
# 15



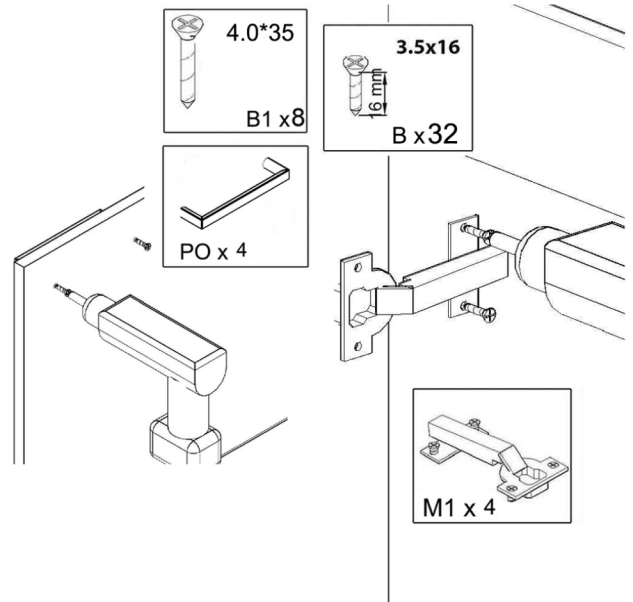
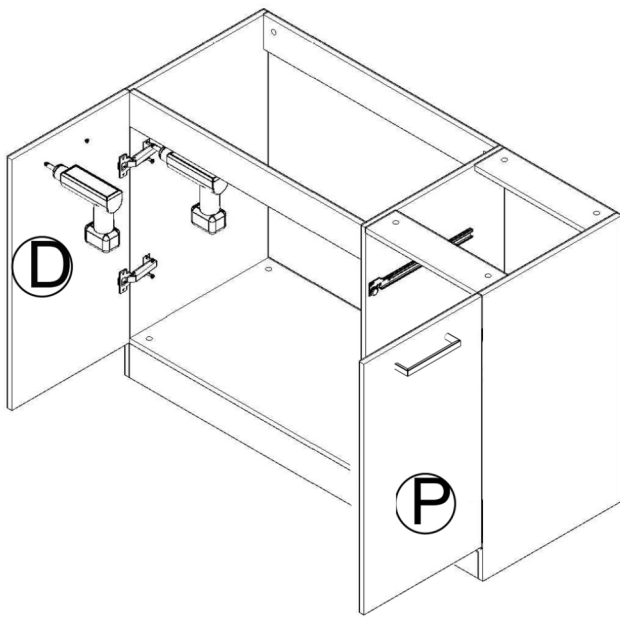
# 16



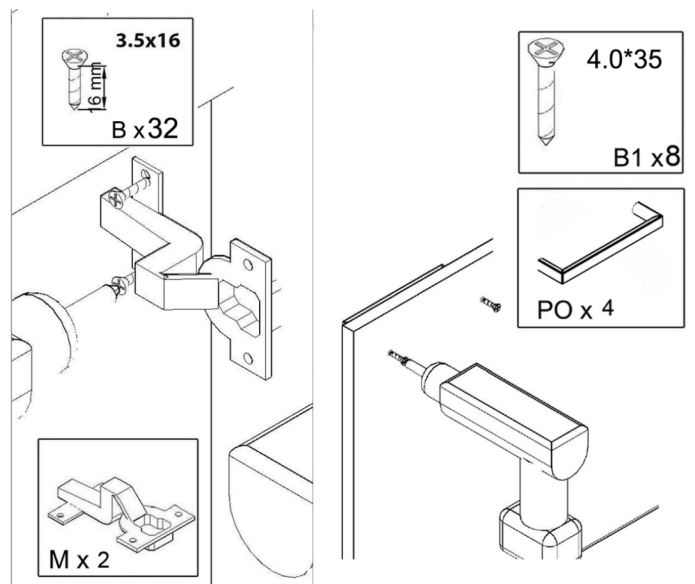
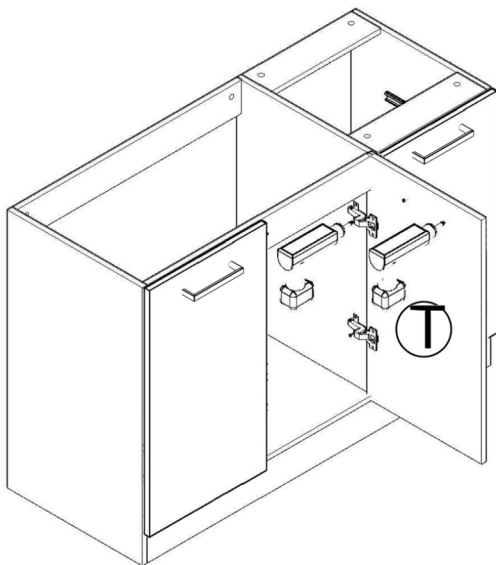
# 17



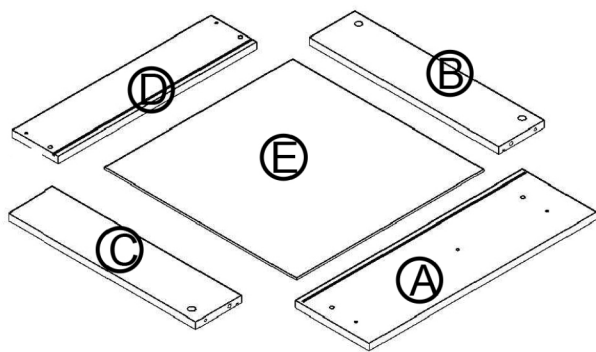
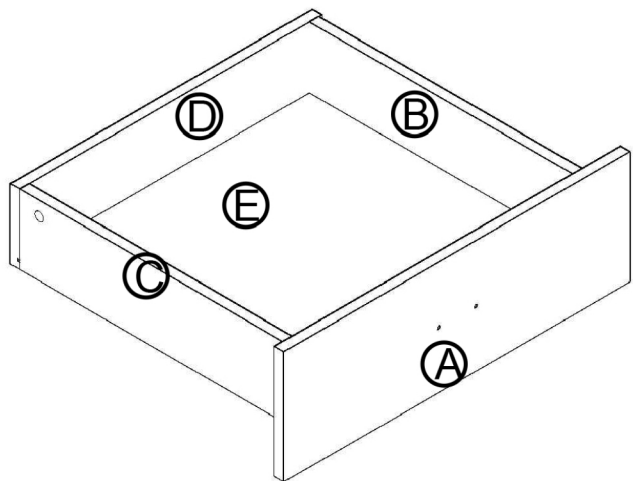
# 18



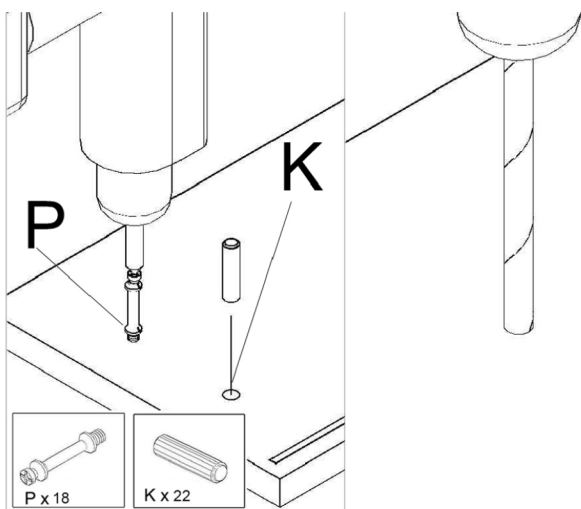
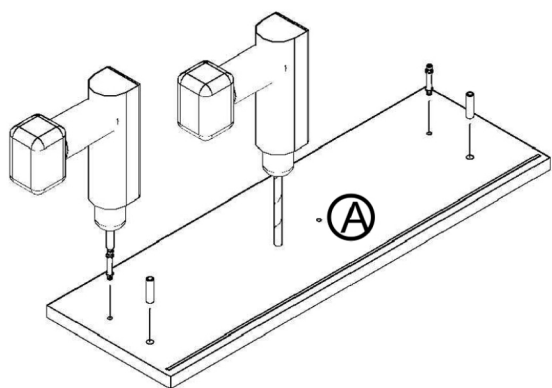
# 19



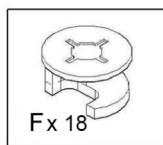
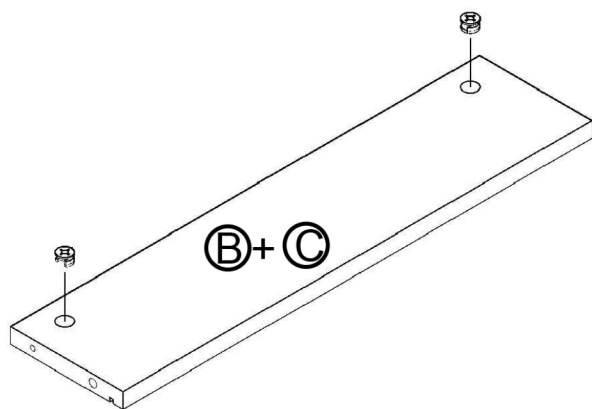




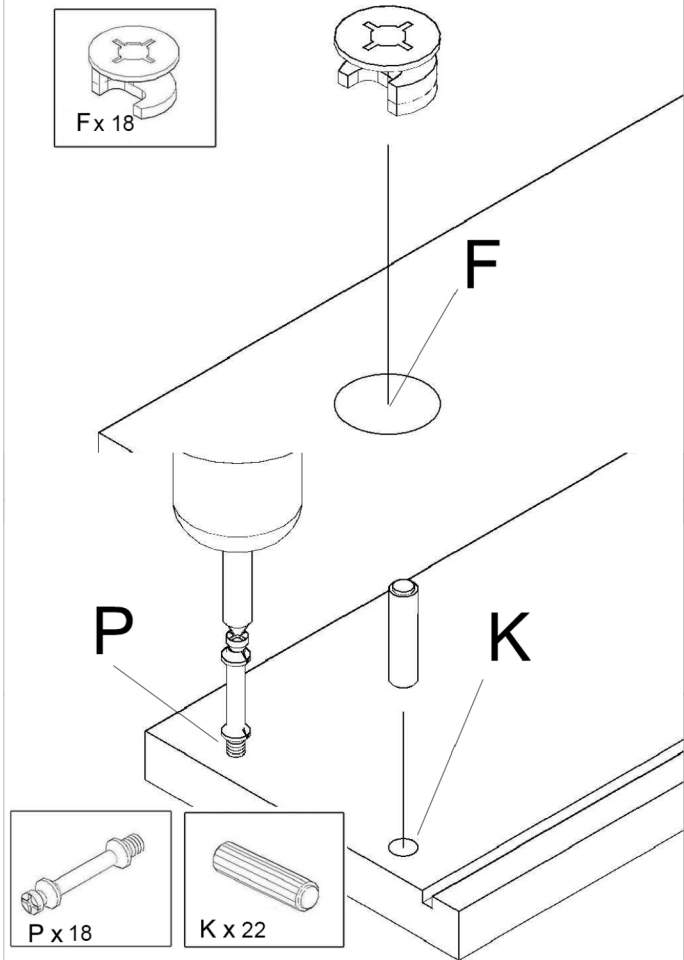
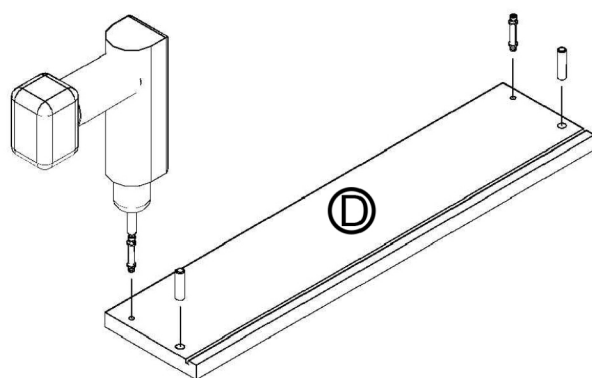
1



2

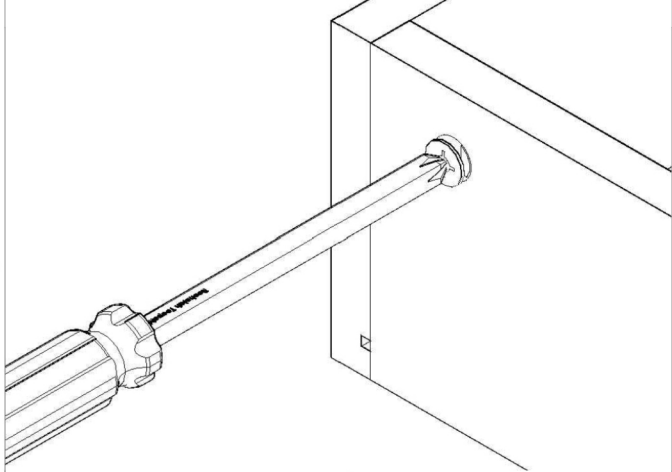
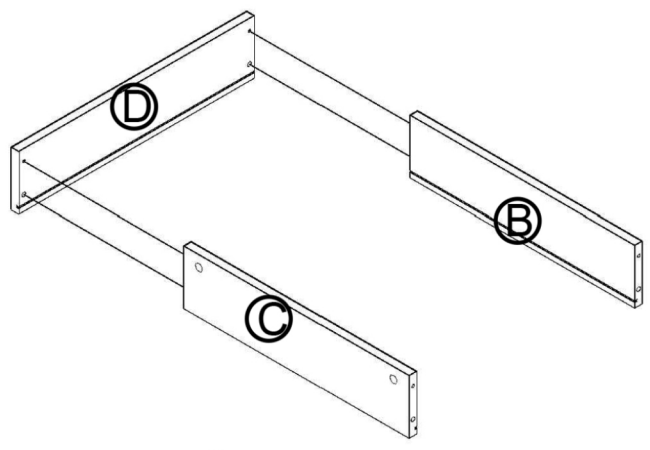


3

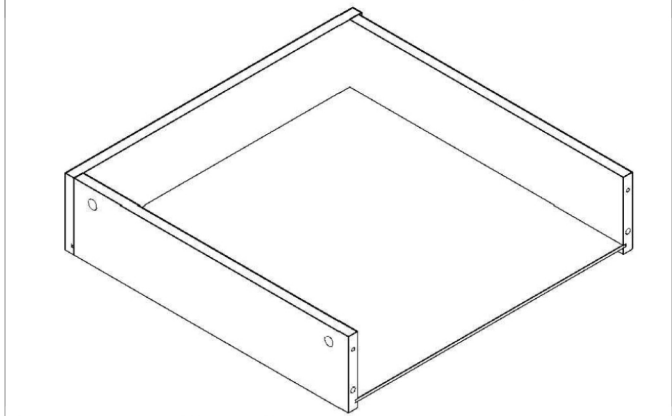
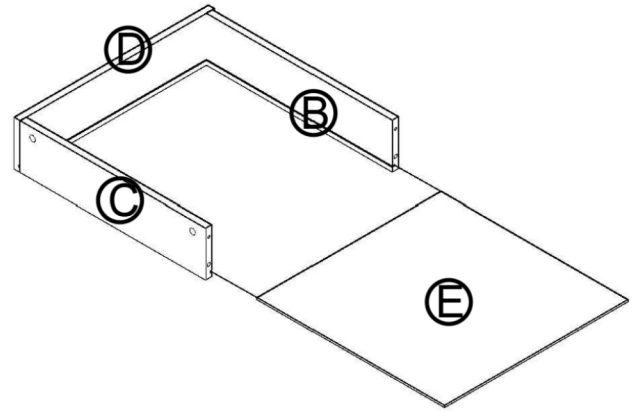




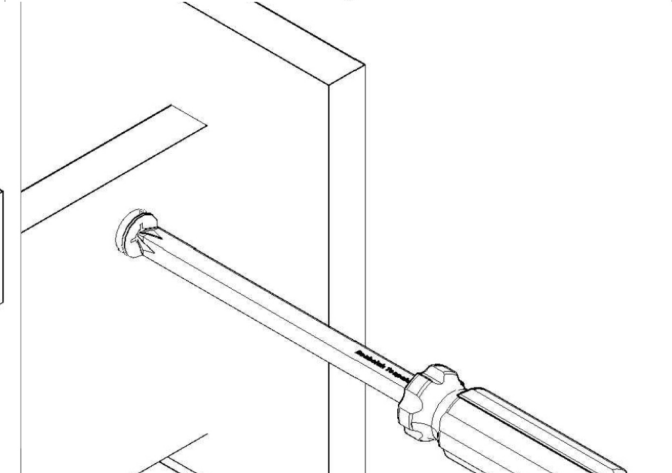
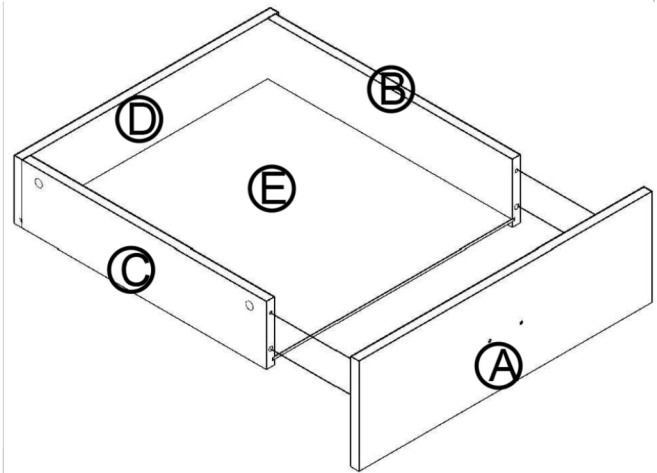
4



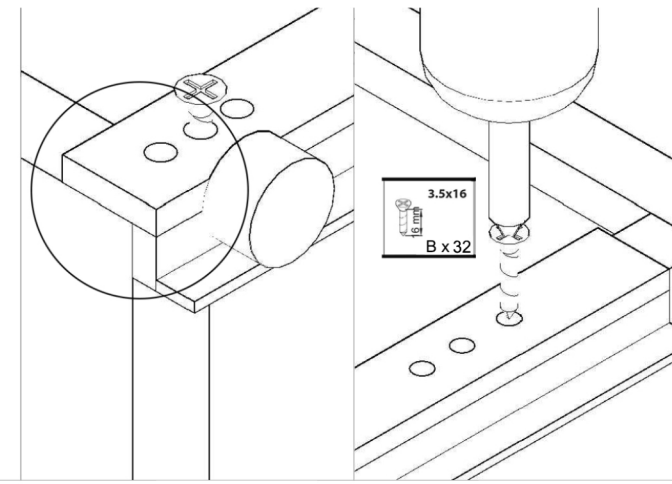
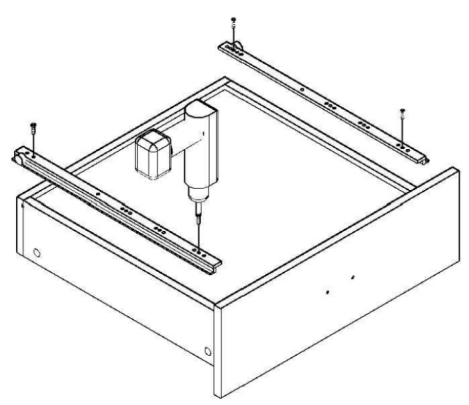
5



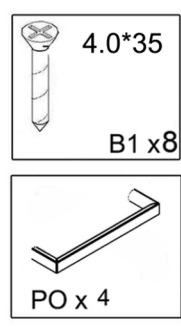
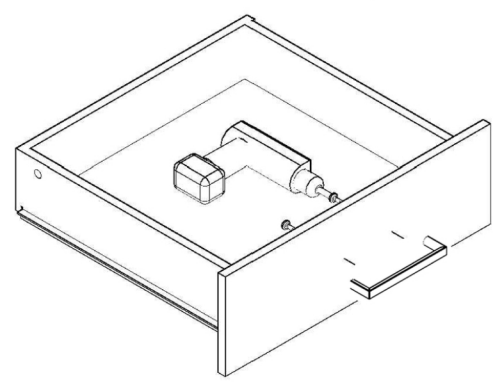
6

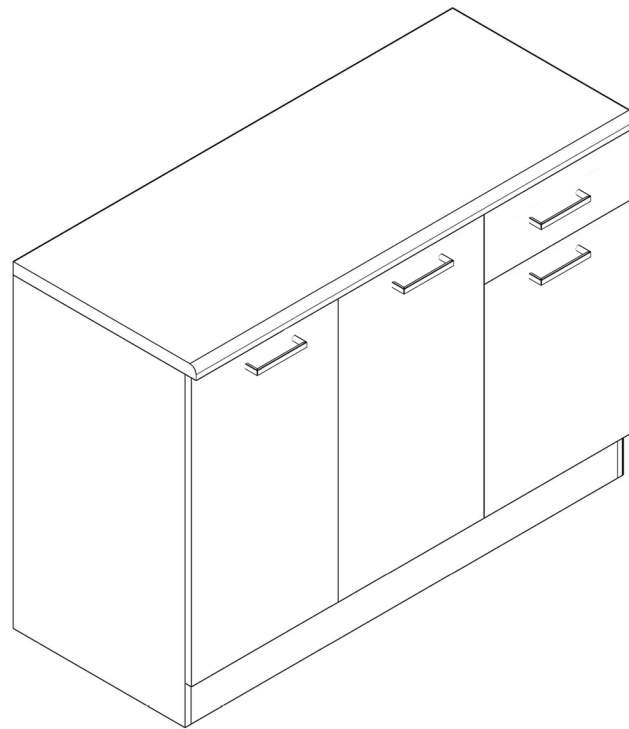
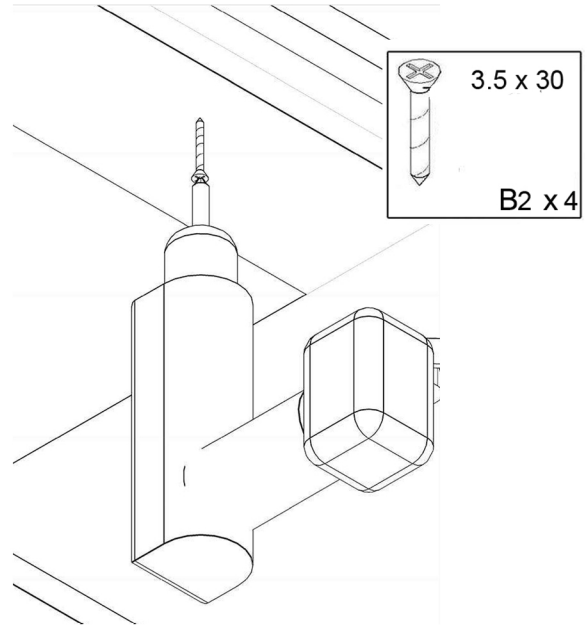
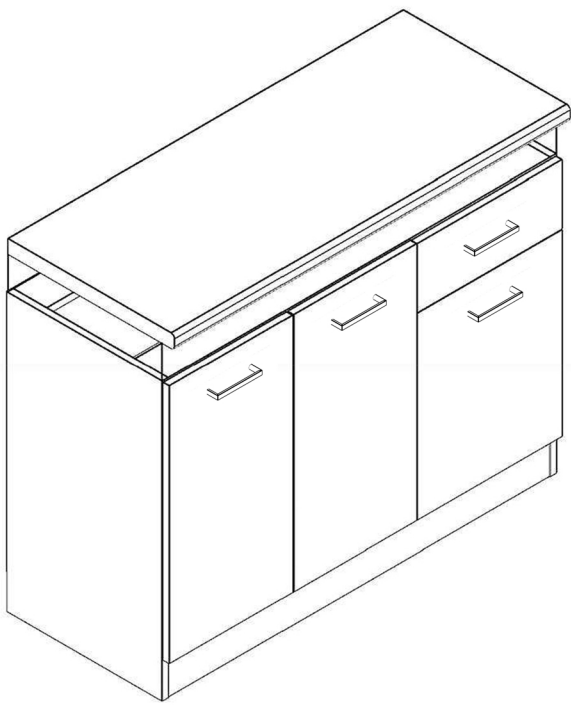


7

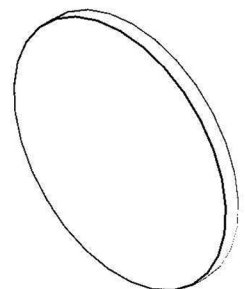
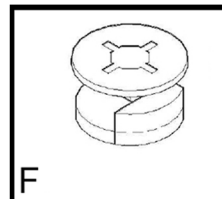
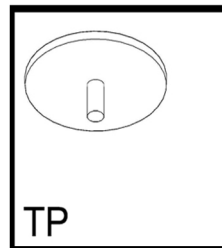
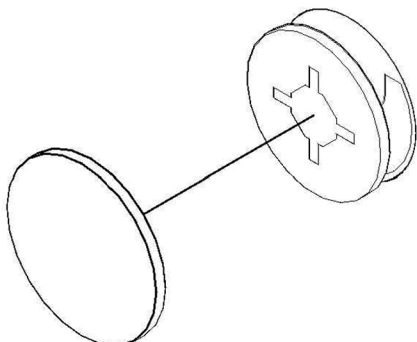


8



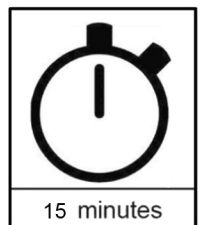
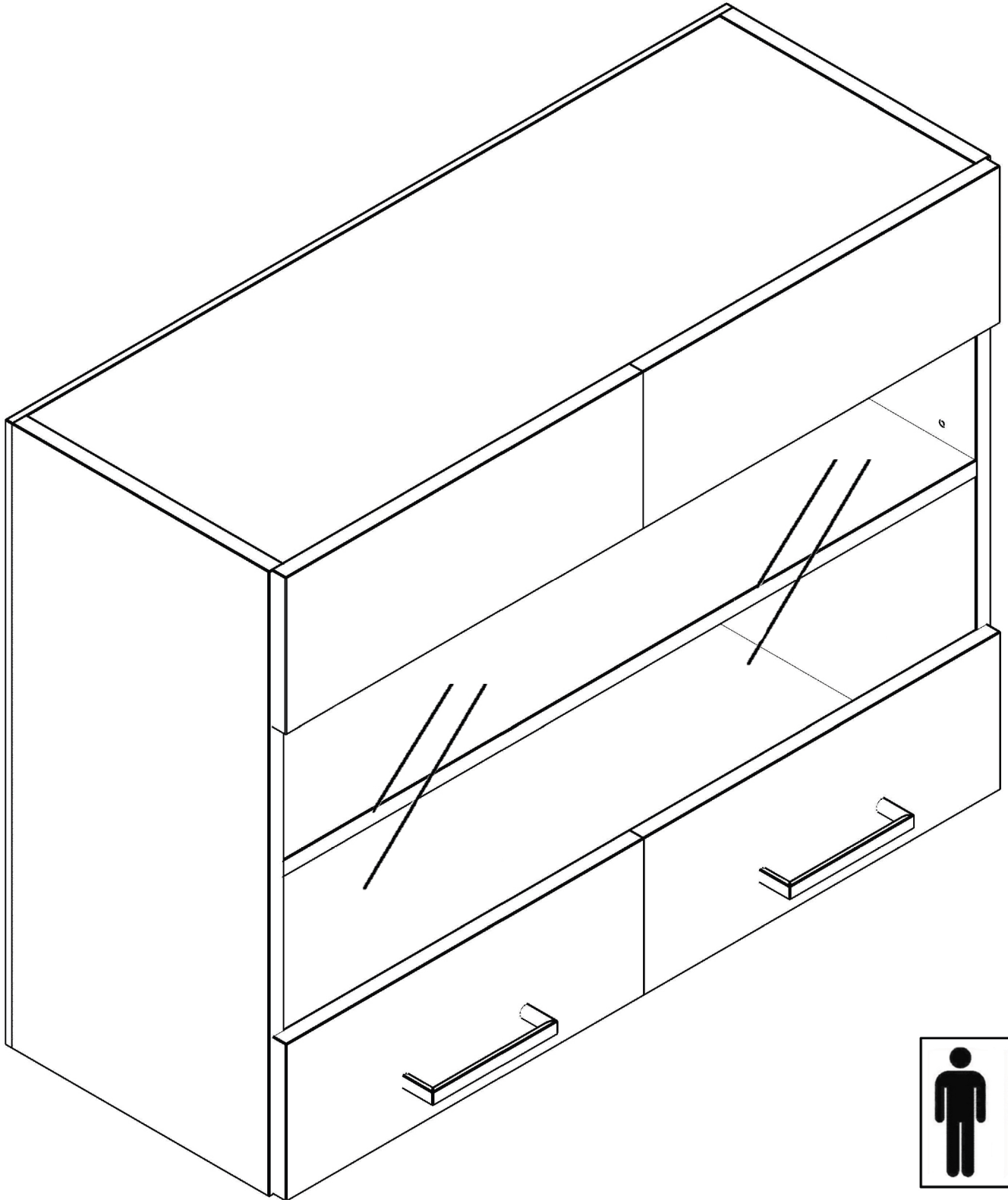


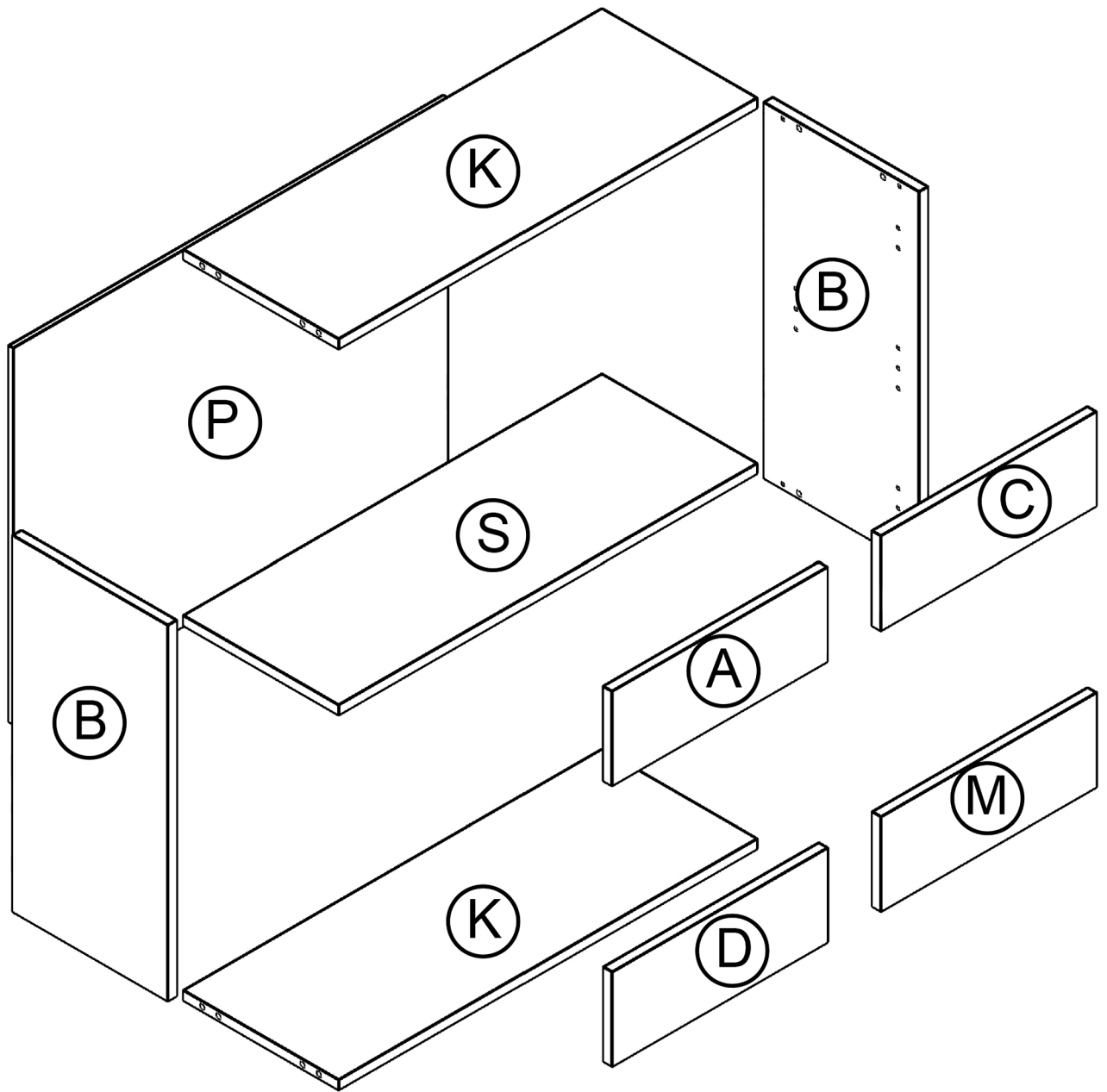
**PLASTIC COVER CAPS FOR SCREWS**



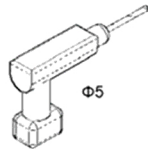
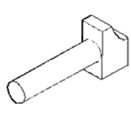
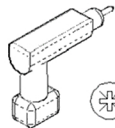
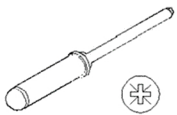


# POL 600B

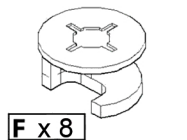




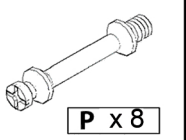
USING TOOLS



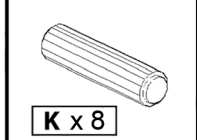
Φ5



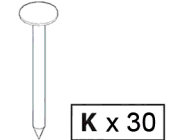
F x 8



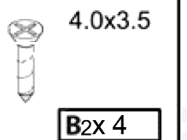
P x 8



K x 8

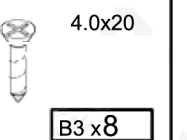


K x 30



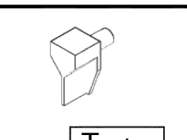
4.0x3.5

B2x 4

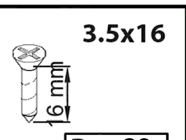


4.0x20

B3x 8

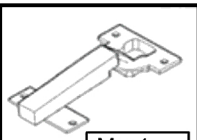


T x 4

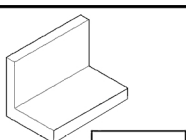


3.5x16

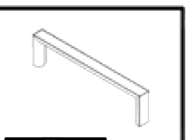
B x 20



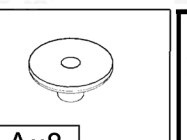
M x 4



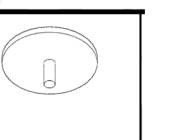
G x 2



PO x 2

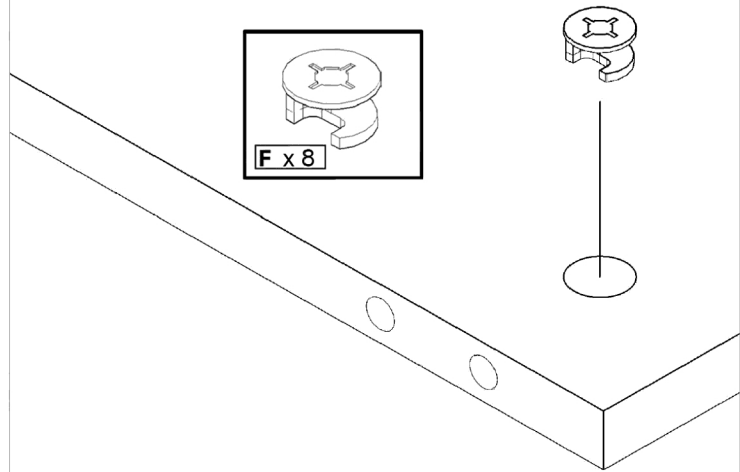
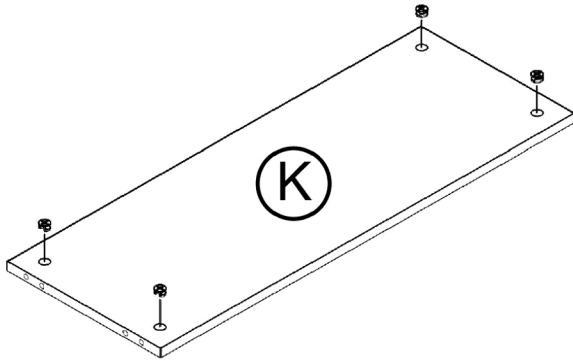


A x 8

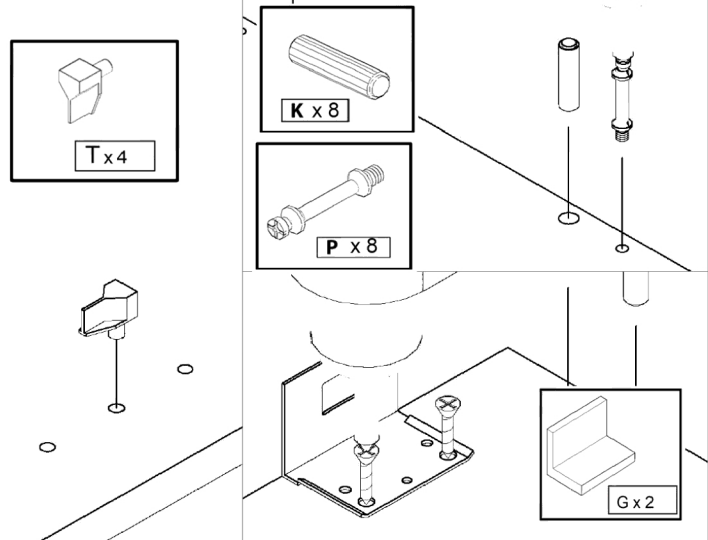
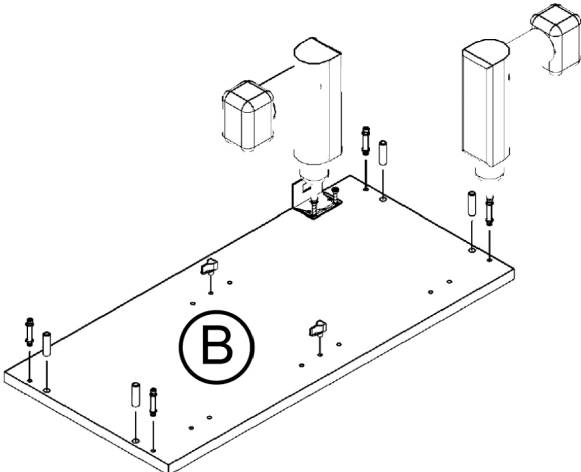


TP x 8

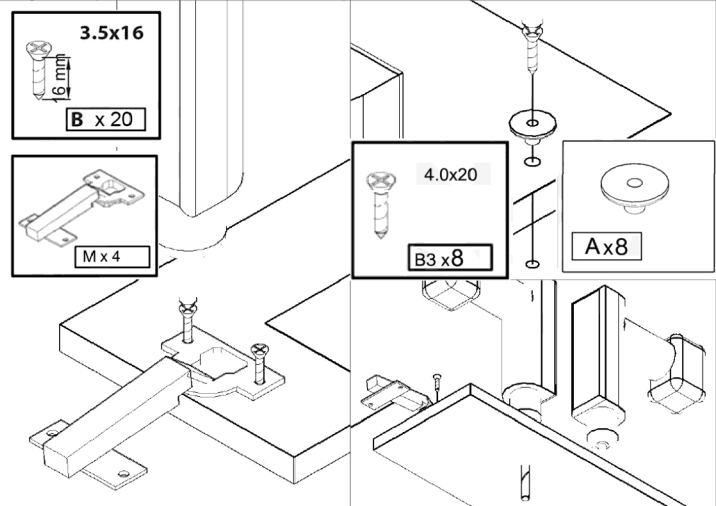
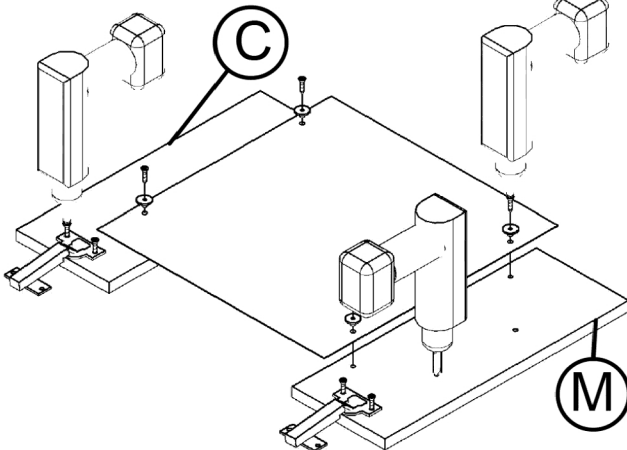
1



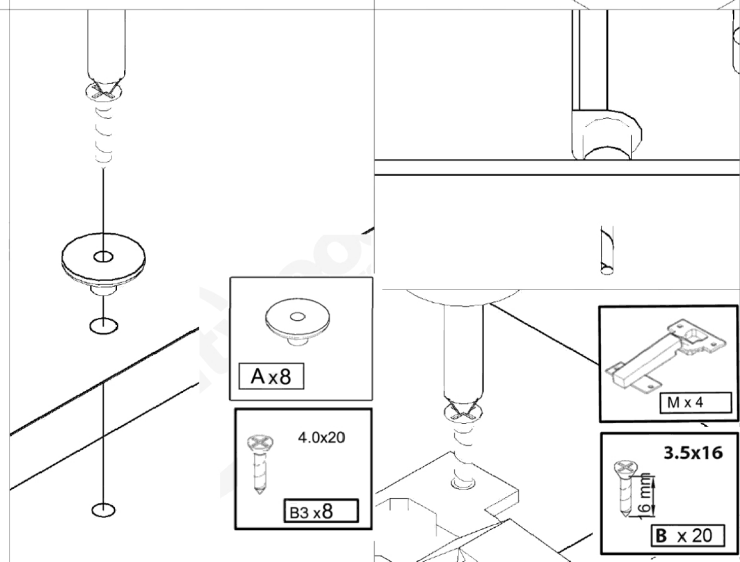
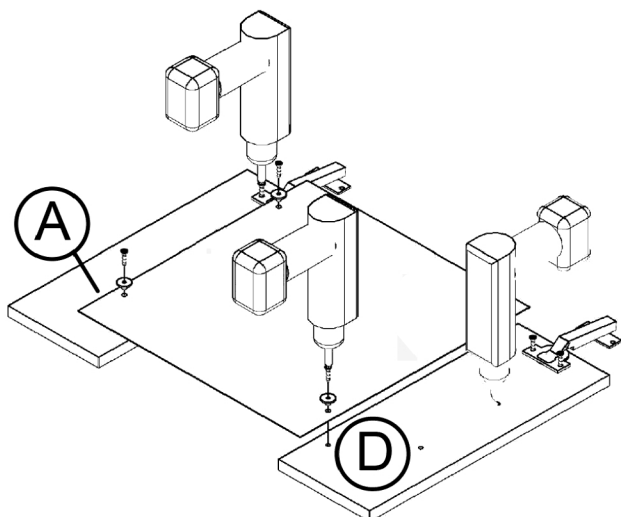
2



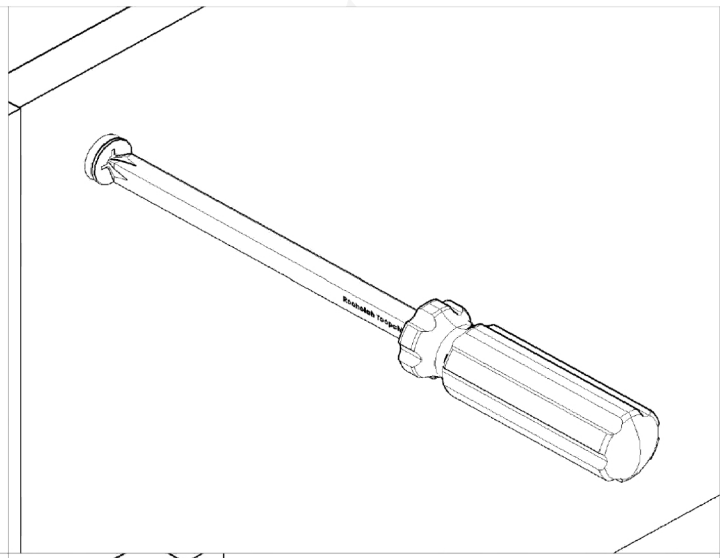
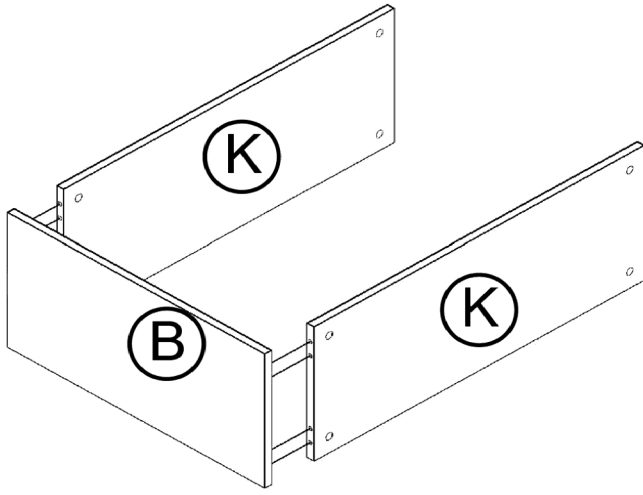
3



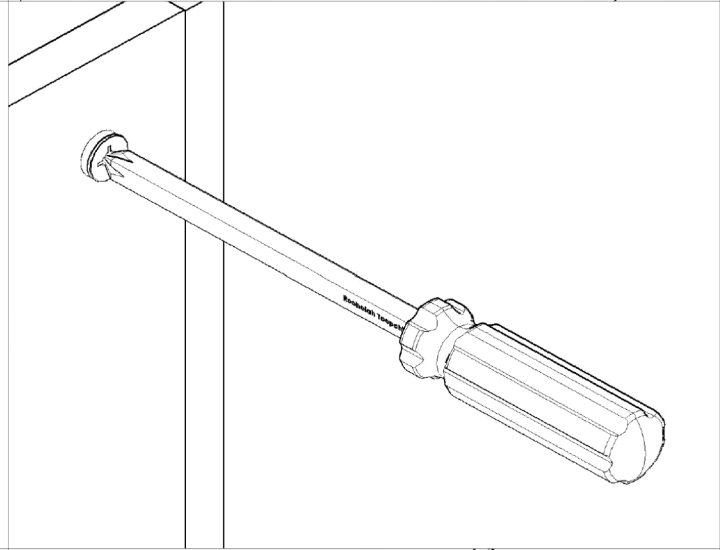
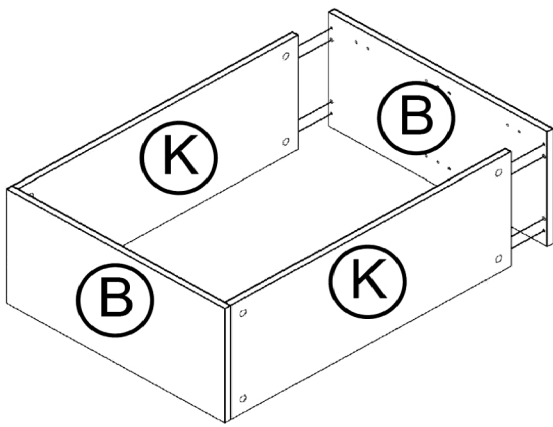
4



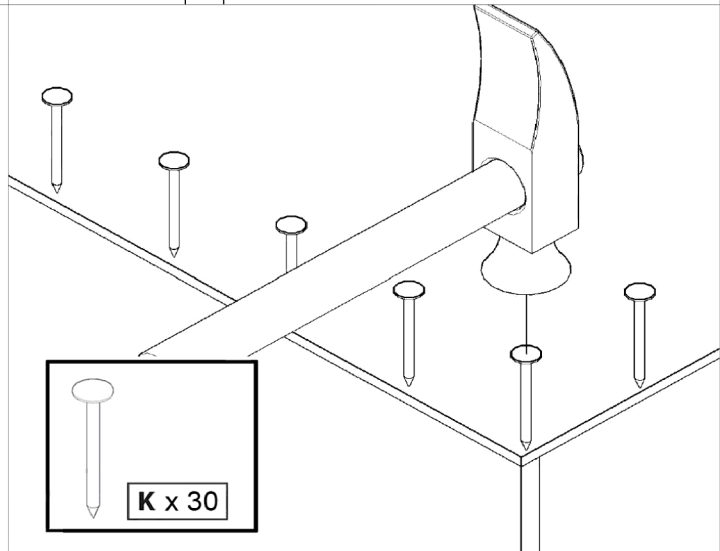
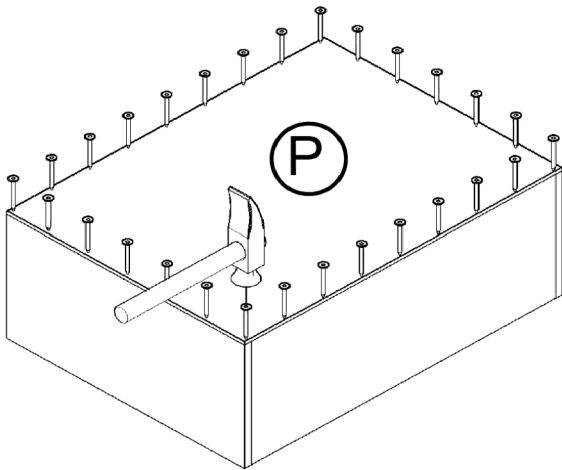
5



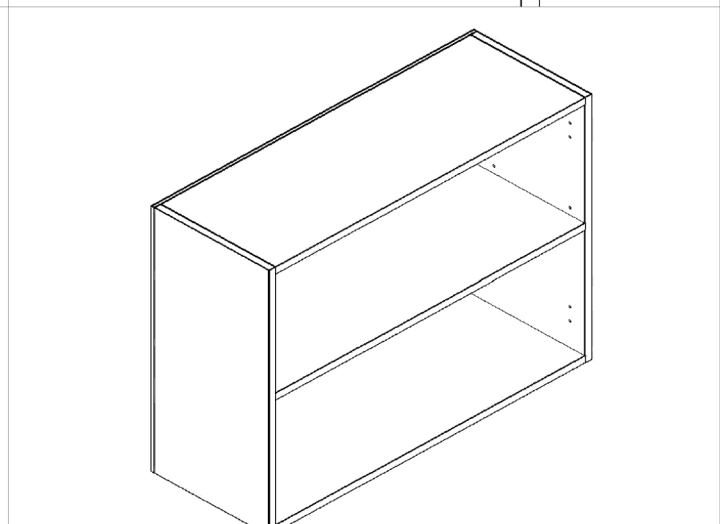
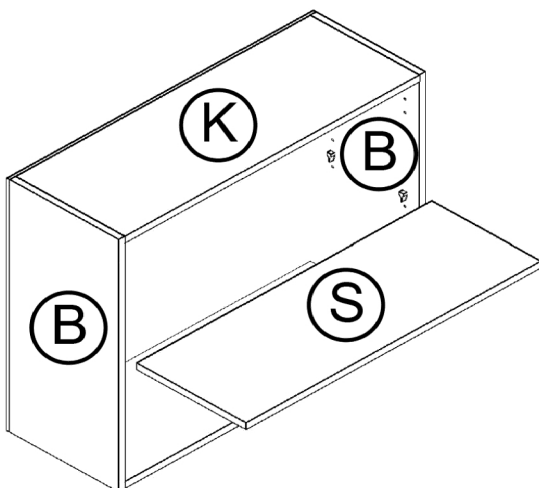
6



7

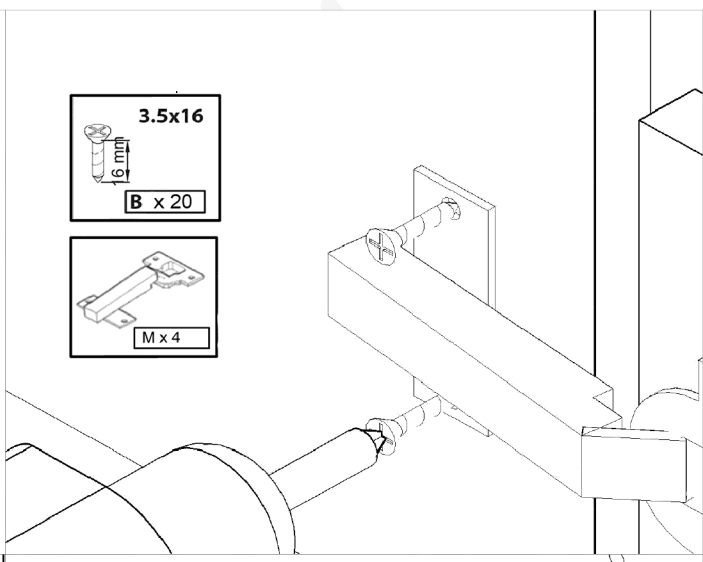
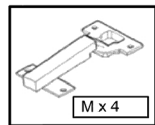
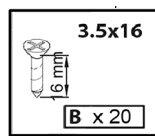
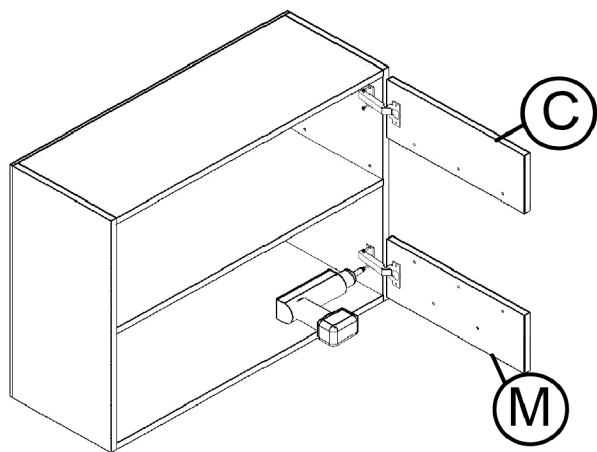


8

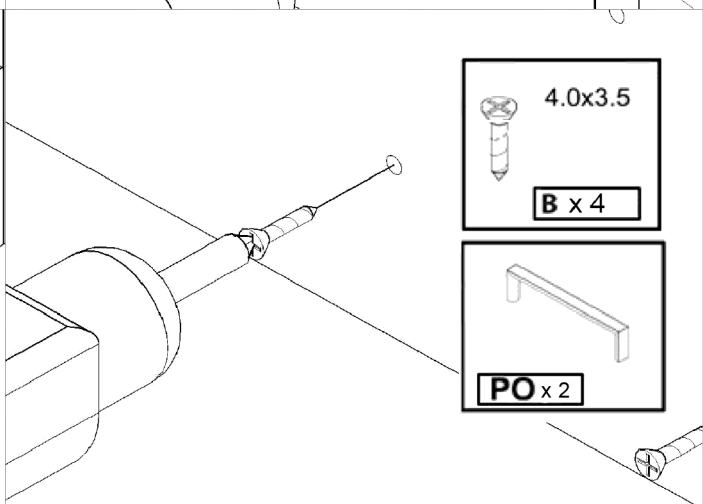
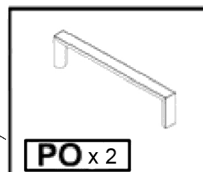
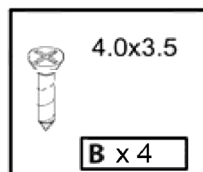
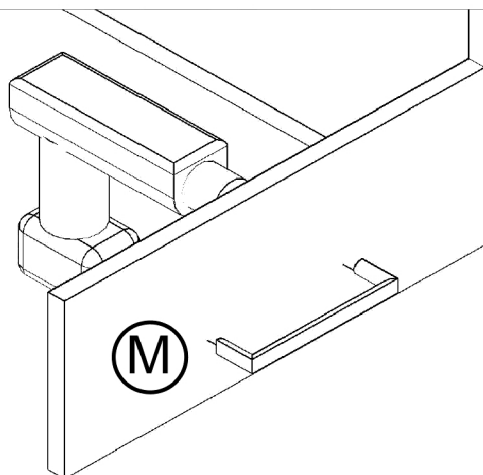




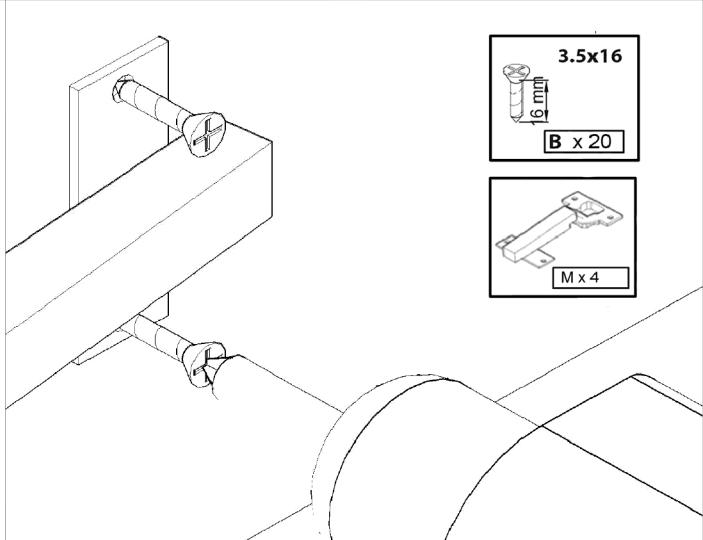
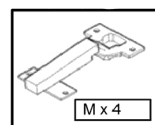
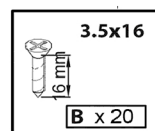
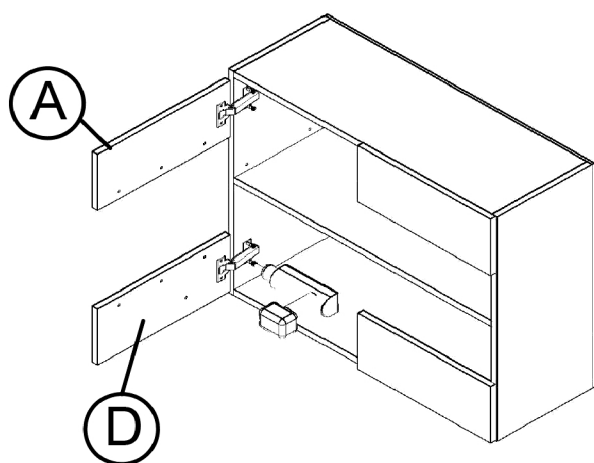
9



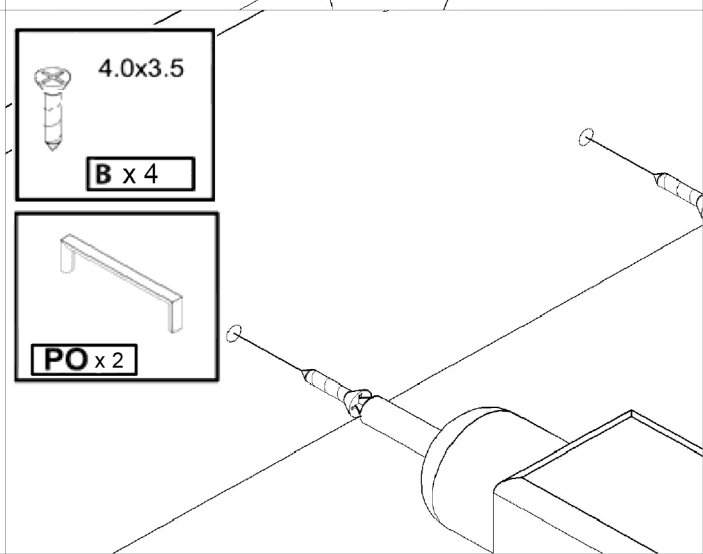
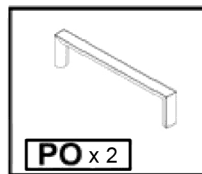
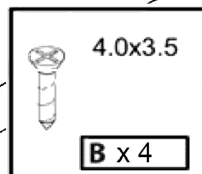
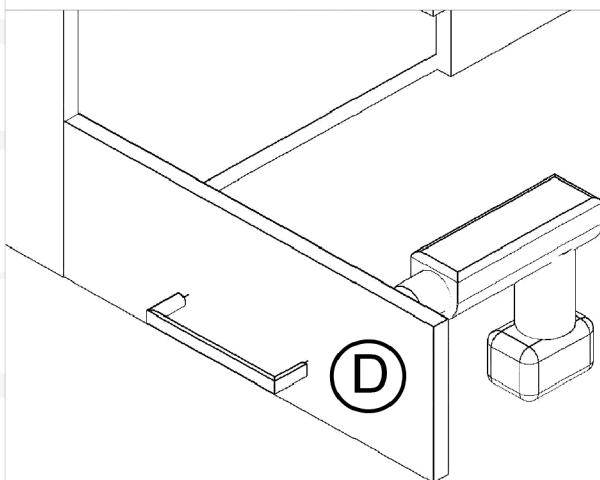
10



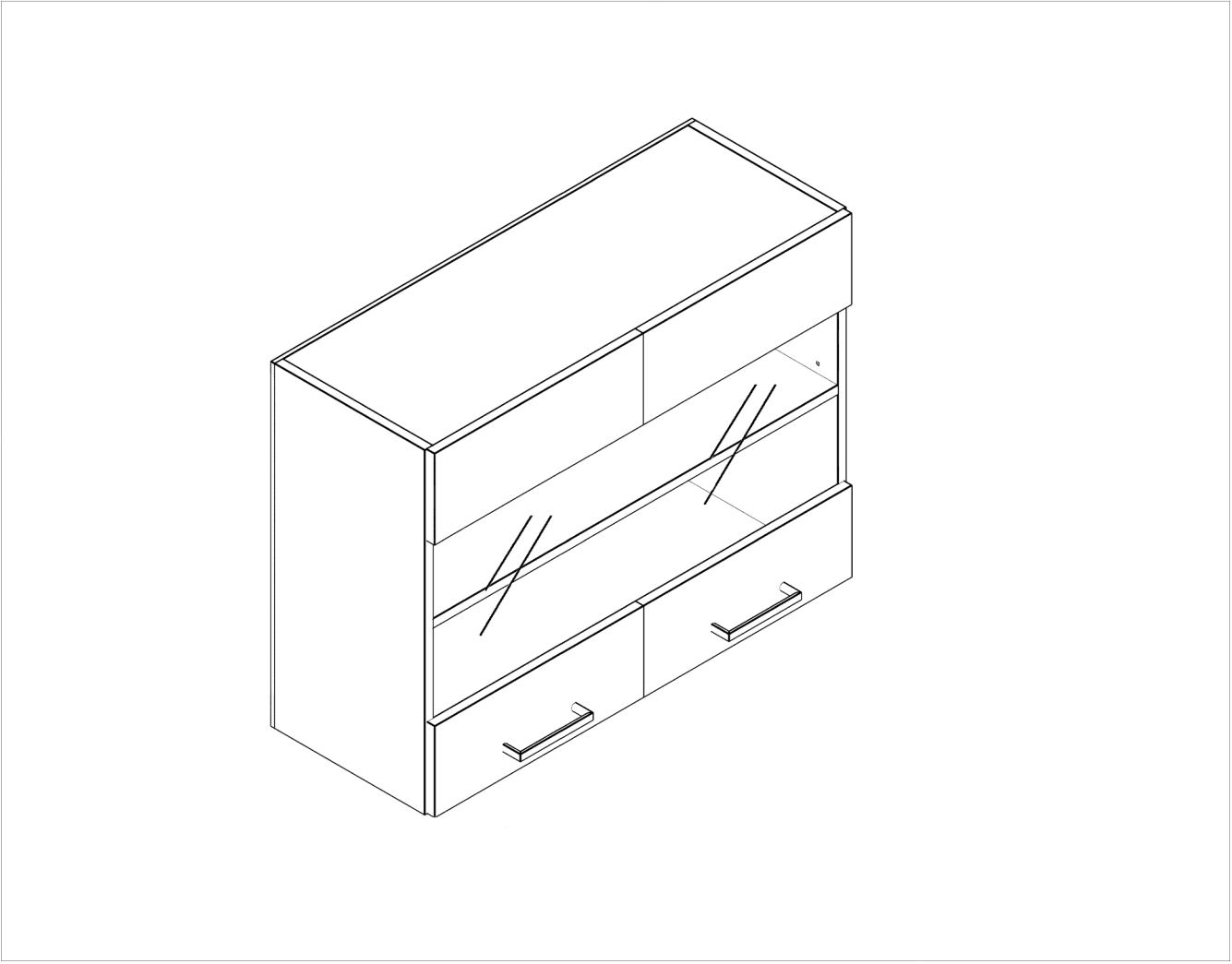
11



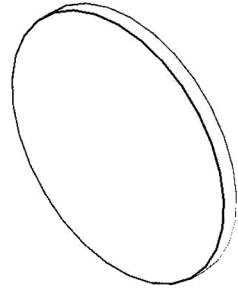
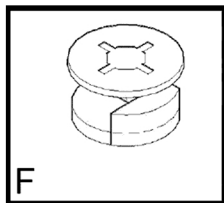
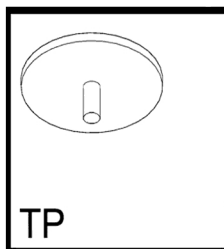
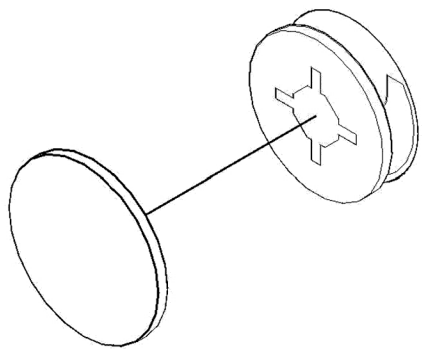
12



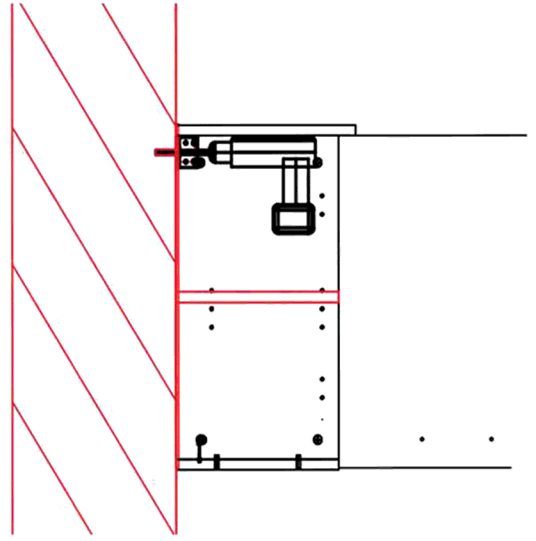
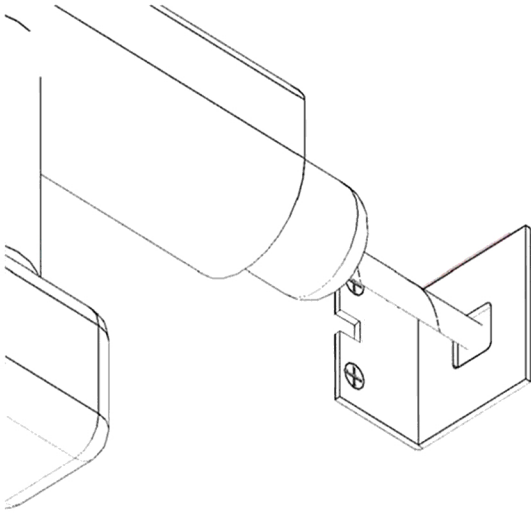




**PLASTIC COVER CAPS FOR SCREWS**



**A**



**B**

