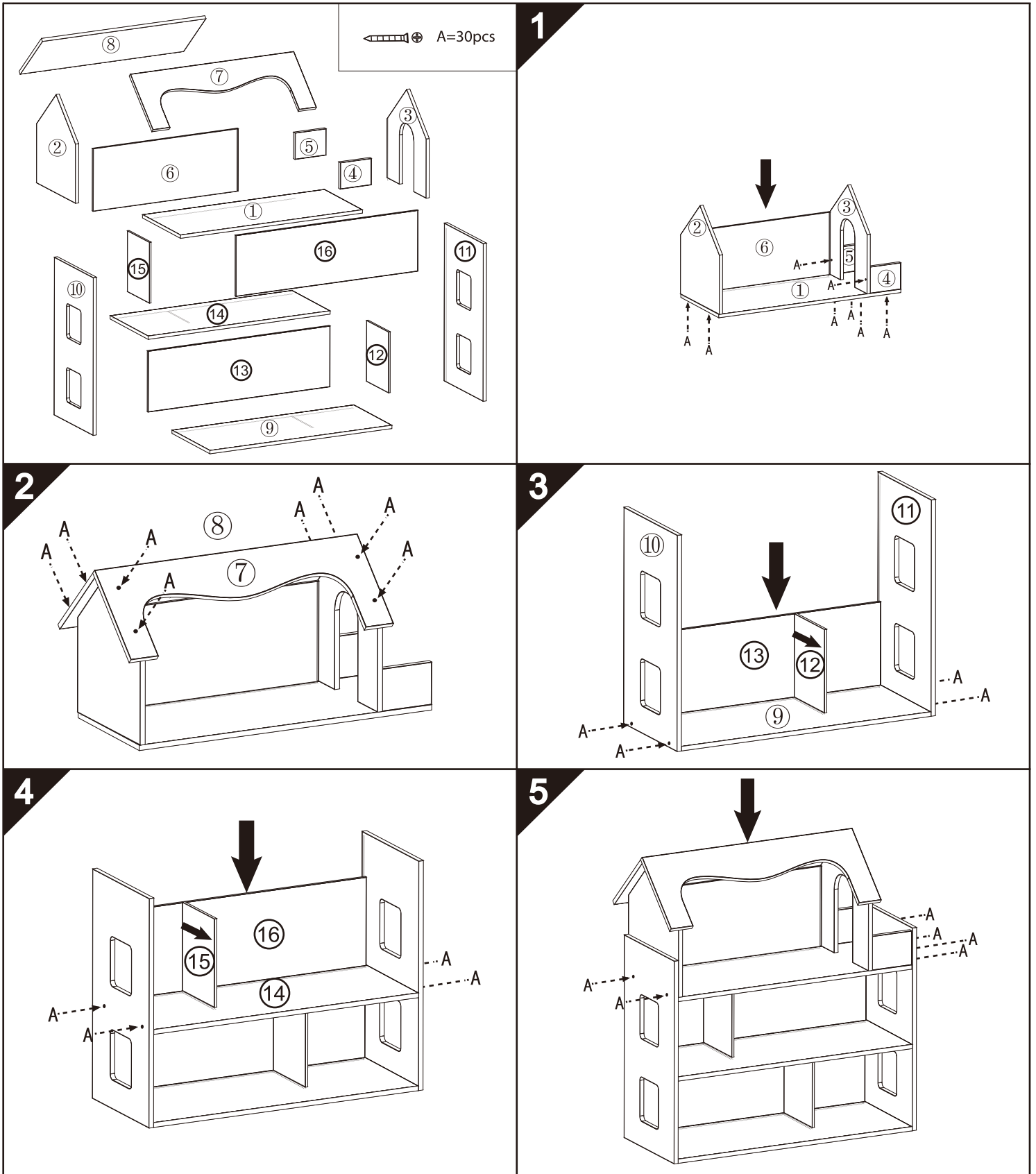


# wooden doll house

## Assembly instructions

Please retain this information for future reference



**WARNING:**

**ADULT ASSEMBLY REQUIRED.** Product includes small parts with potentially hazardous sharp points and sharp edges in the unassembled state. Keep unassembled parts away from children.

**WARNING: CHOKING HAZARD.** Small parts and sharp points, not suitable for children under 3 years.

**WARNING:** If used improperly, your toys may be pulled over or fall, creating risk of injury or damage. To minimize this risk, We recommend that you use a fixed accessories.

