

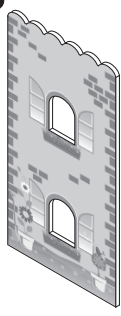

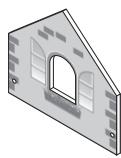
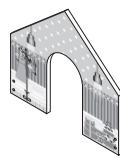
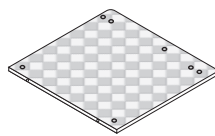
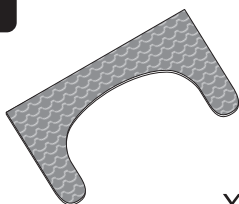
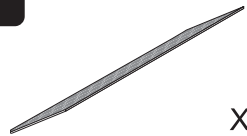
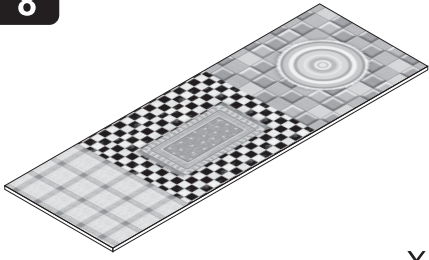
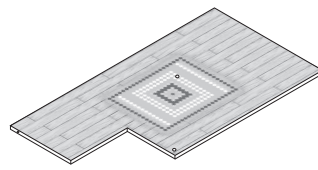
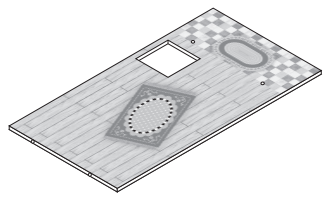
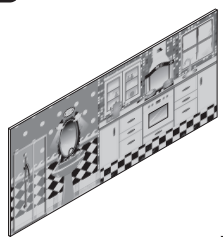
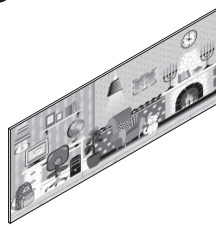
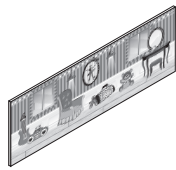





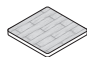
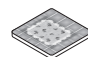







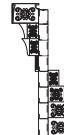
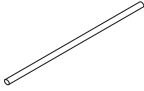

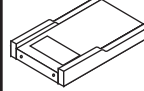
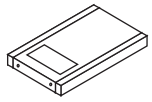
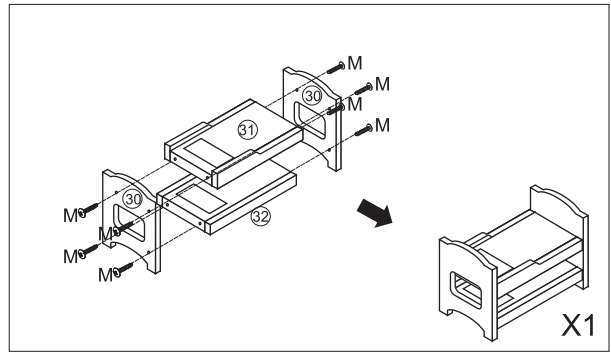
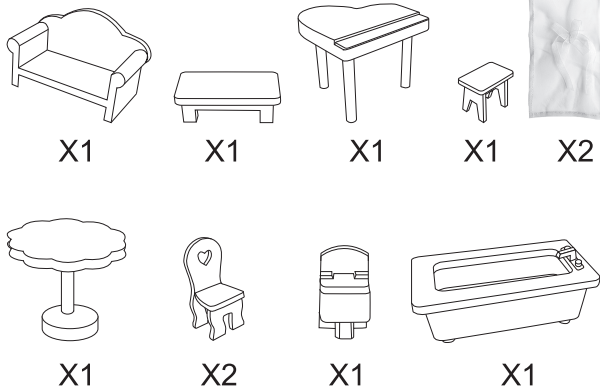
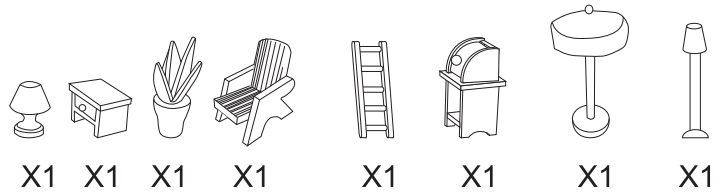
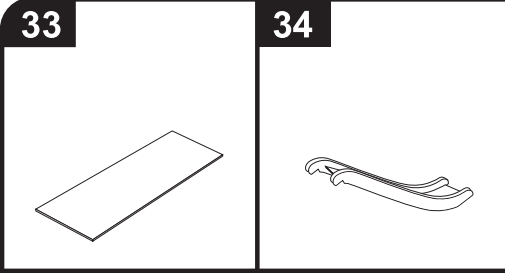


Assembly Instruction

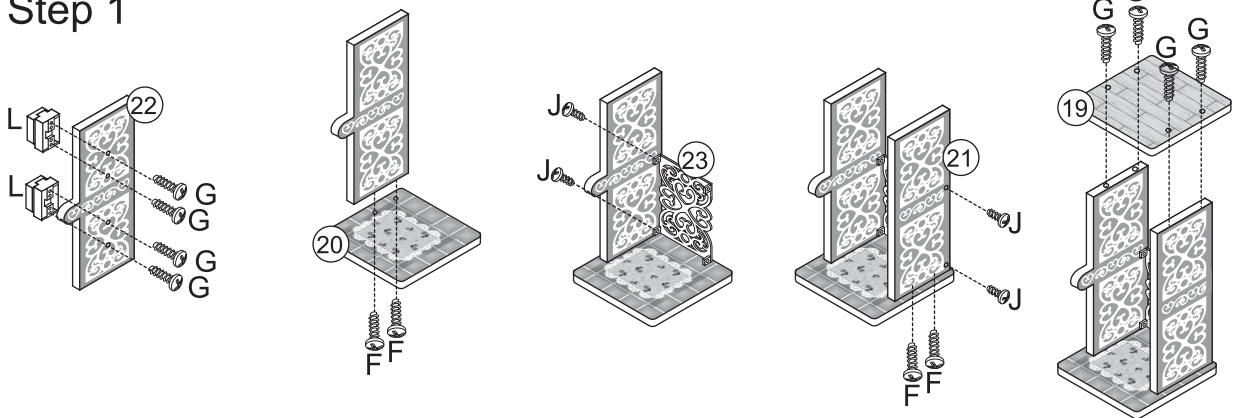
Parts List:

| | | | | | | | | | |
|---|---|---|---|---|--|---|---|---|---|
| A Green 42mm X2 | B Pink 42mm X7 | C 42mm X2 | D 28mm X14 | E Pink 28mm X1 | F 24mm X5 | G Pink 24mm X26 | H X2 | I X2 | |
| J Pink 16mm X4 | K 14mm X8 | L X2 | M White 28mm X8 |  X1 | The following tool (not included) is required for assembly:  | | | | |
| 1  X1 | 2  X1 | 3  X1 | 4  X1 | 5  X1 | 6  X1 | 7  X1 | | | |
| 8  X1 | 9  X1 | 10  X1 | | | | | | | |
| 11  X1 | 12  X1 | 13  X1 | 14  X1 | 15  X4 | | | | | |
| 16  X1 | 17  X1 | 18  X1 | 19  X1 | 20  X1 | 21  X1 | 22  X1 | | | |
| 23  X1 | 24  X1 | 25  X2 | 26  X4 | 27  X2 | 28  X1 | 29  X1 | 30  X2 | 31  X1 | 32  X1 |

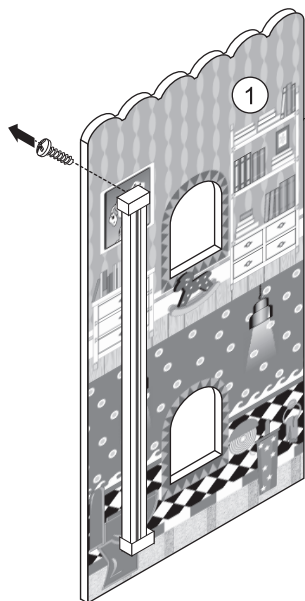
Assembly Instruction



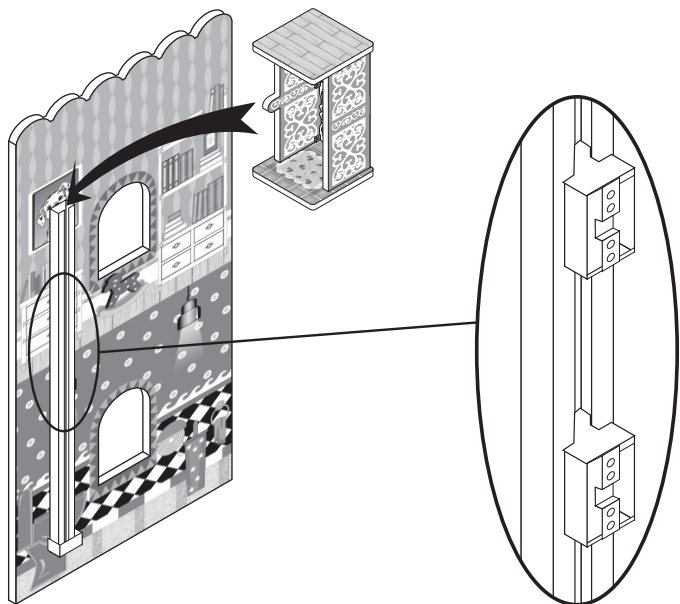
Step 1



Step 2

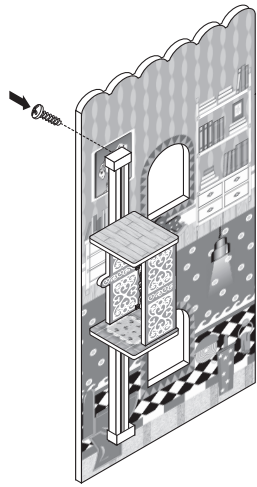


Step 3

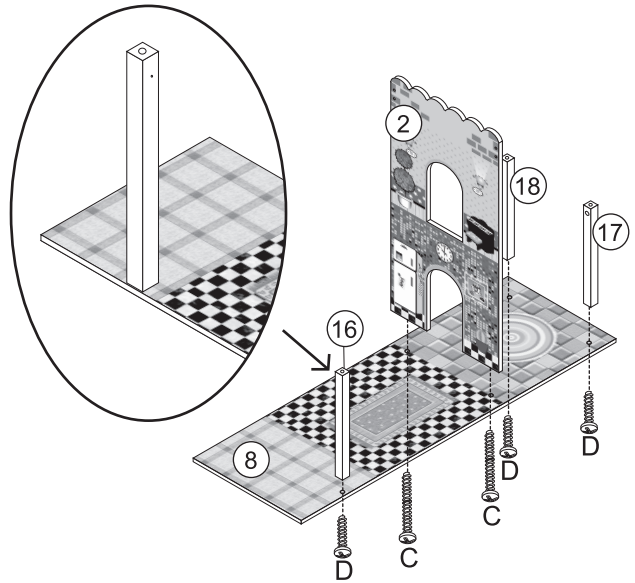


Assembly Instruction

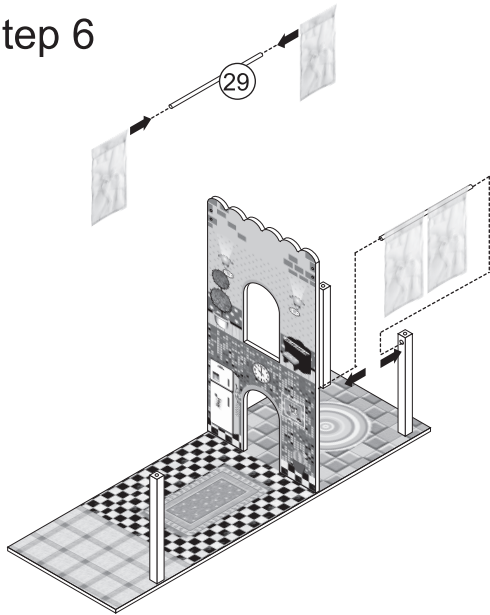
Step 4



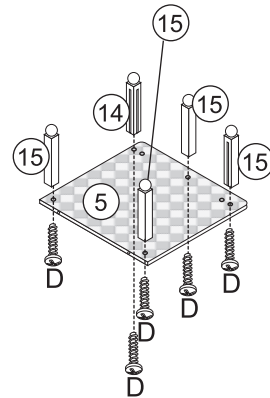
Step 5



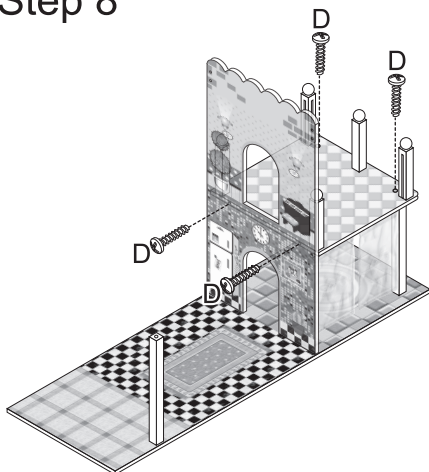
Step 6



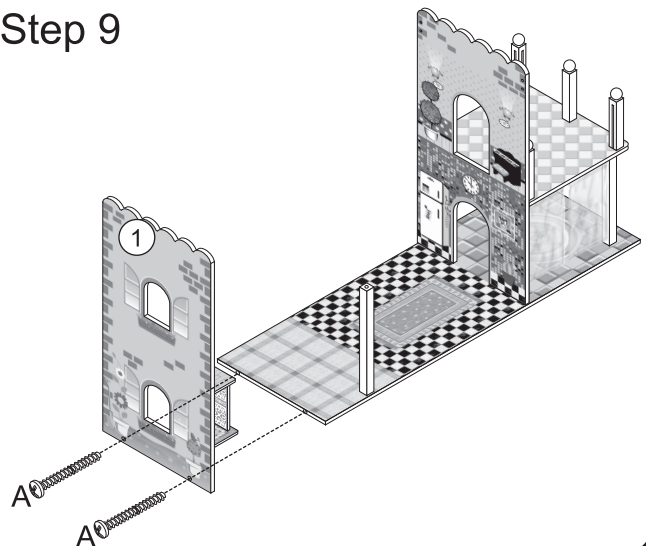
Step 7



Step 8

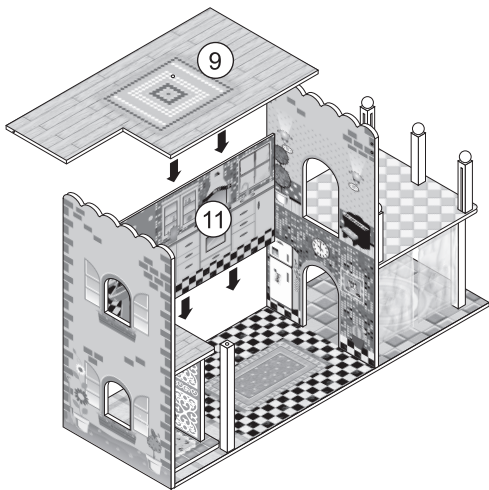


Step 9

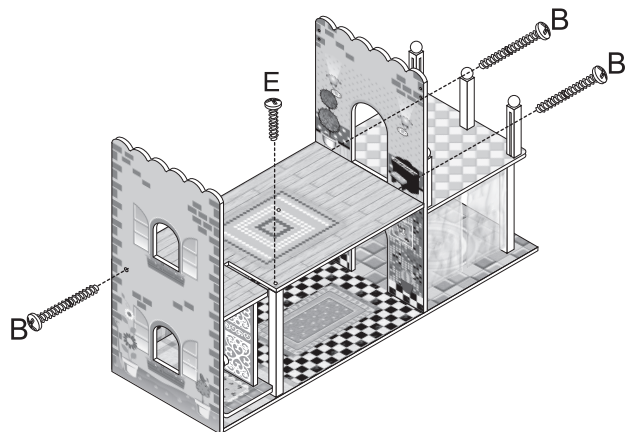


Assembly Instruction

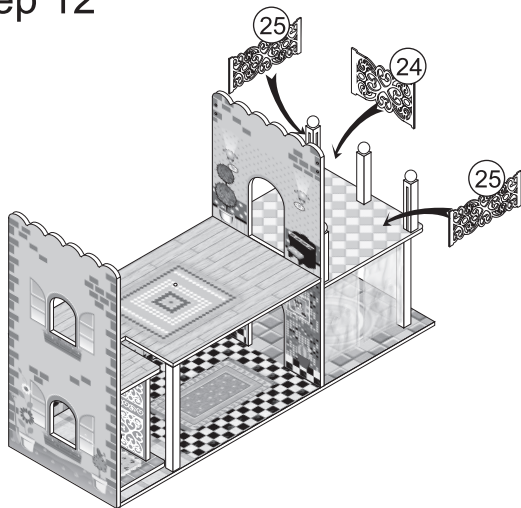
Step 10



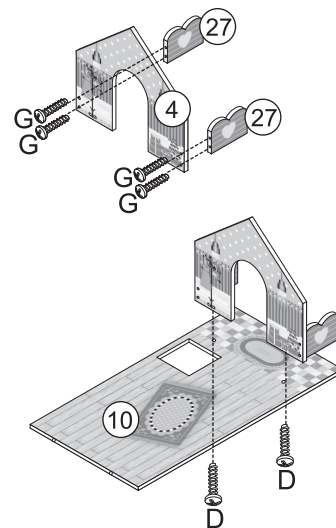
Step 11



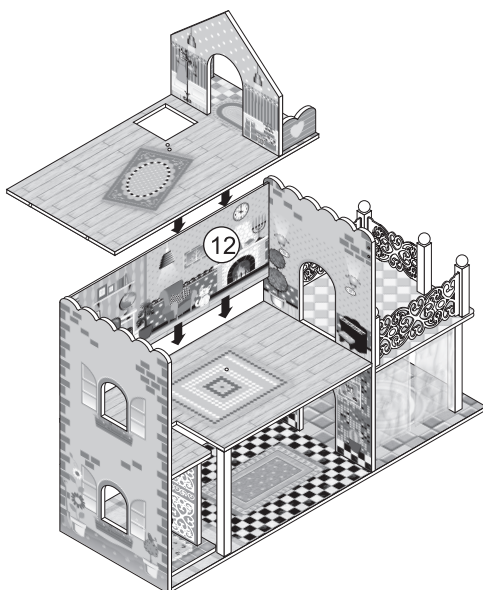
Step 12



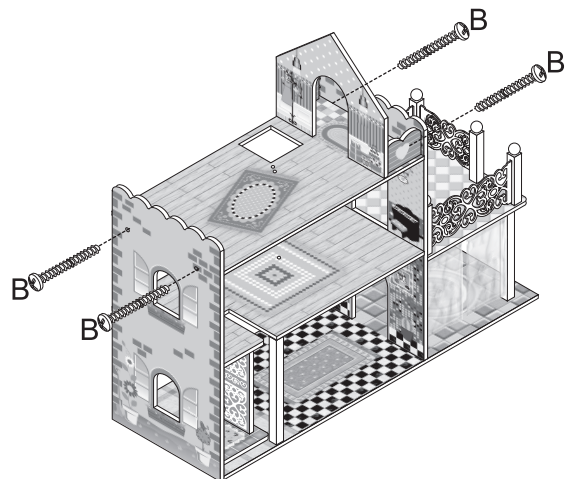
Step 13



Step 14

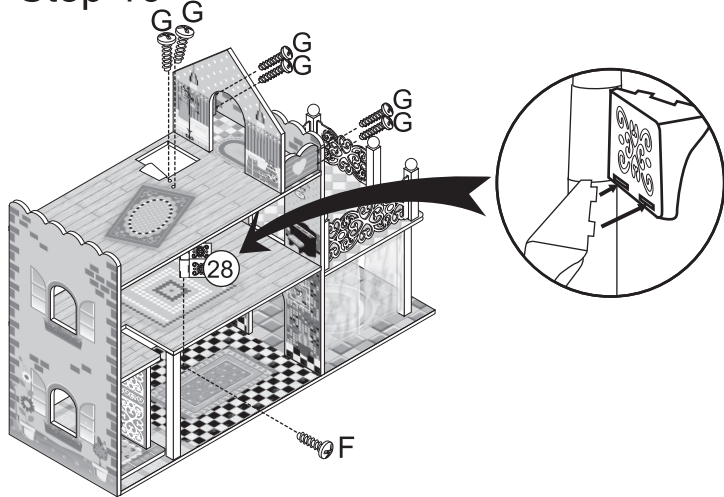


Step 15

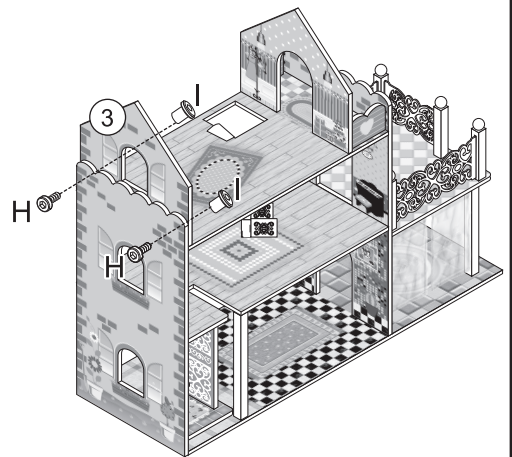


Assembly Instruction

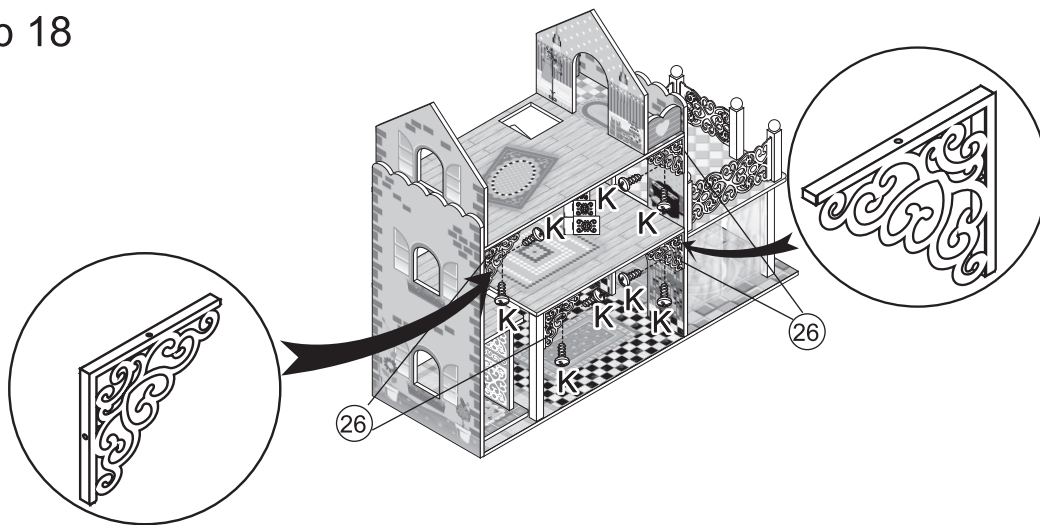
Step 16



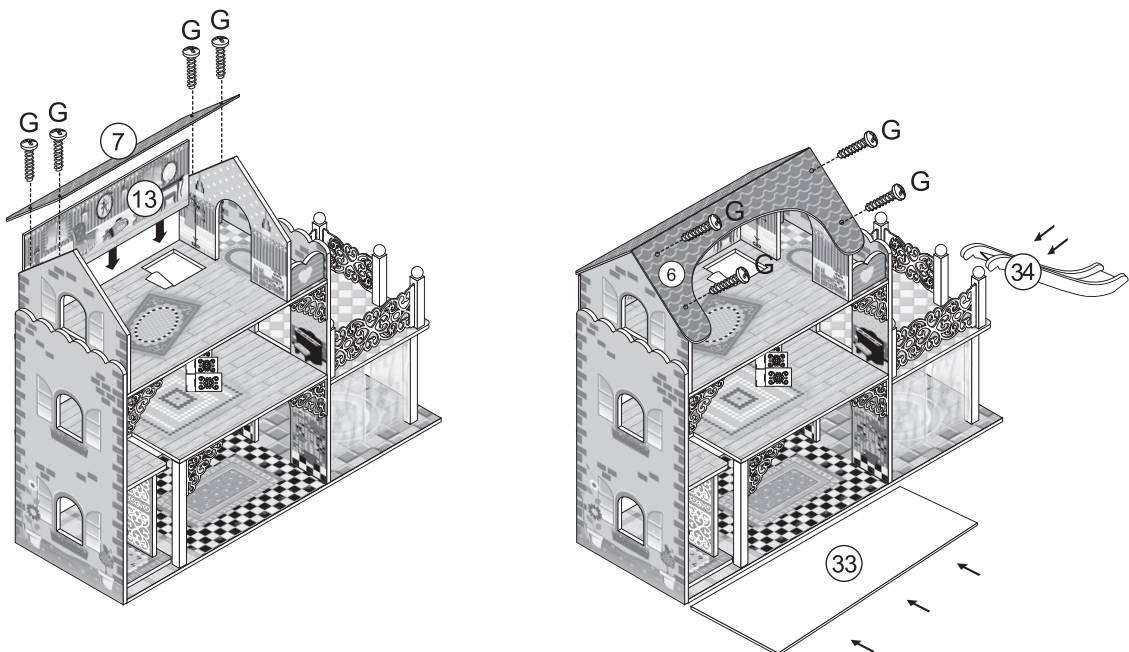
Step 17



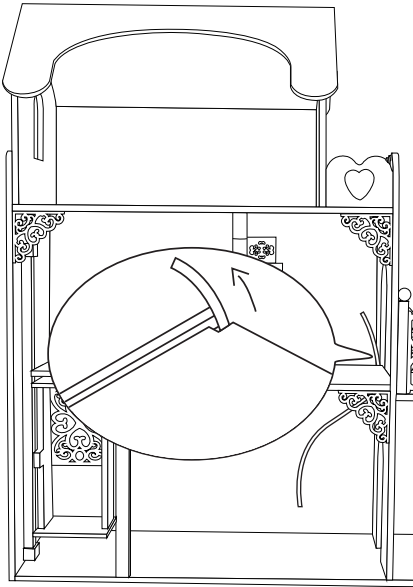
Step 18



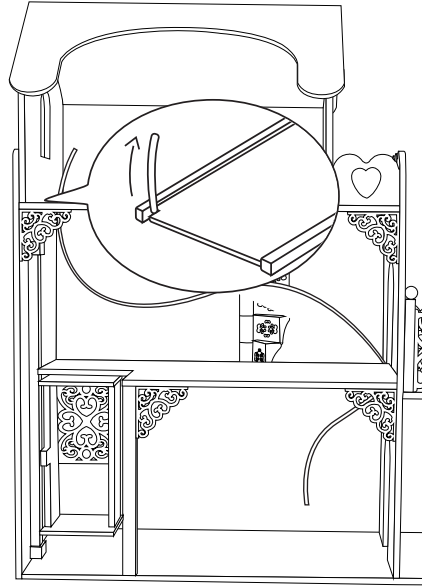
Step 19



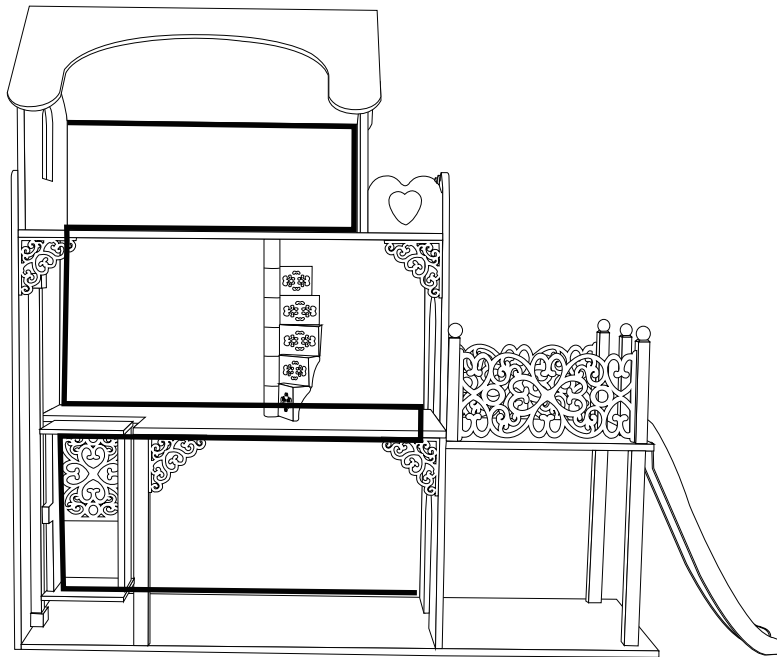
Step 20



Step 21



Step 22



Caution: Adult assembly required.
Hardware contains small screws
with sharp points. Keep unassembled
parts out of the reach of small children.

Use and maintenance:
- Use on level surfaces only
- Please check assembly at regular intervals,
and frequently tighten hardware if necessary.
If maintenance is not carried out, the product
could cease to function properly.

Warning: Choking Hazard
Unassembled parts may be
a choking hazard to children
3 years and younger.

Warning: To avoid danger of suffocation,
keep any bag or packaging away from
babies and children. Any packaging or
bag is not part of the toy and must be
discarded immediately before assembly
of the toy.