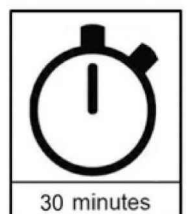
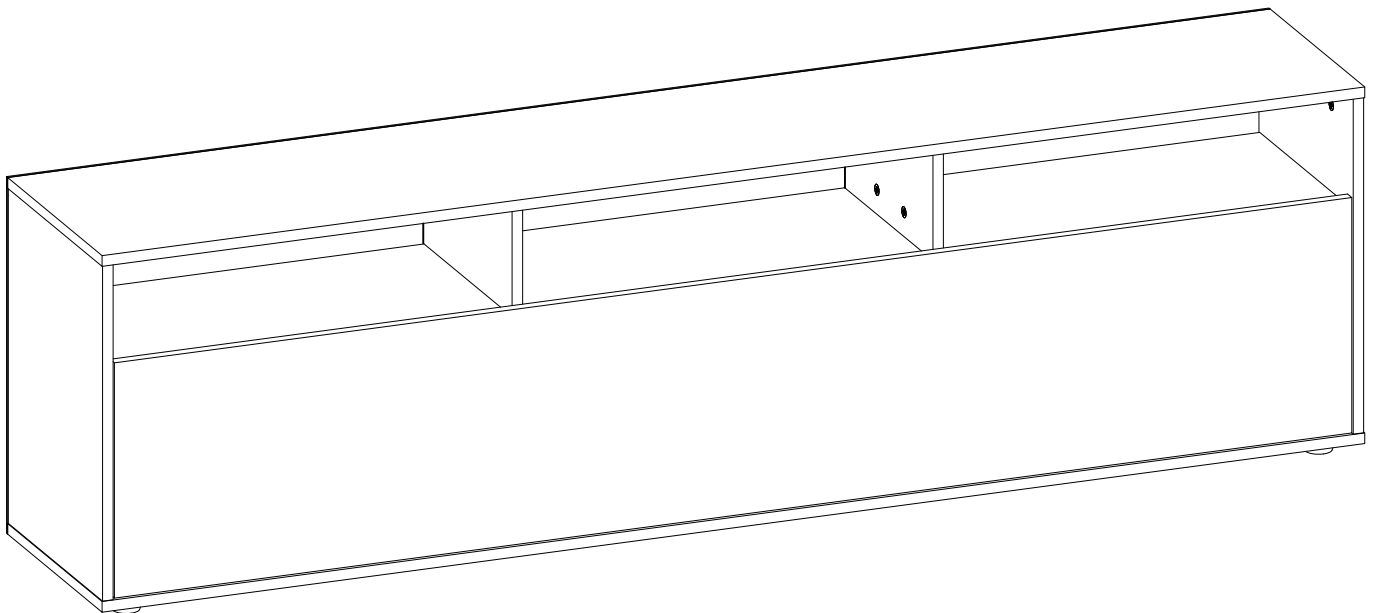
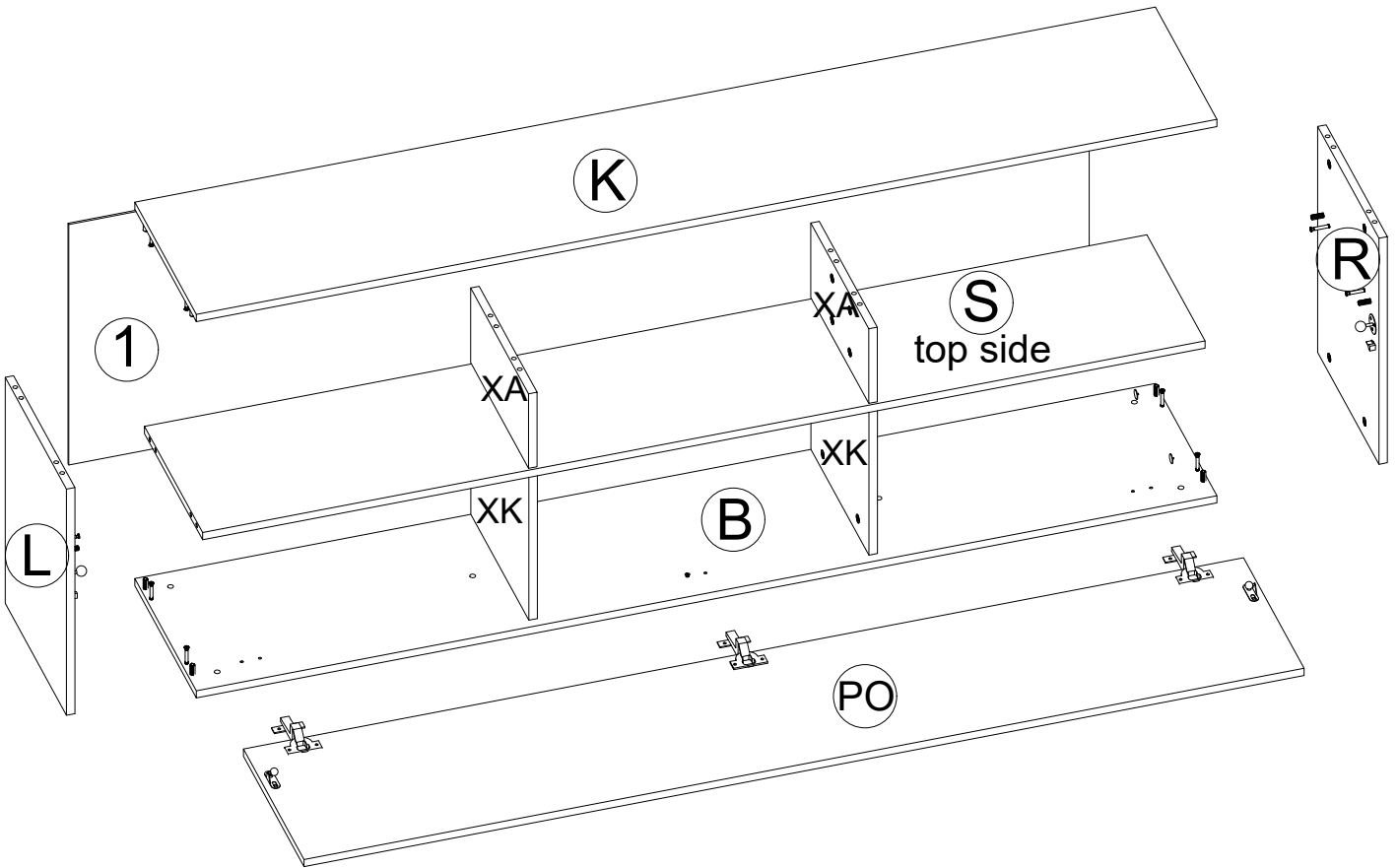
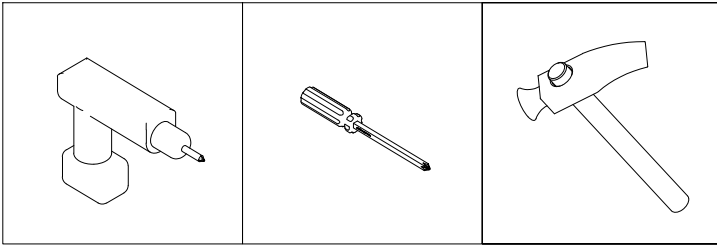
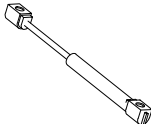
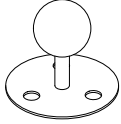
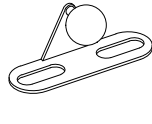
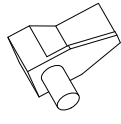
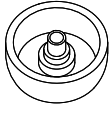
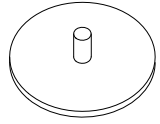
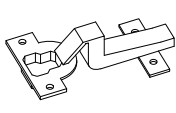
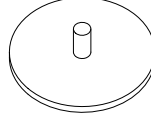
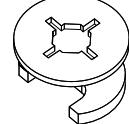
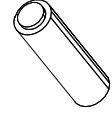





GRK176

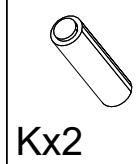
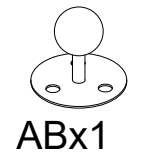
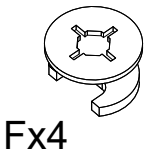
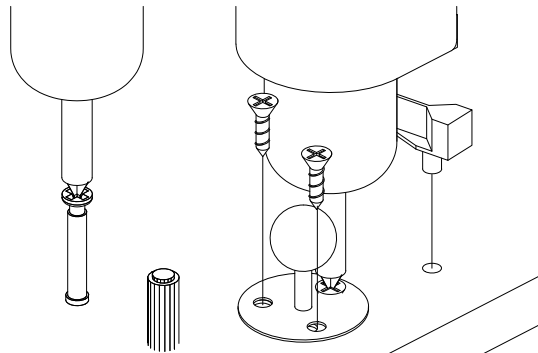
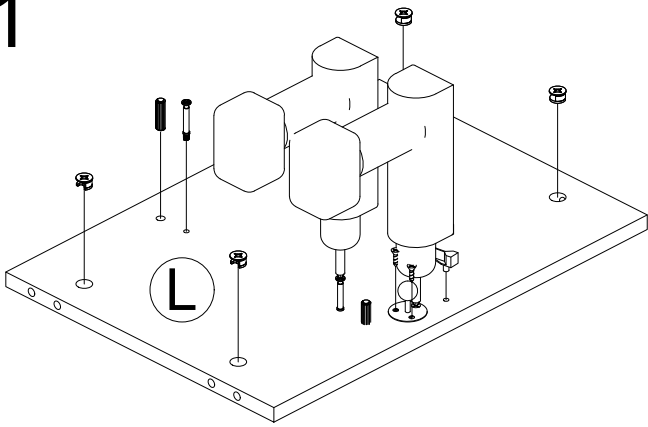


USING TOOLS

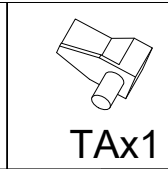
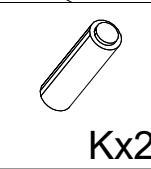
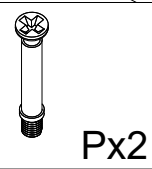
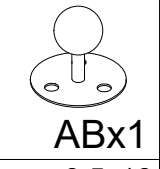
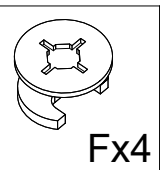
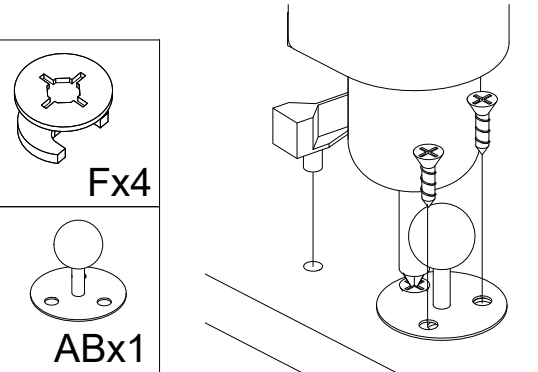
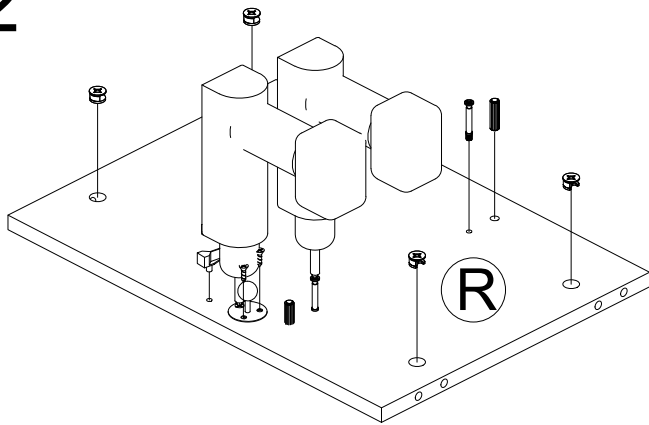


 Ax2	 ABx2	 ACx2	 TAx2	 Fx6	 TX28	
 Mx3	 TX28	 Fx28	 Kx28	 Px28	 Vx22	 PRx40

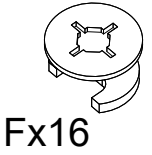
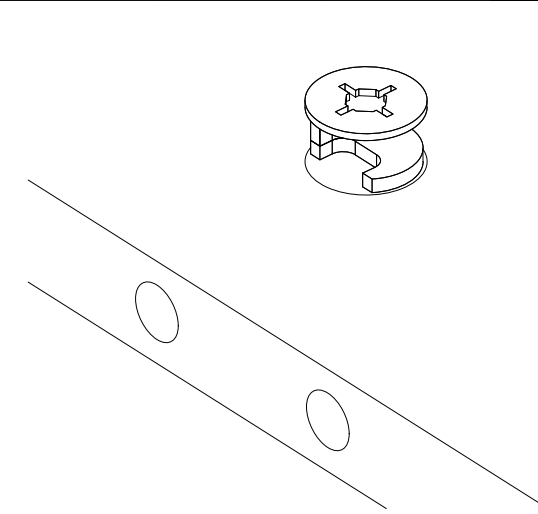
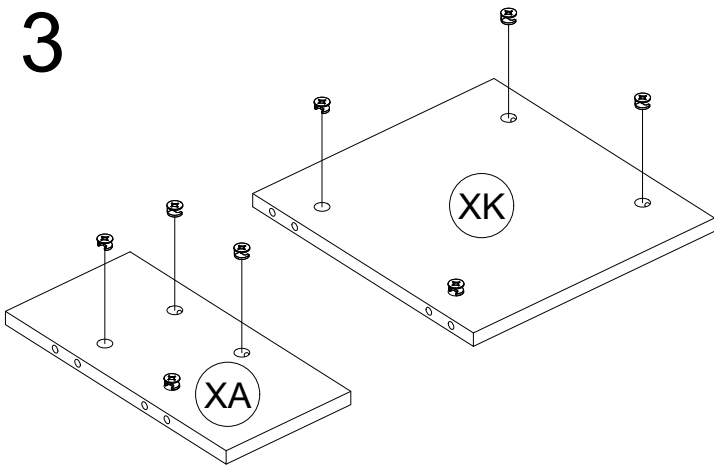
1



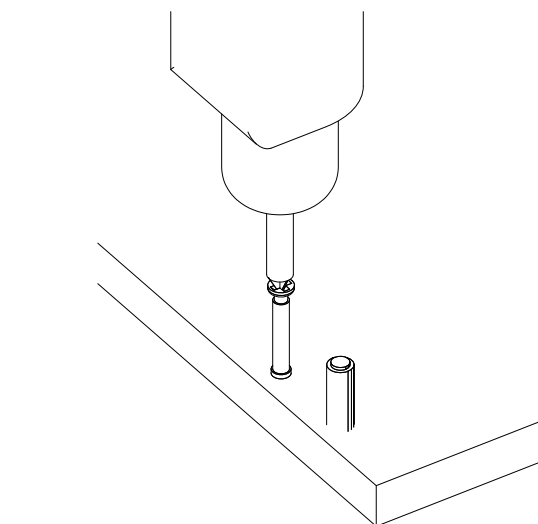
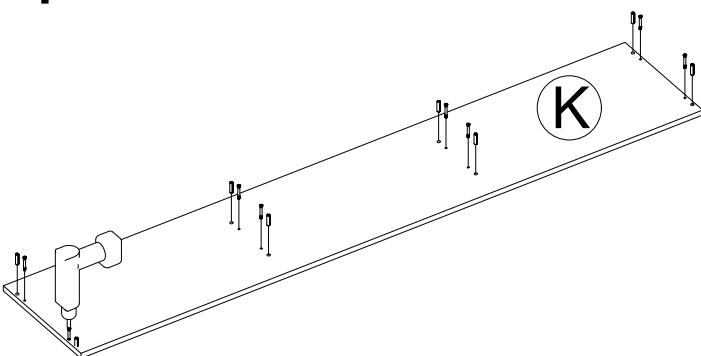
2



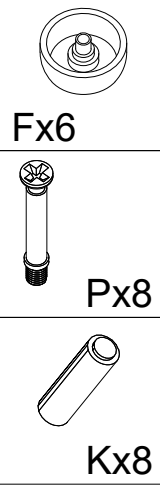
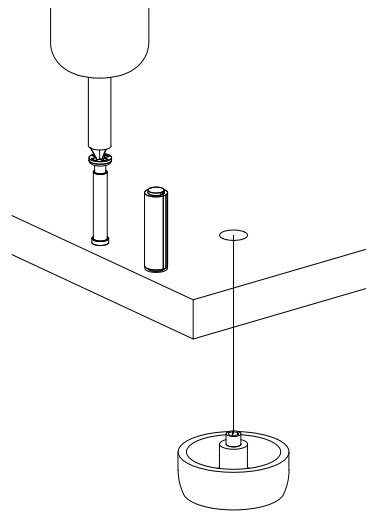
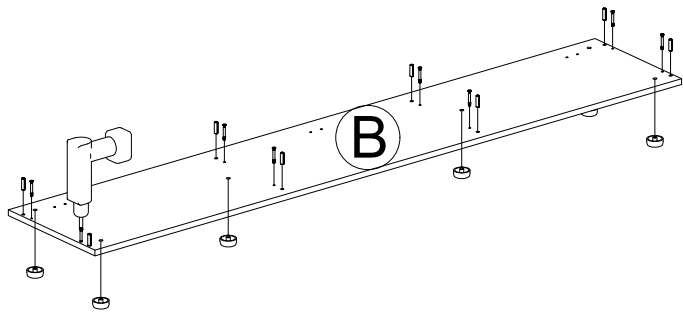
3



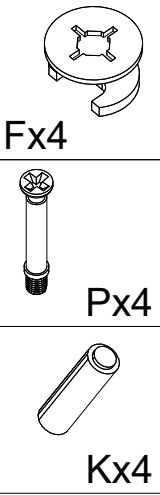
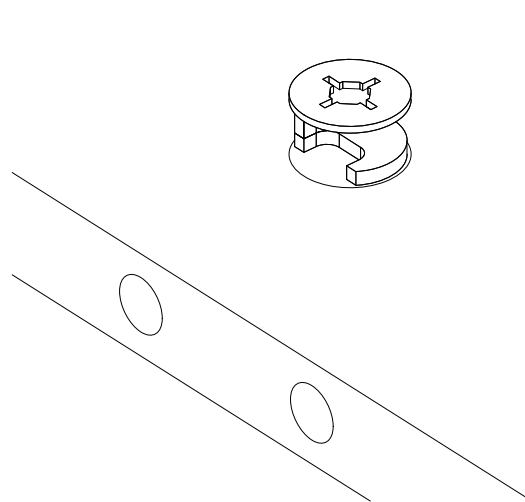
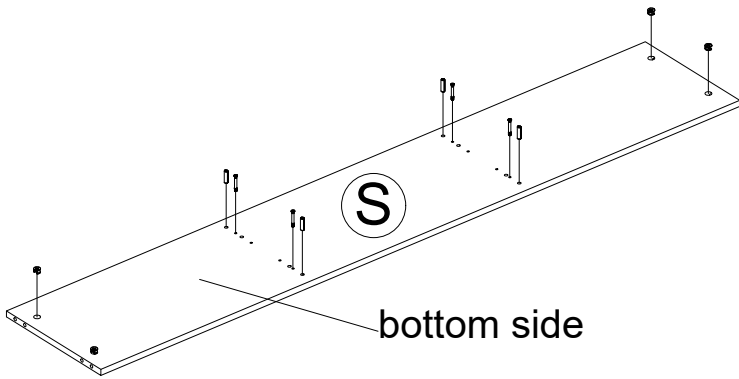
4



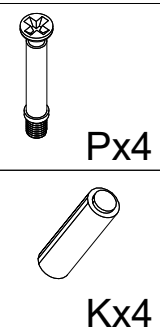
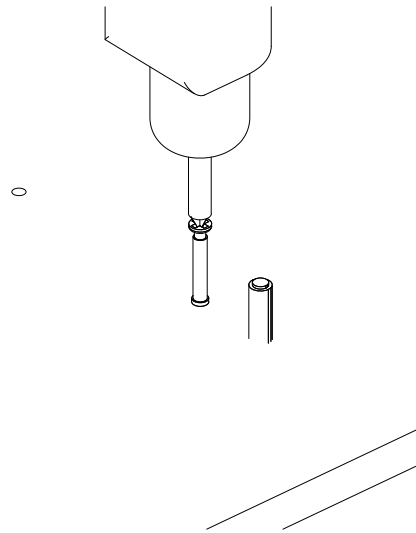
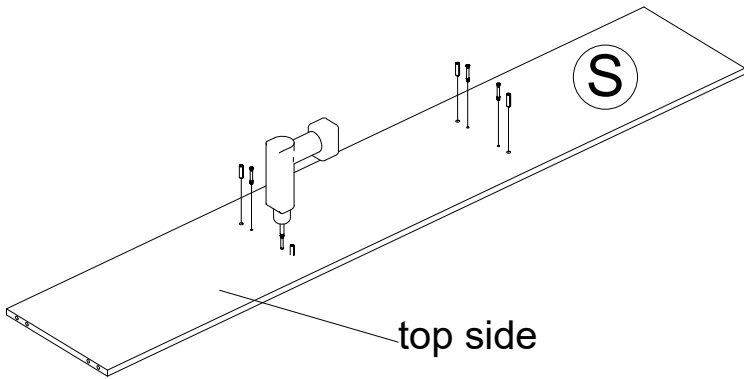
5



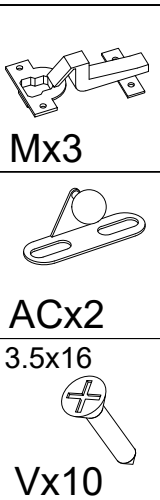
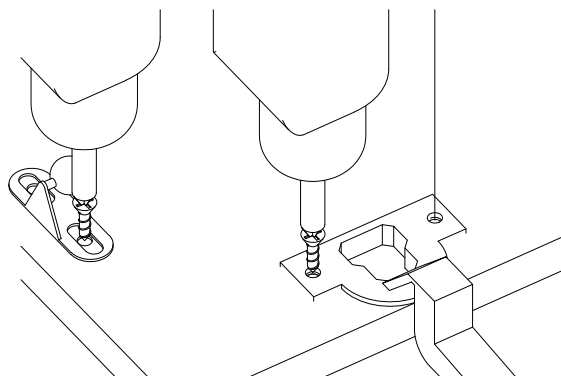
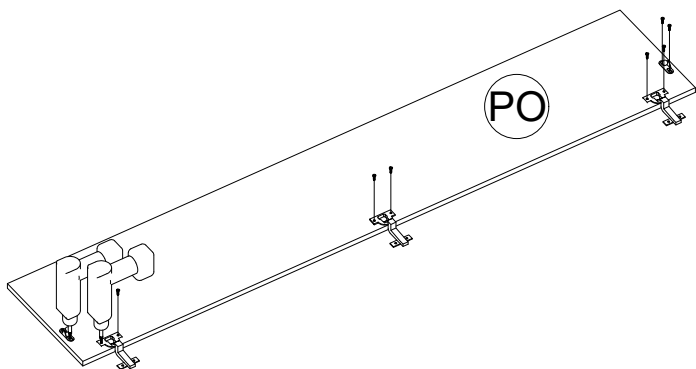
6



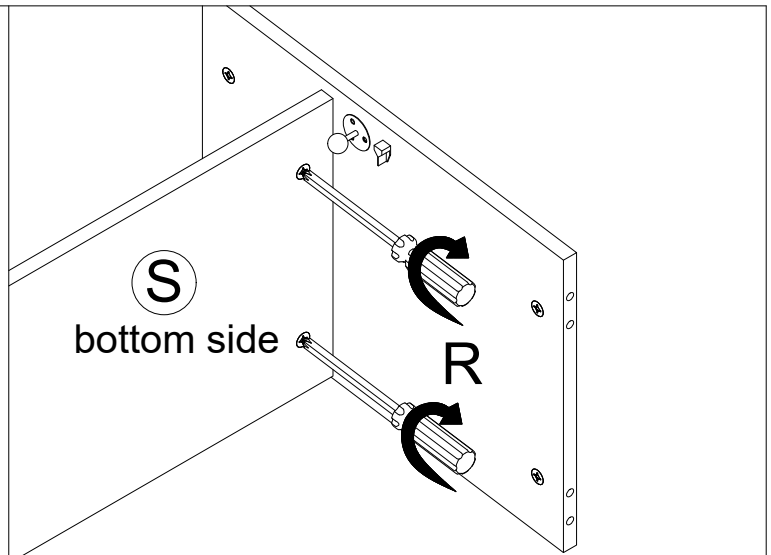
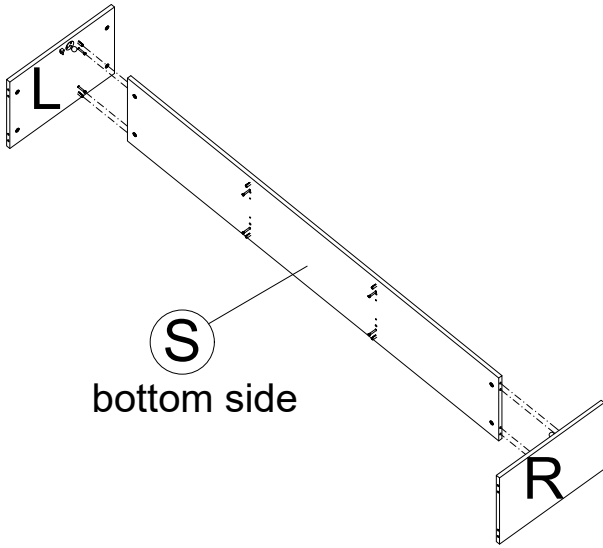
7



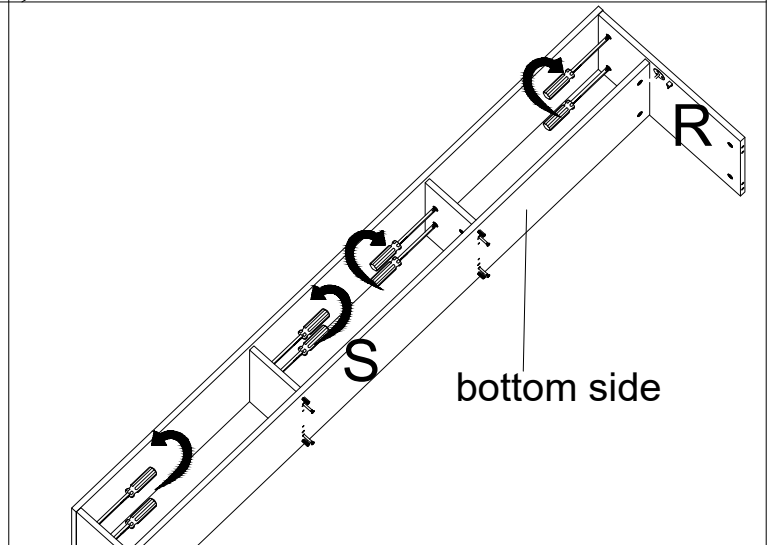
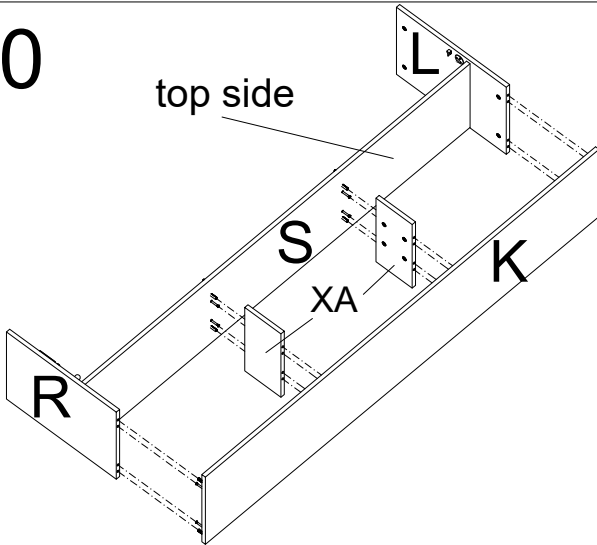
8



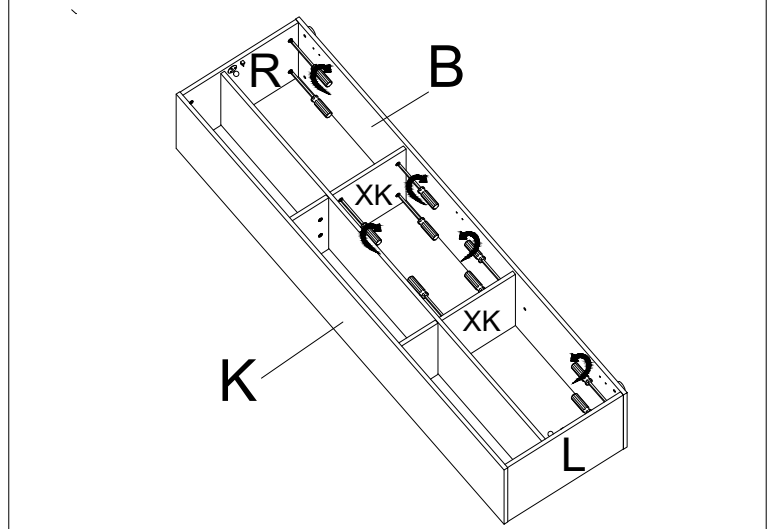
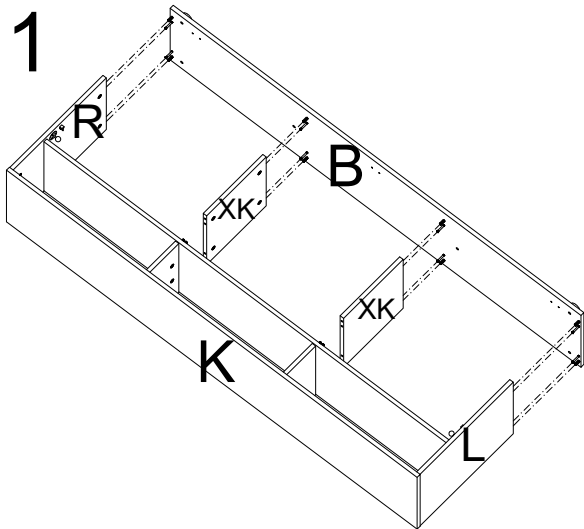
9



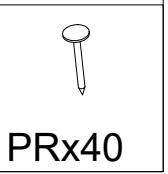
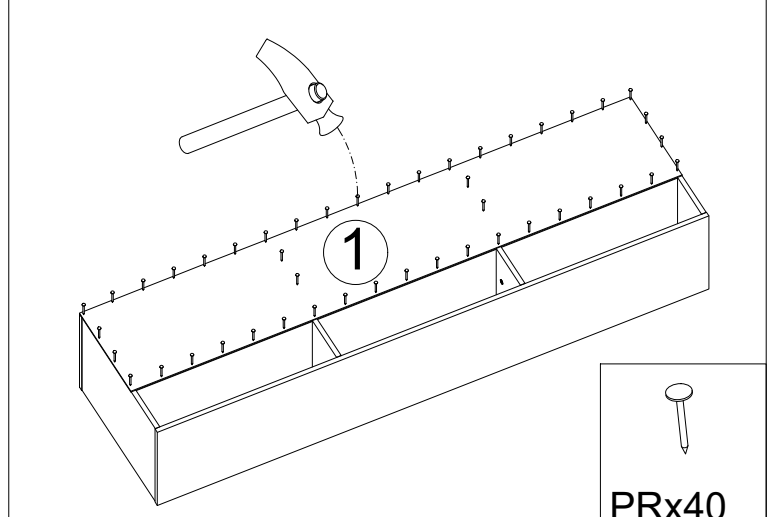
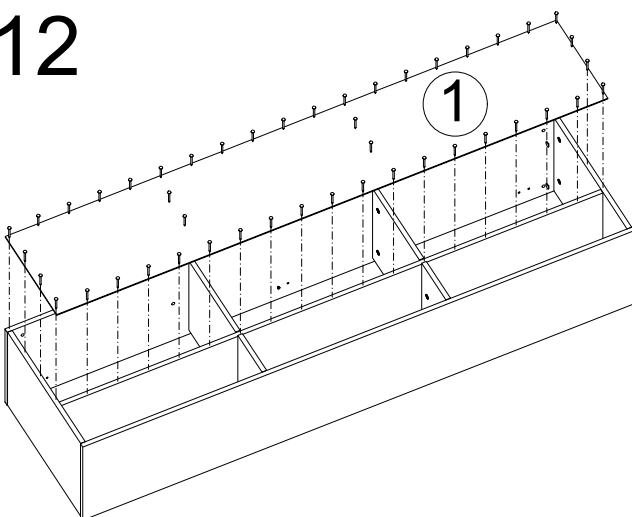
10



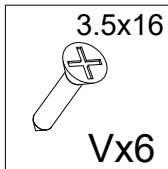
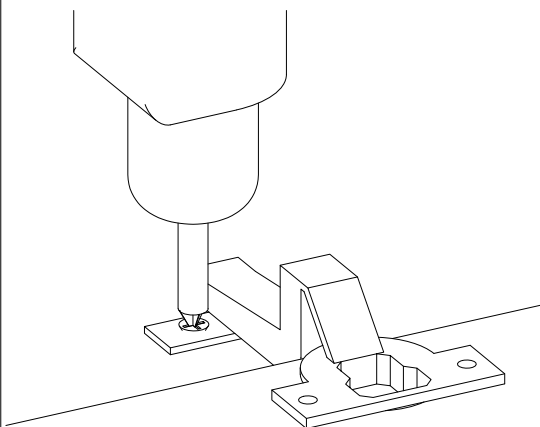
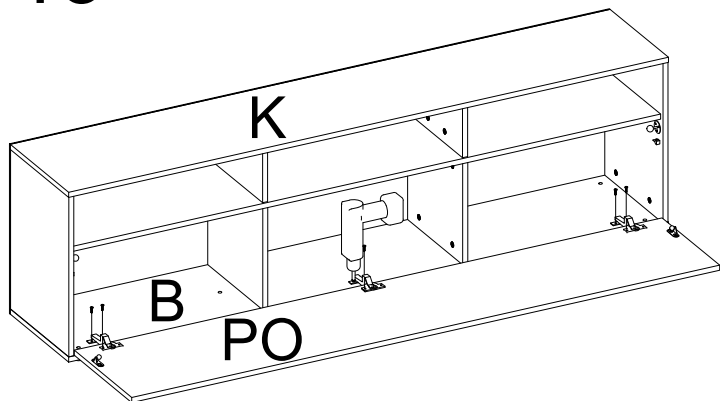
11



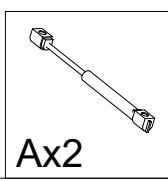
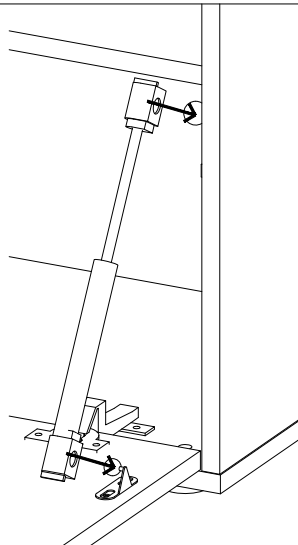
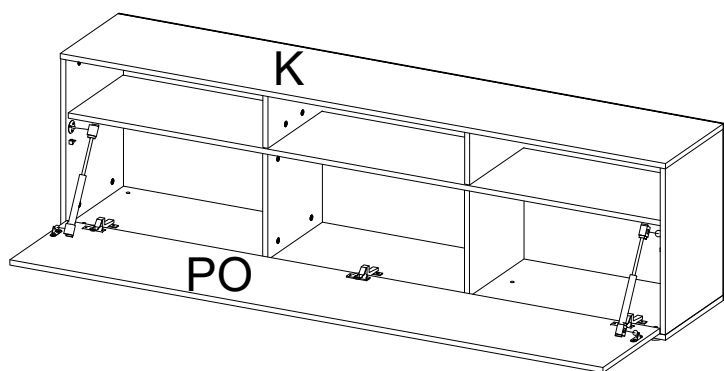
12



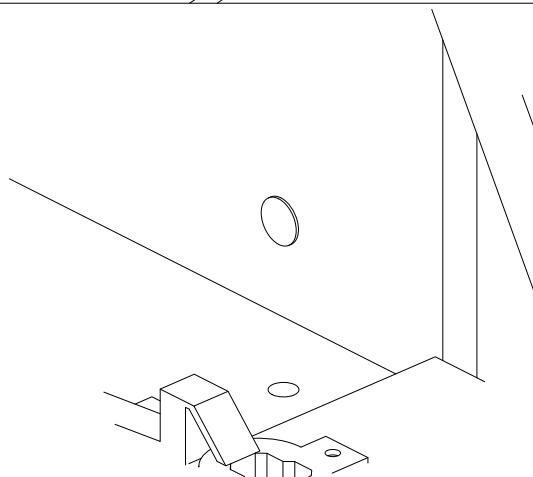
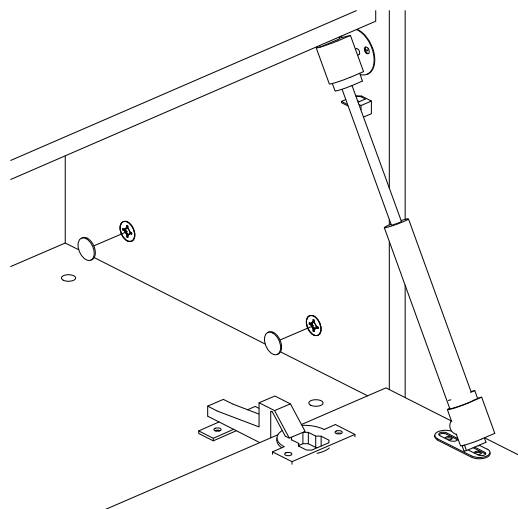
13



14



15



COVER ALL HOLES

